

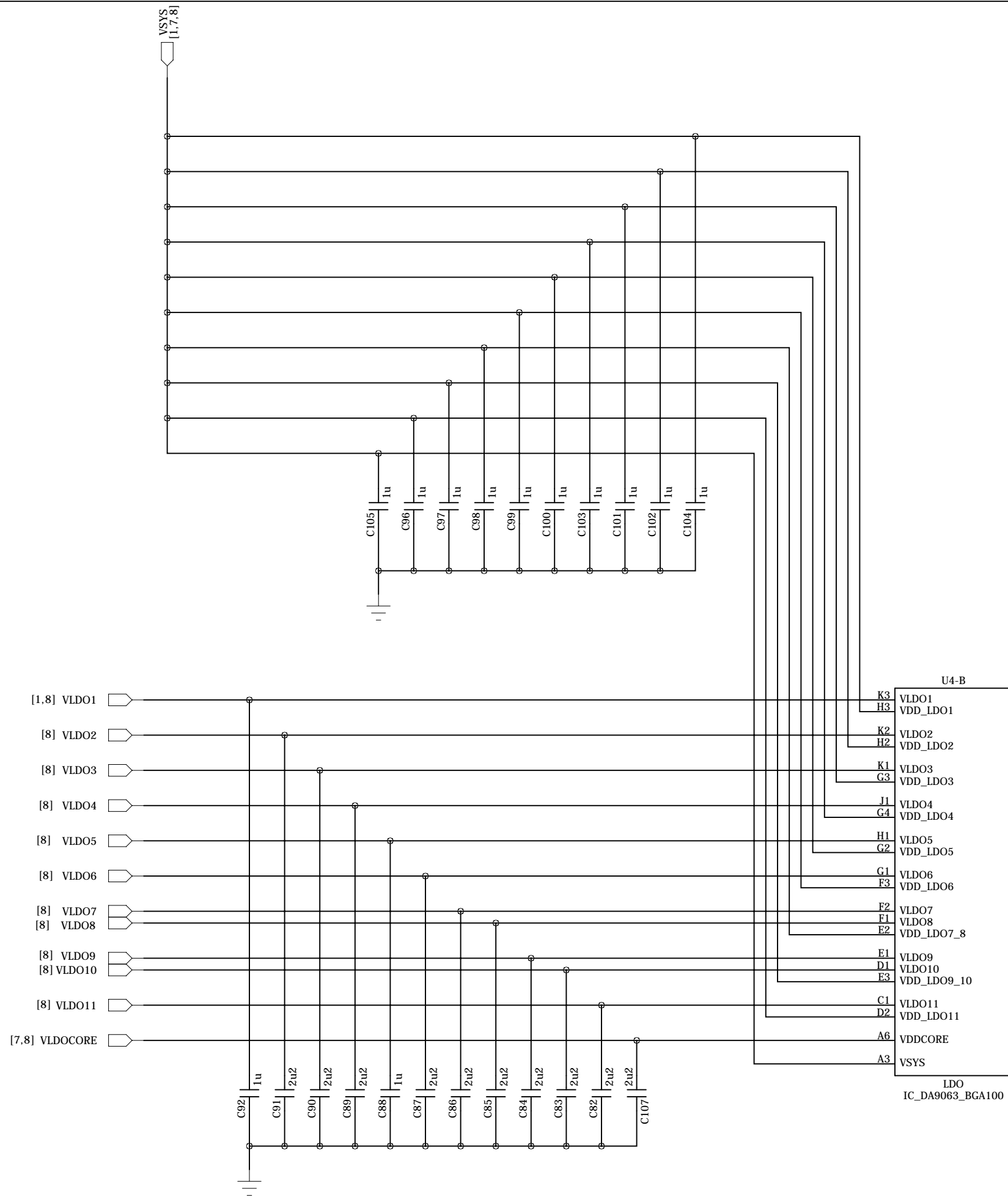
SCHEMATIC TEMPLATE REV PA2 (November 30, 2011) DIALOG DOCUMENT NUMBER 31-902-03

CONFIDENTIAL INFORMATION

PREPARED: MM	DATED: 19/03/2013
RESPONSIBLE: MM	DATED: 19/03/2013

TITLE: Hippo + 2 x Nero eval board	
DRAWING NO: 44-179-176-06-B	REV: B
SHEET NAME: HIPPO_BUCKS	

	PAGE: 1 OF 12
--	-------------------------

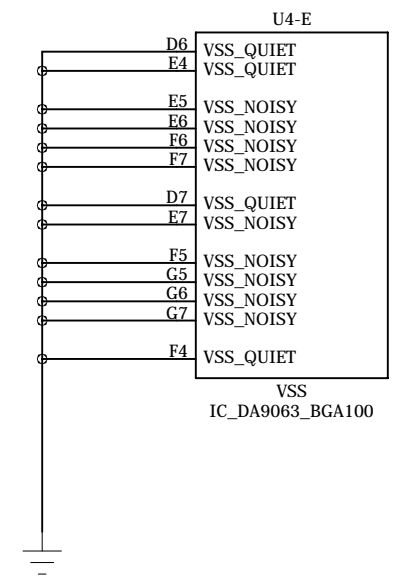
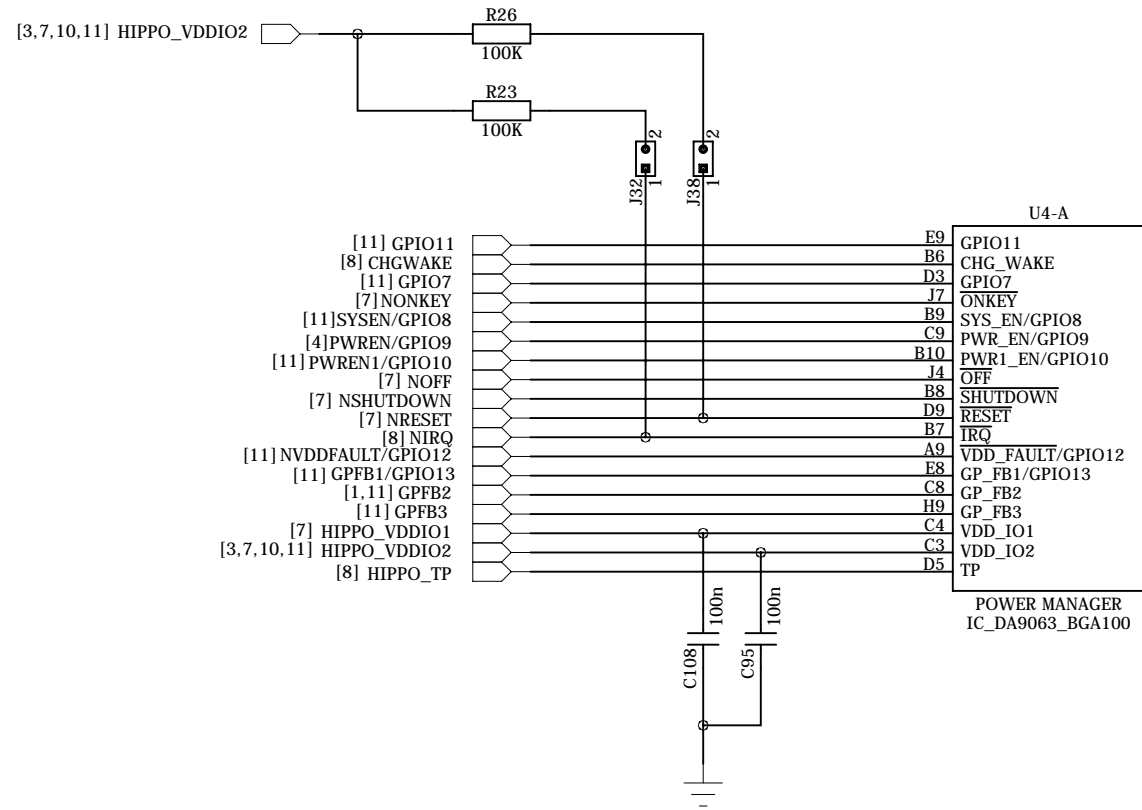
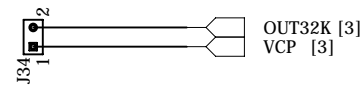
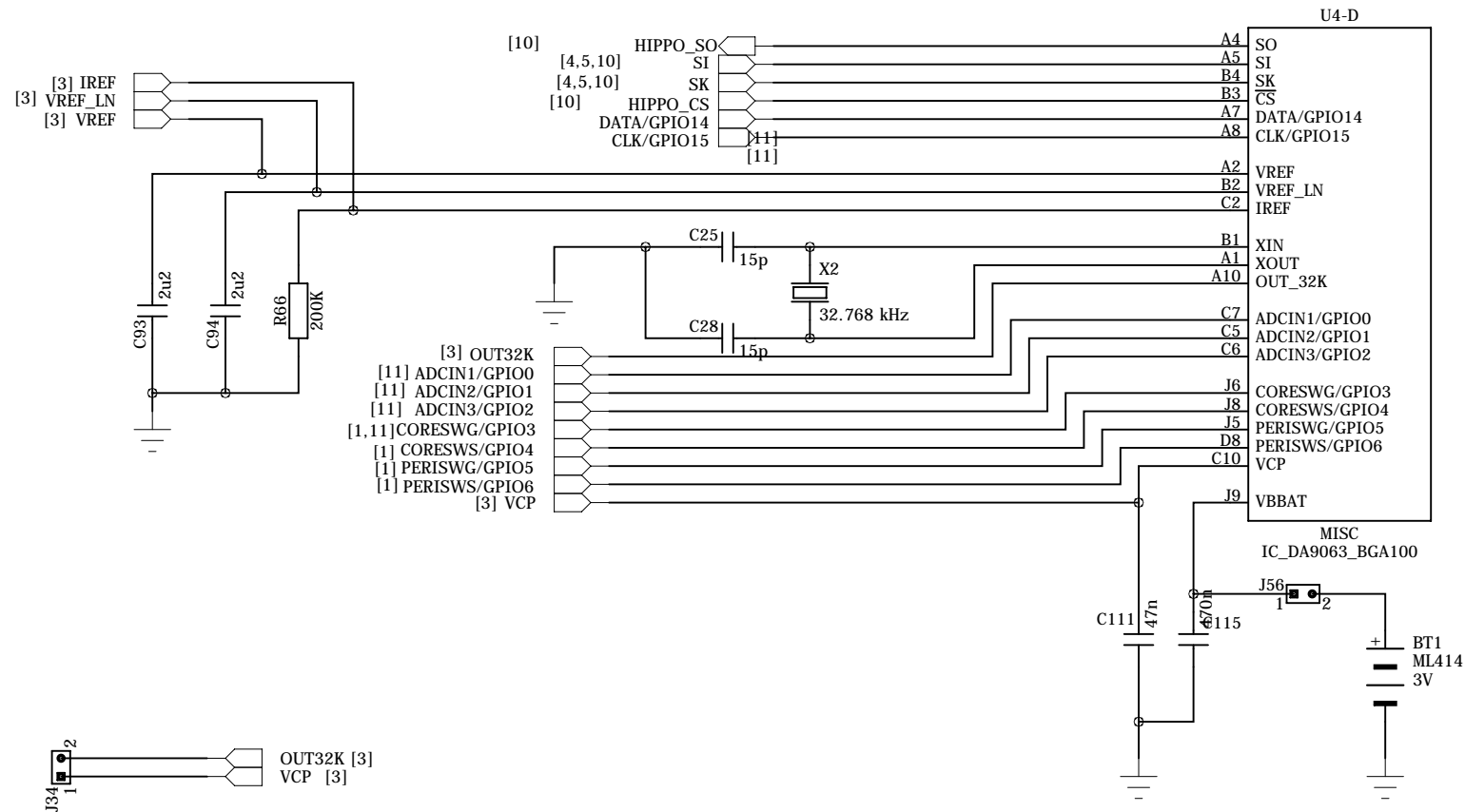
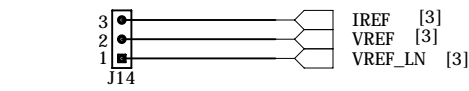


SCHMATIC TEMPLATE REV PA2 (November 30, 2011) DIALOG DOCUMENT NUMBER 31-902-03

CONFIDENTIAL INFORMATION

PREPARED: MM	DATED: 19/03/2013
RESPONSIBLE: MM	DATED: 19/03/2013

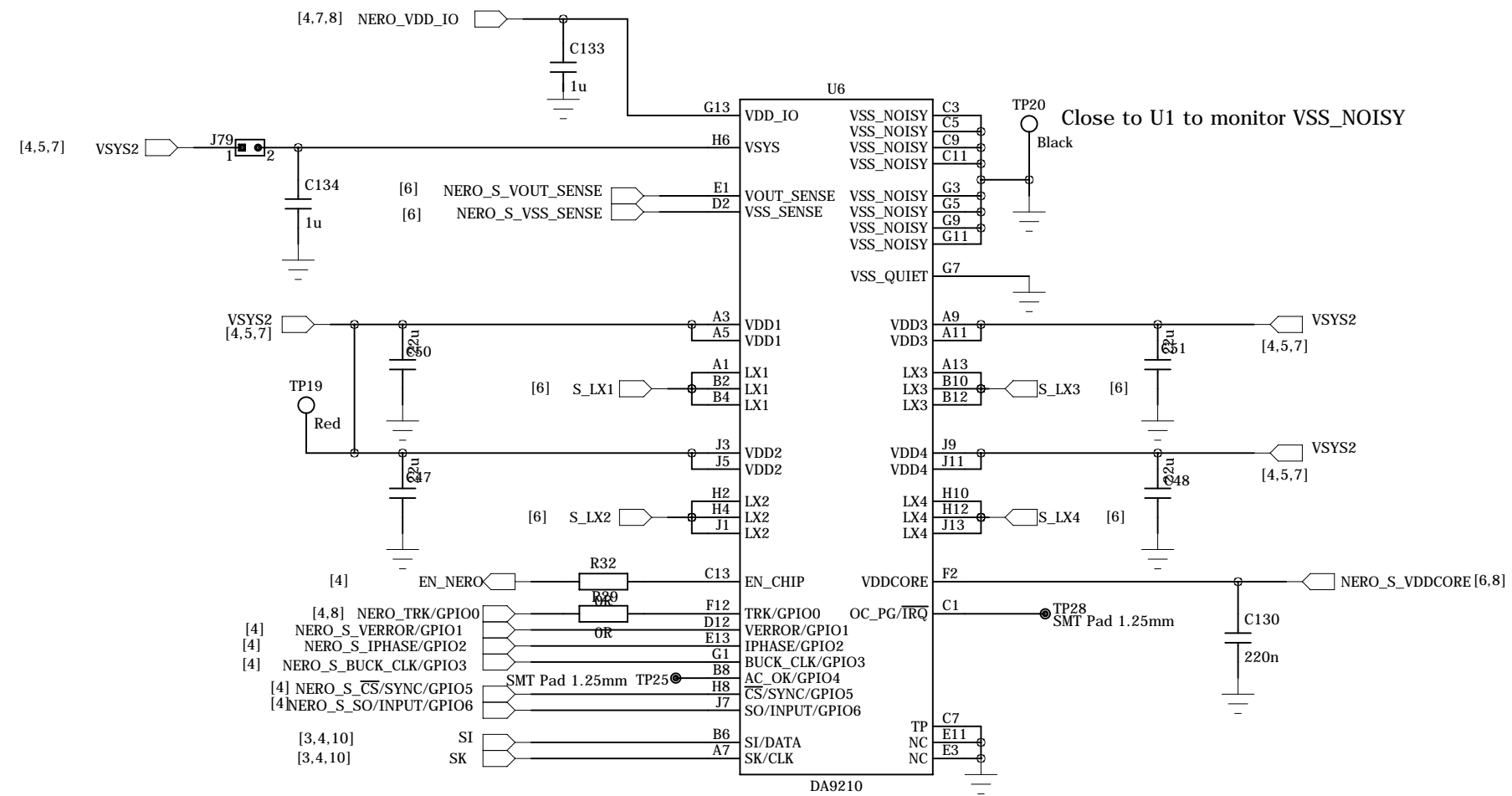
TITLE: Hippo + 2 x Nero eval board	
DRAWING NO: 44-179-176-06-B	REV: B
SHEET NAME: HIPPO_LDOS	




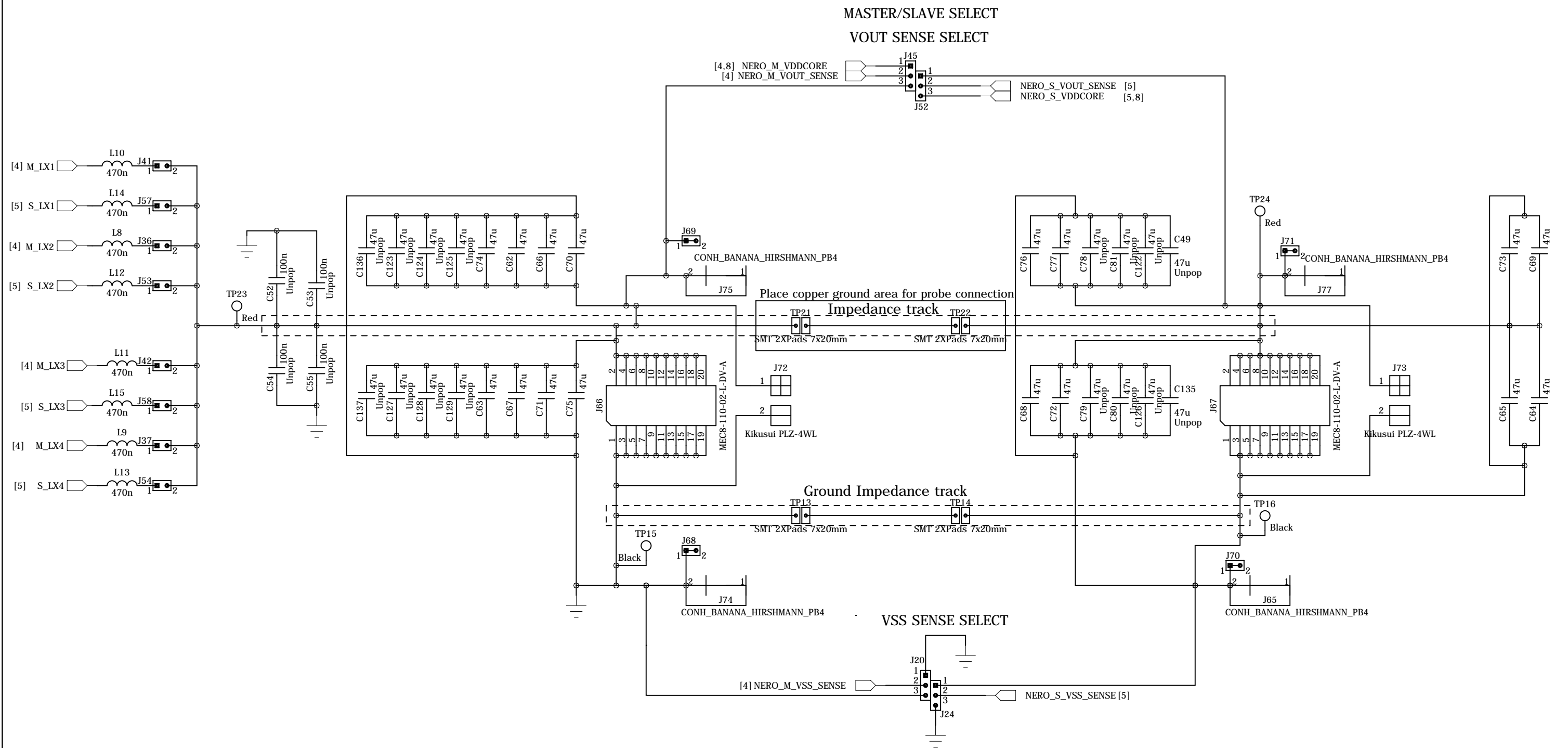
SCHEMATIC TEMPLATE REV PA2 (November 30, 2011) DIALOG DOCUMENT NUMBER 31-902-03

CONFIDENTIAL INFORMATION		TITLE: Hippo + 2 x Nero eval board	
PREPARED: MM	DATED: 19/03/2013	DRAWING NO: 44-179-176-06-B	REV: B
RESPONSIBLE: MM	DATED: 19/03/2013	SHEET NAME: HIPPO_DIGITAL	PAGE: 3 OF 12





CONFIDENTIAL INFORMATION		TITLE: Hippo + 2 x Nero eval board		
PREPARED: MM	DATED: 19/03/2013	DRAWING NO: 44-179-176-06-B	REV: B	
RESPONSIBLE: MM	DATED: 19/03/2013	SHEET NAME: NERO_SLAVE	PAGE: 5 OF 12	

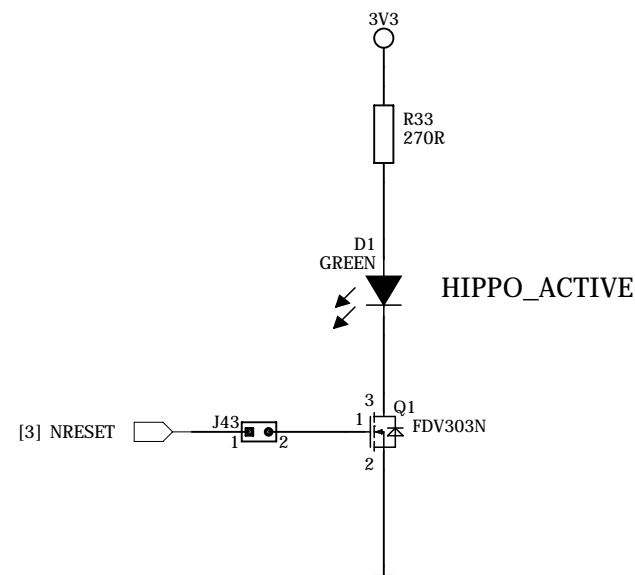
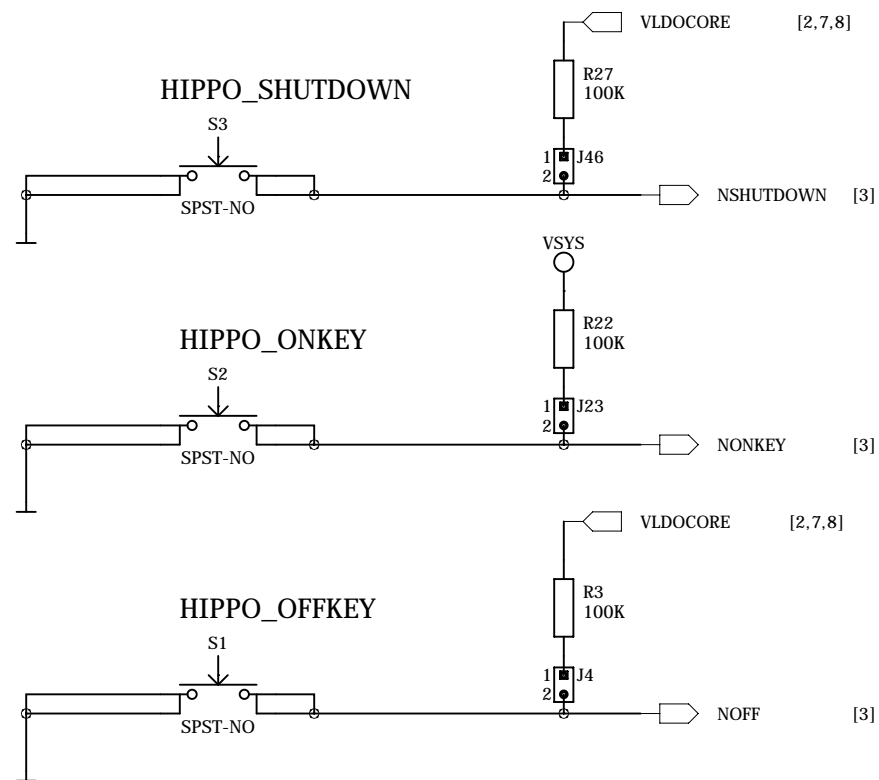
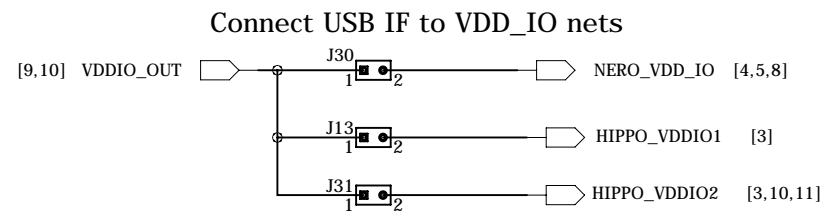
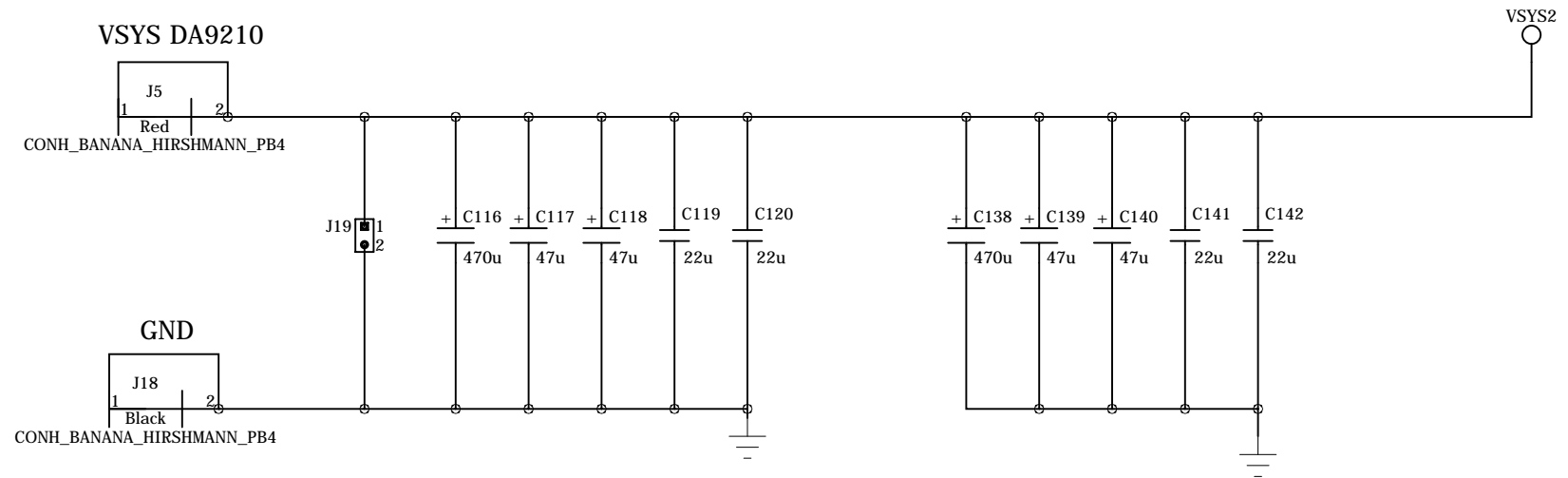
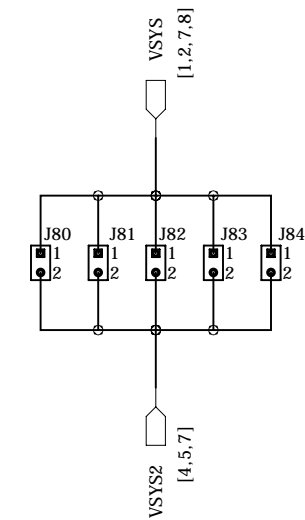
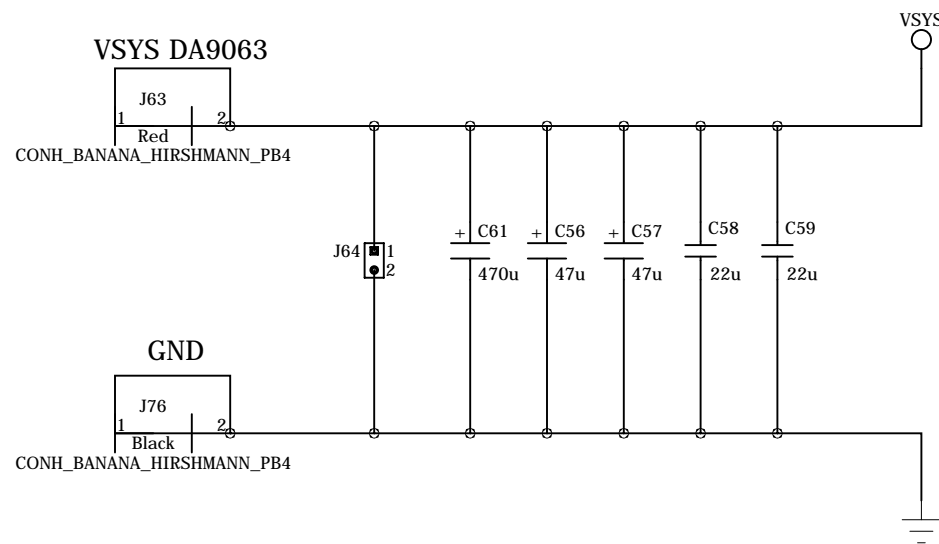


CONFIDENTIAL INFORMATION

PREPARED: MM	DATED: 19/03/2013
RESPONSIBLE: MM	DATED: 19/03/2013

TITLE: Hippo + 2 x Nero eval board	
DRAWING NO: 44-179-176-06-B	REV: B
SHEET NAME: NERO_BUCK_OUTPUT	





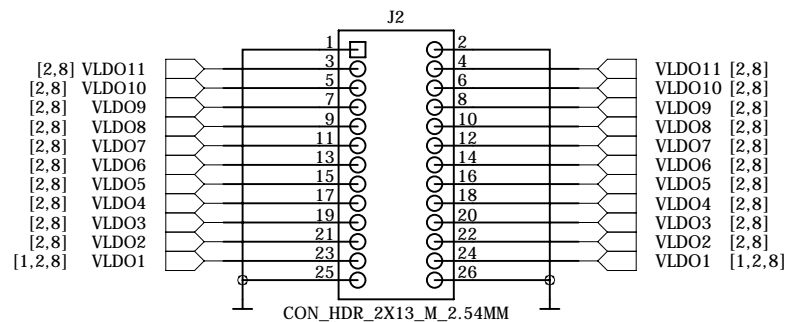
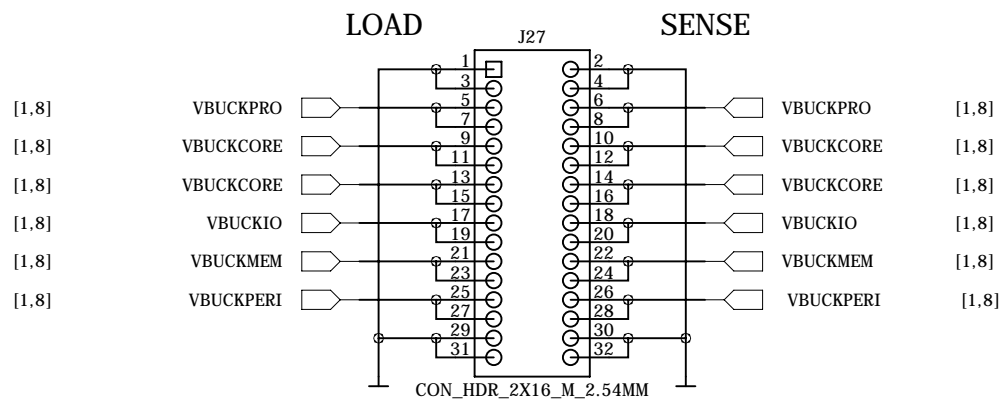
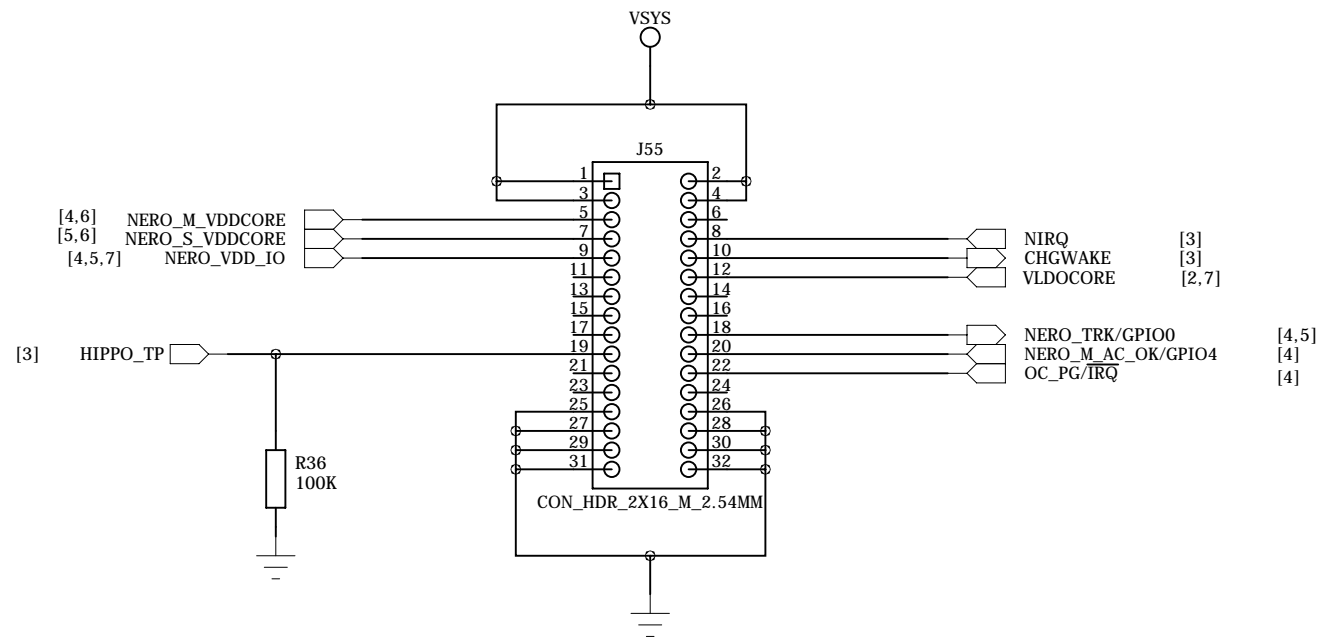
SCHMATIC TEMPLATE REV PA2 (November 30, 2011) DIALOG DOCUMENT NUMBER 31-902-03

CONFIDENTIAL INFORMATION

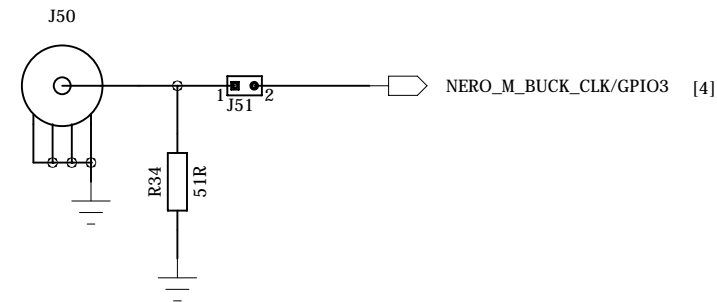
PREPARED: MM	DATED: 19/03/2013
RESPONSIBLE: MM	DATED: 19/03/2013

TITLE: Hippo + 2 x Nero eval board	
DRAWING NO: 44-179-176-06-B	REV: B
SHEET NAME: POWER_IO	

Signal header

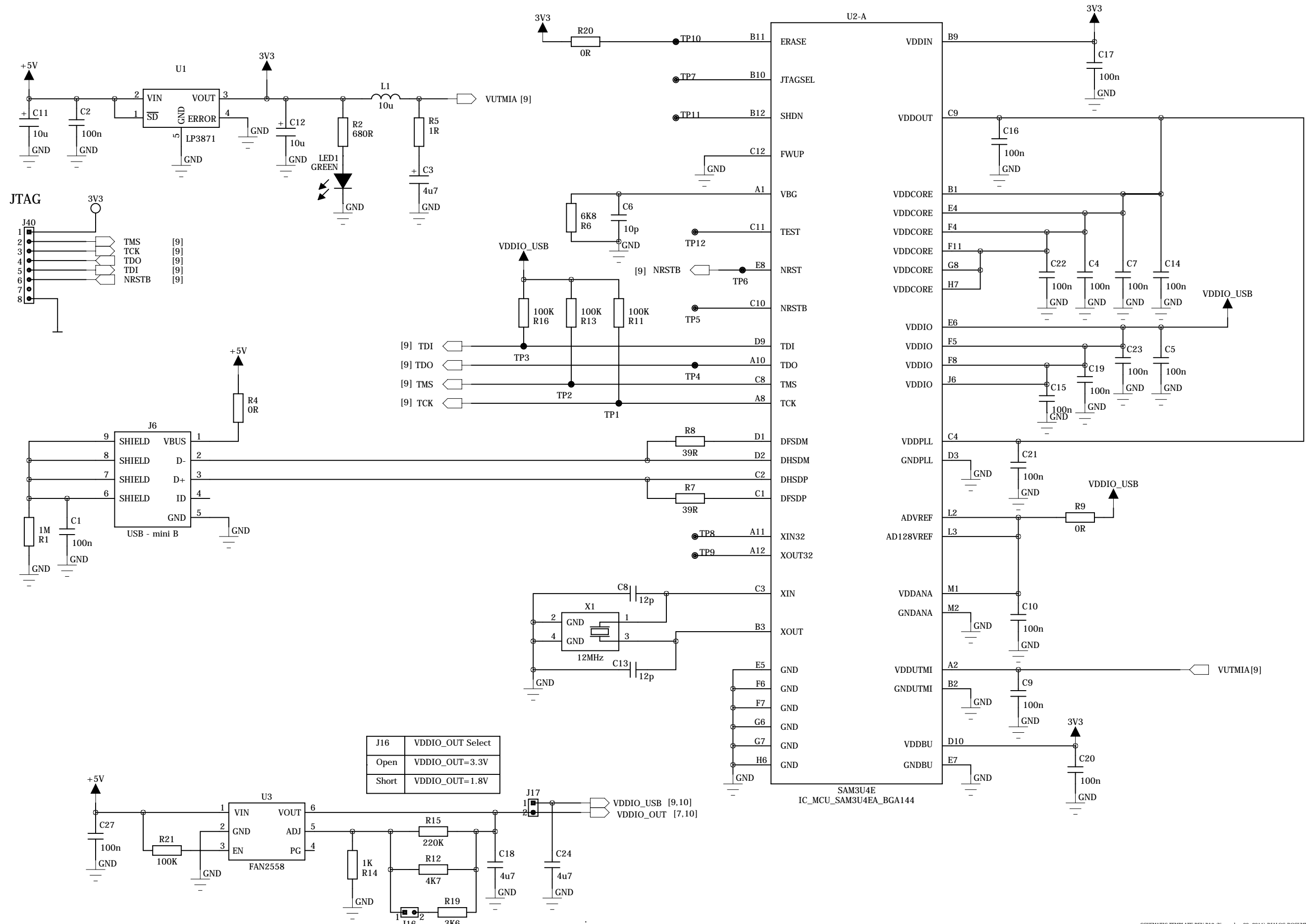


BUCK clock IN



SCHMATIC TEMPLATE REV PAZ (November 30, 2011) DIALOG DOCUMENT NUMBER 31-902-03

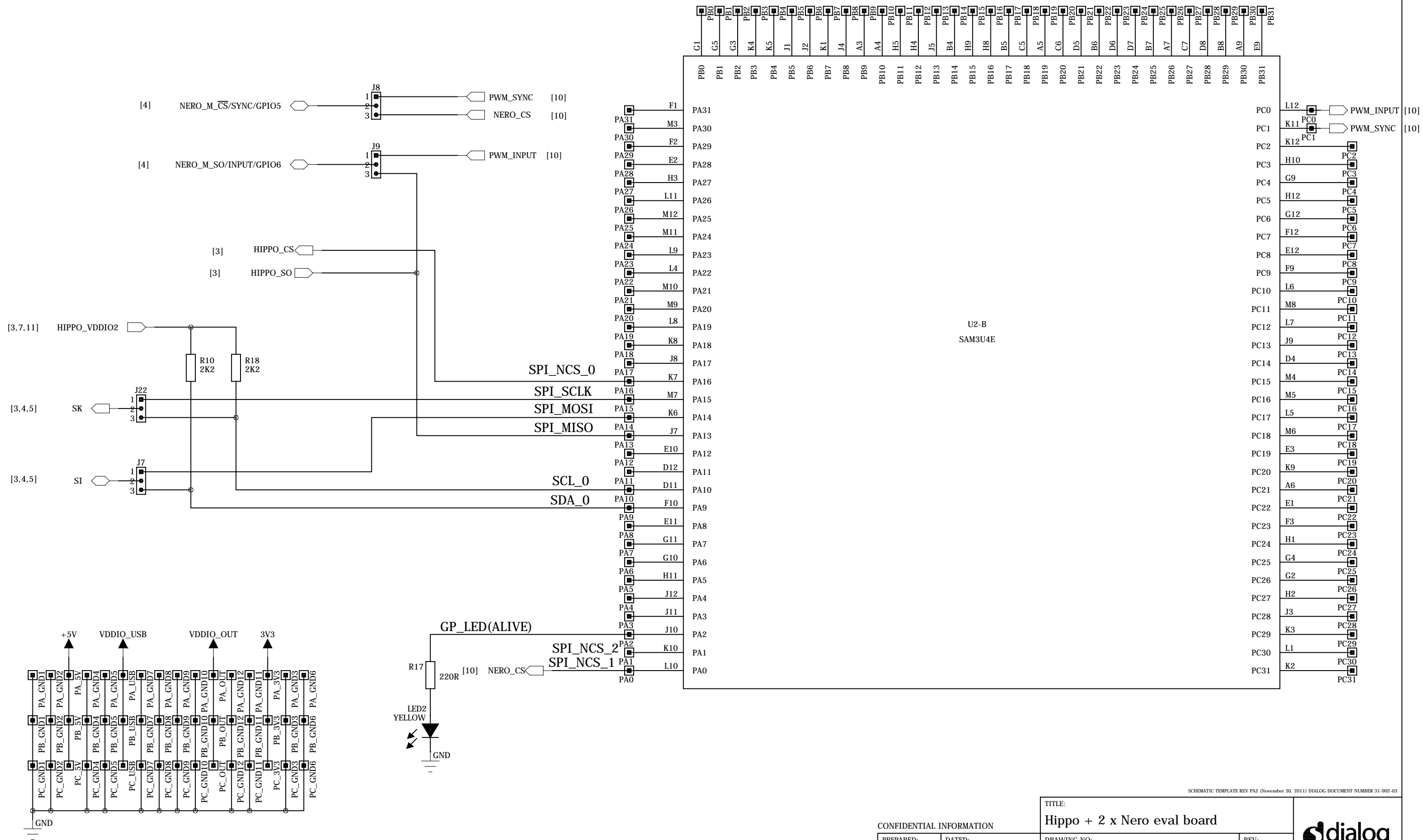
CONFIDENTIAL INFORMATION		TITLE: Hippo + 2 x Nero eval board		
PREPARED: MM	DATED: 19/03/2013	DRAWING NO: 44-179-176-06-B	REV: B	
RESPONSIBLE: MM	DATED: 19/03/2013	SHEET NAME: HEADERS		PAGE: 8 OF 12



SCHEMATIC TEMPLATE REV PA2 (November 30, 2011) DIALOG DOCUMENT NUMBER 31-902-03

CONFIDENTIAL INFORMATION		TITLE: Hippo + 2 x Nero eval board	
PREPARED: MM	DATED: 19/03/2013	DRAWING NO: 44-179-176-06-B	REV: B
RESPONSIBLE: MM	DATED: 19/03/2013	SHEET NAME: USB_IF	PAGE: 9 OF 12





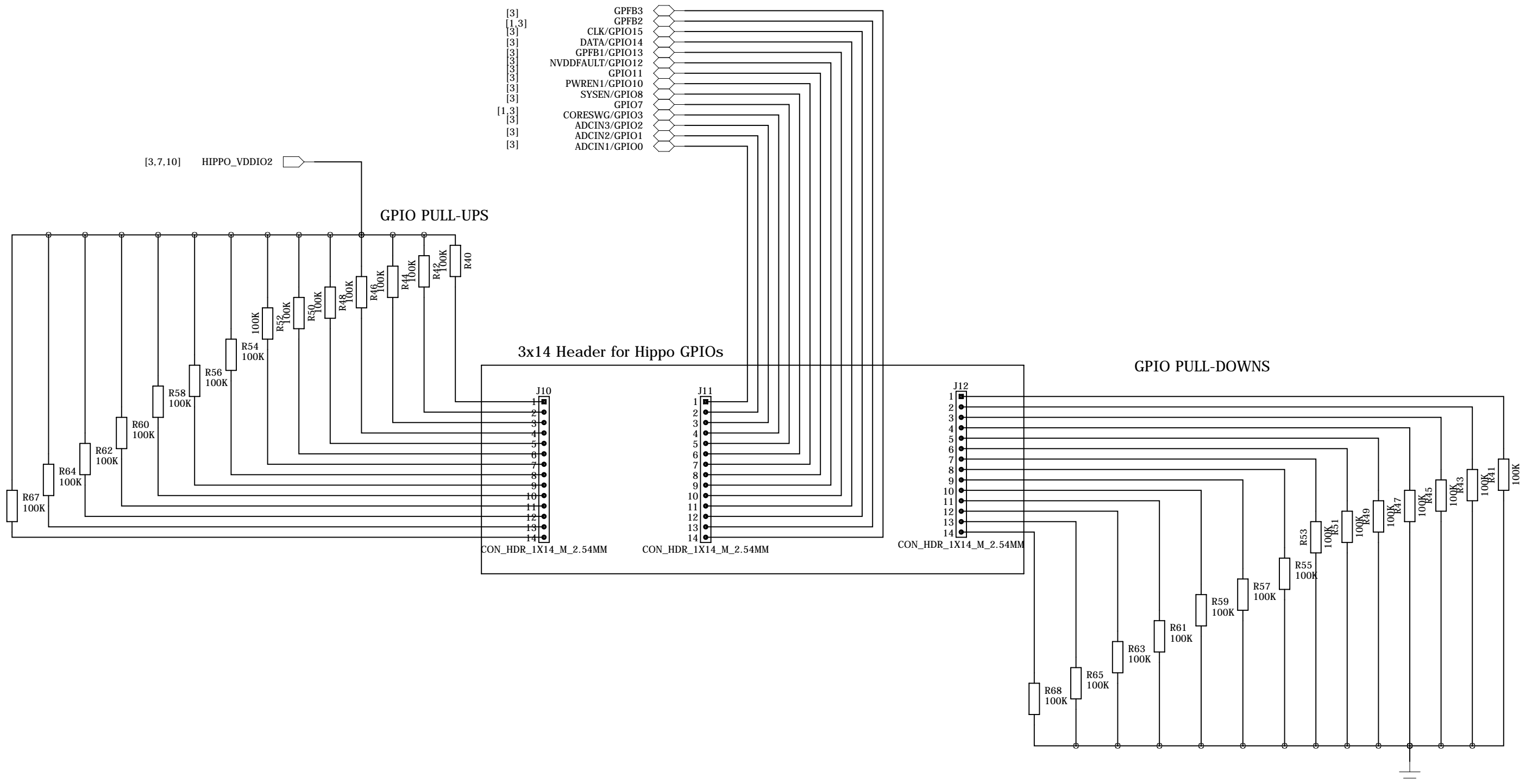
SCHMATIC TEMPLATE REV PA2 (November 30, 2011) DIALOG DOCUMENT NUMBER 31-902-03

CONFIDENTIAL INFORMATION

PREPARED: MM	DATED: 19/03/2013
RESPONSIBLE: MM	DATED: 19/03/2013

TITLE: Hippo + 2 x Nero eval board	
DRAWING NO: 44-179-176-06-B	REV: B
SHEET NAME: USB_LEVEL_SHIFTER	

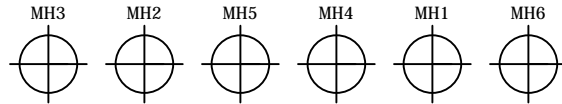
	PAGE: 10 OF 12
--	--------------------------





SCHMATIC TEMPLATE REV PA2 (November 30, 2011) DIALOG DOCUMENT NUMBER 31-902-03


CONFIDENTIAL INFORMATION		TITLE: Hippo + 2 x Nero eval board		
PREPARED: MM	DATED: 19/03/2013	DRAWING NO: 44-179-176-06-B	REV: B	
RESPONSIBLE: MM	DATED: 19/03/2013	SHEET NAME: HIPPO_GPIO		PAGE: 11 OF 12


REV	DATE	ENGINEER	NOTES
B	19 March 2013	MV/MM	Initial version based on 44-179-176-06-A.





MSC7

MISC_SPACER_HEX_STEM_M3_10MM
Mates (bottomside) with MSC1 (topside) at position MH1

MSC10

MISC_SPACER_HEX_STEM_M3_10MM
Mates (bottomside) with MSC4 (topside) at position H4

MSC8

MISC_SPACER_HEX_STEM_M3_10MM
Mates (bottomside) with MSC2 (topside) at position MH2

MSC11

MISC_SPACER_HEX_STEM_M3_10MM
Mates (bottomside) with MSC5 (topside) at position MH5

MSC9

MISC_SPACER_HEX_STEM_M3_10MM
Mates (bottomside) with MSC3 (topside) at position MH3

MSC12

MISC_SPACER_HEX_STEM_M3_10MM
Mates (bottomside) with MSC6 (topside) at position MH6

MSC1

MISC_SPACER_HEX_M3_5MM
Mates (topside) with MSC7 (bottomside) at position MH1

MSC4

MISC_SPACER_HEX_M3_5MM
Mates (topside) with MSC10 (bottomside) at position MH4

MSC2

MISC_SPACER_HEX_M3_5MM
Mates (topside) with MSC8 (bottomside) at position MH2

MSC5

MISC_SPACER_HEX_M3_5MM
Mates (topside) with MSC11 (bottomside) at position MH5

MSC3

MISC_SPACER_HEX_M3_5MM
Mates (topside) with MSC9 (bottomside) at position MH3

MSC6

MISC_SPACER_HEX_M3_5MM
Mates (topside) with MSC12 (bottomside) at position MH6

SCHEMATIC TEMPLATE REV PA2 (November 30, 2011) DIALOG DOCUMENT NUMBER 31-902-03

CONFIDENTIAL INFORMATION		TITLE: Hippo + 2 x Nero eval board	
PREPARED: MM	DATED: 19/03/2013	DRAWING NO: 44-179-176-06-B	REV: B
RESPONSIBLE: MM	DATED: 19/03/2013	SHEET NAME: REVISION	PAGE: 12 OF 12

