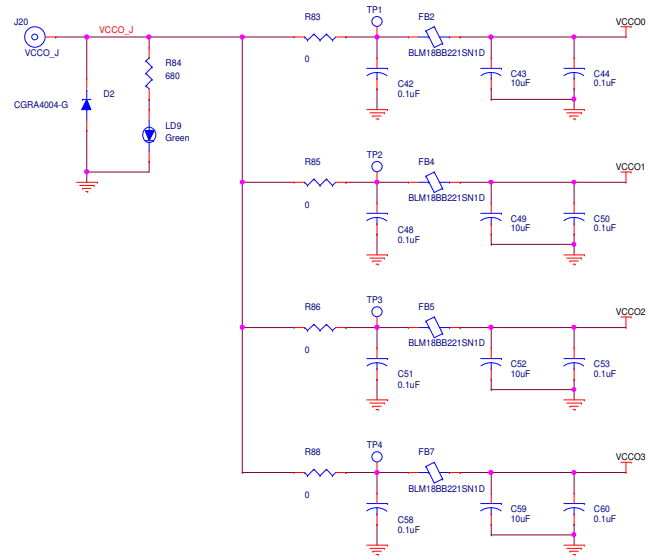
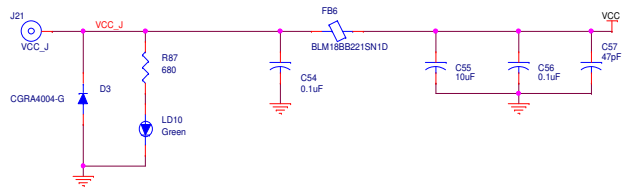
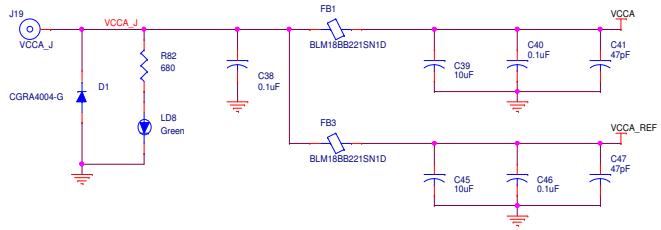


Title		8149N24x EVB Schematic	
Size	Document Number	Rev A	
C	<Doc>		
Date:	Monday, June 29, 2015	Sheet	2 of 3



Title		
8T49N24x EVB Schematic		
Size	Document Number	Rev
C	<Doc>	A
Date:	Monday, June 29, 2015	Sheet 3 of 3