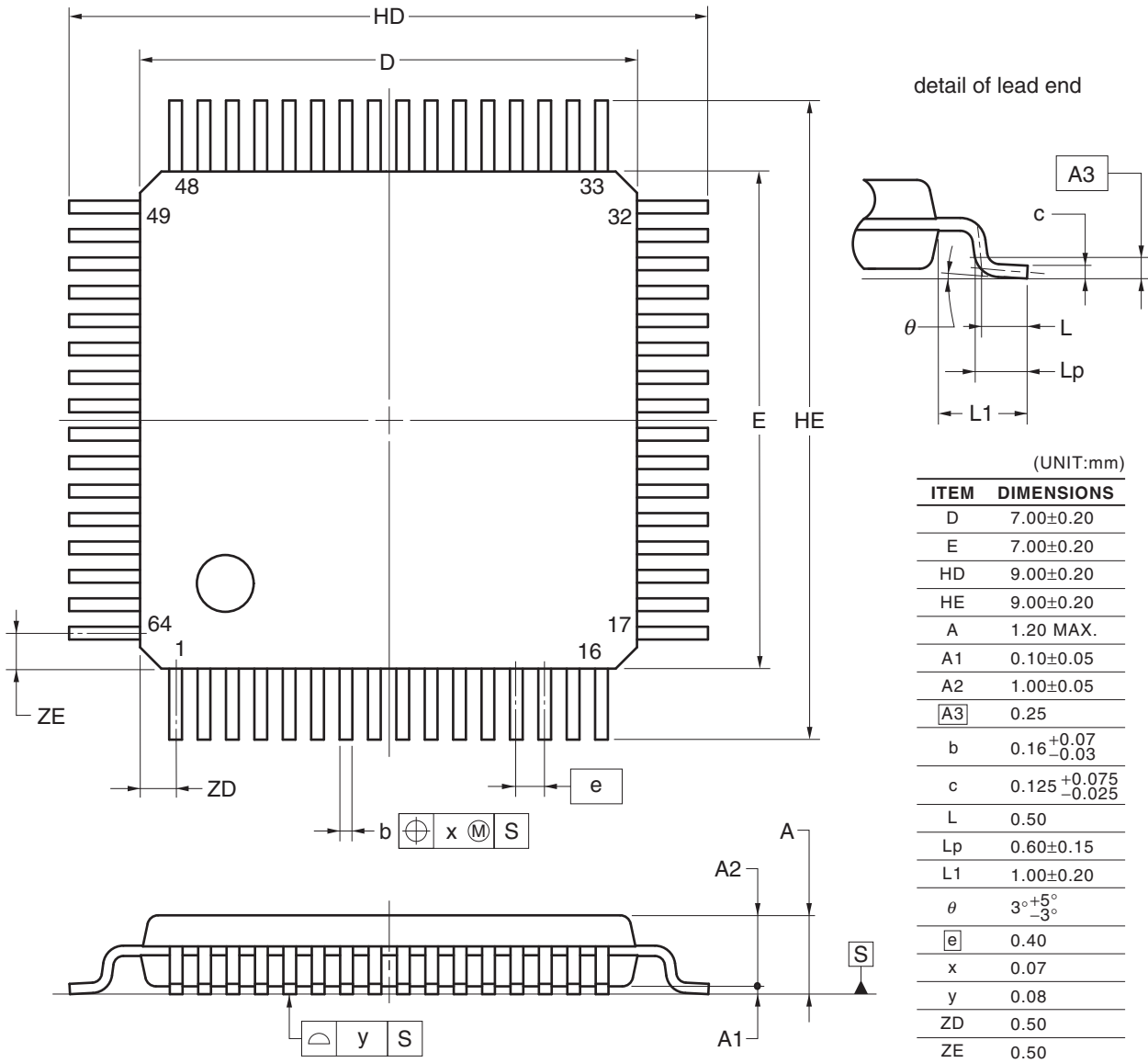


JEITA Package Code	RENESAS Code	Previous Code	MASS (TYP.) [g]
P-TFQFP64-7x7-0.40	PTQP0064LC-B	P64GA-40-HAB-2	0.14



**NOTE**  
Each lead centerline is located within 0.07mm of its true position at maximum material condition.