

1 2 3 4 5 6 7 8 9

REV	COMMENT	DATE	DRAWN BY
1.00	Release	06/03/2013	MARIEN IFURA

A

A

B

B

RPBRL78L12 PROMOTIONAL BOARD SCHEMATICS

PAGE	DESCRIPTION
1	INDEX
2	RL78/L12 MICROCONTROLLER (64-PIN)
3	LCD PANEL USER SWITCHES, USER LEDS, POWER LED
4	78K0 USB
5	E1 EMULATOR POWER SUPPLY

C

C

D

D

E

E

NOTE:

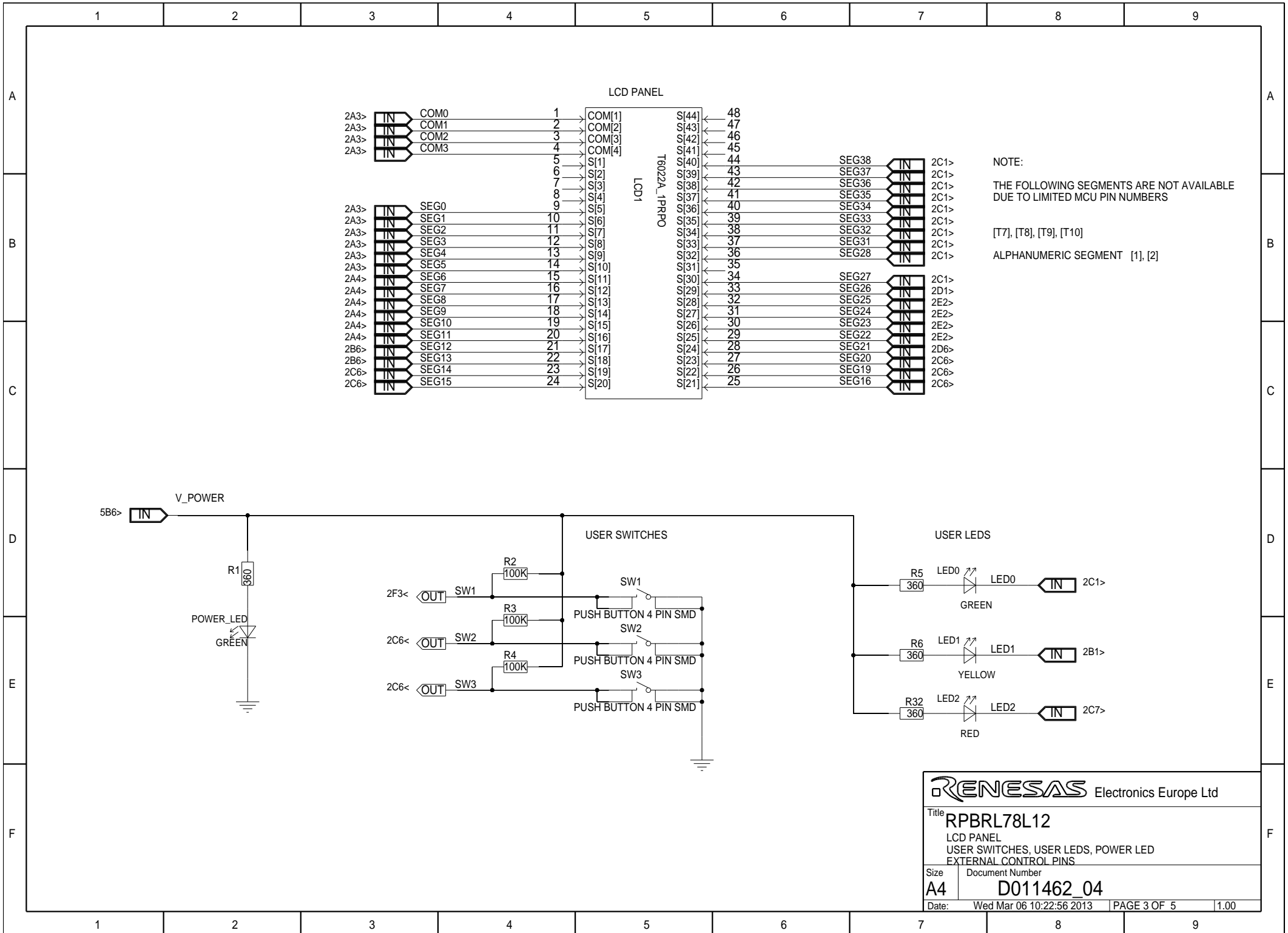
- R: RESISTOR
- C: CAPACITOR
- IC: INTEGRATED CIRCUIT
- X: CRYSTAL
- LED: LIGHT EMITTING DIODE
- CN: CONNECTOR
- SW: SWITCH
- DNF: DO NOT FIT (NOT FITTED BY DEFAULT)

F

F

Title	RPBRL78L12 INDEX
Size	Document Number
A4	D011462_04
Date:	Wed Mar 06 10:24:46 2013 PAGE 1 OF 5 1.00

1 2 3 4 5 6 7 8 9



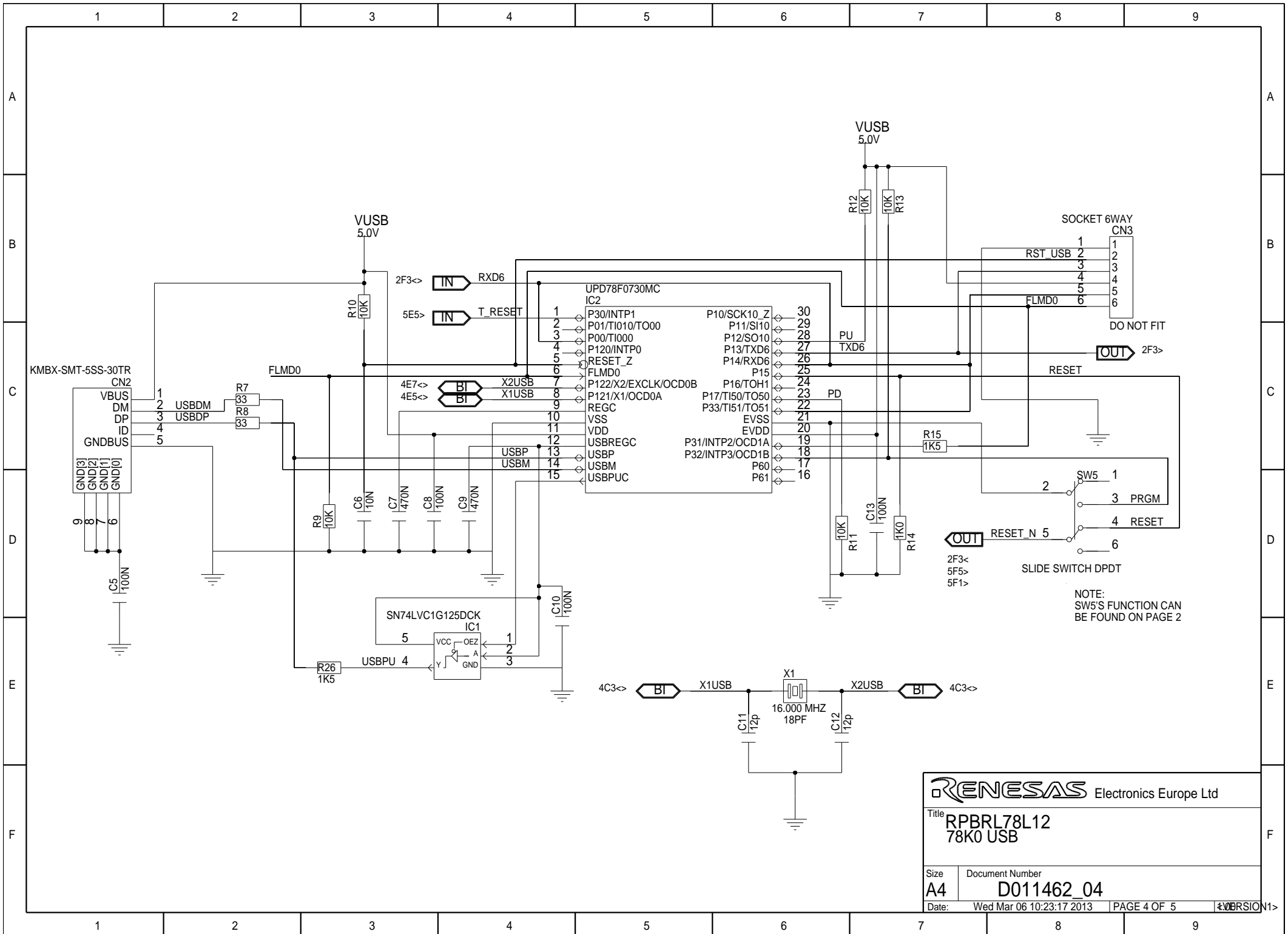
NOTE:
 THE FOLLOWING SEGMENTS ARE NOT AVAILABLE
 DUE TO LIMITED MCU PIN NUMBERS
 [T7], [T8], [T9], [T10]
 ALPHANUMERIC SEGMENT [1], [2]

RENESAS Electronics Europe Ltd

Title: **RPBRL78L12**
 LCD PANEL
 USER SWITCHES, USER LEADS, POWER LED
 EXTERNAL CONTROL PINS

Size: **A4** | Document Number: **D011462_04**

Date: Wed Mar 06 10:22:56 2013 | PAGE 3 OF 5 | 1.00



RENESAS Electronics Europe Ltd

Title: RPBRL78L12
78K0 USB

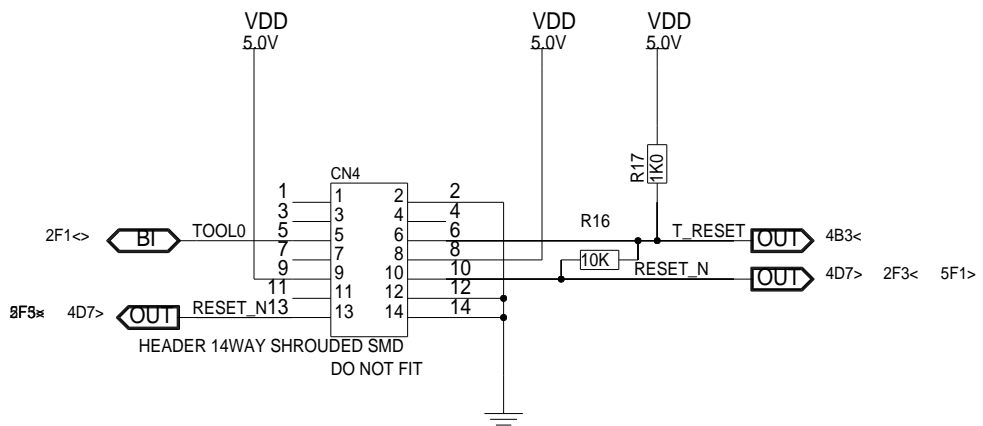
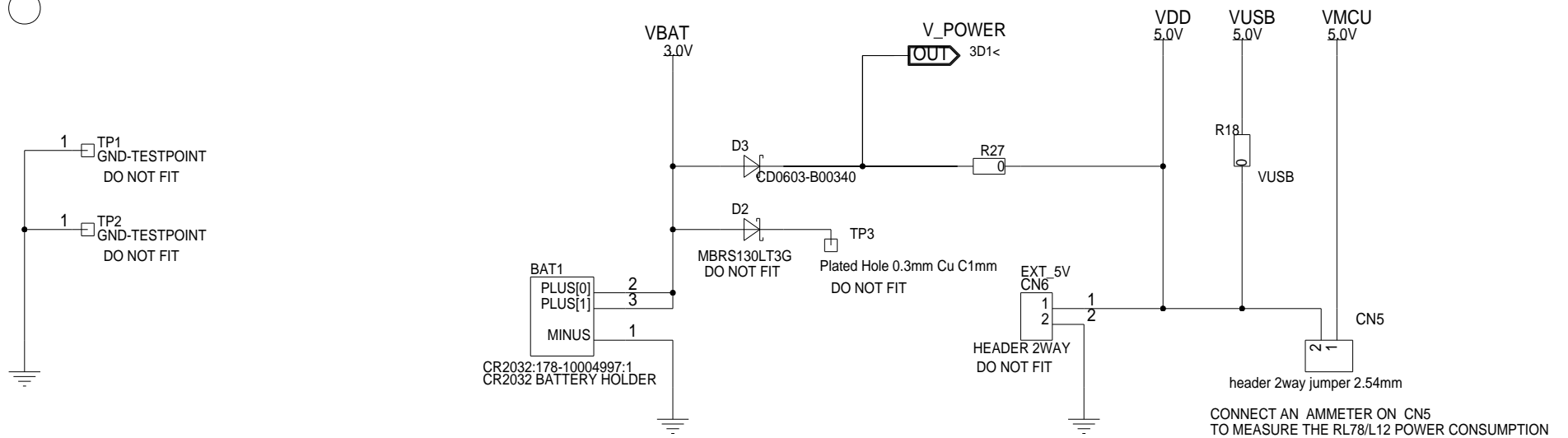
Size	Document Number
A4	D011462_04
Date:	Wed Mar 06 10:23:17 2013

PAGE 4 OF 5

- RUBBER FOOT D=11.1MM/H=5MM BLACK MP1
- RUBBER FOOT D=11.1MM/H=5MM BLACK MP2
- RUBBER FOOT D=11.1MM/H=5MM BLACK MP3
- RUBBER FOOT D=11.1MM/H=5MM BLACK MP4

- 1 TP4 FIDUCIAL_1MM
- 1 TP5 FIDUCIAL_1MM
- 1 TP6 FIDUCIAL_1MM
- 1 TP7 FIDUCIAL_1MM

NOTE:
REMOVE R18 IF POWER IS TO BE SUPPLIED FROM CN6 (EXT_5V)



RENESAS Electronics Europe Ltd

Title
RPBRL78L12
E1 EMULATOR
POWER SUPPLY

Size Document Number
A4 D011462_04

Date: Wed Mar 06 16:18:18 2013 | PAGE 5 OF 5 | 1.00