

ISLA212P13, ISLA212P20, ISLA212P25

12-Bit, 250MSPS/200MSPS/130MSPS ADC

FN7717  
Rev.4.0  
Jul 6, 2021

The ISLA212P is a series of low power, high performance 12-bit analog-to-digital converters. Designed with the Renesas proprietary FemtoCharge™ technology on a standard CMOS process, the series supports sampling rates of up to 250MSPS. The ISLA212P is part of a pin-compatible family of 12 to 16-bit A/Ds with maximum sample rates ranging from 130MSPS to 500MSPS.

A serial peripheral interface (SPI) port allows for extensive configurability, as well as fine control of various parameters such as gain and offset. Digital output data is presented in selectable LVDS or CMOS formats, and can be configured as full-width, single data rate (SDR) or half-width, double data rate (DDR). The ISLA212P is available in a 72-contact QFN package with an exposed paddle. Operating from a 1.8V supply, performance is specified over the full industrial temperature range (-40 °C to +85 °C).

**Key Specifications**

- SNR @ 250/200/130MSPS  
70.5/71.0/71.5dBFS  $f_{IN} = 30\text{MHz}$   
68.7/68.9/68.8dBFS  $f_{IN} = 363\text{MHz}$
- SFDR @ 250/200/130MSPS  
83/83/88dBc  $f_{IN} = 30\text{MHz}$   
78/81/85dBc  $f_{IN} = 363\text{MHz}$
- Total Power Consumption = 440mW @ 250MSPS

**Features**

- Single Supply 1.8V Operation
- Clock Duty Cycle Stabilizer
- 75fs Clock Jitter
- 700MHz Bandwidth
- Programmable Built-in Test Patterns
- Multi-ADC Support
  - SPI Programmable Fine Gain and Offset Control
  - Support for Multiple ADC Synchronization
  - Optimized Output Timing
- Nap and Sleep Modes
  - 200µs Sleep Wake-up Time
- Data Output Clock
- SDR/DDR LVDS-Compatible or LVCMOS Outputs
- Selectable Clock Divider

**Applications**

- Radar Array Processing
- Software Defined Radios
- Broadband Communications
- High-Performance Data Acquisition
- Communications Test Equipment

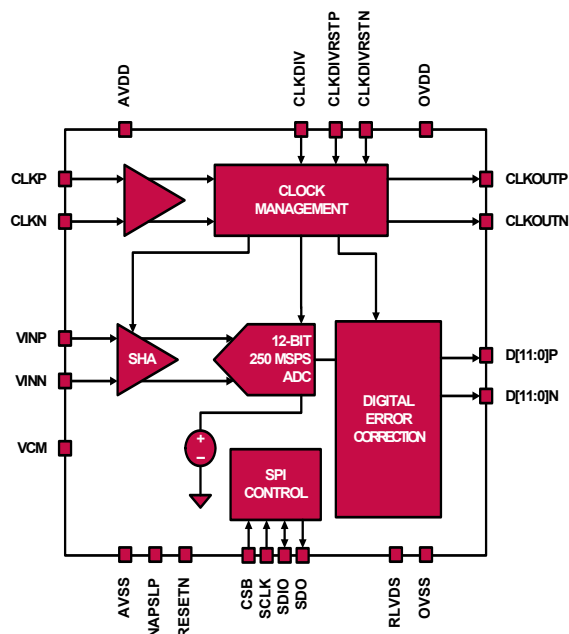


TABLE 1. PIN-COMPATIBLE FAMILY

MODEL	RESOLUTION	SPEED (MSPS)
<a href="#">ISLA216P25</a>	16	250
<a href="#">ISLA216P20</a>	16	200
<a href="#">ISLA216P13</a>	16	130
<a href="#">ISLA214P50</a>	14	500
<a href="#">ISLA214P25</a>	14	250
<a href="#">ISLA214P20</a>	14	200
<a href="#">ISLA214P13</a>	14	130
<a href="#">ISLA212P50</a>	12	500
<a href="#">ISLA212P25</a>	12	250
<a href="#">ISLA212P20</a>	12	200
<a href="#">ISLA212P13</a>	12	130

# Table of Contents

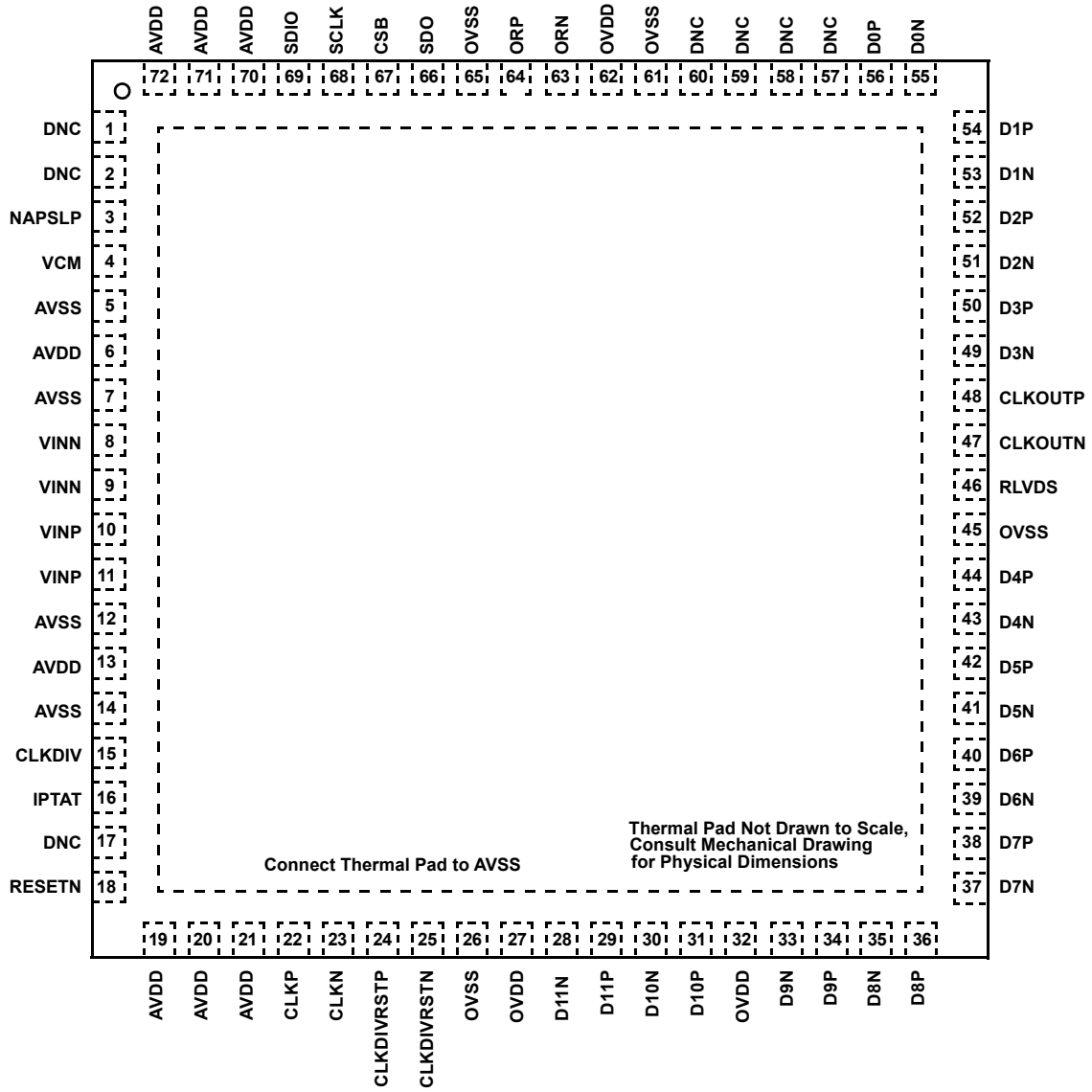
<b>Pin Configuration - LVDS MODE</b> .....	<b>4</b>
<b>Pin Descriptions - 72 Ld QFN, LVDS Mode</b> .....	<b>5</b>
<b>Pin Configuration - CMOS MODE</b> .....	<b>6</b>
<b>Pin Descriptions - 72 Ld QFN, CMOS Mode</b> .....	<b>7</b>
<b>Ordering Information</b> .....	<b>8</b>
<b>Absolute Maximum Ratings</b> .....	<b>9</b>
<b>Thermal Information</b> .....	<b>9</b>
<b>Electrical Specifications</b> .....	<b>9</b>
<b>Digital Specifications</b> .....	<b>11</b>
<b>Timing Diagrams</b> .....	<b>12</b>
<b>Switching Specifications</b> .....	<b>14</b>
<b>Typical Performance Curves</b> .....	<b>15</b>
<b>Theory of Operation</b> .....	<b>18</b>
Functional Description .....	18
Power-On Calibration.....	18
User Initiated Reset.....	19
<b>Temperature Calibration</b> .....	<b>20</b>
Analog Input.....	21
Clock Input .....	21
Jitter.....	22
Voltage Reference.....	22
Digital Outputs .....	22
Power Dissipation .....	22
Nap/Sleep.....	22
Data Format.....	23
<b>Clock Divider Synchronous Reset</b> .....	<b>23</b>
<b>Serial Peripheral Interface</b> .....	<b>26</b>
SPI Physical Interface .....	26
SPI Configuration.....	26
Device Information .....	27
Device Configuration/Control.....	27
Global Device Configuration/Control .....	28
Digital Temperature Sensor .....	29
<b>SPI Memory Map</b> .....	<b>30</b>
<b>Equivalent Circuits</b> .....	<b>33</b>
<b>A/D Evaluation Platform</b> .....	<b>34</b>
<b>Layout Considerations</b> .....	<b>34</b>
Split Ground and Power Planes.....	34
Clock Input Considerations.....	34
Exposed Paddle .....	34
Bypass and Filtering .....	34
LVDS Outputs.....	34
LVCMOS Outputs .....	34
Unused Inputs .....	34
<b>Definitions</b> .....	<b>34</b>

---

<b>Revision History</b> .....	<b>35</b>
<b>Package Outline Drawing</b> .....	<b>36</b>

# Pin Configuration - LVDS MODE

(72 LD QFN)  
TOP VIEW



## Pin Descriptions - 72 Ld QFN, LVDS Mode

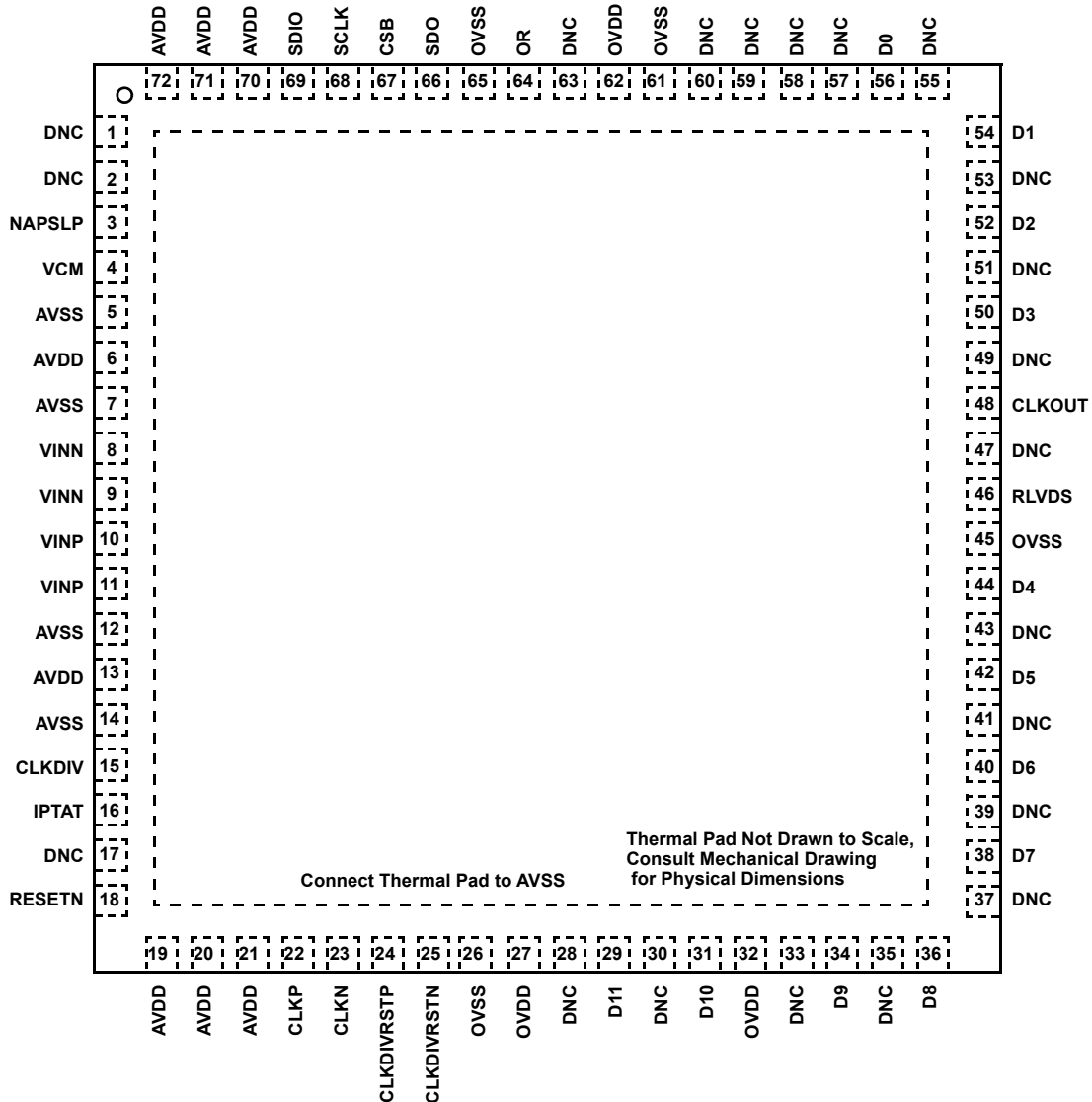
PIN NUMBER	LVDS PIN NAME	LVDS PIN FUNCTION	DDR MODE COMMENTS
1, 2, 17, 57, 58, 59, 60	DNC	Do Not Connect	
6, 13, 19, 20, 21, 70, 71, 72	AVDD	1.8V Analog Supply	
5, 7, 12, 14	AVSS	Analog Ground	
27, 32, 62	OVDD	1.8V Output Supply	
26, 45, 61, 65	OVSS	Output Ground	
3	NAPSLP	Tri-Level Power Control (Nap, Sleep modes)	
4	VCM	Common Mode Output	
8, 9	VINN	Analog Input Negative	
10, 11	VINP	Analog Input Positive	
15	CLKDIV	Tri-Level Clock Divider Control	
16	IPTAT	Temperature Monitor (Output current proportional to absolute temperature)	
18	RESETN	Power On Reset (Active Low)	
22, 23	CLKP, CLKN	Clock Input True, Complement	
24, 25	CLKDIVRSTP, CLKDIVRSTN	Synchronous Clock Divider Reset True, Complement	
28	D11N	LVDS Bit 11(MSB) Output Complement	NC in DDR Mode
29	D11P	LVDS Bit 11 (MSB) Output True	NC in DDR Mode
30	D10N	LVDS Bit 10 Output Complement	DDR Logical Bits 10, 11
31	D10P	LVDS Bit 10 Output True	DDR Logical Bits 10, 11
33	D9N	LVDS Bit 9 Output Complement	NC in DDR Mode
34	D9P	LVDS Bit 9 Output True	NC in DDR Mode
35	D8N	LVDS Bit 8 Output Complement	DDR Logical Bits 8, 9
36	D8P	LVDS Bit 8 Output True	DDR Logical Bits 8, 9
37	D7N	LVDS Bit 7 Output Complement	NC in DDR Mode
38	D7P	LVDS Bit 7 Output True	NC in DDR Mode
39	D6N	LVDS Bit 6 Output Complement	DDR Logical Bits 6, 7
40	D6P	LVDS Bit 6 Output True	DDR Logical Bits 6, 7
41	D5N	LVDS Bit 5 Output Complement	NC in DDR Mode
42	D5P	LVDS Bit 5 Output True	NC in DDR Mode
43	D4N	LVDS Bit 4 Output Complement	DDR Logical Bits 4, 5
44	D4P	LVDS Bit 4 Output True	DDR Logical Bits 4, 5
46	RLVDS	LVDS Bias Resistor (Connect to OVSS with 1% 10k $\Omega$ )	
47, 48	CLKOUTN, CLKOUTP	LVDS Clock Output Complement, True	
49	D3N	LVDS Bit 3 Output Complement	NC in DDR Mode
50	D3P	LVDS Bit 3 Output True	NC in DDR Mode
51	D2N	LVDS Bit 2 Output Complement	DDR Logical Bits 2, 3
52	D2P	LVDS Bit 2 Output True	DDR Logical Bits 2, 3
53	D1N	LVDS Bit 1 Output Complement	NC in DDR Mode
54	D1P	LVDS Bit 1 Output True	NC in DDR Mode
55	D0N	LVDS Bit 0 Output Complement	DDR Logical Bits 0, 1
56	D0P	LVDS Bit 0 Output True	DDR Logical Bits 0, 1
63, 64	ORN, ORP	LVDS Over Range Complement, True	DDR Over Range

## Pin Descriptions - 72 Ld QFN, LVDS Mode (Continued)

PIN NUMBER	LVDS PIN NAME	LVDS PIN FUNCTION	DDR MODE COMMENTS
66	SDO	SPI Serial Data Output	
67	CSB	SPI Chip Select (active low)	
68	SCLK	SPI Clock	
69	SDIO	SPI Serial Data Input/Output	
Exposed Paddle	AVSS	Analog Ground	

## Pin Configuration - CMOS MODE

(72 LD QFN)  
TOP VIEW



## Pin Descriptions - 72 Ld QFN, CMOS Mode

PIN NUMBER	CMOS PIN NAME	CMOS PIN FUNCTION	DDR MODE COMMENTS
1, 2, 17, 28, 30, 33, 35, 37, 39, 41, 43, 47, 49, 51, 53, 55, 57, 58, 59, 60, 63	DNC	Do Not Connect	
6, 13, 19, 20, 21, 70, 71, 72	AVDD	1.8V Analog Supply	
5, 7, 12, 14	AVSS	Analog Ground	
27, 32, 62	OVDD	1.8V Output Supply	
26, 45, 61, 65	OVSS	Output Ground	
3	NAPSLP	Tri-Level Power Control (Nap, Sleep modes)	
4	VCM	Common Mode Output	
8, 9	VINN	Analog Input Negative	
10, 11	VINP	Analog Input Positive	
15	CLKDIV	Tri-Level Clock Divider Control	
16	IPTAT	Temperature Monitor (Output current proportional to absolute temperature)	
18	RESETN	Power On Reset (Active Low)	
22, 23	CLKP, CLKN	Clock Input True, Complement	
24, 25	CLKDIVRSTP, CLKDIVRSTN	Synchronous Clock Divider Reset True, Complement	
29	D11	CMOS Bit 11 (MSB) Output	NC in DDR Mode
31	D10	CMOS Bit 10 Output	DDR Logical Bits 10, 11
34	D9	CMOS Bit 9 Output	NC in DDR Mode
36	D8	CMOS Bit 8 Output	DDR Logical Bits 8, 9
38	D7	CMOS Bit 7 Output	NC in DDR Mode
40	D6	CMOS Bit 6 Output	DDR Logical Bits 6, 7
42	D5	CMOS Bit 5 Output	NC in DDR Mode
44	D4	CMOS Bit 4 Output	DDR Logical Bits 4, 5
46	RLVDS	LVDS Bias Resistor (Connect to OVSS with 1% 10k $\Omega$ )	
48	CLKOUT	CMOS Clock Output	
50	D3	CMOS Bit 3 Output	NC in DDR Mode
52	D2	CMOS Bit 2 Output	DDR Logical Bits 2, 3
54	D1	CMOS Bit 1 Output	NC in DDR Mode
56	D0	CMOS Bit 0 (LSB) Output	DDR Logical Bits 0, 1
64	OR	CMOS Over Range	DDR Over Range
66	SDO	SPI Serial Data Output	
67	CSB	SPI Chip Select (active low)	
68	SCLK	SPI Clock	
69	SDIO	SPI Serial Data Input/Output	
Exposed Paddle	AVSS	Analog Ground	

## Ordering Information

PART NUMBER (Notes 1, 2)	PART MARKING	PACKAGE DESCRIPTION (RoHS Compliant)	PKG. DWG. #	CARRIER TYPE	TEMP. RANGE
ISLA212P13IRZ	ISLA212P13 IRZ	72 Ld QFN	L72.10x10G	Tray	-40 °C to +85 °C
ISLA212P20IRZ	ISLA212P20 IRZ				
ISLA212P25IRZ	ISLA212P25 IRZ				
ISLA214IR72EV1Z	14-bit 250MSPS ADC Evaluation Board (This 14-bit ADC evaluation board can be configured for 12-bit testing.)				

## NOTES:

1. These Pb-free plastic packaged products employ special Pb-free material sets; molding compounds/die attach materials and NiPdAu-Ag plate-e4 termination finish, which is RoHS compliant and compatible with both SnPb and Pb-free soldering operations. Pb-free products are MSL classified at Pb-free peak reflow temperatures that meet or exceed the Pb-free requirements of IPC/JEDEC J STD-020.
2. For Moisture Sensitivity Level (MSL), see the [ISLA212P13](#), [ISLA212P20](#), [ISLA212P25](#) device pages. For more information about MSL, see [TB363](#).



**Absolute Maximum Ratings**

AVDD to AVSS	-0.4V to 2.1V
OVDD to OVSS	-0.4V to 2.1V
AVSS to OVSS	-0.3V to 0.3V
Analog Inputs to AVSS	-0.4V to AVDD + 0.3V
Clock Inputs to AVSS	-0.4V to AVDD + 0.3V
Logic Input to AVSS	-0.4V to OVDD + 0.3V
Logic Inputs to OVSS	-0.4V to OVDD + 0.3V
Latchup (Tested per JESD-78C;Class 2,Level A)	100mA

**Thermal Information**

Thermal Resistance (Typical)	$\theta_{JA}$ (°C/W)	$\theta_{JC}$ (°C/W)
72 Ld QFN (Notes 3, 4)	23	0.9
Operating Temperature	-40°C to +85°C	
Storage Temperature	-65°C to +150°C	
Junction Temperature	+150°C	
Pb-Free Reflow Profile	see <a href="#">TB493</a>	

CAUTION: Do not operate at or near the maximum ratings listed for extended periods of time. Exposure to such conditions can adversely impact product reliability and result in failures not covered by warranty.

**NOTES:**

- $\theta_{JA}$  is measured in free air with the component mounted on a high effective thermal conductivity test board with direct attach features. See [TB379](#).
- For  $\theta_{JC}$ , the case temperature location is the center of the exposed metal pad on the package underside.

**Electrical Specifications** All specifications apply under the following conditions unless otherwise noted: AVDD = 1.8V, OVDD = 1.8V,  $T_A$  = -40°C to +85°C (Typical specifications at +25°C),  $A_{IN}$  = -1dBFS,  $f_{SAMPLE}$  = Maximum Conversion Rate (per speed grade). **Boldface limits apply over the operating temperature range, -40°C to +85°C.**

PARAMETER	SYMBOL	CONDITIONS	ISLA212P25			ISLA212P20			ISLA212P13			UNIT
			MIN (Note 5)	TYP	MAX (Note 5)	MIN (Note 5)	TYP	MAX (Note 5)	MIN (Note 5)	TYP	MAX (Note 5)	
<b>DC SPECIFICATIONS (Note 6)</b>												
<b>Analog Input</b>												
Full-Scale Analog Input Range	$V_{FS}$	Differential	<b>1.95</b>	2.0	<b>2.1</b>	<b>1.95</b>	2.0	<b>2.1</b>	<b>1.95</b>	2.0	<b>2.1</b>	$V_{p,p}$
Input Resistance	$R_{IN}$	Differential		600			600			600		$\Omega$
Input Capacitance	$C_{IN}$	Differential		4.5			4.5			4.5		pF
Full Scale Range Temp. Drift	$A_{VTC}$	Full Temp		108			84			72		ppm/°C
Input Offset Voltage	$V_{OS}$		<b>-5.0</b>	-1.7	<b>5.0</b>	<b>-5.0</b>	-1.7	<b>5.0</b>	<b>-5.0</b>	-1.7	<b>5.0</b>	mV
Common-Mode Output Voltage	$V_{CM}$			0.94			0.94			0.94		V
Common-Mode Input Current (per pin)	$I_{CM}$			2.6			2.6			2.6		$\mu$ A/MSPS
<b>Clock Inputs</b>												
Inputs Common Mode Voltage				0.9			0.9			0.9		V
CLKP, CLKN Input Swing (Note 7)				1.8			1.8			1.8		V
<b>Power Requirements</b>												
1.8V Analog Supply Voltage	AVDD		<b>1.7</b>	1.8	<b>1.9</b>	<b>1.7</b>	1.8	<b>1.9</b>	<b>1.7</b>	1.8	<b>1.9</b>	V
1.8V Digital Supply Voltage	OVDD		<b>1.7</b>	1.8	<b>1.9</b>	<b>1.7</b>	1.8	<b>1.9</b>	<b>1.7</b>	1.8	<b>1.9</b>	V
1.8V Analog Supply Current	$I_{AVDD}$			188	<b>200</b>		174	<b>184</b>		152	<b>161</b>	mA
1.8V Digital Supply Current (Note 6)	$I_{OVDD}$	3mA LVDS (SDR)		72	<b>80</b>		68	<b>76</b>		61	<b>69</b>	mA
Power Supply Rejection Ratio	PSRR	30MHz, 30mV <sub>p,p</sub> signal on AVDD		40			40			40		dB

**Electrical Specifications** All specifications apply under the following conditions unless otherwise noted: AVDD = 1.8V, OVDD = 1.8V, T<sub>A</sub> = -40 °C to +85 °C (Typical specifications at +25 °C), A<sub>IN</sub> = -1dBFS, f<sub>SAMPLE</sub> = Maximum Conversion Rate (per speed grade). **Boldface limits apply over the operating temperature range, -40 °C to +85 °C. (Continued)**

PARAMETER	SYMBOL	CONDITIONS	ISLA212P25			ISLA212P20			ISLA212P13			UNIT	
			MIN (Note 5)	TYP	MAX (Note 5)	MIN (Note 5)	TYP	MAX (Note 5)	MIN (Note 5)	TYP	MAX (Note 5)		
<b>Total Power Dissipation</b>													
Normal Mode	P <sub>D</sub>	2mA LVDS		445			412			360		mW	
		3mA LVDS (SDR)		468	<b>504</b>		436	<b>468</b>		383	<b>414</b>	mW	
		3mA LVDS (DDR)		440			405			353		mW	
		CMOS (SDR)		427			380			315		mW	
		CMOS (DDR)		416			373			308		mW	
Nap Mode	P <sub>D</sub>		55.8	<b>60</b>		52.2	<b>57</b>		48.6	<b>53</b>	mW		
Sleep Mode	P <sub>D</sub>	CSB at logic high		6	<b>12</b>		6	<b>12</b>		6	<b>12</b>	mW	
Nap/Sleep Mode Wakeup Time		Sample Clock Running		200			400			630		μs	
<b>AC SPECIFICATIONS</b>													
Differential Nonlinearity	DNL	f <sub>IN</sub> = 105MHz <b>No Missing Codes</b>	<b>-0.9</b>	±0.16	<b>0.9</b>	<b>-0.5</b>	±0.12	<b>0.5</b>	<b>-0.5</b>	±0.12	<b>0.5</b>	LSB	
Integral Nonlinearity	INL	f <sub>IN</sub> = 105MHz	<b>-1.8</b>	±0.6	<b>1.8</b>	<b>-1.5</b>	±0.5	<b>1.5</b>	<b>-1.5</b>	±0.5	<b>1.5</b>	LSB	
Minimum Conversion Rate (Note 8)	f <sub>S</sub> MIN				<b>40</b>			<b>40</b>			<b>40</b>	MSPS	
Maximum Conversion Rate	f <sub>S</sub> MAX		<b>250</b>			<b>200</b>			<b>130</b>			MSPS	
Signal-to-Noise Ratio (Note 9)	SNR	f <sub>IN</sub> = 30MHz		70.5			71.0			71.5		dBFS	
		f <sub>IN</sub> = 105MHz		69.0	70.5		70.0	71.0		70.4	71.2		dBFS
		f <sub>IN</sub> = 190MHz			69.8			70.3			70.5		dBFS
		f <sub>IN</sub> = 363MHz			68.7			68.9			68.8		dBFS
		f <sub>IN</sub> = 461MHz			68.1			68.1			67.7		dBFS
f <sub>IN</sub> = 605MHz			66.9			66.7			66.2		dBFS		
Signal-to-Noise and Distortion (Note 9)	SINAD	f <sub>IN</sub> = 30MHz		69.4			70.7			71.4		dBFS	
		f <sub>IN</sub> = 105MHz		68.5	69.4		69.4	70.7		69.1	70.8		dBFS
		f <sub>IN</sub> = 190MHz			68.9			69.9			69.9		dBFS
		f <sub>IN</sub> = 363MHz			68.1			68.6			68.6		dBFS
		f <sub>IN</sub> = 461MHz			65.2			66.3			64.9		dBFS
f <sub>IN</sub> = 605MHz			60.2			60.8			60.2		dBFS		
Effective Number of Bits (Note 9)	ENOB	f <sub>IN</sub> = 30MHz		11.24			11.45			11.57		Bits	
		f <sub>IN</sub> = 105MHz		11.09	11.24		11.24	11.45		11.19	11.47		Bits
		f <sub>IN</sub> = 190MHz			11.15			11.32			11.32		Bits
		f <sub>IN</sub> = 363MHz			11.02			11.10			11.10		Bits
		f <sub>IN</sub> = 461MHz			10.54			10.72			10.49		Bits
f <sub>IN</sub> = 605MHz			9.71			9.81			9.71		Bits		

**Electrical Specifications** All specifications apply under the following conditions unless otherwise noted: AVDD = 1.8V, OVDD = 1.8V, T<sub>A</sub> = -40 °C to +85 °C (Typical specifications at +25 °C), A<sub>IN</sub> = -1dBFS, f<sub>SAMPLE</sub> = Maximum Conversion Rate (per speed grade). **Boldface limits apply over the operating temperature range, -40 °C to +85 °C. (Continued)**

PARAMETER	SYMBOL	CONDITIONS	ISLA212P25			ISLA212P20			ISLA212P13			UNIT
			MIN (Note 5)	TYP	MAX (Note 5)	MIN (Note 5)	TYP	MAX (Note 5)	MIN (Note 5)	TYP	MAX (Note 5)	
Spurious-Free Dynamic Range (Note 9)	SFDR	f <sub>IN</sub> = 30MHz		83		83			88		dBc	
		f <sub>IN</sub> = 105MHz	73	83		73	83		71	81	dBc	
		f <sub>IN</sub> = 190MHz		77			83			78	dBc	
		f <sub>IN</sub> = 363MHz		78			81			85	dBc	
		f <sub>IN</sub> = 461MHz		68			71			68	dBc	
		f <sub>IN</sub> = 605MHz		60			62			61	dBc	
Spurious-Free Dynamic Range Excluding H2, H3	SFDRX23	f <sub>IN</sub> = 30MHz		89		94			99		dBc	
		f <sub>IN</sub> = 105MHz		91		90			96		dBc	
		f <sub>IN</sub> = 190MHz		88		89			92		dBc	
		f <sub>IN</sub> = 363MHz		87		91			95		dBc	
		f <sub>IN</sub> = 461MHz		88		93			94		dBc	
		f <sub>IN</sub> = 605MHz		88		88			87		dBc	
Intermodulation Distortion	IMD	f <sub>IN</sub> = 70MHz		87		86			87		dBFS	
		f <sub>IN</sub> = 170MHz		97		104			101		dBFS	
Word Error Rate	WER			10 <sup>-12</sup>		10 <sup>-12</sup>			10 <sup>-12</sup>			
Full Power Bandwidth	FPBW			700		700			700		MHz	

## NOTES:

- Compliance to datasheet limits is assured by one or more methods: production test, characterization, and/or design.
- Digital Supply Current is dependent upon the capacitive loading of the digital outputs. I<sub>OVDD</sub> specifications apply for 10pF load on each digital output
- See "[Clock Input](#)" on page 21.
- The DLL Range setting must be changed for low-speed operation.
- Minimum specification guaranteed when calibrated at +85 °C.

**Digital Specifications** Boldface limits apply over the operating temperature range, -40 °C to +85 °C.

PARAMETER	SYMBOL	CONDITIONS	MIN (Note 5)	TYP	MAX (Note 5)	UNIT
<b>INPUTS</b> (Note 10)						
Input Current High (RESETN)	I <sub>IH</sub>	V <sub>IN</sub> = 1.8V	<b>0</b>	1	<b>10</b>	μA
Input Current Low (RESETN)	I <sub>IL</sub>	V <sub>IN</sub> = 0V	<b>-25</b>	-12	<b>-8</b>	μA
Input Current High (SDIO)	I <sub>IH</sub>	V <sub>IN</sub> = 1.8V		4	<b>12</b>	μA
Input Current Low (SDIO)	I <sub>IL</sub>	V <sub>IN</sub> = 0V	<b>-600</b>	-415	<b>-300</b>	μA
Input Current High (CSB)	I <sub>IH</sub>	V <sub>IN</sub> = 1.8V	<b>40</b>	58	<b>75</b>	
Input Current Low (CSB)	I <sub>IL</sub>	V <sub>IN</sub> = 0V		5	<b>10</b>	
Input Current High (CLKDIV)	I <sub>IH</sub>		<b>16</b>	25	<b>34</b>	μA
Input Current Low (CLKDIV)	I <sub>IL</sub>		<b>-34</b>	-25	<b>-16</b>	μA
Input Voltage High (SDIO, RESETN)	V <sub>IH</sub>		<b>1.17</b>			V
Input Voltage Low (SDIO, RESETN)	V <sub>IL</sub>				<b>0.63</b>	V
Input Capacitance	C <sub>DI</sub>			4		pF

**Digital Specifications** Boldface limits apply over the operating temperature range, -40°C to +85°C. (Continued)

PARAMETER	SYMBOL	CONDITIONS	MIN (Note 5)	TYP	MAX (Note 5)	UNIT
<b>LVDS INPUTS (CLKDIVRSTP, CLKDIVRSTN)</b>						
Input Common Mode Range	$V_{ICM}$		<b>825</b>		<b>1575</b>	mV
Input Differential Swing (peak to peak, single-ended)	$V_{ID}$		<b>250</b>		<b>450</b>	mV
CLKDIVRSTP Input Pull-down Resistance	$R_{Ipd}$			100		k $\Omega$
CLKDIVRSTN Input Pull-up Resistance	$R_{Ipu}$			100		k $\Omega$
<b>LVDS OUTPUTS</b>						
Differential Output Voltage (Note 11)	$V_T$	3mA Mode		612		mV <sub>p-p</sub>
Output Offset Voltage	$V_{OS}$	3mA Mode	<b>1120</b>	1150	<b>1200</b>	mV
Output Rise Time	$t_R$			240		ps
Output Fall Time	$t_F$			240		ps
<b>CMOS OUTPUTS</b>						
Voltage Output High	$V_{OH}$	$I_{OH} = -500\mu A$	<b>OVDD - 0.3</b>	OVDD - 0.1		V
Voltage Output Low	$V_{OL}$	$I_{OL} = 1mA$		0.1	<b>0.3</b>	V
Output Rise Time	$t_R$			1.8		ns
Output Fall Time	$t_F$			1.4		ns

NOTES:

- 10. The Tri-Level Inputs internal switching thresholds are approximately 0.43V and 1.34V. It is advised to float the inputs or tie to ground or AVDD, depending on desired function.
- 11. The voltage is expressed in peak-to-peak differential swing. The peak-to-peak singled-ended swing is one-half of the differential swing.

**Timing Diagrams**

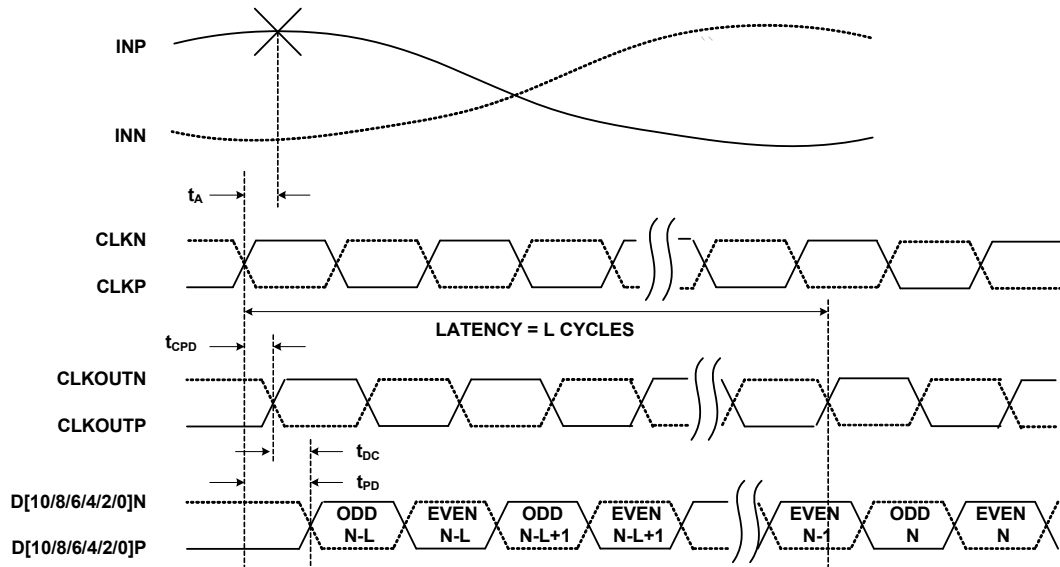
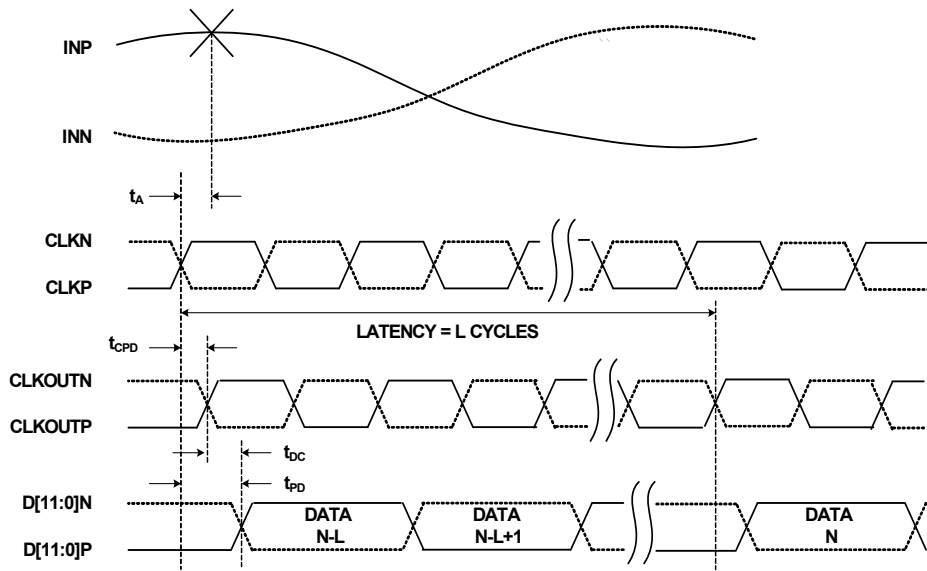
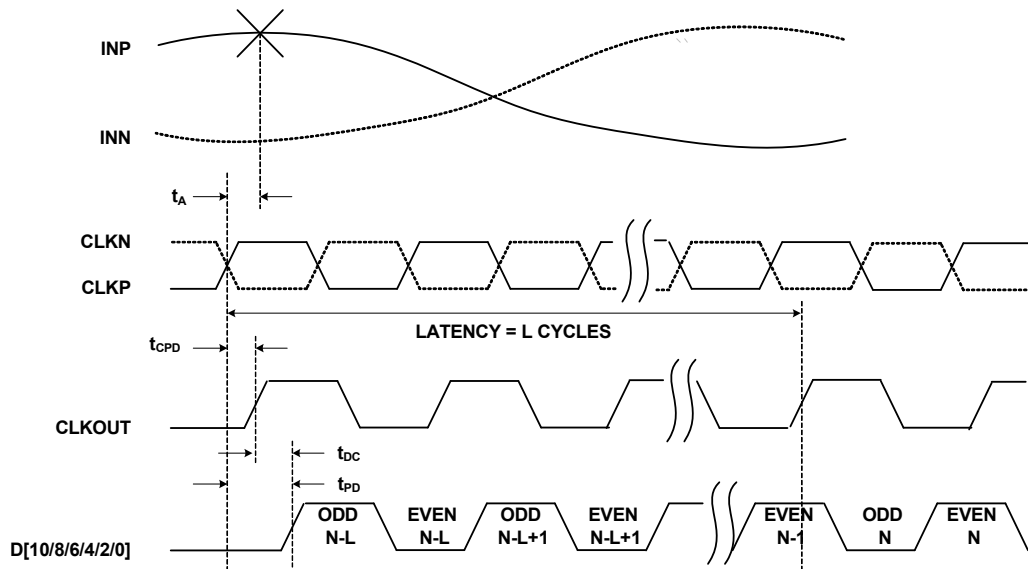


FIGURE 1A. LVDS DDR

# Timing Diagrams (Continued)



**FIGURE 1B. LVDS SDR**  
**FIGURE 1. LVDS TIMING DIAGRAMS**



**FIGURE 2A. CMOS DDR**

## Timing Diagrams (Continued)

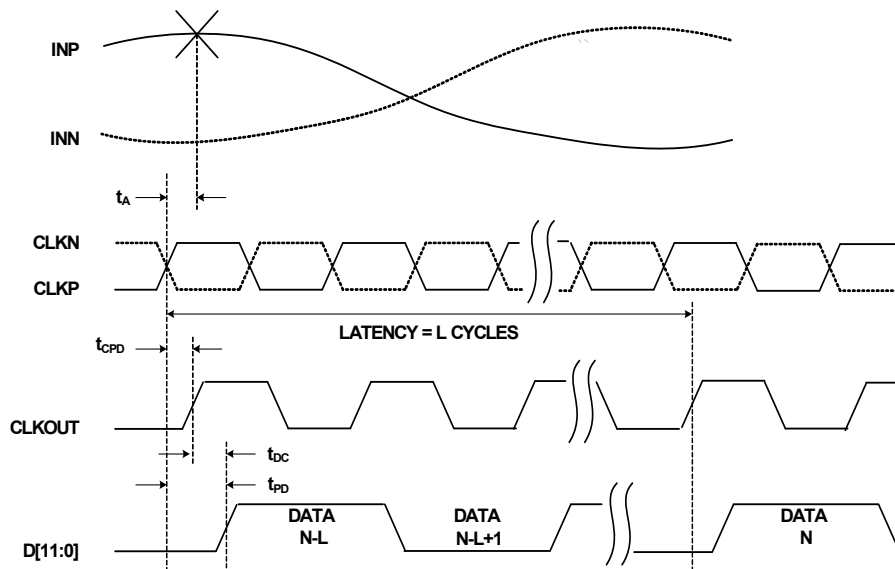


FIGURE 2B. CMOS SDR  
FIGURE 2. CMOS TIMING DIAGRAMS

### Switching Specifications **Boldface limits apply over the operating temperature range, -40 °C to +85 °C.**

PARAMETER	SYMBOL	CONDITION	MIN (Note 5)	TYP	MAX (Note 5)	UNIT
<b>ADC OUTPUT</b>						
Aperture Delay	$t_A$			114		ps
RMS Aperture Jitter	$j_A$			75		fs
Input Clock to Output Clock Propagation Delay	$t_{CPD}$	AVDD, OVDD = 1.7V to 1.9V, $T_A = -40^\circ\text{C}$ to $+85^\circ\text{C}$	<b>1.65</b>	2.4	<b>3</b>	ns
		AVDD, OVDD = 1.8V, $T_A = +25^\circ\text{C}$	<b>1.9</b>	2.3	<b>2.75</b>	ns
Relative Input Clock to Output Clock Propagation Delay (Note 12)	$dt_{CPD}$	AVDD, OVDD = 1.7V to 1.9V, $T_A = -40^\circ\text{C}$ to $+85^\circ\text{C}$	<b>-450</b>		<b>450</b>	ps
Input Clock to Data Propagation Delay	$t_{PD}$		<b>1.65</b>	2.4	<b>3.5</b>	ns
Output Clock to Data Propagation Delay, LVDS Mode	$t_{DC}$	Rising/Falling Edge	<b>-0.1</b>	0.16	<b>0.5</b>	ns
Output Clock to Data Propagation Delay, CMOS Mode	$t_{DC}$	Rising/Falling Edge	<b>-0.1</b>	0.2	<b>0.65</b>	ns
Synchronous Clock Divider Reset Setup Time (with respect to the positive edge of CLKP)	$t_{RSTS}$		<b>0.4</b>	0.06		ns
Synchronous Clock Divider Reset Hold Time (with respect to the positive edge of CLKP)	$t_{RSTH}$			0.02	<b>0.35</b>	ns
Synchronous Clock Divider Reset Recovery Time	$t_{RSTRT}$	DLL recovery time after Synchronous Reset		52		$\mu\text{s}$
Latency (Pipeline Delay)	L			10		cycles

**Switching Specifications** Boldface limits apply over the operating temperature range, -40°C to +85°C. (Continued)

PARAMETER	SYMBOL	CONDITION	MIN (Note 5)	TYP	MAX (Note 5)	UNIT
Overvoltage Recovery	$t_{OVR}$			1		cycles
<b>SPI INTERFACE (Notes 13, 14)</b>						
SCLK Period	$t_{CLK}$	Write Operation	<b>16</b>			cycles
	$t_{CLK}$	Read Operation	<b>16</b>			cycles
CSB↓ to SCLK↑ Setup Time	$t_S$	Read or Write	<b>28</b>			cycles
CSB↑ after SCLK↑ Hold Time	$t_H$	Write	<b>5</b>			cycles
CSB↑ after SCLK↓ Hold Time	$t_{HR}$	Read	<b>16</b>			cycles
Data Valid to SCLK↑ Setup Time	$t_{DS}$	Write	<b>6</b>			cycles
Data Valid after SCLK↑ Hold Time	$t_{DH}$	Read or Write			<b>4</b>	cycles
Data Valid after SCLK↓ Time	$t_{DVR}$	Read			<b>5</b>	cycles

NOTES:

- 12. The relative propagation delay is the difference in propagation time between any two devices that are matched in temperature and voltage, and is specified over the full operating temperature and voltage range.
- 13. SPI interface timing is directly proportional to the ADC sample period ( $t_S$ ). Values above reflect multiples of a 4ns sample period, and must be scaled proportionally for lower sample rates. ADC sample clock must be running for SPI communication.
- 14. The SPI may operate asynchronously with respect to the ADC sample clock.

**Typical Performance Curves**

All Typical Performance Characteristics apply under the following conditions unless otherwise noted: AVDD = OVDD = 1.8V,  $T_A = +25^\circ C$ ,  $A_{IN} = -1dBFS$ ,  $f_{IN} = 105MHz$ ,  $f_{SAMPLE} = 250MSPS$ .

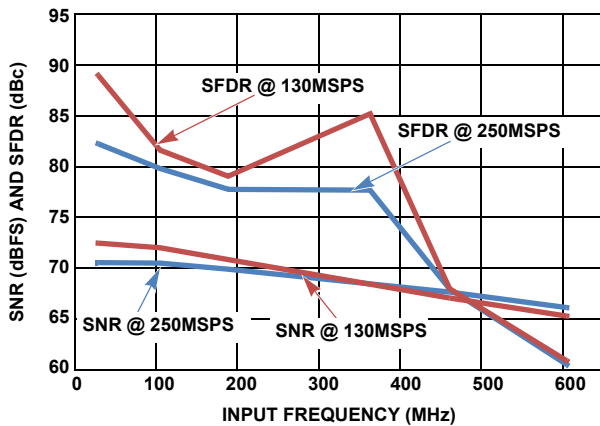


FIGURE 3. SNR AND SFDR vs  $f_{IN}$

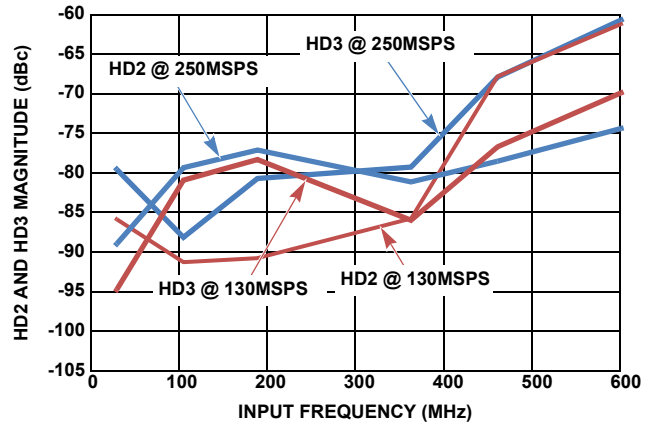


FIGURE 4. HD2 AND HD3 vs  $f_{IN}$

# Typical Performance Curves

All Typical Performance Characteristics apply under the following conditions unless otherwise noted: AVDD = OVDD = 1.8V, T<sub>A</sub> = +25°C, A<sub>IN</sub> = -1dBFS, f<sub>IN</sub> = 105MHz, f<sub>SAMPLE</sub> = 250MSPS. (Continued)

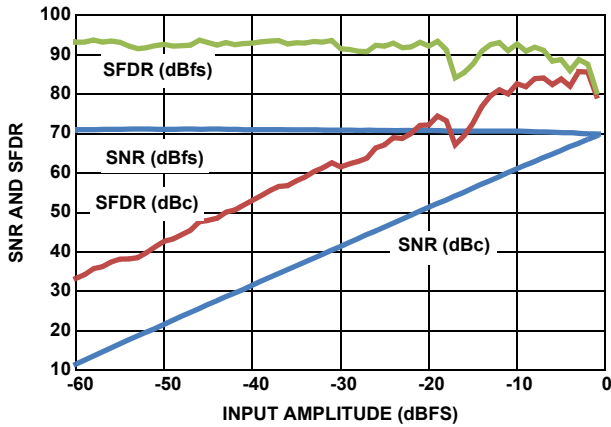


FIGURE 5. SNR AND SFDR vs A<sub>IN</sub>

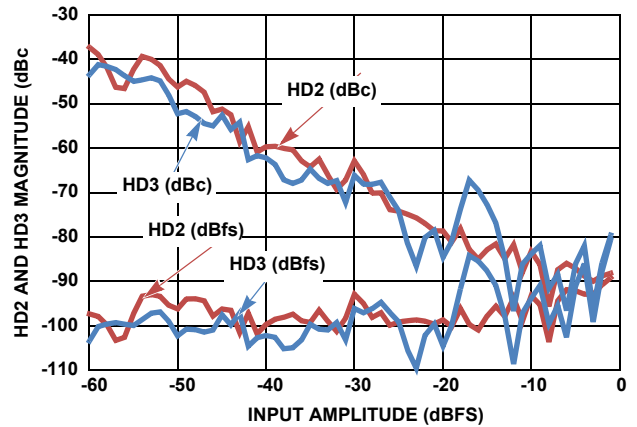


FIGURE 6. HD2 AND HD3 vs A<sub>IN</sub>

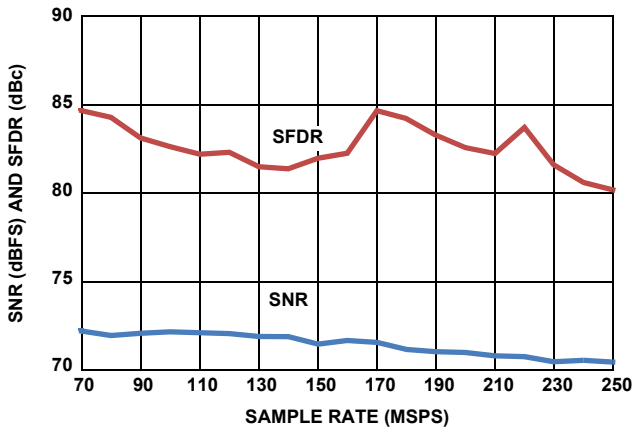


FIGURE 7. SNR AND SFDR vs f<sub>SAMPLE</sub>

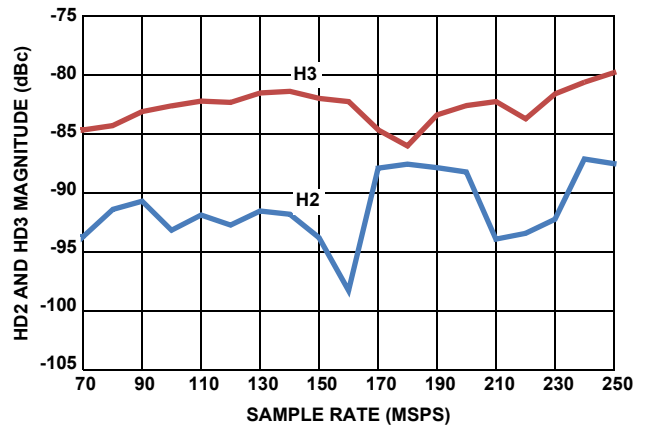


FIGURE 8. HD2 AND HD3 vs f<sub>SAMPLE</sub>

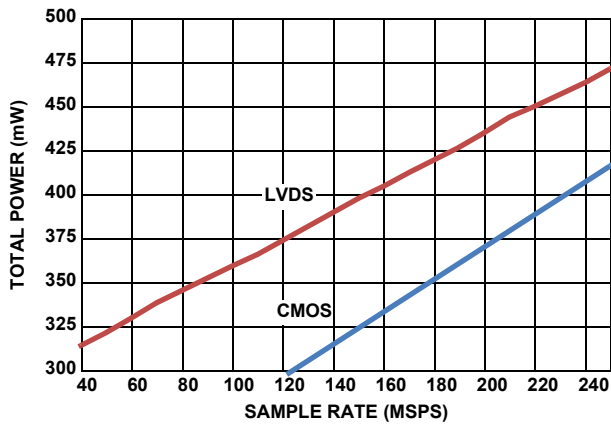


FIGURE 9. POWER vs f<sub>SAMPLE</sub> IN 3mA LVDS MODE (SDR) AND CMOS MODE (DDR)

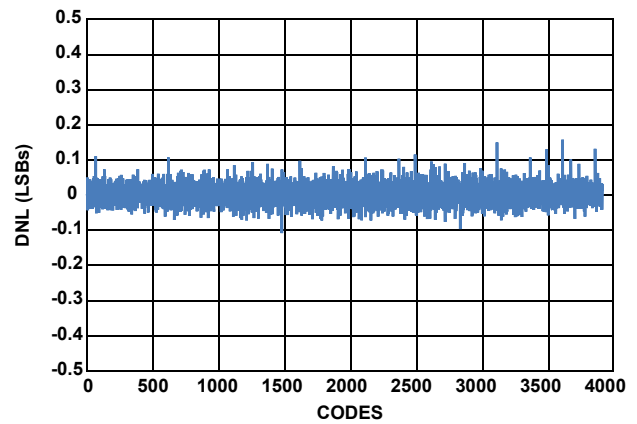


FIGURE 10. DIFFERENTIAL NONLINEARITY



# Typical Performance Curves

All Typical Performance Characteristics apply under the following conditions unless otherwise noted: AVDD = OVDD = 1.8V, T<sub>A</sub> = +25 °C, A<sub>IN</sub> = -1dBFS, f<sub>IN</sub> = 105MHz, f<sub>SAMPLE</sub> = 250MSPS. (Continued)

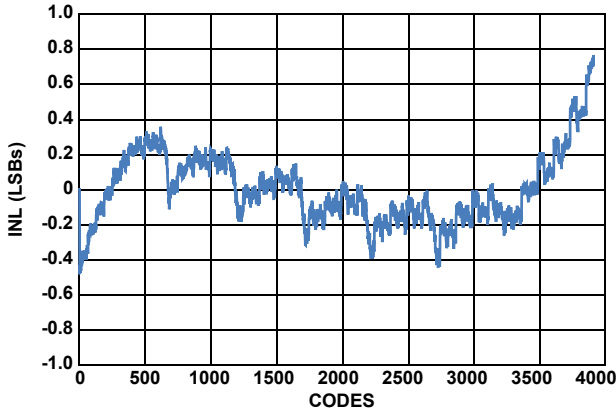


FIGURE 11. INTEGRAL NONLINEARITY

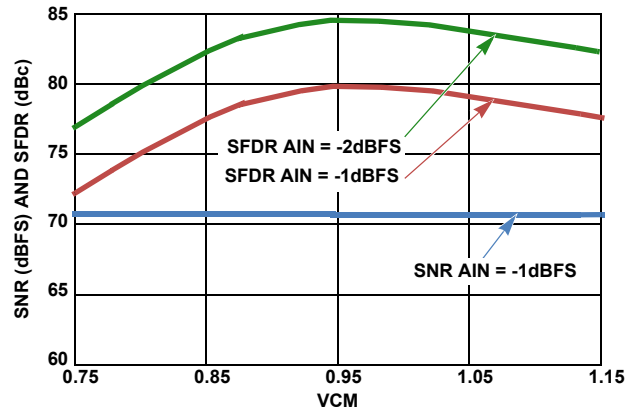


FIGURE 12. SNR AND SFDR vs VCM

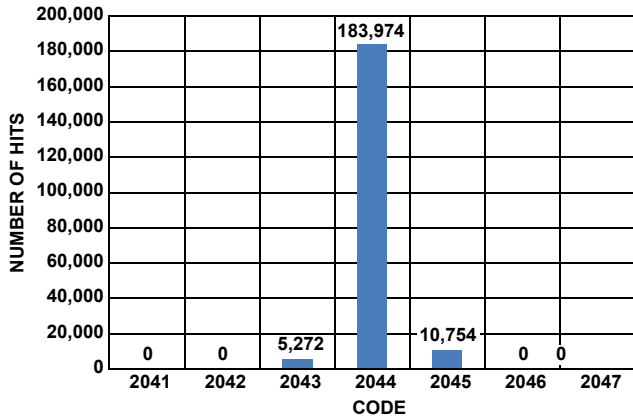


FIGURE 13. NOISE HISTOGRAM

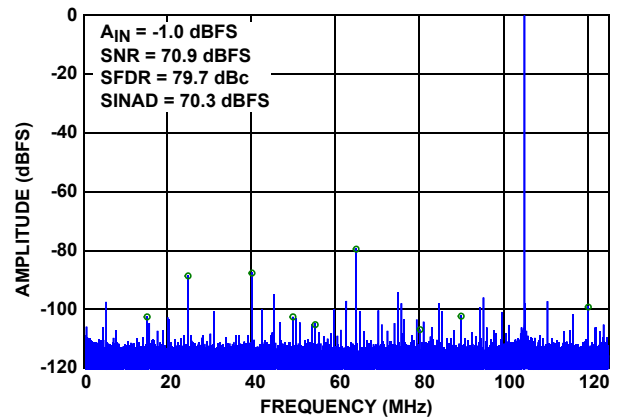


FIGURE 14. SINGLE-TONE SPECTRUM @ 105MHz

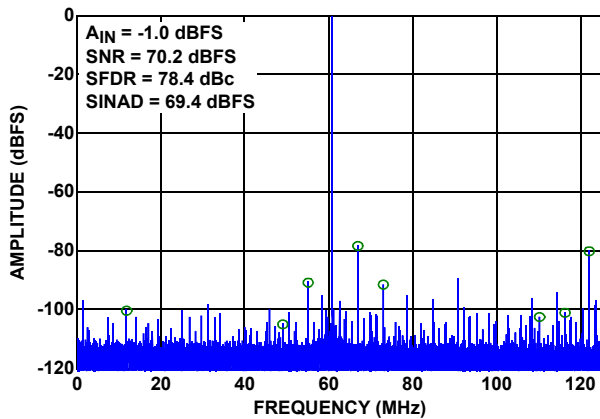


FIGURE 15. SINGLE-TONE SPECTRUM @ 190MHz

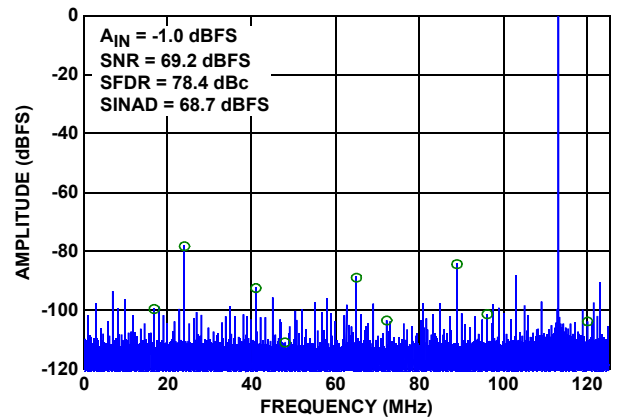


FIGURE 16. SINGLE-TONE SPECTRUM @ 363MHz

## Typical Performance Curves

All Typical Performance Characteristics apply under the following conditions unless otherwise noted: AVDD = OVDD = 1.8V, T<sub>A</sub> = +25 °C, A<sub>IN</sub> = -1dBFS, f<sub>IN</sub> = 105MHz, f<sub>SAMPLE</sub> = 250MSPS. (Continued)

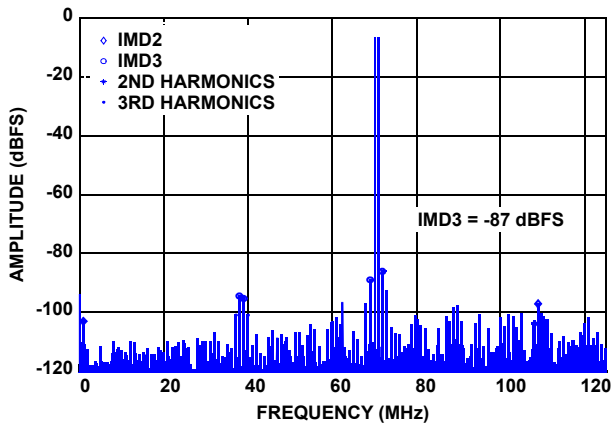


FIGURE 17. TWO-TONE SPECTRUM (F1 = 70MHz, F2 = 71MHz AT -7dBFS)

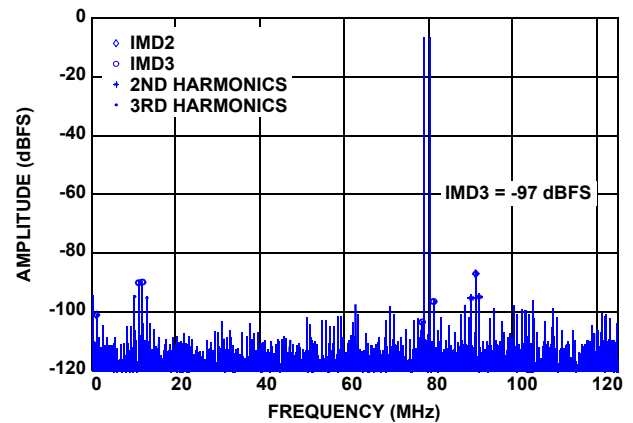


FIGURE 18. TWO-TONE SPECTRUM (F1 = 170MHz, F2 = 171MHz AT -7dBFS)

## Theory of Operation

### Functional Description

The ISLA212P is based on a 12-bit, 250MSPS A/D converter core that utilizes a pipelined successive approximation architecture (see Figure 19). The input voltage is captured by a Sample-Hold Amplifier (SHA) and converted to a unit of charge. Proprietary charge-domain techniques are used to successively compare the input to a series of reference charges. Decisions made during the successive approximation operations determine the digital code for each input value. Digital error correction is also applied, resulting in a total latency of 10 clock cycles. This is evident to the user as a latency between the start of a conversion and the data being available on the digital outputs.

### Power-On Calibration

As mentioned previously, the cores perform a self-calibration at start-up. An internal power-on-reset (POR) circuit detects the supply voltage ramps and initiates the calibration when the analog and digital supply voltages are above a threshold. The following conditions must be adhered to for the power-on calibration to execute successfully.

- A frequency-stable conversion clock must be applied to the CLKP/CLKN pins.
- DNC pins must not be connected.
- SDO has an internal pull-up and should not be driven externally.
- RESETN is pulled low by the ADC internally during POR. External driving of RESETN is optional.
- SPI communications must not be attempted.

A user-initiated reset can subsequently be invoked if these conditions cannot be met at power-up.

After the power supply has stabilized, the internal POR releases RESETN, and an internal pull-up pulls it high, which starts the calibration sequence. If a subsequent user-initiated reset is desired, the RESETN pin should be connected to an open-drain driver with an off-state/high impedance state leakage of less than 0.5mA. This assures exit from the reset state so calibration can start.

The calibration sequence is initiated on the rising edge of RESETN, as shown in Figure 20. Calibration status can be determined by reading the cal\_status bit (LSB) at 0xB6. This bit is '0' during calibration and goes to a logic '1' when calibration is complete. The data outputs produce 0xCCCC during calibration; this can also be used to determine calibration status.

If the selectable clock divider is set to 1 (default), the output clock (CLKOUTP/CLKOUTN) will not be affected by the assertion of RESETN. If the selectable clock divider is set to 2 or 4, the output clock is set low while RESETN is asserted (low). Normal operation of the output clock resumes at the next input clock edge (CLKP/CLKN) after RESETN is de-asserted. At 250MSPS the nominal calibration time is 200ms, while the maximum calibration time is 550ms.

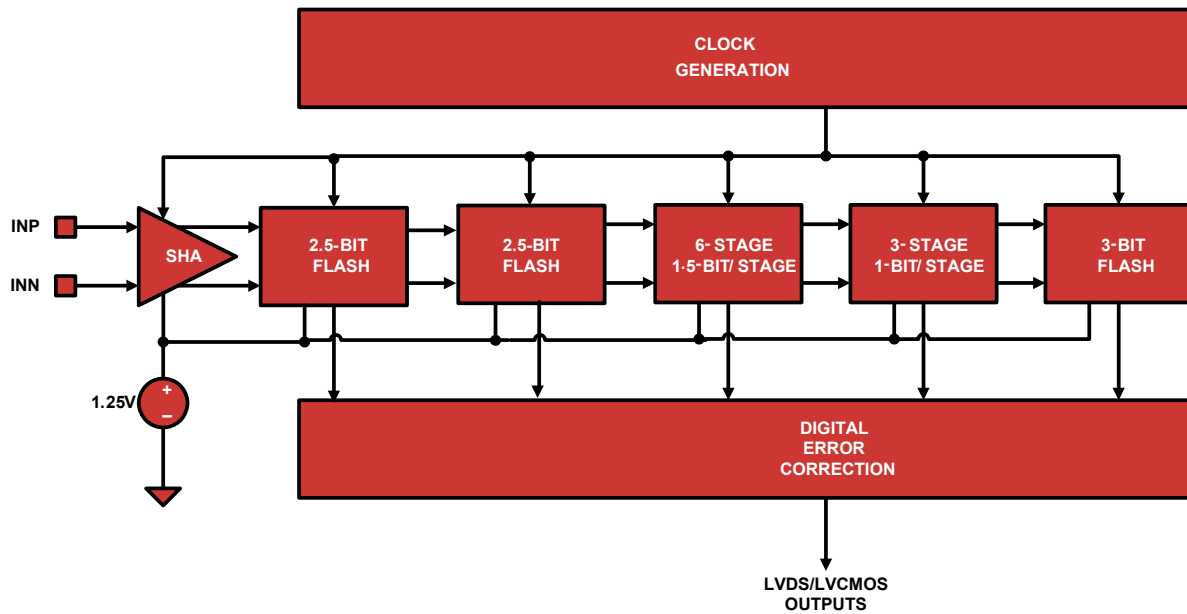


FIGURE 19. A/D CORE BLOCK DIAGRAM

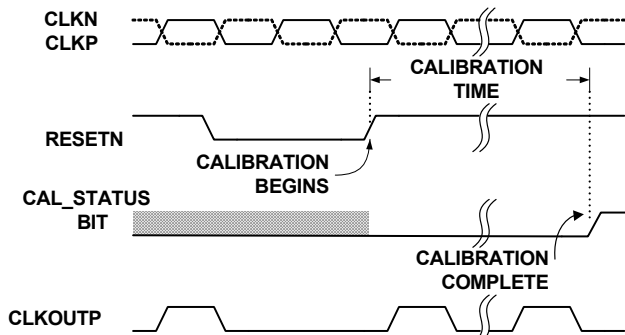


FIGURE 20. CALIBRATION TIMING

### User Initiated Reset

Recalibration of the A/D can be initiated at any time by driving the RESETN pin low for a minimum of one clock cycle. An open-drain driver with a drive strength in its high impedance state of less than 0.5mA is recommended, as RESETN has an internal high impedance pull-up to OVDD. As is the case during power-on reset, RESETN and DNC pins must be in the proper state for the calibration to execute successfully.

The performance of the ISLA212P changes with variations in temperature, supply voltage or sample rate. The extent of these

changes may necessitate recalibration, depending on system performance requirements. Best performance is achieved by recalibrating the A/D under the environmental conditions at which it will operate.

A supply voltage variation of <100mV generally results in an SNR change of <0.5dBFS and an SFDR change of <3dBc.

In situations where the sample rate is not constant, best results are obtained if the device is calibrated at the highest sample rate. Reducing the sample rate by less than 80MSPS typically results in an SNR change of <0.5dBFS and an SFDR change of <3dBc.

Figures 21 through 26 show the effect of temperature on SNR and SFDR performance, with power-on calibration performed at -40°C, +25°C, and +85°C. Each plot shows the variation of SNR/SFDR across temperature after a single power-on calibration at -40°C, +25°C and +85°C. Best performance is typically achieved by a user-initiated power on calibration at the operating conditions, as stated previously. However, it can be seen that performance drift with temperature is not a very strong function of the temperature at which the power-on calibration is performed.

# Temperature Calibration

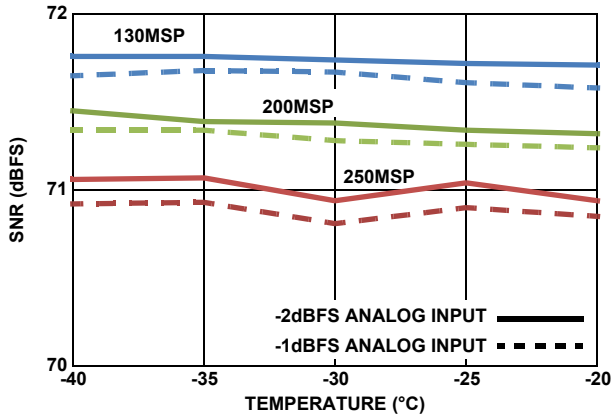


FIGURE 21. TYPICAL SNR PERFORMANCE vs TEMPERATURE, DEVICE CALIBRATED AT -40 °C,  $f_{IN} = 105\text{MHz}$

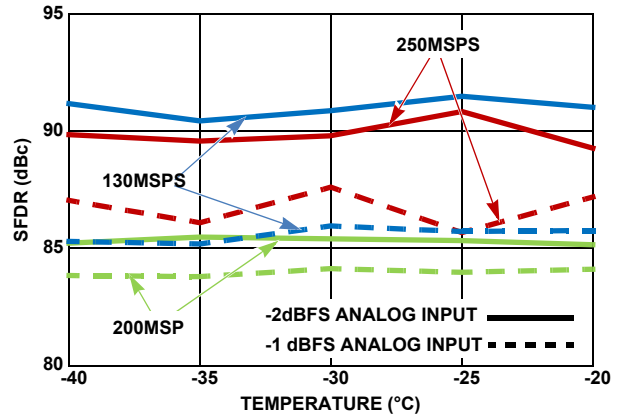


FIGURE 22. TYPICAL SFDR PERFORMANCE vs TEMPERATURE, DEVICE CALIBRATED AT -40 °C,  $f_{IN} = 105\text{MHz}$

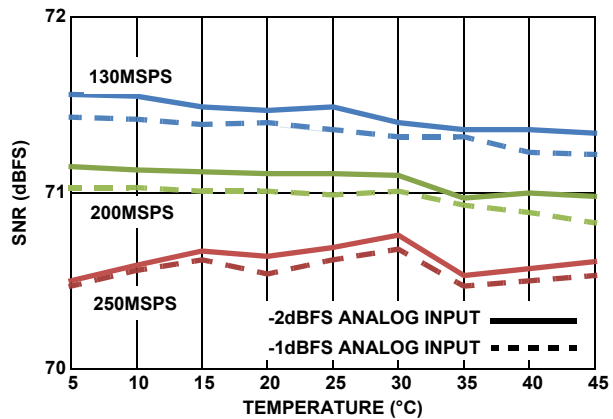


FIGURE 23. TYPICAL SNR PERFORMANCE vs TEMPERATURE, DEVICE CALIBRATED AT +25 °C,  $f_{IN} = 105\text{MHz}$

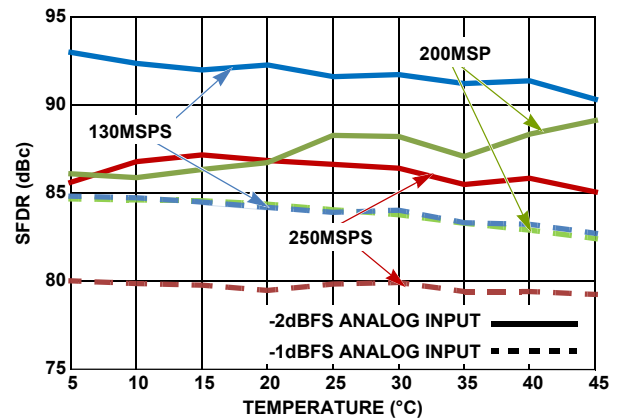


FIGURE 24. TYPICAL SFDR PERFORMANCE vs TEMPERATURE, DEVICE CALIBRATED AT +25 °C,  $f_{IN} = 105\text{MHz}$

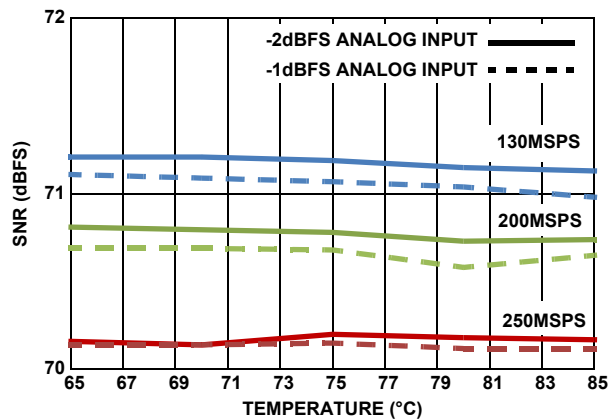


FIGURE 25. TYPICAL SNR PERFORMANCE vs TEMPERATURE, DEVICE CALIBRATED AT +85 °C,  $f_{IN} = 105\text{MHz}$

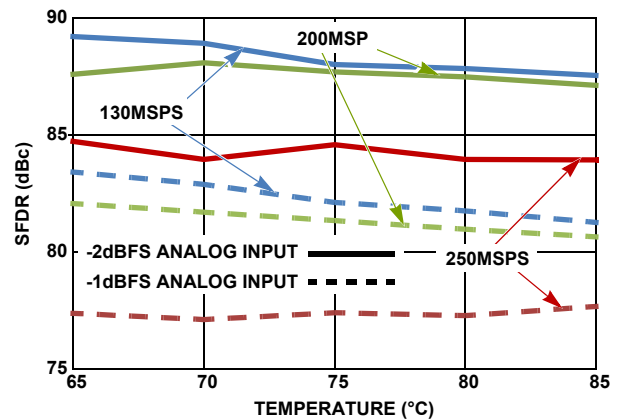


FIGURE 26. TYPICAL SFDR PERFORMANCE vs TEMPERATURE, DEVICE CALIBRATED AT +85 °C,  $f_{IN} = 105\text{MHz}$

## Analog Input

A single, fully differential input (VINP/VINN) connects to the sample-and-hold amplifier (SHA) of each unit A/D. The ideal full-scale input voltage is 2.0V, centered at the VCM voltage of 0.94V, as shown in Figure 27.

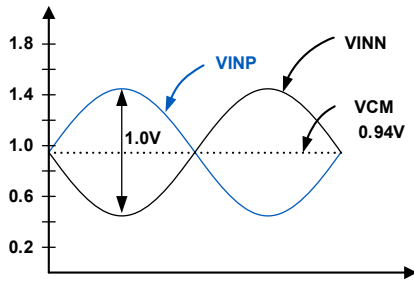


FIGURE 27. ANALOG INPUT RANGE

Best performance is obtained when the analog inputs are driven differentially. The common-mode output voltage, VCM, should be used to properly bias the inputs, as shown in Figures 28 through 30. An RF transformer gives the best noise and distortion performance for wideband and high intermediate frequency (IF) inputs. Two different transformer input schemes are shown in Figures 28 and 29.

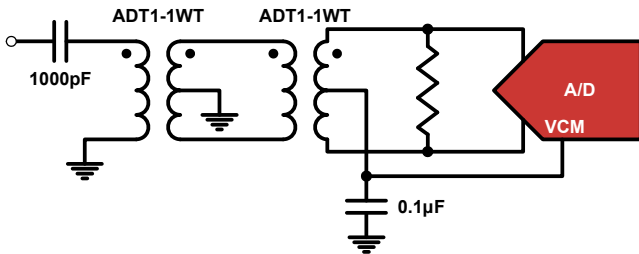


FIGURE 28. TRANSFORMER INPUT FOR GENERAL PURPOSE APPLICATIONS

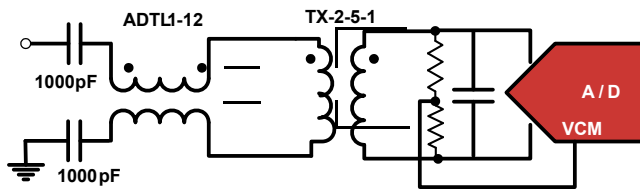


FIGURE 29. TRANSMISSION-LINE TRANSFORMER INPUT FOR HIGH IF APPLICATIONS

This dual transformer scheme is used to improve common-mode rejection, which keeps the common-mode level of the input matched to VCM. The value of the shunt resistor should be determined based on the desired load impedance. The differential input resistance of the ISLA212P is 600Ω.

The SHA design uses a switched capacitor input stage (see Figure 43), which creates current spikes when the sampling capacitance is reconnected to the input voltage. This causes a disturbance at the input, which must settle before the next sampling point. Lower source impedance results in faster settling and improved performance; therefore, a 2:1 or 1:1 transformer and low shunt resistance are recommended for optimal performance.

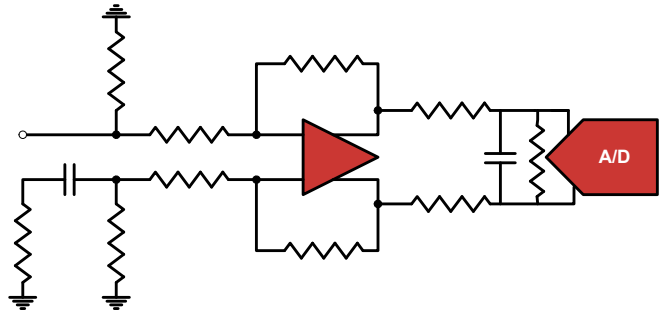


FIGURE 30. DIFFERENTIAL AMPLIFIER INPUT

A differential amplifier, as shown in the simplified block diagram in Figure 30, can be used in applications that require DC coupling. In this configuration, the amplifier typically dominates the achievable SNR and distortion performance. The ISL552xx differential amplifier family can also be used in certain AC applications with minimal performance degradation.

## Clock Input

The clock input circuit is a differential pair (see Figure 44). Driving these inputs with a high level (up to 1.8V<sub>p-p</sub> on each input) sine or square wave provides the lowest jitter performance. A transformer with 4:1 impedance ratio provides increased drive levels. The clock input is functional with AC-coupled LVDS, LVPECL, and CML drive levels. To maintain the lowest possible aperture jitter, a high slew rate at the zero crossing of the differential clock input signal is recommended.

The recommended drive circuit is shown in Figure 31. A duty range of 40% to 60% is acceptable. The clock can be driven single-ended, but this reduces the edge rate and may affect SNR performance. The clock inputs are internally self-biased to AVDD/2 to facilitate AC coupling.

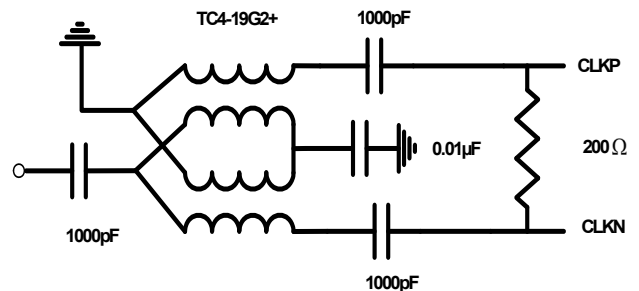


FIGURE 31. RECOMMENDED CLOCK DRIVE

A selectable 2x or 4x frequency divider is provided in series with the clock input. The divider can be used in the 2x mode with a sample clock equal to twice the desired sample rate or in 4x mode with a sample clock equal to four times the desired sample rate. This allows the use of the Phase Slip feature, which enables synchronization of multiple ADCs. The Phase Slip feature can be used as an alternative to the CLKDIVRST pins to synchronize ADCs in a multiple ADC system.

TABLE 2. CLKDIV PIN SETTINGS

CLKDIV PIN	DIVIDE RATIO
AVSS	2
Float	1
AVDD	4

The clock divider can also be controlled through the SPI port, which overrides the CLKDIV pin setting. See “[SPI Physical Interface](#)” on page 26. A delay-locked loop (DLL) generates internal clock signals for various stages within the charge pipeline. If the frequency of the input clock changes, the DLL may take up to 52μs to regain lock at 250MSPS. The lock time is inversely proportional to the sample rate.

The DLL has two ranges of operation: slow and fast. The slow range can be used for sample rates between 40MSPS and 100MSPS, while the default fast range can be used from 80MSPS to the maximum specified sample rate.

## Jitter

In a sampled data system, clock jitter directly impacts the achievable SNR performance. The theoretical relationship between clock jitter ( $t_j$ ) and SNR is shown in Equation 1 and illustrated in Figure 32.

$$\text{SNR} = 20 \log_{10} \left( \frac{1}{2\pi f_{IN} t_j} \right) \quad (\text{EQ. 1})$$

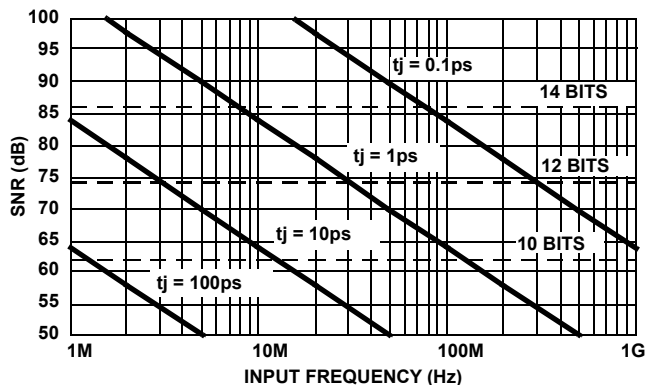


FIGURE 32. SNR vs CLOCK JITTER

This relationship shows the SNR that would be achieved if clock jitter were the only non-ideal factor. In reality, achievable SNR is limited by internal factors such as linearity, aperture jitter and thermal noise. Internal aperture jitter is the uncertainty in the sampling instant shown in Figure 1A. The internal aperture jitter combines with the input clock jitter in a root-sum-square fashion (not statistically correlated), which determines the total jitter in the system. The total jitter, combined with other noise sources, then determines the achievable SNR.

## Voltage Reference

A temperature compensated internal voltage reference provides the reference charges used in the successive approximation operations. The full-scale range of each A/D is proportional to the

reference voltage. The nominal value of the voltage reference is 1.25V.

## Digital Outputs

Output data is available as a parallel bus in LVDS-compatible (default) or CMOS modes. In either case, the data is presented in double data rate (DDR) format. Figures 1 and 2 show the timing relationships for LVDS and CMOS modes, respectively.

Additionally, the drive current for LVDS mode can be set to a nominal 3mA (default) or a power-saving 2mA. The lower current setting can be used in designs where the receiver is in close physical proximity to the A/D. The applicability of this setting is dependent upon the PCB layout; therefore, the user should experiment to determine whether performance degradation is observed.

The output mode can be controlled through the SPI port by writing to address 0x73 (see “[Serial Peripheral Interface](#)” on page 26).

An external resistor creates the bias for the LVDS drivers. A 10kΩ, 1% resistor must be connected from the RLVDS pin to OVSS.

## Power Dissipation

The power dissipated by the ISLA212P is primarily dependent on the sample rate and the output modes: LVDS vs CMOS and DDR vs SDR. There is a static bias in the analog supply, while the remaining power dissipation is linearly related to the sample rate. The output supply dissipation changes to a lesser degree in LVDS mode but is more strongly related to the clock frequency in CMOS mode.

## Nap/Sleep

Portions of the device may be shut down to save power during times when operation of the A/D is not required. Two power saving modes are available: Nap, and Sleep. Nap mode reduces power dissipation to < 60mW while Sleep mode reduces power dissipation to 9mW typically.

All digital outputs (Data, CLKOUT and OR) are placed in a high impedance state during Nap or Sleep. The input clock should remain running and at a fixed frequency during Nap or Sleep, and CSB should be high. Recovery time from Nap mode will increase if the clock is stopped, since the internal DLL can take up to 52μs to regain lock at 250MSPS.

By default after the device is powered on, the operational state is controlled by the NAPSLP pin as shown in Table 3.

TABLE 3. NAPSLP PIN SETTINGS

NAPSLP PIN	MODE
AVSS	Normal
Float	Sleep
AVDD	Nap

The power-down mode can also be controlled through the SPI port, which overrides the NAPSLP pin setting. Details on this are contained in “[Serial Peripheral Interface](#)” on page 26.

## Data Format

Output data can be presented in three formats: two's complement (default), Gray code and offset binary. The data format can be controlled through the SPI port, by writing to address 0x73. Details on this are contained in [“Serial Peripheral Interface” on page 26](#).

Offset binary coding maps the most negative input voltage to code 0x000 (all zeros) and the most positive input to 0xFF (all ones). Two's complement coding simply complements the MSB of the offset binary representation.

When calculating Gray code the MSB is unchanged. The remaining bits are computed as the XOR of the current bit position and the next most significant bit. Figure 33 shows this operation.

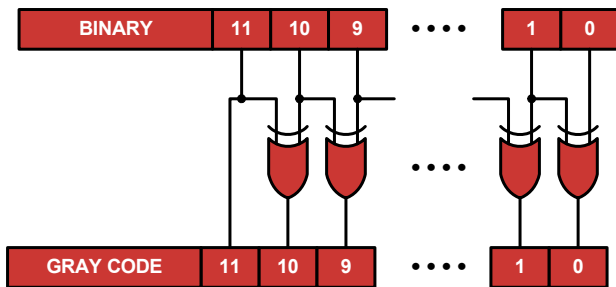


FIGURE 33. BINARY TO GRAY CODE CONVERSION

Converting back to offset binary from Gray code must be done recursively, using the result of each bit for the next lower bit as shown in Figure 34.

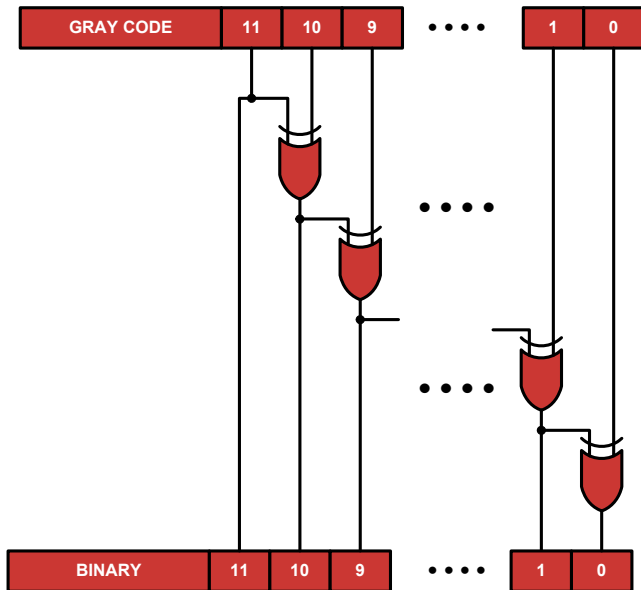


FIGURE 34. GRAY CODE TO BINARY CONVERSION

Mapping of the input voltage to the various data formats is shown in Table 4.

TABLE 4. INPUT VOLTAGE TO OUTPUT CODE MAPPING

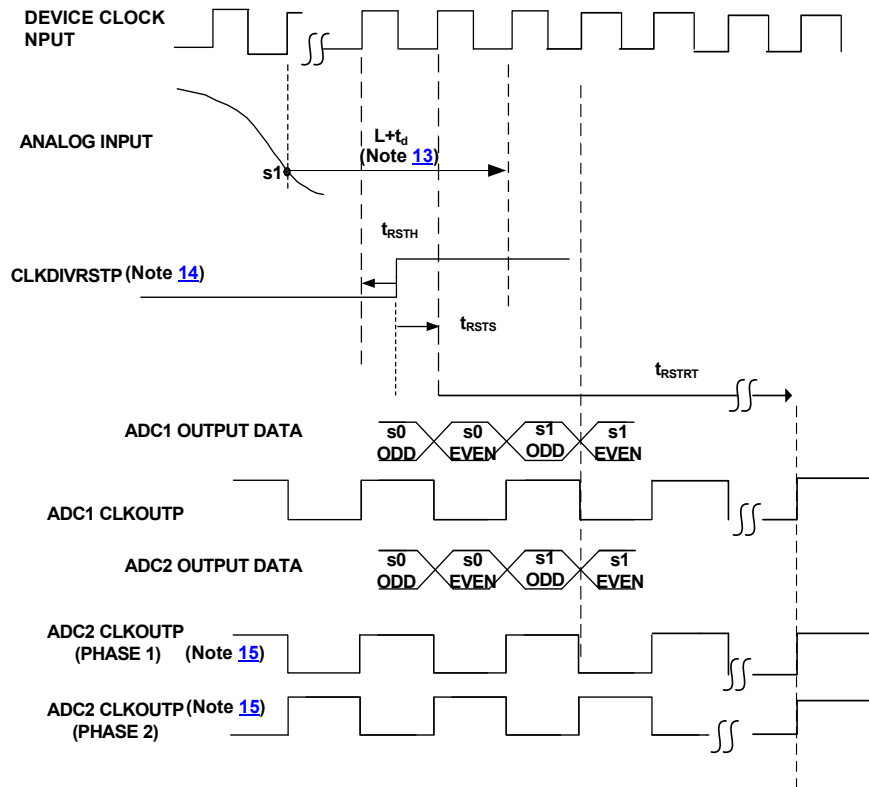
INPUT VOLTAGE	OFFSET BINARY	TWO'S COMPLEMENT	GRAY CODE
-Full Scale	0000 0000 0000	1000 0000 0000	0000 0000 0000
-Full Scale + 1LSB	0000 0000 0001	1000 0000 0001	0000 0000 0001
Mid-Scale	1000 0000 0000	0000 0000 0000	1100 0000 0000
+Full Scale - 1LSB	1111 1111 1110	0111 1111 1110	1000 0000 0001
+Full Scale	1111 1111 1111	0111 1111 1111	1000 0000 0000

## Clock Divider Synchronous Reset

If the selectable clock divider is used, the ADC's internal sample clock will be at half the frequency (DIV=2) or one quarter the frequency (DIV=4) of the device clock. The phase relationship between the sample clock and the device clock is initially indeterminate. An output clock (CLKOUTP, CLKOUTN) is provided to facilitate latching of the sampled data and estimation of the internal sample clock's phase. The output clock has a fixed phase relationship to the sample clock. When the selectable clock divider is set to 2 or 4, the output clock's phase relationship to the sample clock remains fixed but is initially indeterminate with respect to the device clock. When the selectable clock divider is set to 2 or 4, the synchronous clock divider reset feature allows the phase of the internal sample clock and the output clock to be synchronized (refer to Figure 35) with respect to the device clock. This simplifies data capture in systems employing multiple A/Ds where sampling of the inputs is desired to be synchronous.

The reset signal must be well-timed with respect to the sample clock (See "Switching Specifications" on page 14).

A 100Ω differential termination resistor must be supplied between CLKDIVRSTP and CLKDIVRSTN, external to the ADC, (on the PCB) and should be located as close to the CLKDIVRSTP/N pins as possible.



NOTES:

- 13. Delay equals fixed pipeline latency (L cycles of sample clock) plus fixed analog propagation delay,  $t_d$ .
- 14. CLKDIVRSTP setup and hold times are with respect to input sample clock rising edge. CLKDIVRSTN is not shown but must be driven, and is the complement of CLKDIVRSTP.
- 15. Either Output Clock Phase (phase 1 or phase 2) equally likely prior to synchronization.

FIGURE 35. SYNCHRONOUS RESET OPERATION, CLOCK DIVIDE = 2, DDR-MODE

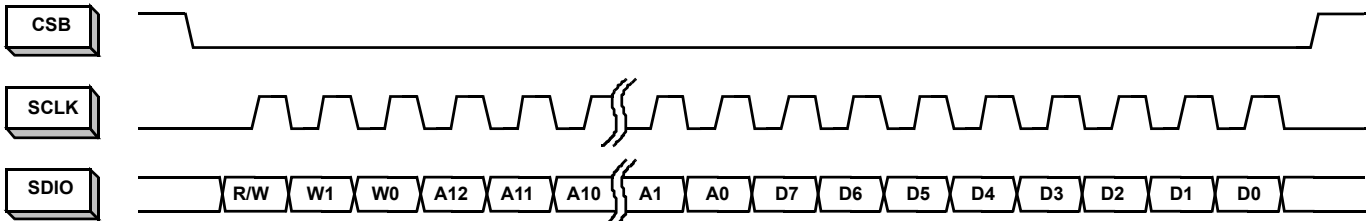


FIGURE 36. MSB-FIRST ADDRESSING

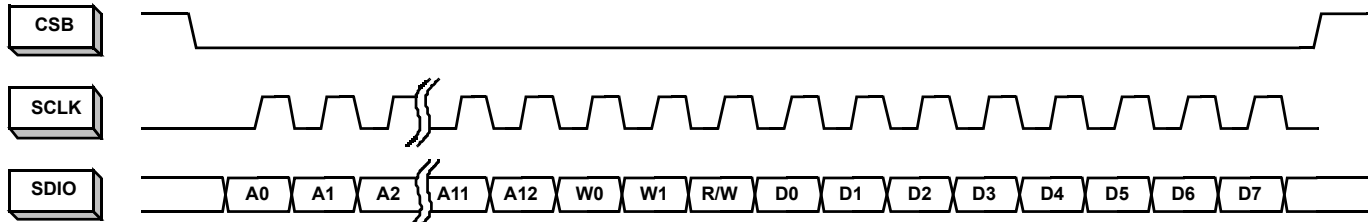
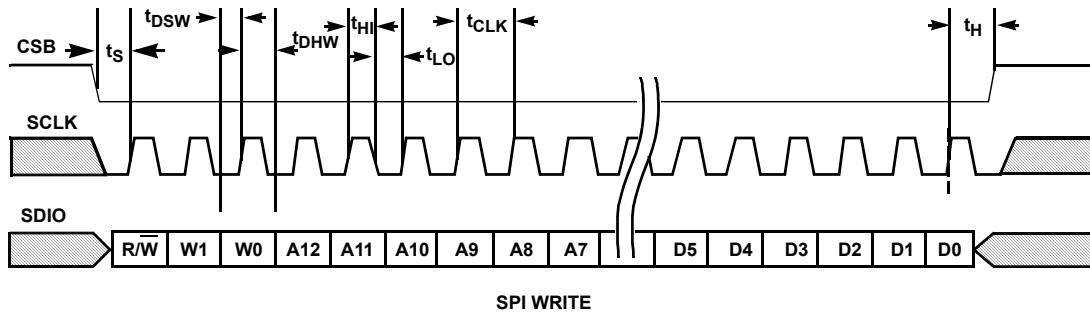
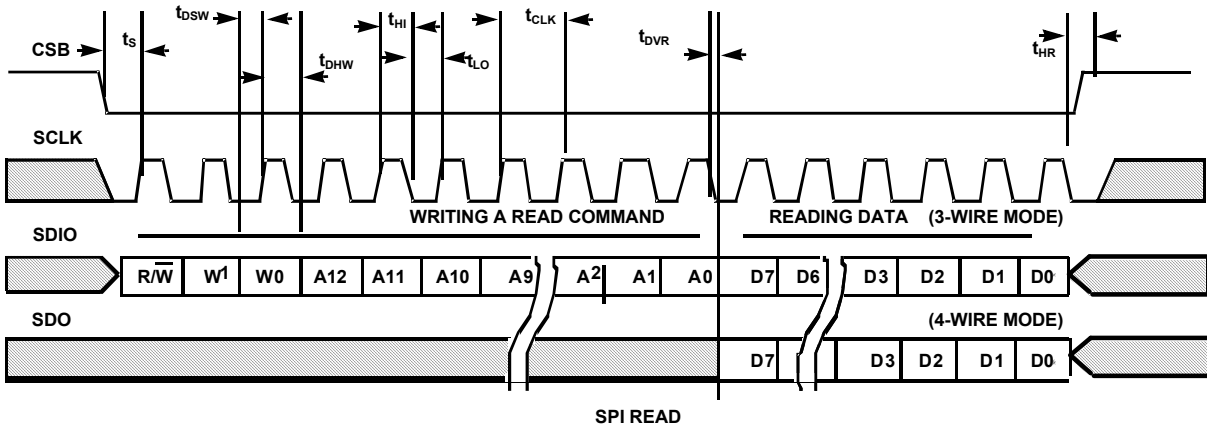


FIGURE 37. LSB-FIRST ADDRESSING

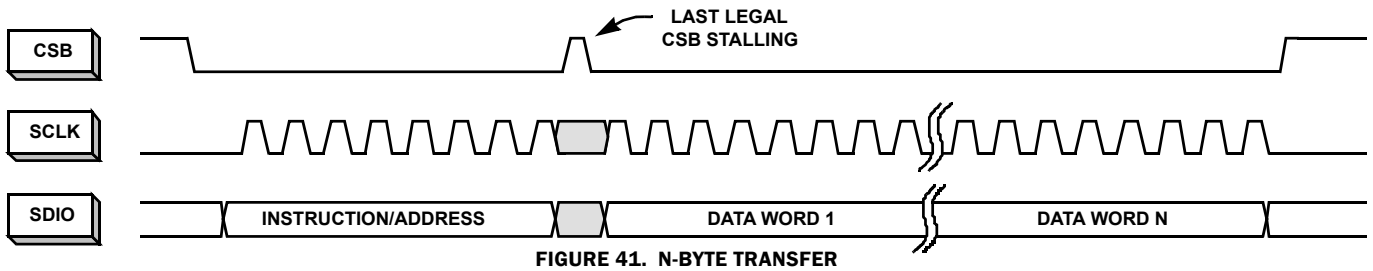
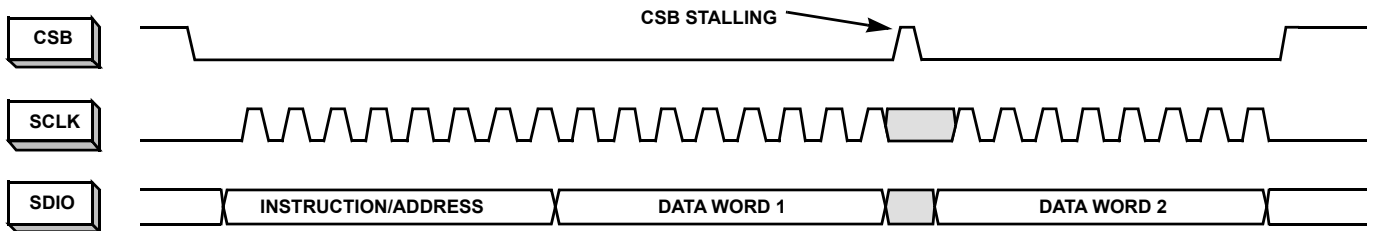




**FIGURE 38. SPI WRITE**



**FIGURE 39. SPI READ**



## Serial Peripheral Interface

A serial peripheral interface (SPI) bus is used to facilitate configuration of the device and to optimize performance. The SPI bus consists of chip select (CSB), serial clock (SCLK) serial data output (SDO), and serial data input/output (SDIO). The maximum SCLK rate is equal to the A/D sample rate ( $f_{\text{SAMPLE}}$ ) divided by 16 for both write operations and read operations. At  $f_{\text{SAMPLE}} = 250\text{MHz}$ , maximum SCLK is 15.63MHz for writing and read operations. There is no minimum SCLK rate.

The following sections describe various registers that are used to configure the SPI or adjust performance or functional parameters. Many registers in the available address space (0x00 to 0xFF) are not defined in this document. Additionally, within a defined register there may be certain bits or bit combinations that are reserved. Undefined registers and undefined values within defined registers are reserved and should not be selected. Setting any reserved register or value may produce indeterminate results.

### SPI Physical Interface

The serial clock pin (SCLK) provides synchronization for the data transfer. By default, all data is presented on the serial data input/output (SDIO) pin in three-wire mode. The state of the SDIO pin is set automatically in the communication protocol (described in the following). A dedicated serial data output pin (SDO) can be activated by setting 0x00[7] high to allow operation in four-wire mode.

The SPI port operates in a half duplex master/slave configuration, with the ISLA212P functioning as a slave. Multiple slave devices can interface to a single master in three-wire mode only, since the SDO output of an unaddressed device is asserted in four wire mode.

The chip-select bar (CSB) pin determines when a slave device is being addressed. Multiple slave devices can be written to concurrently, but only one slave device can be read from at a given time (again, only in three-wire mode). If multiple slave devices are selected for reading at the same time, the results will be indeterminate.

The communication protocol begins with an instruction/address phase. The first rising SCLK edge following a high-to-low transition on CSB determines the beginning of the two-byte instruction/address command; SCLK must be static low before the CSB transition. Data can be presented in MSB-first order or LSB-first order. The default is MSB-first, but this can be changed by setting 0x00[6] high. Figures 36 and 37 show the appropriate bit ordering for the MSB-first and LSB-first modes, respectively. In MSB-first mode, the address is incremented for multi-byte transfers, while in LSB-first mode it is decremented.

In the default mode, the MSB is R/W, which determines if the data is to be read (active high) or written. The next two bits, W1 and W0, determine the number of data bytes to be read or written (see Table 5). The lower 13 bits contain the first address for the data transfer. This relationship is illustrated in Figure 38, and timing values are given in "Switching Specifications" on page 14.

After the instruction/address bytes have been read, the appropriate number of data bytes are written to or read from the A/D (based on the R/W bit status). The data transfer will continue as long as CSB remains low and SCLK is active. Stalling of the CSB pin is allowed at any byte boundary (instruction/address or data) if the number of bytes being transferred is three or less. For transfers of four bytes or more, CSB is allowed to stall in the middle of the instruction/address bytes or before the first data byte. If CSB transitions to a high state after that point the state machine will reset and terminate the data transfer.

TABLE 5. BYTE TRANSFER SELECTION

[W1:W0]	BYTES TRANSFERRED
00	1
01	2
10	3
11	4 or more

Figures 40 and 41 on page 25 illustrate the timing relationships for 2-byte and N-byte transfers, respectively. The operation for a 3-byte transfer can be inferred from these diagrams.

### SPI Configuration

#### ADDRESS 0X00: CHIP\_PORT\_CONFIG

Bit ordering and SPI reset are controlled by this register. Bit order can be selected as MSB to LSB (MSB first) or LSB to MSB (LSB first) to accommodate various micro controllers.

**Bit 7 SDO Active**

**Bit 6 LSB First**

Setting this bit high configures the SPI to interpret serial data as arriving in LSB to MSB order.

**Bit 5 Soft Reset**

Setting this bit high resets all SPI registers to default values.

**Bit 4 Reserved**

This bit should always be set high.

**Bits 3:0** These bits should always mirror bits 4:7 to avoid ambiguity in bit ordering.

#### ADDRESS 0X02: BURST\_END

If a series of sequential registers are to be set, burst mode can improve throughput by eliminating redundant addressing. The burst is ended by pulling the CSB pin high. Setting the burst\_end address determines the end of the transfer; during a write operation, the user must be cautious to transmit the correct number of bytes based on the starting and ending addresses.

**Bits 7:0 Burst End Address**

This register value determines the ending address of the burst data.

**Device Information****ADDRESS 0X08: CHIP\_ID****ADDRESS 0X09: CHIP\_VERSION**

The generic die identifier and a revision number, respectively, can be read from these two registers.

**Device Configuration/Control**

A common SPI map, which can accommodate single-channel or multi-channel devices, is used for all Renesas A/D products.

**ADDRESS 0X20: OFFSET\_COARSE\_ADC0****ADDRESS 0X21: OFFSET\_FINE\_ADC0**

The input offset of the A/D core can be adjusted in fine and coarse steps. Both adjustments are made via an 8-bit word as detailed in Table 6. The data format is two's complement.

The default value of each register will be the result of the self-calibration after initial power-up. If a register is to be incremented or decremented, the user should first read the register value then write the incremented or decremented value back to the same register. Bit 0 in register 0xFE must be set high to enable updates written to 0x20 and 0x21 to be used by the ADC (see description for 0xFE).

**TABLE 6. OFFSET ADJUSTMENTS**

PARAMETER	0x20[7:0] COARSE OFFSET	0x21[7:0] FINE OFFSET
Steps	255	255
-Full Scale (0x00)	-133LSB (-47mV)	-5LSB (-1.75mV)
Mid-Scale (0x80)	0.0LSB (0.0mV)	0.0LSB
+Full Scale (0xFF)	+133LSB (+47mV)	+5LSB (+1.75mV)
Nominal Step Size	1.04LSB (0.37mV)	0.04LSB (0.014mV)

**ADDRESS 0X22: GAIN\_COARSE\_ADC0****ADDRESS 0X23: GAIN\_MEDIUM\_ADC0****ADDRESS 0X24: GAIN\_FINE\_ADC0**

Gain of the A/D core can be adjusted in coarse, medium and fine steps. Coarse gain is a 4-bit adjustment while medium and fine are 8-bit. Multiple Coarse Gain Bits can be set for a total adjustment range of  $\pm 4.2\%$ . ('0011'  $\cong -4.2\%$  and '1100'  $\cong +4.2\%$ ) It is recommended to use one of the coarse gain settings (-4.2%, -2.8%, -1.4%, 0, 1.4%, 2.8%, 4.2%) and fine-tune the gain using the registers at 0x0023 and 0x24.

The default value of each register will be the result of the self-calibration after initial power-up. If a register is to be incremented or decremented, the user should first read the

register value then write the incremented or decremented value back to the same register. Bit 0 in register 0xFE must be set high to enable updates written to 0x23 and 0x24 to be used by the ADC (see description for 0xFE).

**TABLE 7. COARSE GAIN ADJUSTMENT**

0x22[3:0] CORE 0 0x26[3:0] CORE 1	NOMINAL COARSE GAIN ADJUST (%)
Bit3	+2.8
Bit2	+1.4
Bit1	-2.8
Bit0	-1.4

**TABLE 8. MEDIUM AND FINE GAIN ADJUSTMENTS**

PARAMETER	0x23[7:0] MEDIUM GAIN	0x24[7:0] FINE GAIN
Steps	256	256
-Full Scale (0x00)	-2%	-0.20%
Mid-Scale (0x80)	0.00%	0.00%
+Full Scale (0xFF)	+2%	+0.2%
Nominal Step Size	0.016%	0.0016%

**ADDRESS 0X25: MODES**

Two distinct reduced power modes can be selected. By default, the tri-level NAPSLP pin can select normal operation, nap or sleep modes (refer to "[Nap/Sleep](#)" on page 22). This functionality can be overridden and controlled through the SPI. This is an indexed function when controlled from the SPI, but a global function when driven from the pin. This register is not changed by a Soft Reset.

**TABLE 9. POWER-DOWN CONTROL**

VALUE	0x25[2:0] POWER DOWN MODE
000	Pin Control
001	Normal Operation
010	Nap Mode
100	Sleep Mode

**ADDRESS 0X26: OFFSET\_COARSE\_ADC1****ADDRESS 0X27: OFFSET\_FINE\_ADC1**

The input offset of A/D core#1 can be adjusted in fine and coarse steps in the same way that offset for core#0 can be adjusted. Both adjustments are made via an 8-bit word as detailed in Table 6. The data format is two's complement.

The default value of each register will be the result of the self-calibration after initial power-up. If a register is to be incremented or decremented, the user should first read the register value then write the incremented or decremented value back to the same register. Bit 0 in register 0xFE must be set high to enable

updates written to 0x26 and 0x27 to be used by the ADC (see description for 0xFE).

**ADDRESS 0X28: GAIN\_COARSE\_ADC1**

**ADDRESS 0X29: GAIN\_MEDIUM\_ADC1**

**ADDRESS 0X2A: GAIN\_FINE\_ADC1**

Gain of A/D core #1 can be adjusted in coarse, medium and fine steps in the same way that core #0 can be adjusted. Coarse gain is a 4-bit adjustment while medium and fine are 8-bit. Multiple Coarse Gain Bits can be set for a total adjustment range of ±4.2. Bit 0 in register 0xFE must be set high to enable updates written to 0x29 and 0x2A to be used by the ADC (see description for 0xFE).

**Global Device Configuration/Control**

**ADDRESS 0X71: PHASE\_SLIP**

The output data clock is generated by dividing down the A/D input sample clock. Some systems with multiple A/Ds can more easily latch the data from each A/D by controlling the phase of the output data clock. This control is accomplished through the use of the phase\_slip SPI feature, which allows the rising edge of the output data clock to be advanced by one input clock period, as shown in Figure 42. Execution of a phase\_slip command is accomplished by first writing a '0' to bit 0 at address 0x71, followed by writing a '1' to bit 0 at address 0x71.

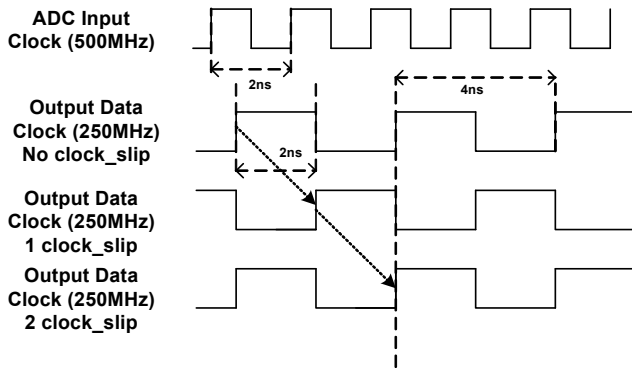


FIGURE 42. PHASE SLIP

**ADDRESS 0X72: CLOCK\_DIVIDE**

The ISLA212P has a selectable clock divider that can be set to divide by four, two or one (no division). By default, the tri-level CLKDIV pin selects the divisor. This functionality can be overridden and controlled through the SPI, as shown in Table 10. This register is not changed by a Soft Reset.

TABLE 10. CLOCK DIVIDER SELECTION

VALUE	0x72[2:0] CLOCK DIVIDER
000	Pin Control
001	Divide by 1
010	Divide by 2
100	Divide by 4
other	Not Allowed

**ADDRESS 0X73: OUTPUT\_MODE\_A**

The output\_mode\_A register controls the physical output format of the data, as well as the logical coding. The ISLA212P can present output data in two physical formats: LVDS (default) or LVCMOS. Additionally, the drive strength in LVDS mode can be set high (default, 3mA or low (2mA).

Data can be coded in three possible formats: two's complement (default), Gray code or offset binary. See Table 12.

This register is not changed by a Soft Reset.

TABLE 11. OUTPUT MODE CONTROL

VALUE	0x73[7:5] OUTPUT MODE
000	LVDS 3mA (Default)
001	LVDS 2mA
100	LVCMOS

TABLE 12. OUTPUT FORMAT CONTROL

VALUE	0x73[2:0] OUTPUT FORMAT
000	Two's Complement (Default)
010	Gray Code
100	Offset Binary

**ADDRESS 0X74: OUTPUT\_MODE\_B**

**Bit 6 DLL Range**

This bit sets the DLL operating range to fast (default) or slow.

Internal clock signals are generated by a delay-locked loop (DLL), which has a finite operating range. Table 13 shows the allowable sample rate ranges for the slow and fast settings.

**Bit 4 DDR Enable**

Set to a '1' to enable DDR.

TABLE 13. DLL RANGES

DLL RANGE	MIN	MAX	UNIT
Slow	40	100	MSPS
Fast	80	250	MSPS

**ADDRESS 0XB6: CALIBRATION STATUS**

The LSB at address 0xB6 can be read to determine calibration status. The bit is '0' during calibration and goes to a logic '1' when calibration is complete. This register is unique in that it can be read after POR at calibration, unlike the other registers on chip, which cannot be read until calibration is complete.

**DEVICE TEST**

The ISLA212P can produce preset or user defined patterns on the digital outputs to facilitate in-situ testing. A user can pick from preset built-in patterns by writing to the output test mode

field [7:4] at 0xC0 or user defined patterns by writing to the user test mode field [2:0] at 0xC0. The user defined patterns should be loaded at address space 0xC1 through 0xD0, see the “[SPI Memory Map](#)” on page 30 for more detail. The predefined patterns are shown in Table 14. The test mode is enabled asynchronously to the sample clock, therefore several sample clock cycles may elapse before the data is present on the output bus.

#### ADDRESS 0XC0: TEST\_IO

##### Bits 7:4 Output Test Mode

These bits set the test mode according to Table 14. Other values are reserved. User test patterns loaded at 0xC1 through 0xD0 are also available by writing ‘1000’ to [7:4] at 0xC0 and a pattern depth value to [2:0] at 0xC0. See “[SPI Memory Map](#)” on page 30.

##### Bits 2:0 User Test Mode

The three LSBs in this register determine the test pattern in combination with registers 0xC1 through 0xD0. Refer to the SPI Memory Map on [page 30](#).

TABLE 14. OUTPUT TEST MODES

VALUE	0xC0[7:4] OUTPUT TEST MODE	WORD 1	WORD 2
0000	Off		
0001	Midscale	0x8000	N/A
0010	Positive Full-Scale	0xFFFF	N/A
0011	Negative Full-Scale	0x0000	N/A
0100	SDR/DDR Dependent	N/A	N/A
0101	Reserved	N/A	N/A
0110	Reserved	N/A	N/A
0111	SDR/DDR Dependent	N/A	N/A
1000	User Pattern	user_patt1	user_patt2
1001	Reserved	N/A	N/A
1010	Ramp	N/A	N/A

#### ADDRESS 0XC1: USER\_PATT1\_LSB

#### ADDRESS 0XC2: USER\_PATT1\_MSB

These registers define the lower and upper eight bits, respectively, of the user-defined pattern 1.

#### ADDRESS 0XC3: USER\_PATT2\_LSB

#### ADDRESS 0XC4: USER\_PATT2\_MSB

These registers define the lower and upper eight bits, respectively, of the user-defined pattern 2

#### ADDRESS 0XC5: USER\_PATT3\_LSB

#### ADDRESS 0XC6: USER\_PATT3\_MSB

These registers define the lower and upper eight bits, respectively, of the user-defined pattern 3

#### ADDRESS 0XC7: USER\_PATT4\_LSB

#### ADDRESS 0XC8: USER\_PATT4\_MSB

These registers define the lower and upper eight bits, respectively, of the user-defined pattern 4.

#### ADDRESS 0XC9: USER\_PATT5\_LSB

#### ADDRESS 0XCA: USER\_PATT5\_MSB

These registers define the lower and upper eight bits, respectively, of the user-defined pattern 5.

#### ADDRESS 0XCB: USER\_PATT6\_LSB

#### ADDRESS 0XCC: USER\_PATT6\_MSB

These registers define the lower and upper eight bits, respectively, of the user-defined pattern 6.

#### ADDRESS 0XCD: USER\_PATT7\_LSB

#### ADDRESS 0XCE: USER\_PATT7\_MSB

These registers define the lower and upper eight bits, respectively, of the user-defined pattern 7.

#### ADDRESS 0XCF: USER\_PATT8\_LSB

#### ADDRESS 0XD0: USER\_PATT8\_MSB

These registers define the lower and upper eight bits, respectively, of the user-defined pattern 8.

#### ADDRESS 0XFE: OFFSET/GAIN\_ADJUST\_ENABLE

Bit 0 at this register must be set high to enable adjustment of offset coarse and fine adjustments (0x20 and 0x21), and gain medium and fine adjustments (0x23 and 0x24). It is recommended that new data be written to the offset and gain adjustment registers and while Bit 0 is a '0'. Subsequently, Bit 0 should be set to '1' to allow the values written to the aforementioned registers to be used by the ADC. Bit 0 should be set to a '0' upon completion.

### Digital Temperature Sensor

#### ADDRESS 0X4B: TEMP\_COUNTER\_HIGH

Bits [2:0] of this register hold the 3 MSBs of the 11-bit temperature code.

Bit [7] of this register indicates a valid temperature\_counter read was performed. A logic '1' indicates a valid read.

#### ADDRESS 0X4C: TEMP\_COUNTER\_LOW

Bits [7:0] of this register hold the lower 8 LSBs of the 11-bit temperature code.

**ADDRESS 0X4D: TEMP\_COUNTER\_CONTROL**

Bit [7] Measurement mode select bit, set to '1' for recommended PTAT mode. '0' (default) is IPTAT mode and is less accurate and not recommended.

Bit [6] Temperature counter enable bit. Set to '1' to enable.

Bit [5] Temperature counter power down bit. Set to '1' to power-down temperature counter.

Bit [4] Temperature counter reset bit. Set to '1' to reset count.

Bit [3:1] Three bit frequency divider field. Sets temperature counter update rate. Update rate is proportional to ADC sample clock rate and divide ratio. A '101' updates the temp counter every ~66µs (for 250MSPS). Faster updates rates result in lower precision.

Bit [0] Select sampler bit. Set to '0'.

This set of registers provides digital access to an PTAT or IPTAT-based temperature sensor, allowing the system to estimate the temperature of the die, allowing easy access to information that can be used to decide when to recalibrate the A/D as needed.

The nominal transfer function of the temperature monitor should be estimated for each device by reading the temperature sensor at two temperatures and extrapolating a line through these two points.

A typical temperature measurement can occur as follows:

1. Write '0xCA' to address 0x4D - enable temp counter, divide = '101'
2. Wait  $\geq 132\mu\text{s}$  (at 250MSPS) - longer wait time ensures the sensor completes one valid cycle.
3. Write '0x20' to address 0x4D - power down, disable temp counter - recommended between measurements. This ensures that the output does not change between MSB and LSB reads.
4. Read address 0x4B (MSBs)
5. Read address 0x4C (LSBs)
6. Record temp code value
7. Write '0x20' to address 0x4D - power-down, disable temp counter.

**SPI Memory Map**

	ADDR. (Hex)	PARAMETER NAME	BIT 7 (MSB)	BIT 6	BIT 5	BIT 4	BIT 3	BIT 2	BIT 1	BIT 0 (LSB)	DEF. VALUE (HEX)	
SPI Config/Control	00	Port_config	SDO Active	LSB First	Soft Reset			Mirror (bit5)	Mirror (bit6)	Mirror (bit7)	00h	
	01	Reserved	Reserved									
	02	Burst_end	Burst end address [7:0]									
	03-07	Reserved	Reserved									
DUT Info	08	Chip_id	Chip ID #									Read only
	09	Chip_version	Chip Version #									Read only
	0A-0F	Reserved	Reserved									

## SPI Memory Map (Continued)

	ADDR. (Hex)	PARAMETER NAME	BIT 7 (MSB)	BIT 6	BIT 5	BIT 4	BIT 3	BIT 2	BIT 1	BIT 0 (LSB)	DEF. VALUE (HEX)	
Device Config/Control	10-1F	Reserved	Reserved									
	20	Offset_coarse_adc0	Coarse Offset									cal. value
	21	Offset_fine_adc0	Fine Offset									cal. value
	22	Gain_coarse_adc0	Reserved				Coarse Gain				cal. value	
	23	Gain_medium_adc0	Medium Gain									cal. value
	24	Gain_fine_adc0	Fine Gain									cal. value
	25	Modes_adc0	Reserved					Power Down Mode ADC0 [2:0] 000 = Pin Control 001 = Normal Operation 010 = Nap 100 = Sleep Other codes = Reserved			00h NOT reset by Soft Reset	
	26	Offset_coarse_adc1	Coarse Offset									cal. value
	27	Offset_fine_adc1	Fine Offset									cal. value
	28	Gain_coarse_adc1	Reserved				Coarse Gain				cal. value	
	29	Gain_medium_adc1	Medium Gain									cal. value
	2A	Gain_fine_adc1	Fine Gain									cal. value
	2B	Modes_adc1	Reserved					Power Down Mode ADC1 [2:0] 000 = Pin Control 001 = Normal Operation 010 = Nap 100 = Sleep Other codes = Reserved			00h NOT reset by Soft Reset	
	2C-2F	Reserved	Reserved									
	30-4A	Reserved	Reserved									
	4B	Temp_counter_high							Temp Counter [10:8]		Read only	
	4C	Temp_counter_low	Temp Counter [7:0]									Read only
	4D	Temp_counter_control		Enable	PD	Reset	Divider [2:0]			Select	00h	
4E-6F	Reserved	Reserved										
70	Skew_diff	Differential Skew									80h	
71	Phase_slip	Reserved								Next Clock Edge	00h	
72	Clock_divide							Clock Divide [2:0] 000 = Pin Control 001 = divide by 1 010 = divide by 2 100 = divide by 4 Other codes = Reserved		00h NOT reset by Soft Reset		
73	Output_mode_A	Output Mode [7:5] 000 = LVDS 3mA (Default) 001 = LVDS 2mA 100 = LVCMOS Other codes = Reserved						Output Format [2:0] 000 = Two's Complement (Default) 010 = Gray Code 100 = Offset Binary Other codes = Reserved			00h NOT reset by Soft Reset	
Device Config/Control	74	Output_mode_B		DLL Range 0 = Fast 1 = Slow Default='0'		DDR Enable					00h NOT reset by Soft Reset	
	75-B5	Reserved	Reserved									
	B6	Cal_status								Calibration Done	Read Only	
	B7-BF	Reserved	Reserved									

## SPI Memory Map (Continued)

	ADDR. (Hex)	PARAMETER NAME	BIT 7 (MSB)	BIT 6	BIT 5	BIT 4	BIT 3	BIT 2	BIT 1	BIT 0 (LSB)	DEF. VALUE (HEX)	
Device Test	C0	Test_io	Output Test Mode [7:4]				User Test Mode [2:0]				00h	
			<b>Part in SDR Mode</b> 0 = Off (Note 15) 1 = Midscale Short 2 = +FS Short 3 = -FS Short 4 = Checkerboard Output (0xAAAA, 0x5555) (Note 16) 7 = 0xFFFF, 0x0000 all on pattern (Note 17) 8 = User Pattern (1 to 8 deep, MSB Justified) 10 = Ramp 5, 6, 9, 11-15 = Reserved  <b>Part in DDR Mode</b> 0 = Off (Note 15) 1 = Midscale Short 2 = +FS Short 3 = -FS Short 4 = Reserved (Note 16) 7 = Reserved (Note 17) 8 = User Pattern (1 to 4 deep, MSB Justified) 10 = Ramp 5, 6, 9, 11-15 = Reserved				<b>Part in SDR Mode</b> 0 = User pattern 1 only 1 = Cycle pattern 1 through 2 2 = Cycle pattern 1 through 3 3 = Cycle pattern 1 through 4 4 = Cycle pattern 1 through 5 5 = Cycle pattern 1 through 6 6 = Cycle pattern 1 through 7 7 = Cycle pattern 1 through 8  <b>Part in DDR Mode</b> 0 = User pattern 1 only 1 = Cycle pattern 1,3 2 = Cycle pattern 1,3,5 3 = Cycle pattern 1,3,5,7 4-7 = NA					
		C1	User_patt1_lsb	B7	B6	B5	B4	B3	B2	B1	B0	0x00
		C2	User_patt1_msb	B15	B14	B13	B12	B11	B10	B9	B8	00h
		C3	User_patt2_lsb	B7	B6	B5	B4	B3	B2	B1	B0	00h
		C4	User_patt2_msb	B15	B14	B13	B12	B11	B10	B9	B8	00h
		C5	User_patt3_lsb	B7	B6	B5	B4	B3	B2	B1	B0	00h
		C6	User_patt3_msb	B15	B14	B13	B12	B11	B10	B9	B8	00h
		C7	User_patt4_lsb	B7	B6	B5	B4	B3	B2	B1	B0	00h
		C8	User_patt4_msb	B15	B14	B13	B12	B11	B10	B9	B8	00h
		C9	User_patt5_lsb	B7	B6	B5	B4	B3	B2	B1	B0	00h
		CA	User_patt5_msb	B15	B14	B13	B12	B11	B10	B9	B8	00h
		CB	User_patt6_lsb	B7	B6	B5	B4	B3	B2	B1	B0	00h
		CC	User_patt6_msb	B15	B14	B13	B12	B11	B10	B9	B8	00h
		CD	User_patt7_lsb	B7	B6	B5	B4	B3	B2	B1	B0	00h
		CE	User_patt7_msb	B15	B14	B13	B12	B11	B10	B9	B8	00h
		CF	User_patt8_lsb	B7	B6	B5	B4	B3	B2	B1	B0	00h
		D0	User_patt8_msb	B15	B14	B13	B12	B11	B10	B9	B8	00h
		D1-FF	Reserved	Reserved								
		FE	Offset/Gain_Adjust_Enable	Reserved							Enable 1 = Enable	00h
	FF	Reserved	Reserved									

## NOTES:

15. During Calibration xCCCC (MSB justified) is presented at the output data bus, toggling on the LSB (and higher) data bits occurs at completion of calibration. This behavior can be used as an option to determine calibration state.
16. Use test\_io = 0x80 and User Pattern 1 = 0x9999 for Checkerboard outputs in DDR mode. In SDR mode, write '0x41' to test\_io for Checkerboard outputs.
17. Use test\_io = 0x80 and User Pattern 1 = 0xAAAA for all ones/zeros outputs in DDR mode. In SDR mode, write '0x71' to test\_io for all ones/zeros outputs.



# Equivalent Circuits

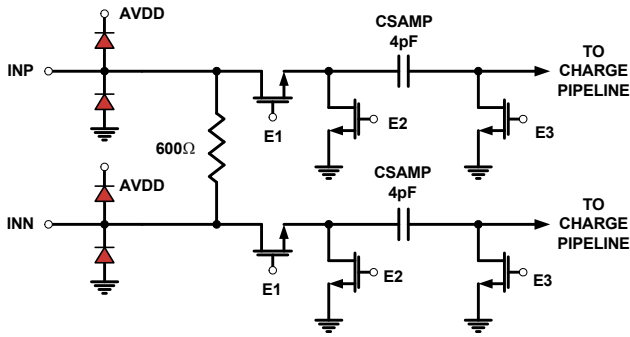


FIGURE 43. ANALOG INPUTS

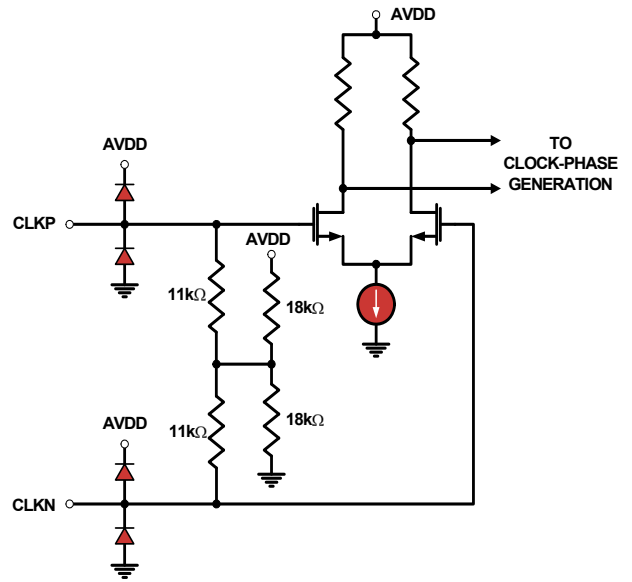


FIGURE 44. CLOCK INPUTS

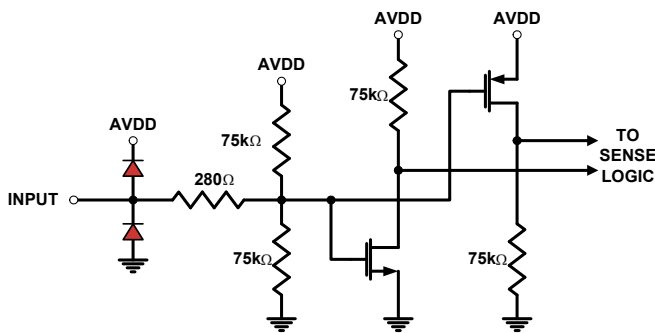


FIGURE 45. TRI-LEVEL DIGITAL INPUTS

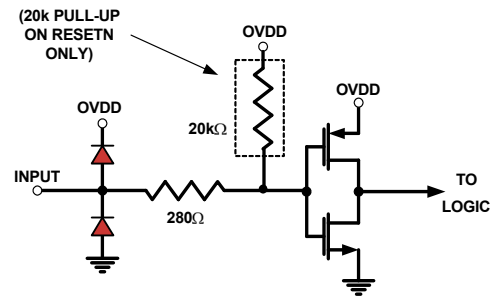


FIGURE 46. DIGITAL INPUTS

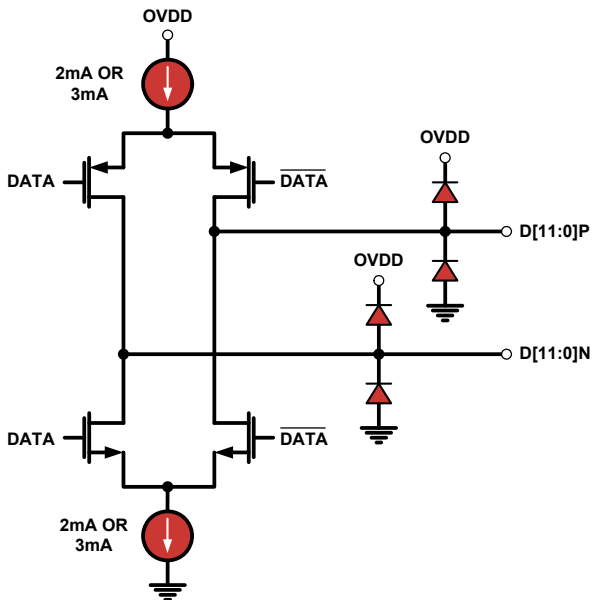


FIGURE 47. LVDS OUTPUTS

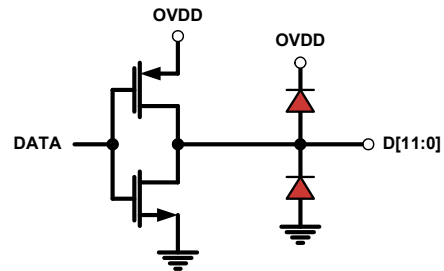


FIGURE 48. CMOS OUTPUTS

## Equivalent Circuits (Continued)

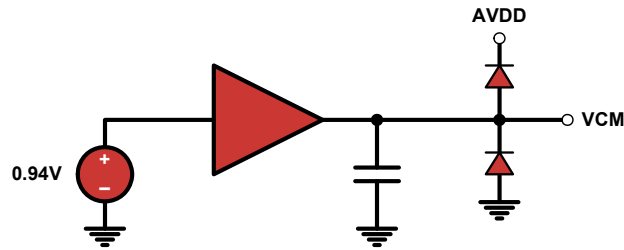


FIGURE 49. VCM\_OUT OUTPUT

## A/D Evaluation Platform

Renesas offers an A/D Evaluation platform that can be used to evaluate any of the Renesas high-speed A/D products. The platform consists of an FPGA-based data capture motherboard and a family of A/D daughtercards. This USB-based platform allows a user to quickly evaluate the A/D performance at user-specific application frequency requirements. More information is available on the [website](#).

## Layout Considerations

### Split Ground and Power Planes

Data converters operating at high sampling frequencies require extra care in PC board layout. Many complex board designs benefit from isolating the analog and digital sections. Analog supply and ground planes should be laid out under signal and clock inputs. Locate the digital planes under outputs and logic pins. Grounds should be joined under the chip.

### Clock Input Considerations

Use matched transmission lines to the transformer inputs for the analog input and clock signals. Locate transformers and terminations as close to the chip as possible.

### Exposed Paddle

The exposed paddle must be electrically connected to analog ground (AVSS) and for optimal thermal performance should be connected to a large copper plane using numerous vias.

### Bypass and Filtering

Bulk capacitors should have low equivalent series resistance. Tantalum is a good choice. For best performance, keep ceramic bypass capacitors very close to device pins. Longer traces increase inductance, resulting in diminished dynamic performance and accuracy. Make sure that connections to ground are direct and low impedance. Avoid forming ground loops.

## LVDS Outputs

Output traces and connections must be designed for  $50\Omega$  ( $100\Omega$  differential) characteristic impedance. Keep traces direct, and minimize bends where possible. Avoid crossing ground and power-plane breaks with signal traces.

## LVC MOS Outputs

Output traces and connections must be designed for  $50\Omega$  characteristic impedance.

## Unused Inputs

Standard logic inputs (RESETN, CSB, SCLK, SDIO, SDO) that are not operated do not require connection to ensure optimal A/D performance. These inputs can be left floating if they are not used. Tri-level inputs (NAPSLP) accept a floating input as a valid state and therefore should be biased according to the desired functionality.

## Definitions

**Analog Input Bandwidth** is the analog input frequency at which the spectral output power at the fundamental frequency (as determined by FFT analysis) is reduced by 3dB from its full-scale low-frequency value. This is also referred to as Full Power Bandwidth.

**Aperture Delay or Sampling Delay** is the time required after the rise of the clock input for the sampling switch to open, at which time the signal is held for conversion.

**Aperture Jitter** is the RMS variation in aperture delay for a set of samples.

**Clock Duty Cycle** is the ratio of the time the clock wave is at logic high to the total time of one clock period.

**Differential Non-Linearity (DNL)** is the deviation of any code width from an ideal 1 LSB step.

**Effective Number of Bits (ENOB)** is an alternate method of specifying Signal to Noise-and-Distortion Ratio (SINAD). In dB, it is calculated as:  $ENOB = (SINAD - 1.76)/6.02$

**Gain Error** is the ratio of the difference between the voltages that cause the lowest and highest code transitions to the full-scale voltage less than 2 LSB. It is typically expressed in percent.

**I2E** The Renesas Interleave Engine. This highly configurable circuitry performs estimates of offset, gain, and sample time skew mismatches between the core converters, and updates analog adjustments for each to minimize interleave spurs.

**Integral Non-Linearity (INL)** is the maximum deviation of the A/D's transfer function from a best fit line determined by a least squares curve fit of that transfer function, measured in units of LSBs.

**Least Significant Bit (LSB)** is the bit that has the smallest value or weight in a digital word. Its value in terms of input voltage is  $V_{FS}/(2^N-1)$  where N is the resolution in bits.

**Missing Codes** are output codes that are skipped and will never appear at the A/D output. These codes cannot be reached with any input value.

**Most Significant Bit (MSB)** is the bit that has the largest value or weight.

**Pipeline Delay** is the number of clock cycles between the initiation of a conversion and the appearance at the output pins of the data.

**Power Supply Rejection Ratio (PSRR)** is the ratio of the observed magnitude of a spur in the A/D FFT, caused by an AC signal superimposed on the power supply voltage.

**Signal to Noise-and-Distortion (SINAD)** is the ratio of the RMS signal amplitude to the RMS sum of all other spectral components below one half the clock frequency, including harmonics but excluding DC.

**Signal-to-Noise Ratio** (without Harmonics) is the ratio of the RMS signal amplitude to the RMS sum of all other spectral components below one-half the sampling frequency, excluding harmonics and DC.

SNR and SINAD are either given in units of dB when the power of the fundamental is used as the reference, or dBFS (dB to full scale) when the converter's full-scale input power is used as the reference.

**Spurious-Free-Dynamic Range (SFDR)** is the ratio of the RMS signal amplitude to the RMS value of the largest spurious spectral component. The largest spurious spectral component may or may not be a harmonic.

## Revision History

The revision history provided is for informational purposes only and is believed to be accurate, but not warranted. Please go to web to make sure you have the latest Rev.

DATE	REVISION	CHANGE
Jul 6, 2021	4.0	Updated links throughout. Updated Ordering Information table format and updated applicable notes. Changed POD from L72.10x10E to L72.10x10G.
Dec 13, 2019	3.0	Updated links throughout. Removed retired parts. Removed About Intersil. Updated Disclaimer.
Nov 21, 2012	2.0	Improved the accuracy and clarity of datasheet.
May 11, 2011	1.0	Initial Release

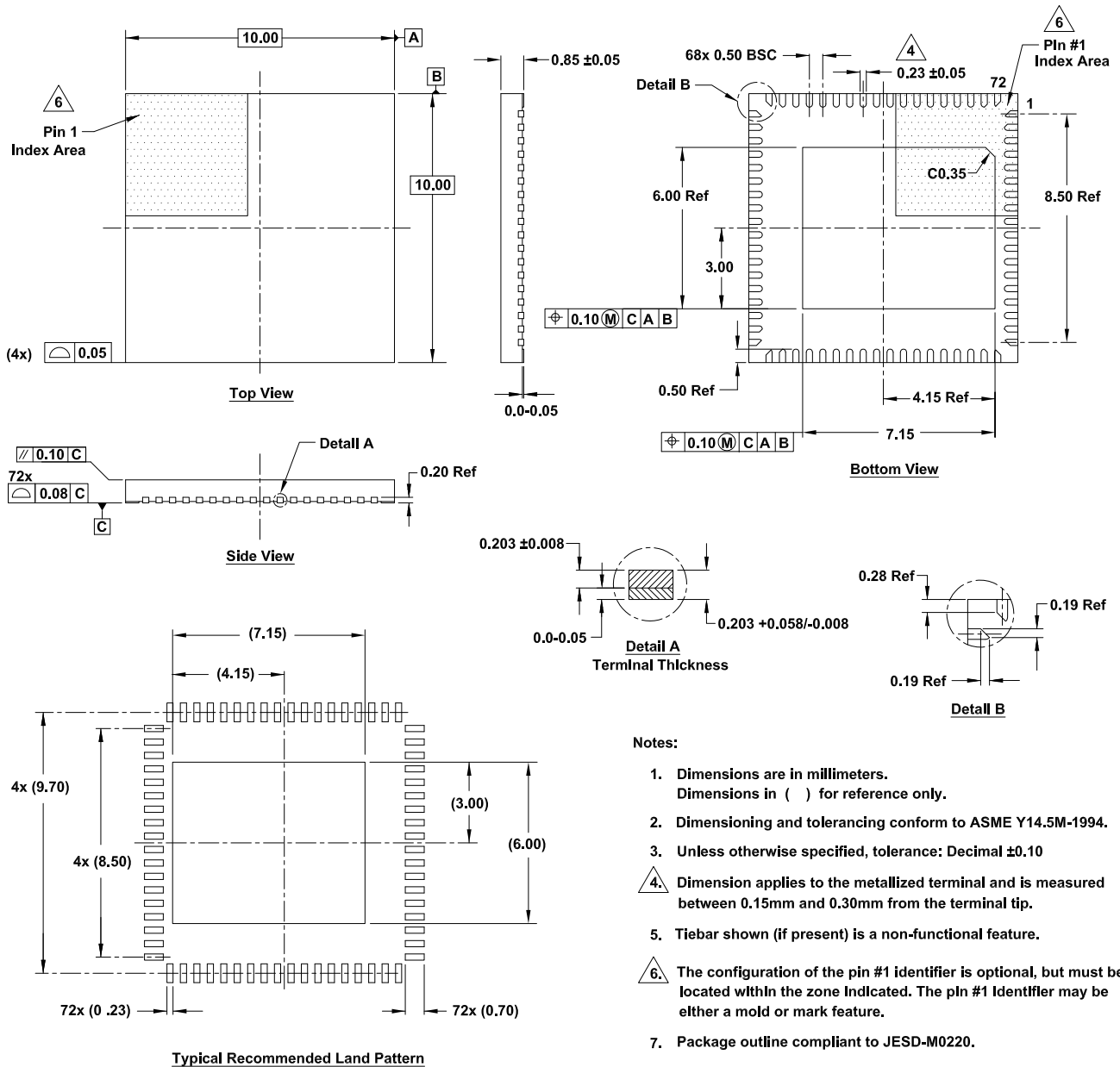
# Package Outline Drawing

For the most recent package outline drawing, see [L72.10x10G](#).

L72.10x10G

72 Lead Quad Flat No-Lead Plastic Package (QFN)

Rev 0, 4/20



**Notes:**

1. Dimensions are in millimeters. Dimensions in ( ) for reference only.
2. Dimensioning and tolerancing conform to ASME Y14.5M-1994.
3. Unless otherwise specified, tolerance: Decimal ±0.10
4. Dimension applies to the metallized terminal and is measured between 0.15mm and 0.30mm from the terminal tip.
5. Tiebar shown (if present) is a non-functional feature.
6. The configuration of the pin #1 identifier is optional, but must be located within the zone indicated. The pin #1 identifier may be either a mold or mark feature.
7. Package outline compliant to JESD-M0220.

## IMPORTANT NOTICE AND DISCLAIMER

RENESAS ELECTRONICS CORPORATION AND ITS SUBSIDIARIES (“RENESAS”) PROVIDES TECHNICAL SPECIFICATIONS AND RELIABILITY DATA (INCLUDING DATASHEETS), DESIGN RESOURCES (INCLUDING REFERENCE DESIGNS), APPLICATION OR OTHER DESIGN ADVICE, WEB TOOLS, SAFETY INFORMATION, AND OTHER RESOURCES “AS IS” AND WITH ALL FAULTS, AND DISCLAIMS ALL WARRANTIES, EXPRESS OR IMPLIED, INCLUDING, WITHOUT LIMITATION, ANY IMPLIED WARRANTIES OF MERCHANTABILITY, FITNESS FOR A PARTICULAR PURPOSE, OR NON-INFRINGEMENT OF THIRD PARTY INTELLECTUAL PROPERTY RIGHTS.

These resources are intended for developers skilled in the art designing with Renesas products. You are solely responsible for (1) selecting the appropriate products for your application, (2) designing, validating, and testing your application, and (3) ensuring your application meets applicable standards, and any other safety, security, or other requirements. These resources are subject to change without notice. Renesas grants you permission to use these resources only for development of an application that uses Renesas products. Other reproduction or use of these resources is strictly prohibited. No license is granted to any other Renesas intellectual property or to any third party intellectual property. Renesas disclaims responsibility for, and you will fully indemnify Renesas and its representatives against, any claims, damages, costs, losses, or liabilities arising out of your use of these resources. Renesas' products are provided only subject to Renesas' Terms and Conditions of Sale or other applicable terms agreed to in writing. No use of any Renesas resources expands or otherwise alters any applicable warranties or warranty disclaimers for these products.

(Rev.1.0 Mar 2020)

### Corporate Headquarters

TOYOSU FORESIA, 3-2-24 Toyosu,  
Koto-ku, Tokyo 135-0061, Japan  
[www.renesas.com](http://www.renesas.com)

### Contact Information

For further information on a product, technology, the most up-to-date version of a document, or your nearest sales office, please visit:  
[www.renesas.com/contact/](http://www.renesas.com/contact/)

### Trademarks

Renesas and the Renesas logo are trademarks of Renesas Electronics Corporation. All trademarks and registered trademarks are the property of their respective owners.