

T-Sensor(AT28_TPS0001AB5K16T20A0) Datasheet

Temperature Sensor IP

Overview

The Renesas Temperature Sensor IP including Analog Buffer outputs a analog voltage which corresponds to the detected temperature of LSI.

Key Features

- Temperature range : -40 to 125 degree C
- Relative accuracy : +/-7 deg. C @ -40 to 80 deg. C, +/-6 deg. C @ 80 to 125 deg.C

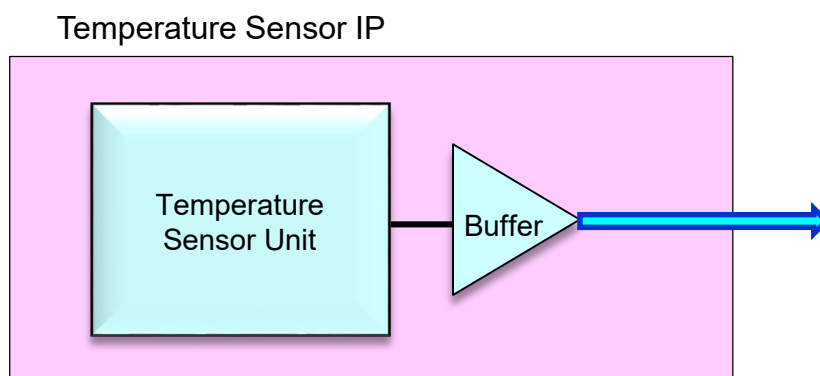
Technology

- Process : T28HPCplus
- Available metallization technologies : 5X2Y2R

Electrical characteristic

Parameter		Min	Typ	Max	Unit
Analog Voltage		1.7		1.9	V
Digital Voltage		0.98		1.08	V
Temperature Range		-40		125	deg. C
Relative Accuracy	-40 to 80 deg. C	-7		+7	deg. C
	80 to 125 deg. C	-6		+6	deg. C
Output Impedance					ohm

Block Diagram



**This IP is contract design IP. Please contact for detail.*