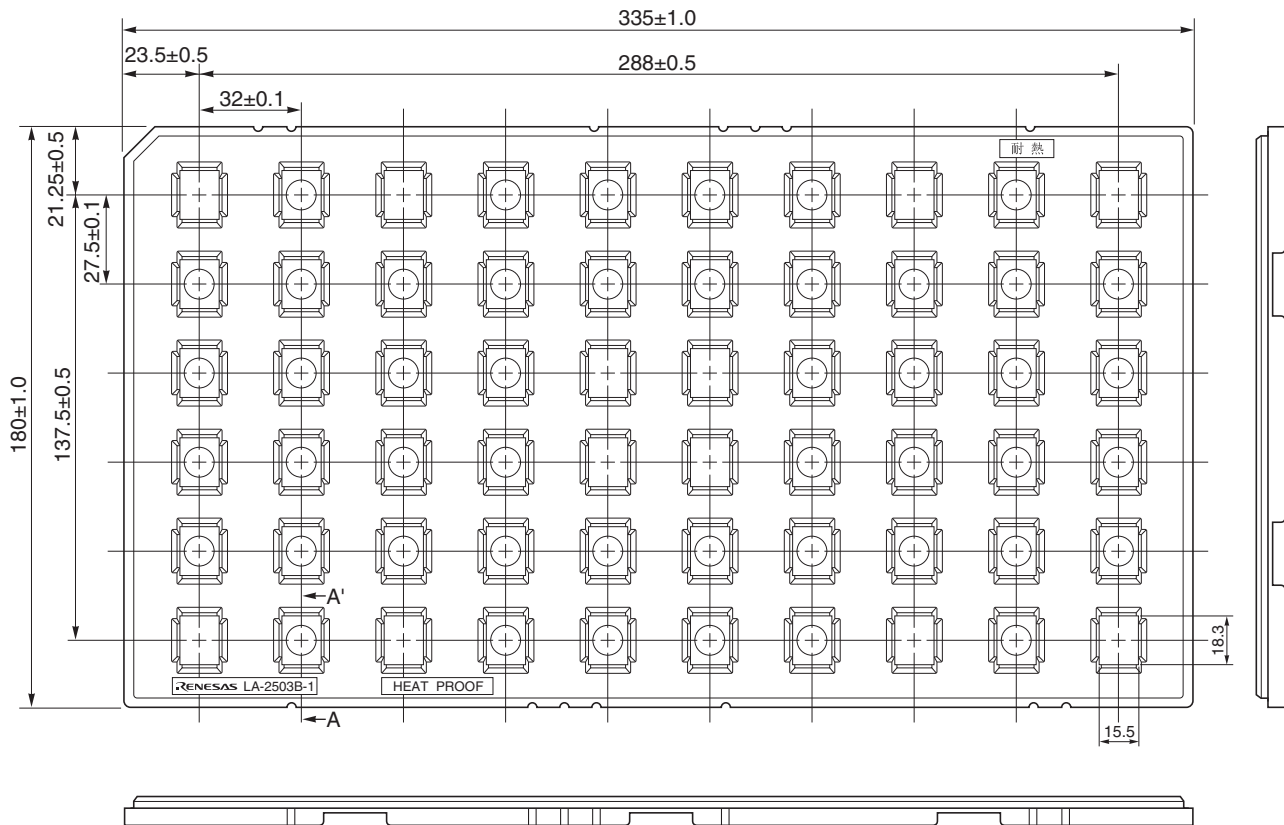
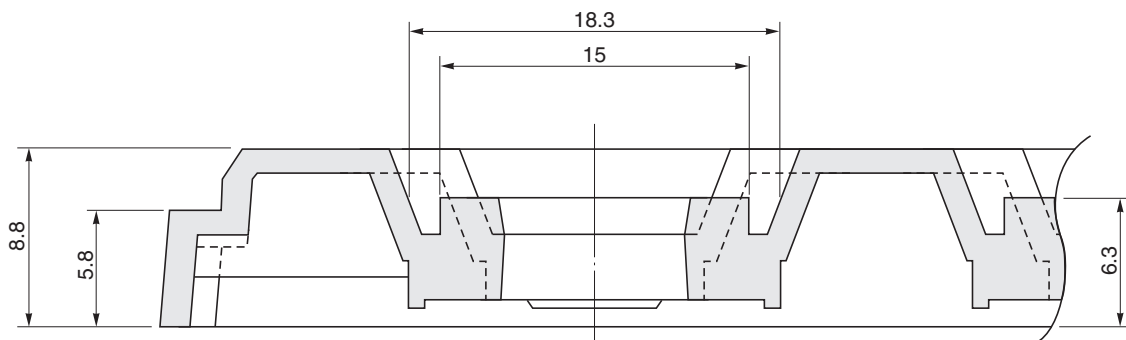


TRAY CONTAINER

Unit : mm



< SECTION A - A' >



Applied Package	Quantity (pcs)
48-pin Plastic TSOP (I) (12x18)	MAX. 60

Tray	LA-2503B-1
Material	Carbon PP
Heat Proof Temp.	125°C
Surface resistance	less than $1 \times 10^6 \Omega / \square$