

## RL78/G14

### Relative Humidity Sensor (Pmod HYGRO) Device Sample

---

This document describes a Renesas microcontroller RL78/G14 application for Relative Humidity Sensor (Pmod HYGRO).

#### Target Device

RL78/G14

When applying the sample program covered in this document to another microcomputer, modify the program according to the specifications for the target microcomputer and conduct an extensive evaluation of the modified program.

---

**Contents**

<b>1. Description .....</b>	<b>3</b>
<b>1.1 Abstract.....</b>	<b>3</b>
<b>1.2 Specifications and Main Technical Parameters.....</b>	<b>3</b>
<b>2. RL78/G14 Microcontroller .....</b>	<b>4</b>
<b>2.1 RL78/G14 Block Diagram .....</b>	<b>4</b>
<b>2.2 Key Features.....</b>	<b>5</b>
<b>2.3 Pin Configuration .....</b>	<b>6</b>
<b>3. System Outline .....</b>	<b>7</b>
<b>3.1 Principle Introduction .....</b>	<b>7</b>
<b>3.2 Peripheral Functions to be Used .....</b>	<b>9</b>
<b>3.3 Pins to be Used .....</b>	<b>9</b>
<b>3.4 Operating Instructions.....</b>	<b>10</b>
<b>4. Hardware.....</b>	<b>11</b>
<b>5. Software .....</b>	<b>12</b>
<b>5.1 Integrated Development Environment .....</b>	<b>12</b>
<b>5.2 Option Byte .....</b>	<b>12</b>
<b>5.3 Operation Outline .....</b>	<b>13</b>
<b>5.4 Flow Chart.....</b>	<b>14</b>
<b>5.4.1 Main Processing.....</b>	<b>14</b>
<b>6. How to Build .....</b>	<b>15</b>
<b>6.1 e2studio.....</b>	<b>15</b>
<b>6.2 Writing mot file using Renesas Flash Programmer .....</b>	<b>15</b>
<b>7. Sample Code .....</b>	<b>16</b>
<b>8. Reference Documents.....</b>	<b>16</b>

## 1. Description

### 1.1 Abstract

The Relative Humidity Sensor Device Sample is a precision relative humidity sensor using the RL78/G14 Fast Prototyping Board and the Digilent PMOD HYGRO. With an OLED screen, it makes the relative humidity and temperature information well displayed and shows different levels of temperature and humidity in different colors. The backlight makes it possible to view the screen and every detail from every angle, even in the dark night.

The RL78/G14 Fast Prototyping Board comes equipped with a high-performance RL78/G14 microcontroller and is an evaluation board specialized for prototype development for a variety of applications. It has a built-in emulator circuit that is equivalent to an E2 emulator Lite so you can write/debug programs without additional tools. In addition, with Arduino Uno and Pmod™ interfaces included standard and through-hole access to all pins of the microcontroller, and so on, it has high expandability.

The Pmod HYGRO is a relative humidity sensor with integrated temperature sensor for highly accurate measurements at low power. With the TI HDC1080, you can determine the relative humidity of the environment with up to 14 bits of resolution. The Pmod HYGRO is designed to digitally report the relative humidity and ambient temperature upon request by the host board. Up to 14 bits of resolution for each sensor may be collected by allowing for longer conversion times. A resistive heating element can be enabled to test the sensor or to drive off condensation that accumulates on the sensor after being consistently exposed to high humidity conditions.

### 1.2 Specifications and Main Technical Parameters

#### Technical Parameters

Power Supply	USB power supply (5 V)
Operating Voltage (MCU)	3.3 V
Operating Temperature:	Ambient temperature
OLED Display Pattern	12 cha * 4

#### Specifications

Function:

Detect relative humidity with the Digilent PMOD HYGRO.

Display all the relative humidity and temperature information on an OLED screen.

Information in different colors on the OLED screen correspond to different levels of relative humidity and temperature.

2. RL78/G14 Microcontroller

2.1 RL78/G14 Block Diagram

Figure 2.1 shows the block diagram of RL78/G14 (80-pin products).

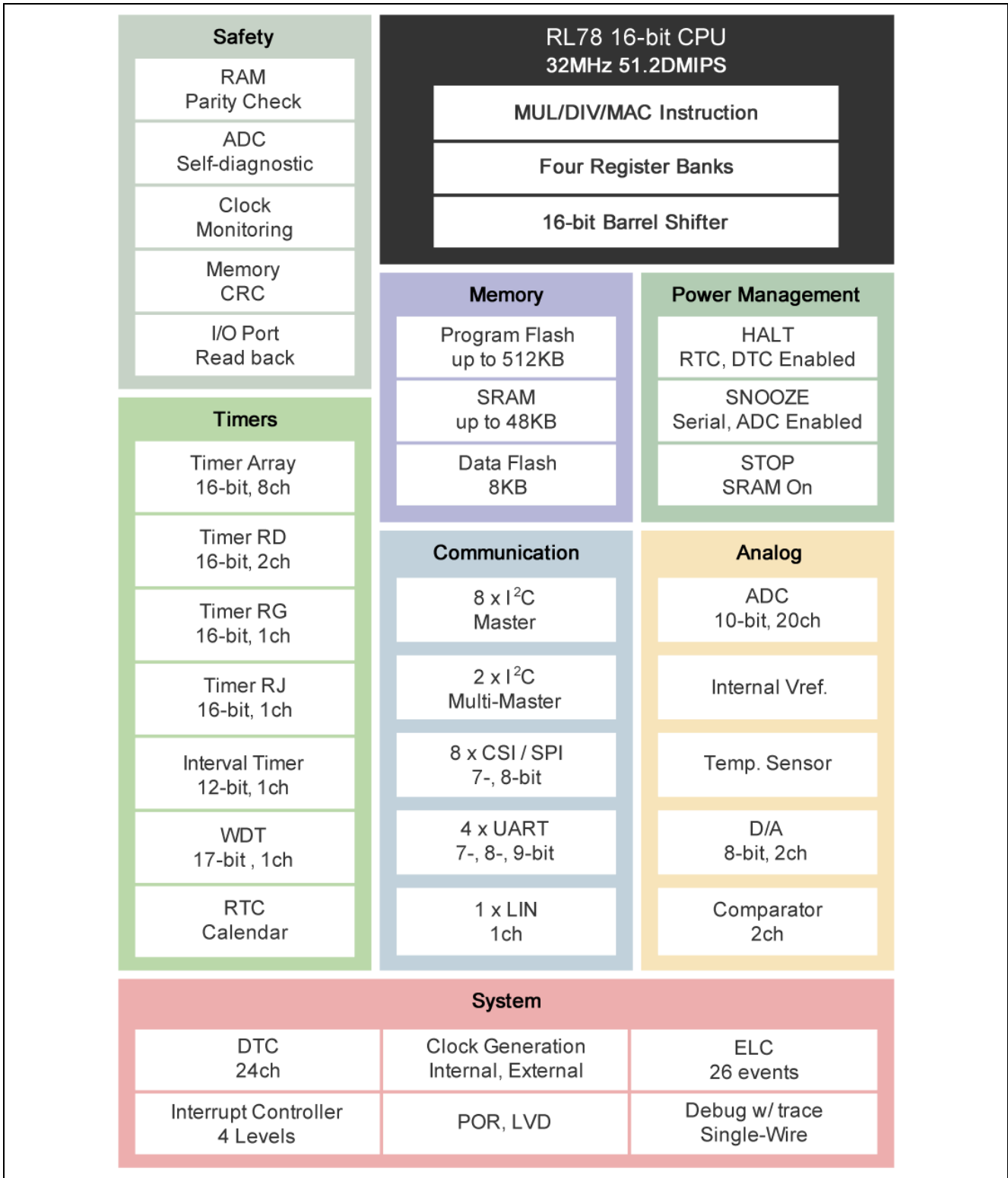


Figure 2.1 RL78/G14 Block Diagram

## 2.2 Key Features

- Minimum instruction execution time: Can be changed from high speed (0.03125  $\mu$ s @ 32 MHz operation with high-speed on-chip oscillator) to ultra-low speed (30.5  $\mu$ s @ 32.768 kHz operation with subsystem clock)
- General-purpose registers: (8-bit register  $\times$  8)  $\times$  4 banks
- ROM: 512 KB, RAM: 48 KB, data flash: 8 KB
- Selectable high-speed on-chip oscillator clock: 64/48/32/24/16/12/8/6/4/3/2/1 MHz (TYP.)
- On-chip debug function
- On-chip selectable power-on-reset (POR) circuit
- On-chip voltage detector (LVD)
- On-chip watchdog timer (operable with the dedicated low-speed on-chip oscillator)
- On-chip key interrupt function
- On-chip clock output/buzzer output controller
- On-chip BCD (binary-coded decimal) correction circuit
- I/O port: 52
- Timer
  - 16-bit timer: 8 channels
  - 12-bit interval timer: 1 channel
- Serial interface
  - CSI: 8 channels
  - UART: 4 channels
  - Simplified I<sup>2</sup>C communication: 8 channels
  - Multi-master I<sup>2</sup>C communication: 2 channels
- 8/10-bit resolution A/D converter: 17 channels
- 8-bit resolution D/A converter: 2 channels
- Comparator: 2 channels
- Data transfer controller (DTC)
- Event link controller (ELC)
- Standby function: HALT mode or STOP mode or SNOOZE mode
- Power supply voltage:  $V_{DD} = 1.6$  to 5.5 V
- Operating ambient temperature:  $T_A = -40$  to +85°C

RL78/G14 microcontrollers balance the industry's lowest level of consumption current (CPU: 66  $\mu$ A/MHz, standby (STOP): 240 nA) and a high calculation performance of 51.2 DMIPS (32 MHz). The built-in high-function timer supports three-phase motor control using three-phase complementary PWM output. They have an on-chip oscillator, data flash, A/D and D/A converters, comparator, and more. Built-in safety features (function that detects illegal operation of hardware) enable support for the household appliance safety standard (IEC/UL 60730). With a broad 30 to 100-pin lineup and up to 512 KB on-chip flash memory, these microcontrollers can be used in a wide variety of applications such as motor control and consumer and industrial equipment.

### 2.3 Pin Configuration

Figure 2.2 shows the pin configuration of RL78/G14 (80-pin products).

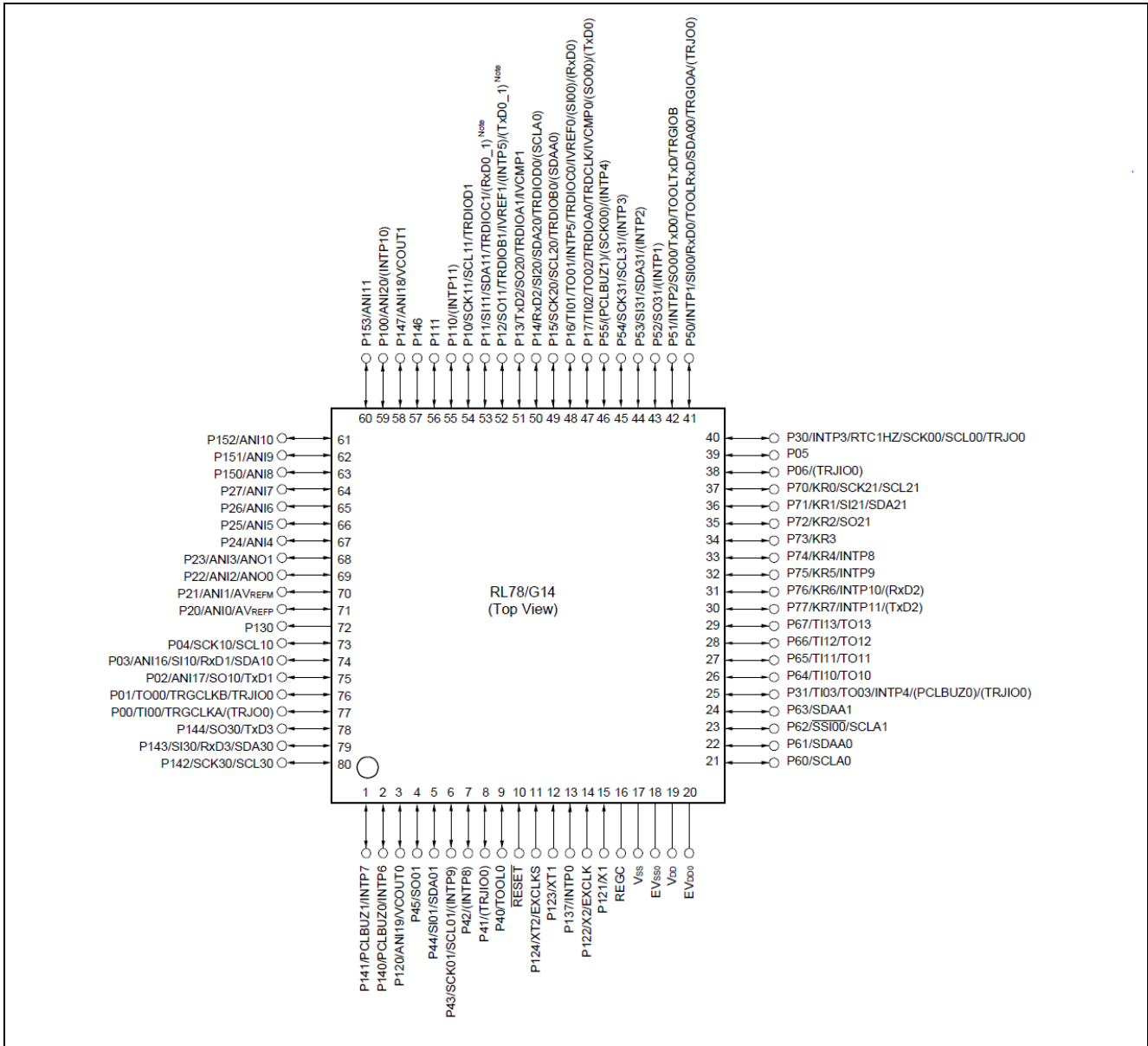


Figure 2.2 RL78/G14 (80-pin products) Pin Configuration

Note: Mounted on the 384 KB or more code flash memory products.

### 3. System Outline

#### 3.1 Principle Introduction

The Relative Humidity Sensor Device Sample uses an RL78/G14 microcontroller and the Digilent PMOD HYGRO. After detecting the relative humidity and temperature, the MCU (RL78/G14) sends the sensing data to the Pmod OLEDrgb module and visualizes the corresponding information on the OLED screen. Figure 3.1 shows the system composition. Figure 3.2 shows the system block diagram. Figure 3.3 shows the connection of RL78/G14 FPB, PMOD OLED RGB and the Digilent PMOD HYGRO.

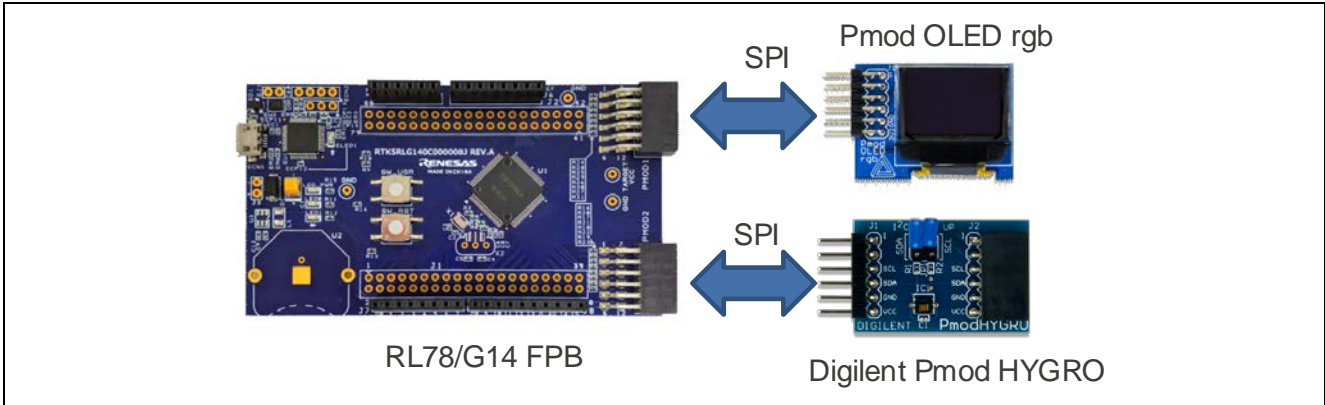


Figure 3.1 System Composition

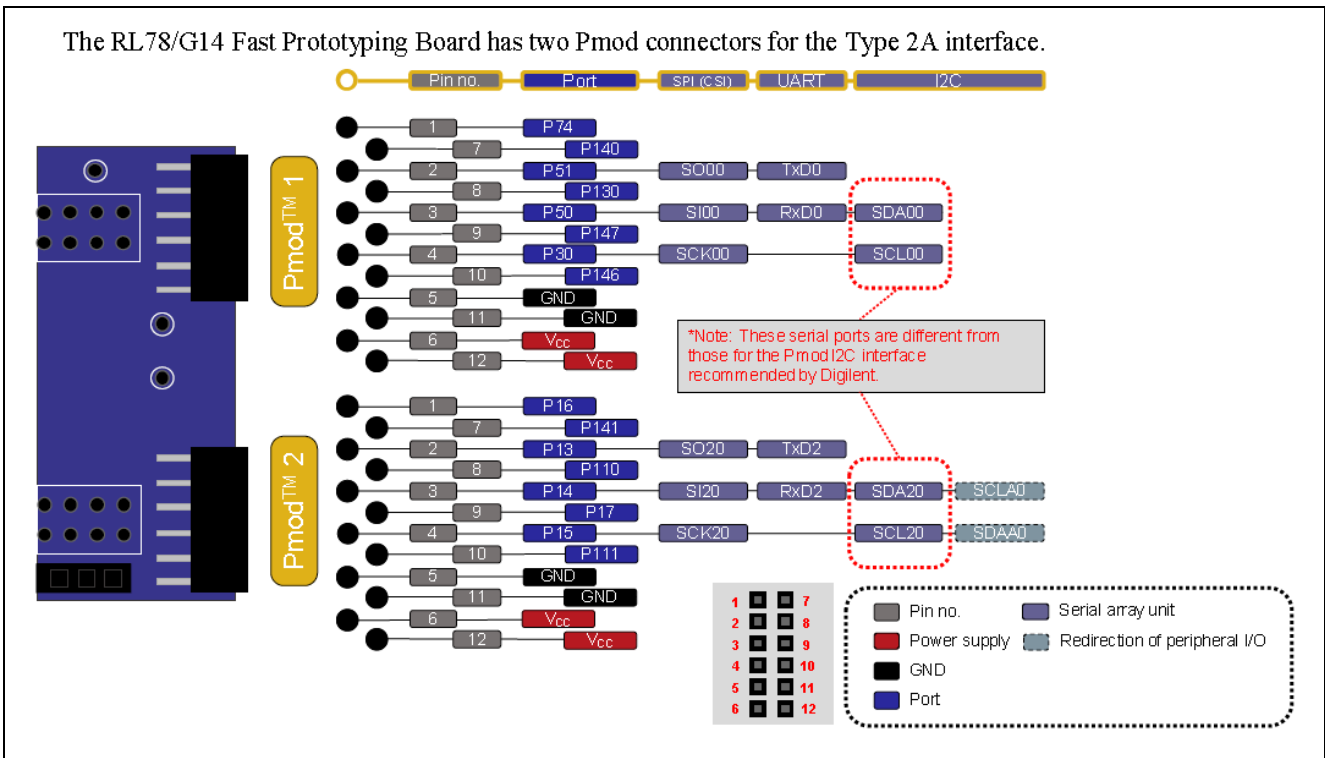


Figure 3.2 RL78/G14 FPB PMOD Interface

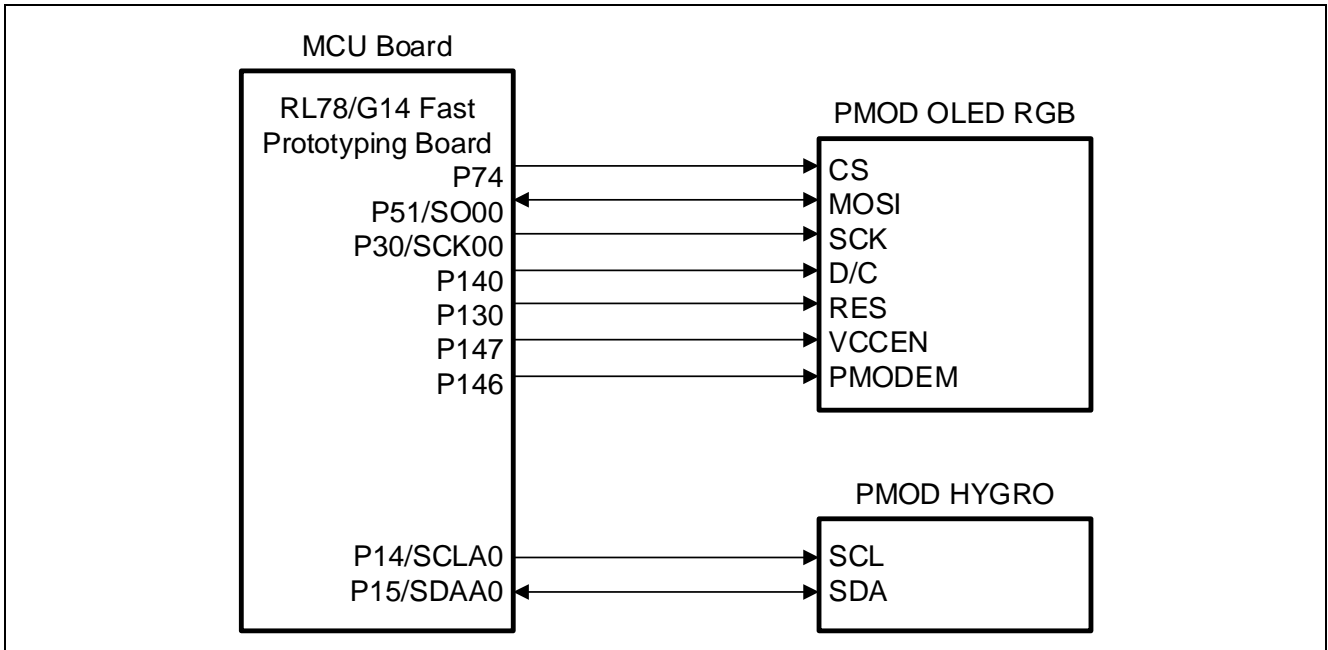


Figure 3.3 Connection of RL78/G14 FPB, PMOD OLED RGB and the Digilent PMOD HYGRO



### 3.2 Peripheral Functions to be Used

Table 3.1 lists the peripheral functions to be used and their usage.

**Table 3.1 Peripheral Functions to be Used**

Peripheral Function	Usage
TAU0 Channel0	Count 1us interval using interval timer mode.
Real-time Clock	Count real-time clock and generate interrupts of 1s.
3-wire serial (CSI00)	Control OLED to display color.
Serial Interface IICA (IICA0)	Get the color data from the sensor.

### 3.3 Pins to be Used

Table 3.2 lists the pins to be used and their function.

**Table 3.2 Pins to be Used**

Pin Name	Description
P74	Control CS (Chip Select) pin of PMOD OLED RGB
P51/SO00	Communicate with PMOD OLED RGB through MOSI (Master-Out-Slave-In) pin
P30/SCK00	Communicate with PMOD OLED RGB through SCK (Serial Clock) pin
P140	Control D/C (Data/Command) pin of PMOD OLED RGB
P130	Control RES pin of PMOD OLED RGB
P147	Control VCCEN pin of PMOD OLED RGB
P146	Control PMODEN pin of PMOD OLED RGB
P15/SDAA0	Clock signal: Communicate with color sensor through SDAA0 pin
P14/SCLA0	Data signal: Communicate with color sensor through SCLA0 pin
VDD	Power supply voltage
GND	Ground

### 3.4 Operating Instructions

- (1) Once powered on, the system begins to initialize.
- (2) After initialization, the MCU (RL78/G14) enters the STOP mode.
- (3) The application controls the MCU (RL78/G14) to wake up from STOP mode by interrupt RTC.
- (4) After waking up, the MCU (RL78/G14) starts to get the sensor measurement result, and sends it to the OLED to visualize.
- (5) Finishing to visualize, and the MCU (RL78/G14) enters STOP mode again, waiting for interrupts.

Display pattern: (12char \*4 row)

Use different colors to display the sensor data

		R	E	N	E	S	A	S			
T	e	m	p	:		x	x	.	x		C
H	u	m	d	:		x	x	.	x		%

Table 3.3 OLED Display Color

Item	Range	OLED Display Color
Temperature	14.9 or low °C	Blue char
	15.0 – 24.9°C	Green char
	25.0 – 39.9°C	Yellow char
	40.0 or more °C	Red char
Humidity	0.0 – 14.9%	Red char
	15.0 – 39.9%	Yellow char
	40.0 – 69.9%	Green char
	70.0 – 100%	Blue char

### 4. Hardware

This section describes how the RL78/G14 Fast Prototyping Board measures the relative humidity via the Digilent Pmod HYGRO. And the relative humidity sensing data is displayed on pmod OLED rgb.

About the details of pmod OLED rgb, please refer to the following linkage.

<https://reference.digilentinc.com/reference/pmod/pmodoledrgb/start>

About the details of Digilent pmod HYGRO, please refer to the following linkage.

<https://store.digilentinc.com/pmod-hygro-digital-humidity-and-temperature-sensor/>

Figure 4.1 shows the hardware composition. Figure 4.2 shows the RL78/G14 FPB Board Layout (Top Side).

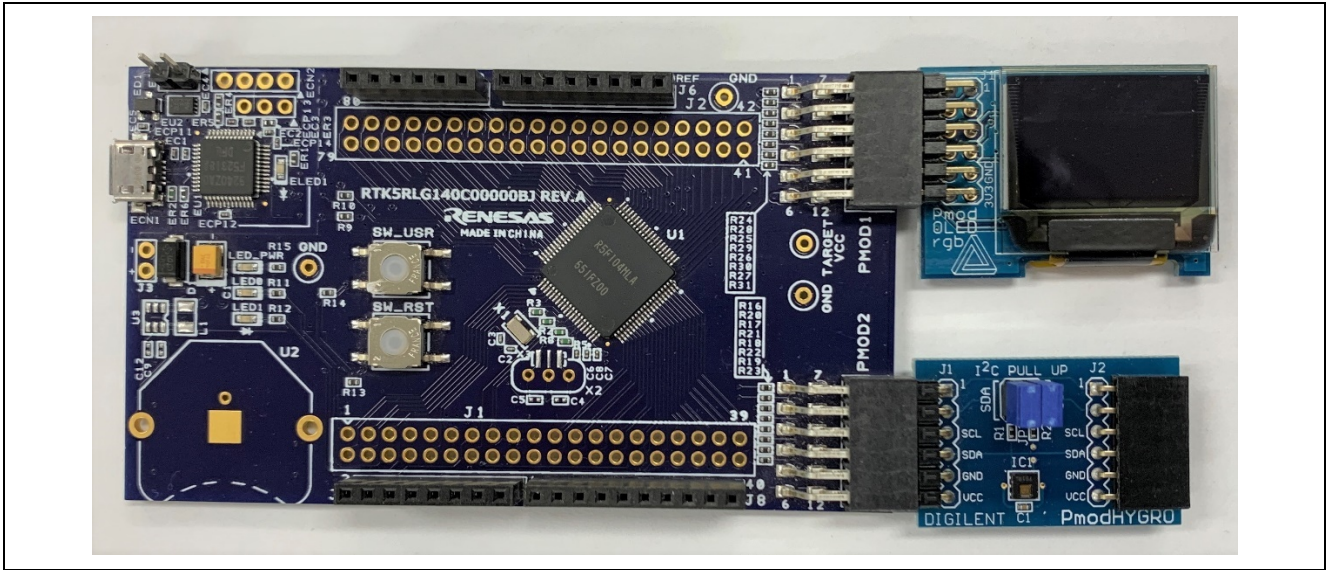


Figure 4.1 Hardware Composition

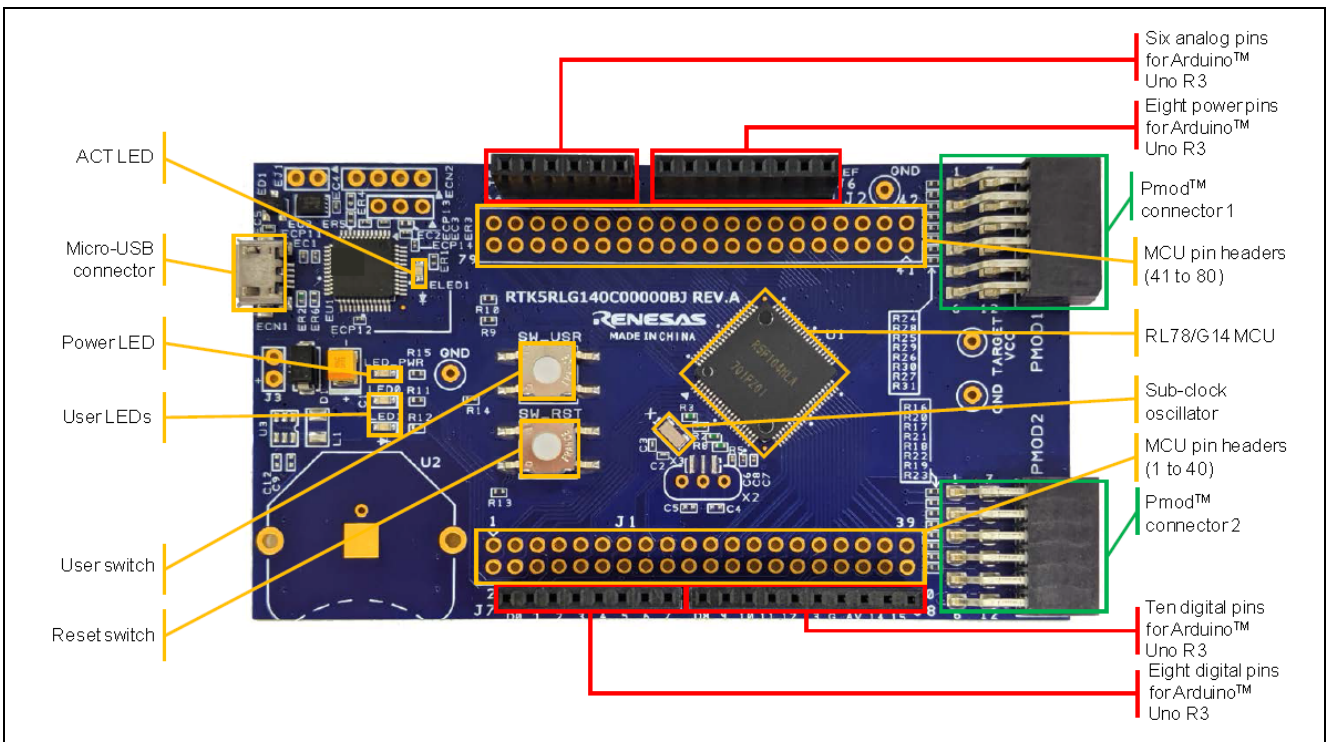


Figure 4.2 RL78/G14 FPB Board Layout (Top Side)

## 5. Software

### 5.1 Integrated Development Environment

The sample code described in this chapter has been checked under the conditions listed in the table below.

**Table 5.1 Operation Check Conditions**

Item	Description
Microcontroller used	RL78/G14 (R5F104ML)
Operating frequency	High-speed on-chip oscillator (HOCO) clock: 32 MHz CPU/peripheral hardware clock: 32 MHz Low-speed on-chip oscillator clock: 15 kHz
Operating voltage	3.3 V (can run on a voltage range of 2.7 V to 5.5 V) LVD: Interrupt & reset mode Reset generation level ( $V_{LVDL}$ ): 1.63 V Interrupt generation level ( $V_{LV DH}$ ): 1.73 V
Integrated development environment (CS+)	CS+ for CC (RL78, RX, RH850) V8.04.00 from Renesas Electronics Corp.
C compiler (CS+)	Renesas CCRL v1.09.00
Integrated development environment (e <sup>2</sup> studio)	e <sup>2</sup> studio V7.7.0 from Renesas Electronics Corp.
C compiler (e <sup>2</sup> studio)	Renesas CCRL v1.09.00

### 5.2 Option Byte

Table 5.2 summarizes the settings of the option bytes.

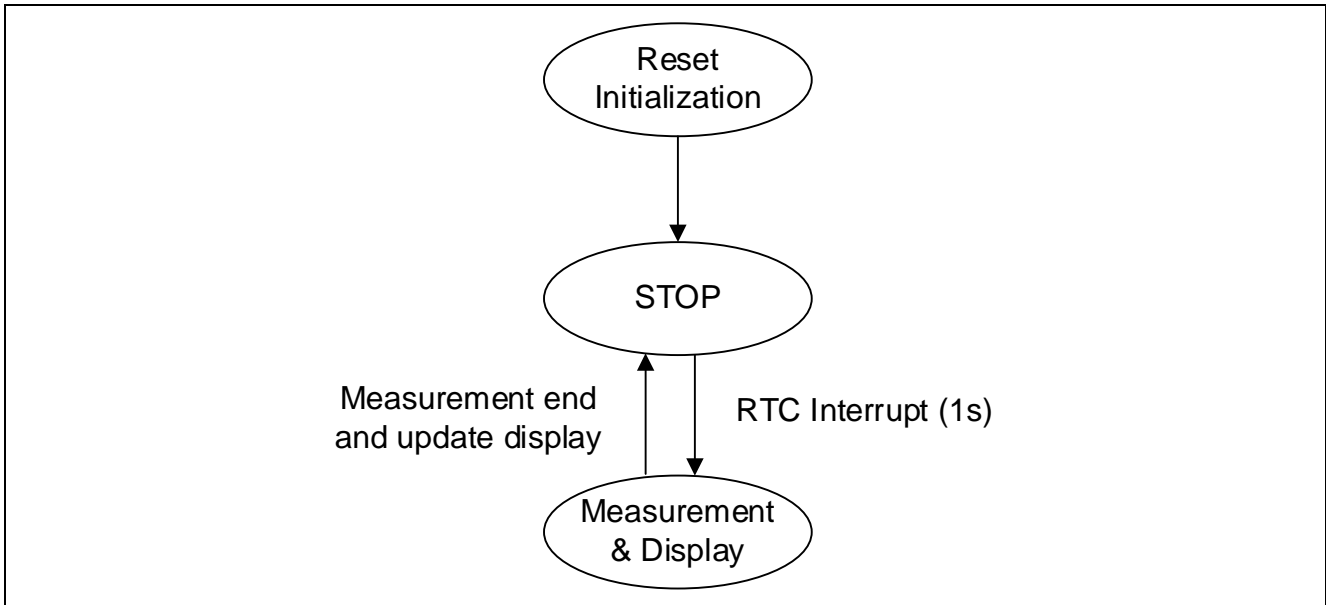
**Table 5.2 Option Byte Settings**

Address	Value	Description
000C0H/010C0H	11101111B	Watchdog timer counter operation disabled (counting stopped after reset)
000C1H/010C1H	00011010B	LVD: Interrupt & reset mode $V_{LV DH}$ : Rising edge: 1.77 V, Falling edge: 1.73 V $V_{LV DL}$ : Falling edge: 1.63 V
000C2H/010C2H	11111000B	HS mode, $f_{HOCO}$ : 32 MHz CPU clock $f_{CLK}$ : 32 MHz
000C3H/010C3H	10000100B	Enables on-chip debugging

### 5.3 Operation Outline

The tasks of the entire system are listed as below: Reset/Initialization, STOP mode, Measurement and Display mode.

Figure 5.1 shows the block diagram for the tasks transition.



**Figure 5.1 Tasks Transition Block Diagram**

#### (1) Reset / Initialization

When the system is powered on, it will enter the initialization operation. The OLED is powered on and cleared. Then it displays Renesas logo and other default characters. The Digilent PMOD HYGRO is initialized. CSI00, CSI20, TAU00, RTC and I/O pins will be initialized.

#### (2) STOP mode

After initialization, the MCU enters the STOP mode and waits for an RTC interrupt to wake up.

#### (3) Measurement and Display mode

After waking up, the MCU starts to get the sensor measurement result and sends the information to the OLED to display.

5.4 Flow Chart

5.4.1 Main Processing

Figure 5.2 shows the flowchart for main processing routine.

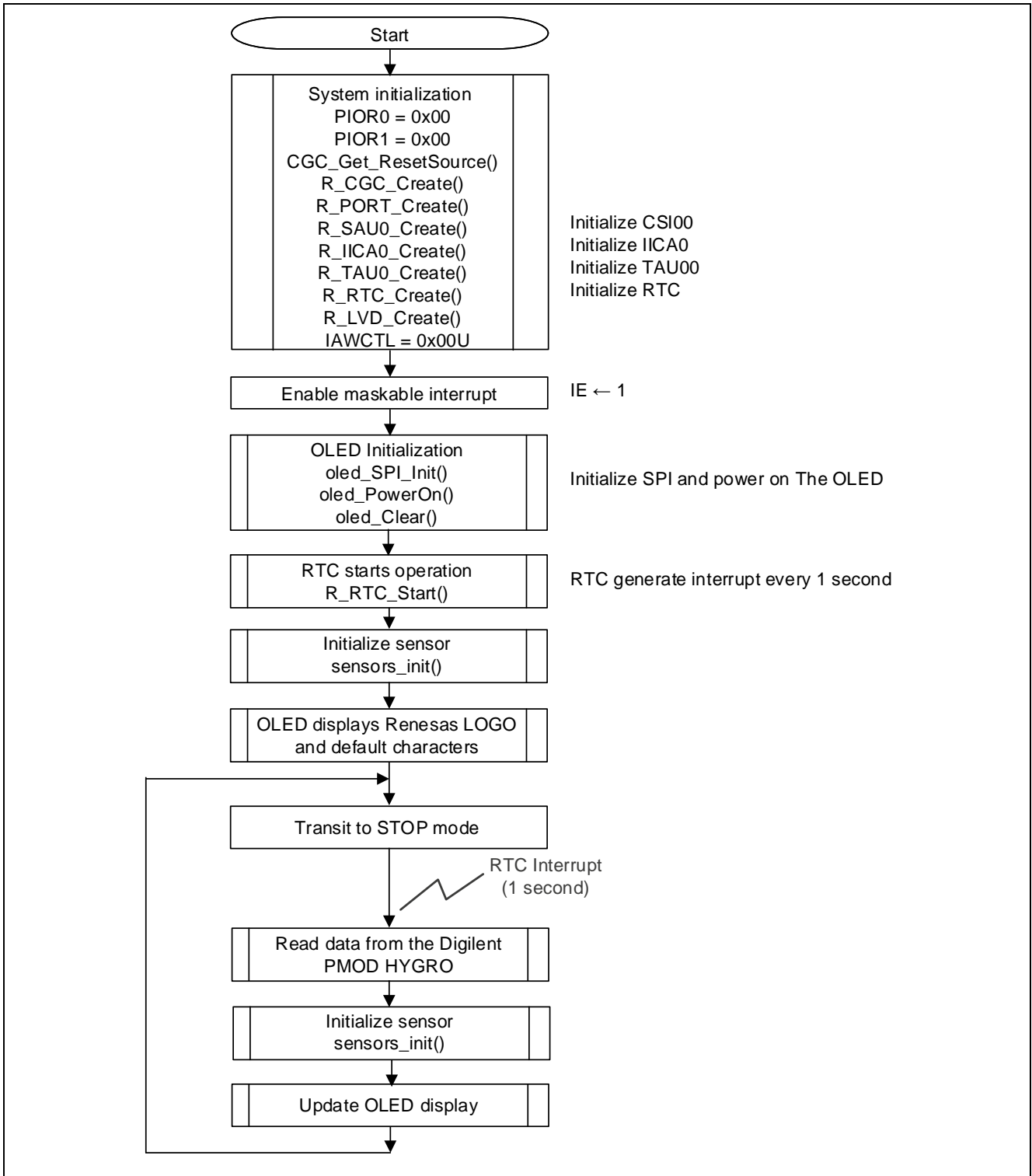


Figure 5.2 Main Processing

## 6. How to Build

### 6.1 CS+

- I. Launch CS+ for CC (RL78, RX, RH850).
- II. Right click on the "File" and select "Open" from the displayed menu.
- III. The "Open File" window will be displayed, select the MTPJ file in the Project Folder "RL78G14\_FPBPmodHYGRO", and click "Open". Then the "Open File" window is closed.
- IV. Right click on the project displayed on the "Project Tree" and select "Build" to start building.
- V. A mot file "RL78G14\_FPBPmodHYGRO.mot" is generated in the path shown in the mot File.

### 6.2 e2studio

- I. Launch e2 studio.
- II. Right click on the "Project Explorer" and select "Import" from the displayed menu.
- III. The "Import" window will be displayed. Select "Existing project to workspace" and click "Next".
- IV. In the "Select root directory" form, select the project folder shown in the Project Folder "RL78G14\_FPBPmodHYGRO" of e2 studio. After selection, confirm that the specified project is displayed in "Project" and click "Finish". Then the "Import" window is closed.
- V. Right click on the project displayed on the "Project Explorer" and select "Build Project" to start the building.
- VI. A mot file "RL78G14\_FPBPmodHYGRO.mot" is generated in the path shown in the mot File of e2 studio.

### 6.3 Writing mot file using Renesas Flash Programmer

This section describes how to write the pre-built mot file attached to this application note.

To write the pre-built mot file, it is necessary to mount a header component so that the Fast Prototyping Board can operate stand-alone. For details, refer to "5.12 Emulator Reset Header" in "RL78/G14 Fast Prototyping Board User's Manual" (R20UT4573).

- I. Launch Renesas Flash Programmer V3.05.
- II. Click "New Project..." in "File". About Microcontroller, select "RL78". About Communication Tool, select "E2 Lite". Customer can customize Project Name and choose Project Folder.
- III. Press the "Browse..." in "Program File" to open the mot File "RL78G14\_FPBPmodHYGRO.mot".
- IV. Press "Start" to start writing.

Note: For Flash Programming or Debugging with IDE(CS+/e2studio), EJ1 pin header should be OPEN.  
After Flash Programming, standalone operation w/o IDE can be enabled by setting EJ1 to SHORT.

## 7. Sample Code

The sample code is available on the Renesas Electronics Website.

## 8. Reference Documents

RL78/G14 Fast Prototyping Board (R20UT4573)

RL78/G14 User's Manual: Hardware (R01UH0186)

RL78 Family User's Manual: Software (R01US0015)

(The latest versions of the documents are available on the Renesas Electronics Website.)

Technical Updates/Technical News

(The latest information can be downloaded from the Renesas Electronics Website.)

All trademarks and registered trademarks are the property of their respective owners.



## Website and Support

Renesas Electronics Website

<http://www.renesas.com/>

Inquiries

<http://www.renesas.com/contact/>

All trademarks and registered trademarks are the property of their respective owners.

**Revision History**

Rev.	Date	Description	
		Page	Summary
1.00	Sep. 30, 2020		First edition issued

# General Precautions in the Handling of Microprocessing Unit and Microcontroller Unit Products

The following usage notes are applicable to all Microprocessing unit and Microcontroller unit products from Renesas. For detailed usage notes on the products covered by this document, refer to the relevant sections of the document as well as any technical updates that have been issued for the products.

## 1. Precaution against Electrostatic Discharge (ESD)

A strong electrical field, when exposed to a CMOS device, can cause destruction of the gate oxide and ultimately degrade the device operation. Steps must be taken to stop the generation of static electricity as much as possible, and quickly dissipate it when it occurs. Environmental control must be adequate. When it is dry, a humidifier should be used. This is recommended to avoid using insulators that can easily build up static electricity. Semiconductor devices must be stored and transported in an anti-static container, static shielding bag or conductive material. All test and measurement tools including work benches and floors must be grounded. The operator must also be grounded using a wrist strap. Semiconductor devices must not be touched with bare hands. Similar precautions must be taken for printed circuit boards with mounted semiconductor devices.

## 2. Processing at power-on

The state of the product is undefined at the time when power is supplied. The states of internal circuits in the LSI are indeterminate and the states of register settings and pins are undefined at the time when power is supplied. In a finished product where the reset signal is applied to the external reset pin, the states of pins are not guaranteed from the time when power is supplied until the reset process is completed. In a similar way, the states of pins in a product that is reset by an on-chip power-on reset function are not guaranteed from the time when power is supplied until the power reaches the level at which resetting is specified.

## 3. Input of signal during power-off state

Do not input signals or an I/O pull-up power supply while the device is powered off. The current injection that results from input of such a signal or I/O pull-up power supply may cause malfunction and the abnormal current that passes in the device at this time may cause degradation of internal elements. Follow the guideline for input signal during power-off state as described in your product documentation.

## 4. Handling of unused pins

Handle unused pins in accordance with the directions given under handling of unused pins in the manual. The input pins of CMOS products are generally in the high-impedance state. In operation with an unused pin in the open-circuit state, extra electromagnetic noise is induced in the vicinity of the LSI, an associated shoot-through current flows internally, and malfunctions occur due to the false recognition of the pin state as an input signal become possible.

## 5. Clock signals

After applying a reset, only release the reset line after the operating clock signal becomes stable. When switching the clock signal during program execution, wait until the target clock signal is stabilized. When the clock signal is generated with an external resonator or from an external oscillator during a reset, ensure that the reset line is only released after full stabilization of the clock signal. Additionally, when switching to a clock signal produced with an external resonator or by an external oscillator while program execution is in progress, wait until the target clock signal is stable.

## 6. Voltage application waveform at input pin

Waveform distortion due to input noise or a reflected wave may cause malfunction. If the input of the CMOS device stays in the area between  $V_{IL}$  (Max.) and  $V_{IH}$  (Min.) due to noise, for example, the device may malfunction. Take care to prevent chattering noise from entering the device when the input level is fixed, and also in the transition period when the input level passes through the area between  $V_{IL}$  (Max.) and  $V_{IH}$  (Min.).

## 7. Prohibition of access to reserved addresses

Access to reserved addresses is prohibited. The reserved addresses are provided for possible future expansion of functions. Do not access these addresses as the correct operation of the LSI is not guaranteed.

## 8. Differences between products

Before changing from one product to another, for example to a product with a different part number, confirm that the change will not lead to problems. The characteristics of a microprocessing unit or microcontroller unit products in the same group but having a different part number might differ in terms of internal memory capacity, layout pattern, and other factors, which can affect the ranges of electrical characteristics, such as characteristic values, operating margins, immunity to noise, and amount of radiated noise. When changing to a product with a different part number, implement a system-evaluation test for the given product.

## Notice

1. Descriptions of circuits, software and other related information in this document are provided only to illustrate the operation of semiconductor products and application examples. You are fully responsible for the incorporation or any other use of the circuits, software, and information in the design of your product or system. Renesas Electronics disclaims any and all liability for any losses and damages incurred by you or third parties arising from the use of these circuits, software, or information.
2. Renesas Electronics hereby expressly disclaims any warranties against and liability for infringement or any other claims involving patents, copyrights, or other intellectual property rights of third parties, by or arising from the use of Renesas Electronics products or technical information described in this document, including but not limited to, the product data, drawings, charts, programs, algorithms, and application examples.
3. No license, express, implied or otherwise, is granted hereby under any patents, copyrights or other intellectual property rights of Renesas Electronics or others.
4. You shall not alter, modify, copy, or reverse engineer any Renesas Electronics product, whether in whole or in part. Renesas Electronics disclaims any and all liability for any losses or damages incurred by you or third parties arising from such alteration, modification, copying or reverse engineering.
5. Renesas Electronics products are classified according to the following two quality grades: "Standard" and "High Quality". The intended applications for each Renesas Electronics product depends on the product's quality grade, as indicated below.
  - "Standard": Computers; office equipment; communications equipment; test and measurement equipment; audio and visual equipment; home electronic appliances; machine tools; personal electronic equipment; industrial robots; etc.
  - "High Quality": Transportation equipment (automobiles, trains, ships, etc.); traffic control (traffic lights); large-scale communication equipment; key financial terminal systems; safety control equipment; etc.Unless expressly designated as a high reliability product or a product for harsh environments in a Renesas Electronics data sheet or other Renesas Electronics document, Renesas Electronics products are not intended or authorized for use in products or systems that may pose a direct threat to human life or bodily injury (artificial life support devices or systems; surgical implantations; etc.), or may cause serious property damage (space system; undersea repeaters; nuclear power control systems; aircraft control systems; key plant systems; military equipment; etc.). Renesas Electronics disclaims any and all liability for any damages or losses incurred by you or any third parties arising from the use of any Renesas Electronics product that is inconsistent with any Renesas Electronics data sheet, user's manual or other Renesas Electronics document.
6. When using Renesas Electronics products, refer to the latest product information (data sheets, user's manuals, application notes, "General Notes for Handling and Using Semiconductor Devices" in the reliability handbook, etc.), and ensure that usage conditions are within the ranges specified by Renesas Electronics with respect to maximum ratings, operating power supply voltage range, heat dissipation characteristics, installation, etc. Renesas Electronics disclaims any and all liability for any malfunctions, failure or accident arising out of the use of Renesas Electronics products outside of such specified ranges.
7. Although Renesas Electronics endeavors to improve the quality and reliability of Renesas Electronics products, semiconductor products have specific characteristics, such as the occurrence of failure at a certain rate and malfunctions under certain use conditions. Unless designated as a high reliability product or a product for harsh environments in a Renesas Electronics data sheet or other Renesas Electronics document, Renesas Electronics products are not subject to radiation resistance design. You are responsible for implementing safety measures to guard against the possibility of bodily injury, injury or damage caused by fire, and/or danger to the public in the event of a failure or malfunction of Renesas Electronics products, such as safety design for hardware and software, including but not limited to redundancy, fire control and malfunction prevention, appropriate treatment for aging degradation or any other appropriate measures. Because the evaluation of microcomputer software alone is very difficult and impractical, you are responsible for evaluating the safety of the final products or systems manufactured by you.
8. Please contact a Renesas Electronics sales office for details as to environmental matters such as the environmental compatibility of each Renesas Electronics product. You are responsible for carefully and sufficiently investigating applicable laws and regulations that regulate the inclusion or use of controlled substances, including without limitation, the EU RoHS Directive, and using Renesas Electronics products in compliance with all these applicable laws and regulations. Renesas Electronics disclaims any and all liability for damages or losses occurring as a result of your noncompliance with applicable laws and regulations.
9. Renesas Electronics products and technologies shall not be used for or incorporated into any products or systems whose manufacture, use, or sale is prohibited under any applicable domestic or foreign laws or regulations. You shall comply with any applicable export control laws and regulations promulgated and administered by the governments of any countries asserting jurisdiction over the parties or transactions.
10. It is the responsibility of the buyer or distributor of Renesas Electronics products, or any other party who distributes, disposes of, or otherwise sells or transfers the product to a third party, to notify such third party in advance of the contents and conditions set forth in this document.
11. This document shall not be reprinted, reproduced or duplicated in any form, in whole or in part, without prior written consent of Renesas Electronics.
12. Please contact a Renesas Electronics sales office if you have any questions regarding the information contained in this document or Renesas Electronics products.

(Note1) "Renesas Electronics" as used in this document means Renesas Electronics Corporation and also includes its directly or indirectly controlled subsidiaries.

(Note2) "Renesas Electronics product(s)" means any product developed or manufactured by or for Renesas Electronics.

(Rev.4.0-1 November 2017)

## Corporate Headquarters

TOYOSU FORESIA, 3-2-24 Toyosu,  
Koto-ku, Tokyo 135-0061, Japan  
[www.renesas.com](http://www.renesas.com)

## Trademarks

Renesas and the Renesas logo are trademarks of Renesas Electronics Corporation. All trademarks and registered trademarks are the property of their respective owners.

## Contact information

For further information on a product, technology, the most up-to-date version of a document, or your nearest sales office, please visit:  
[www.renesas.com/contact/](http://www.renesas.com/contact/).