

RL78/G10

Multiplication and Division Program CC-RL

Introduction

This application note explains the program which realizes multiplication and division of unsigned integer using RL78/G10.

A program is shown about three kinds of arithmetic processing (16bit×16bit, 16bit×16bit+32bit, and 32bit÷32bit).

Target Device

RL78/G10

When applying the sample program covered in this application note to another microcomputer, modify the program according to the specifications for the target microcomputer and conduct an extensive evaluation of the modified program.

Contents

1. Specifications	3
2. Operation Check Conditions	3
3. Description of Software	4
3.1 Operation Outline	4
3.2 The Way of Thinking of Multiplication	4
3.3 The Way of Thinking of Division.....	4
3.4 Signed Data Handling	6
3.5 List of Constants	6
3.6 List of Variables.....	7
3.7 List of Functions (Subroutine)	7
3.8 Function (Subroutine) Specifications	7
3.9 Flowcharts	9
3.9.1 Main Processing.....	9
3.9.2 Multiplication Processing of 16 Bits Data.....	10
3.9.3 Multiply and Accumulation Processing	11
3.9.4 Division Processing of 32 Bits.....	12
4. Sample Code.....	13
5. Documents for Reference	13

1. Specifications

In this application note, an actual program and its usage are shown from the view of operation for three kinds of arithmetic processing subroutines (16bit×16bit, 16bit×16bit+32bit, and 32bit÷32bit).

Table 1.1 shows the arithmetic processing objected in this application note.

Table 1.1 Targeted Arithmetic Processing

Arithmetic Processing	Description
16bit×16bit	Multiplication of unsigned integers of 16-bit data.
16bit×16bit+32bit	Multiply and accumulation of unsigned integers of 16-bit data. The overflow flow is not detected from 32-bit data.
32bit÷32bit	The division processing of unsigned integers of 32-bit data.

2. Operation Check Conditions

The sample code described in this application note has been checked under the conditions listed in the table below.

Table 2.1 Operation Check Conditions

Item	Description
Microcontroller used	RL78/G10 (R5F10Y16)
Operating frequency	<ul style="list-style-type: none"> · High-speed on-chip oscillator (HOCO) clock: 20MHz · CPU/peripheral hardware clock: 20MHz
Operating voltage	5.0 V (can run on a voltage range of 2.9 V to 5.5 V.) SPOR detection voltage: Rising edge voltage: 2.90V : Falling edge voltage: 2.84V
Integrated development environment (CS+)	CS+ for CC V3.01.00 from Renesas Electronics Corp.
Assembler (CS+)	CC-RL V1.01.00 from Renesas Electronics Corp.
Integrated development environment (e ² studio)	e ² studio V4.0.2.008 from Renesas Electronics Corp.
Assembler (e ² studio)	CC-RL V1.01.00 from Renesas Electronics Corp.
Integrated development environment (IAR)	IAR Embedded Workbench for Renesas RL78 V4.21.3 from IAR Systems.
Assembler (IAR)	IAR Assembler for Renesas RL78 V4.21.2.2420 from IAR Systems.
Operating environment	RL78/G10 Simulator

3. Description of Software

3.1 Operation Outline

In the arithmetic processing of this application note, specified operation is performed to the data stored in the variable arranged to a short direct area, and the result is set to the variable arranged to the short direct area.

3.2 The Way of Thinking of Multiplication

Calculation is performed by dividing large data into a small digit as well as the way of the usual computation on paper.

In this case, attention is necessary for digit place (figure). Here, a calculation of hexadecimal numbers of $A_1A_2A_3A_4 \times B_1B_2B_3B_4$ is shown as an example. As the calculation method, the 8-bit multiply instruction "a MULU X command" is used. Calculates in 4 steps of every 2 digits (8 bits) (multiplication); $A_1A_2 \times B_1B_2$, $A_1A_2 \times B_3B_4$, $A_3A_4 \times B_1B_2$, $A_3A_4 \times B_3B_4$, and 4 times of calculation results are added with attention to digit place.

This system is shown in Figure 3.1. Thus, an answer can be obtained by adding in consideration of the digit of 4 times of calculation results. Here, although a multiplicand and a multiplier are 4 digits (16 bits), if they are beyond 4 digits (16 bits), they are calculable similarly by adding the calculation results of every double figure with attention to digit place.

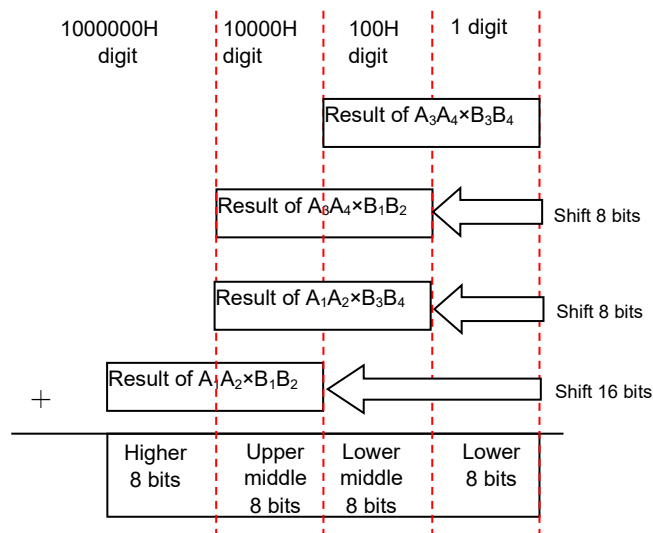


Figure 3.1 Data Scaling of 16 bits×16 bits

3.3 The Way of Thinking of Division

RL78/G10 does not have a division command. Moreover, the multiplier and divider/multiply-accumulator circuit is not carried, either. Therefore, it is necessary to repeat subtraction processing in order to realize division.

The simplest method is making a quotient the number of times that was able to subtract a divisor from a dividend. However, by such a simple method, processing time will be long.

It is common to shorten the processing time by repeating subtraction for the number of the bits of the dividend while shifting a dividend by 1 bit. With division of 16 bits ÷ 16 bits as an example, this method is explained like below.

- (1) In order to execute division by repeating subtraction, the work area of the same bit length as a divisor is prepared at higher bits of a dividend and cleared by zero. (Refer to Figure 3.2)

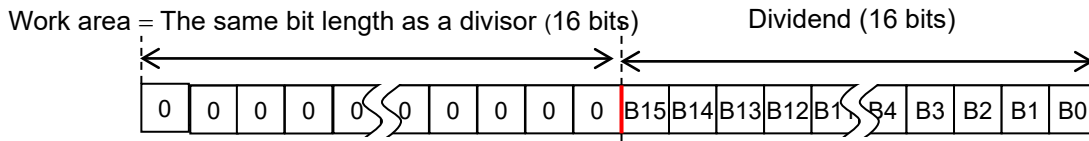


Figure 3.2 Pre-preparation of Calculation

- (2) In subtraction processing, a dividend and work area is shifted 1 bit to the left at a time first as the preparation of subtraction. The MSB of dividend is set to the LSB of work area, and the LSB of dividend becomes 0. (Refer to Figure 3.3). The LSB of dividend is used as an area for the quotient in order to obtain the efficiency of processing and domain.

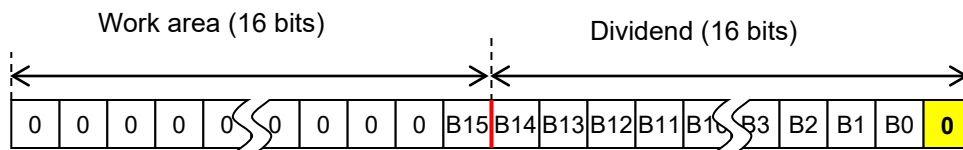


Figure 3.3 Preparation of subtraction

- (3) Whether a divisor is able to be subtracted from the work area is confirmed. If subtraction is possible, the quotient of the time becomes 1 and becomes 0 if impossible. This quotient is stored in LSB of a dividend (domain). The remainder at the time of being over is stored in work area. (Refer to Figure 3.4)

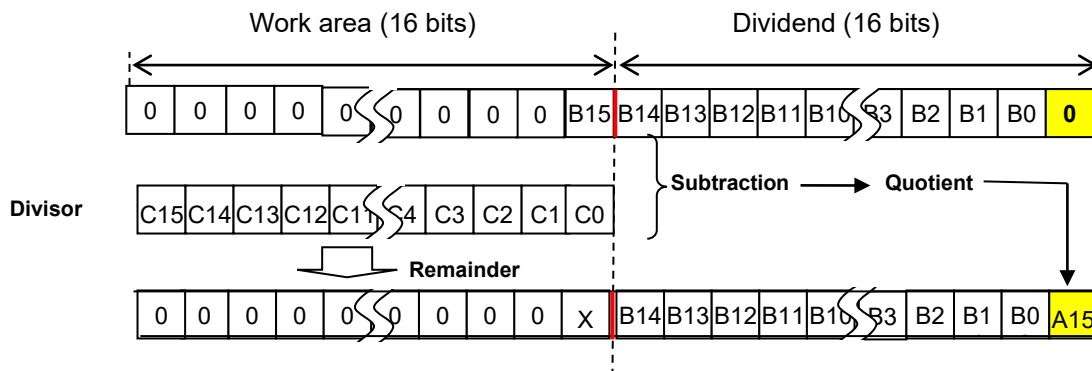


Figure 3.4 Execution of Subtraction

The notes in this calculation are the column numbers of a quotient. After shifting a bit to the left, it subtracts and the quotient is certainly stored in LSB of a dividend area each time. And when both (2) and (3) are performed, the subtraction processing for 1 bit had completed. In the case of Figure 3.4, the quotient bit A15 stored in LSB of a dividend has bit weights of the 15th power of 2. Then, it is stored in the right (lower side) of A15 in order of lighter bit weights by repeating (2) and (3).

- (4) The work area and the dividend of a result which performed (2) and (3) for the following digit are shown in Figure 3.5.

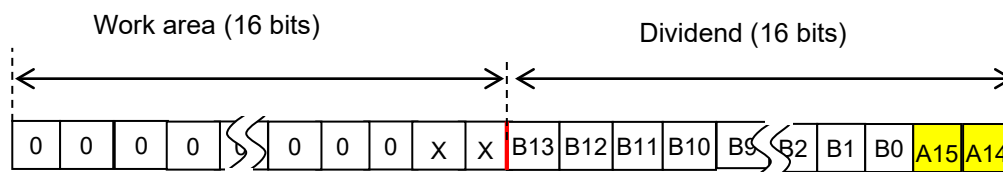


Figure 3.5 The Second Execution Result

(5) The work area and dividend that are results of the 3rd shift and subtraction are shown in Figure 3.6.

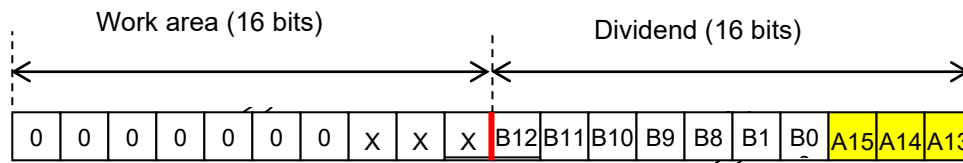


Figure 3.6 The Third Execution Result

(6) The work area and dividend that are results of having repeated the same shift and subtraction 16 times are shown in Figure 3.7. Here, a surplus is stored in work area and a quotient is stored in a dividend.

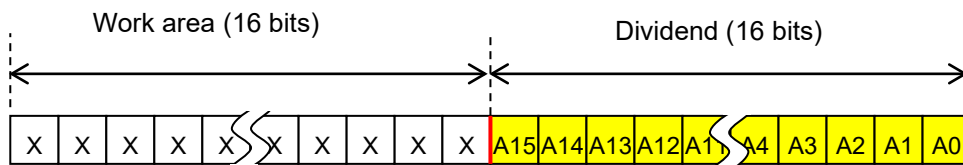


Figure 3.7 The 16th Execution Result

Thus, when a dividend and a quotient share the same area, shift processing can also be shared and a program will be shorter. And since the command to execute decreases, the speed of processing can also be faster.

Although the above example was a case of 16-bit data, the same view is made even if it is 32-bit data.

3.4 Signed Data Handling

A sign is checked first in order to handle signed data for the multiplication and division. In the case of a negative number, after memorizing the sign to a flag, an absolute value is obtained by taking the complement of 2 to data. Arithmetic processing is performed in the obtained absolute value. The combination of the sign of two data is checked, and a result is made into a value with a sign if required.

3.5 List of Constants

Table 3.1 lists the constants for the sample program.

Table 3.1 Constants for the Sample Program

Constant	Setting	Description
DNMULC	16/8	The number of bytes of a dividend (16 bits)
DNMUL	16/8	The number of bytes of a multiplier (16 bits)
DNRES	DNMUL + DNMULC	The number of bytes of the result area (32 bits)
DNdivS	32/8	The number of bytes of a divisor (32 bits)
DNdivD	32/8	The number of bytes of a dividend (32 bits)
DNQUO	DNdivD×8	The number of times of calculation

3.6 List of Variables

Table 3.2 lists variables that are used in this sample program.

Table 3.2 Variables for the Sample Program

Variable Name	Description
RREG0	Multiplicand area/Lower part of divisor area
RREG1	Multiplier area/Upper part of divisor area
RREG2	Multiplication result area/Product-sum addition area/Dividend and quotient area
RREG3	Work and remainder area

3.7 List of Functions (Subroutine)

Table 3.3 lists the functions that are used in this sample program.

Table 3.3 List of Functions (Subroutine)

Functions (Subroutine) Name	Description
M16bitX16bit	Multiplication of 16-bit data (unsigned)
M16bitA32bit	16-bit data is multiplied and the result is added to 32-bit data. (unsigned)
D32bits_32bitS	Division of 32-bit data (unsigned, divisor checked)
D32bit_32bitS2	Division of 32-bit data (unsigned, no divisor check)

3.8 Function (Subroutine) Specifications

This section describes the specifications for the functions (subroutine) that are used in the sample program.

[Function Name] M16bitX16bit

Synopsis	Multiplication of 16-bit data (unsigned)	
Explanation	Multiplies the multiplicand stored in RREG0 by multiplier stored in RREG0, and its result will be stored in RREG2.	
Arguments	<ul style="list-style-type: none"> RREG0 RREG1 	Multiplicand (16 bits) Multiplier (16 bits)
Return value	<ul style="list-style-type: none"> RREG2 	<ul style="list-style-type: none"> Product (32 bits)
Remarks	Registers to be used Stacks to be used	A, X, B, C, D, E, H, L 4+4 bytes

[Function Name] M16bitA32bit

Synopsis	Multiplies 16-bit data by 16-bit data, and the result is added to 32-bit data. (unsigned)	
Explanation	Adds the multiplication result of data stored in RREG0 and RREG1 on RREG2.	
Arguments	<ul style="list-style-type: none"> RREG0 RREG1 RREG2 	Multiplicand (16 bits) Multiplier (16 bits) Augend (32 bits)
Return value	<ul style="list-style-type: none"> RREG2 	Product-sum (32 bits)
Remarks	Registers to be used Stacks to be used	A, X, B, C, D, E, H, L 4+4 bytes

[Function Name] D32bit_32bitS

Synopsis	Division of 32-bit data (unsigned, divisor checked)	
Explanation	Confirms whether a divisor is 0, and if it is 0, returns in an error. If a divisor is not 0, division is done for the data of RREG2 by the data of RREG0, RREG1, and a quotient will be stored in RREG2, a remainder will be stored in RREG3.	
Arguments	<ul style="list-style-type: none"> • RREG0 • RREG1 • RREG2 	<ul style="list-style-type: none"> Divisor (lower 16 bits) Divisor (higher 16 bits) Dividend (32 bits)
Return value	<ul style="list-style-type: none"> • RREG2 • RREG3 • Carry flag 	<ul style="list-style-type: none"> • Quotient (32 bits) • Remainder (32 bits) • 0: Normal termination • 1: Error (Divisor is 0.)
Remarks	Registers to be used Stacks to be used	A, X, B, C, L 4 bytes (only for CALL command)

[Function Name] D32bit_32bitS2

Synopsis	Division of 32 bits data (unsigned, no divisor check)	
Explanation	Divides the data of RREG2 by the data of RREG0, RREG1. And then a quotient is stored in RREG2, and a remainder is stored in RREG3, and. (The divisor check of D32 bits_32 bits S is omitted.)	
Arguments	<ul style="list-style-type: none"> • RREG0 • RREG1 • RREG2 	<ul style="list-style-type: none"> Divisor (lower 16 bits) Divisor (higher 16 bits) Dividend (32 bits)
Return value	<ul style="list-style-type: none"> • RREG2 • RREG3 • Carry flag 	<ul style="list-style-type: none"> • Quotient (32 bits) • Remainder (32 bits) • 0: Normal termination
Remarks	Registers to be used Stacks to be used	A, X, B, C, L 4 bytes (only for CALL command)

3.9 Flowcharts

3.9.1 Main Processing

Figure 3.8 shows the main processing.

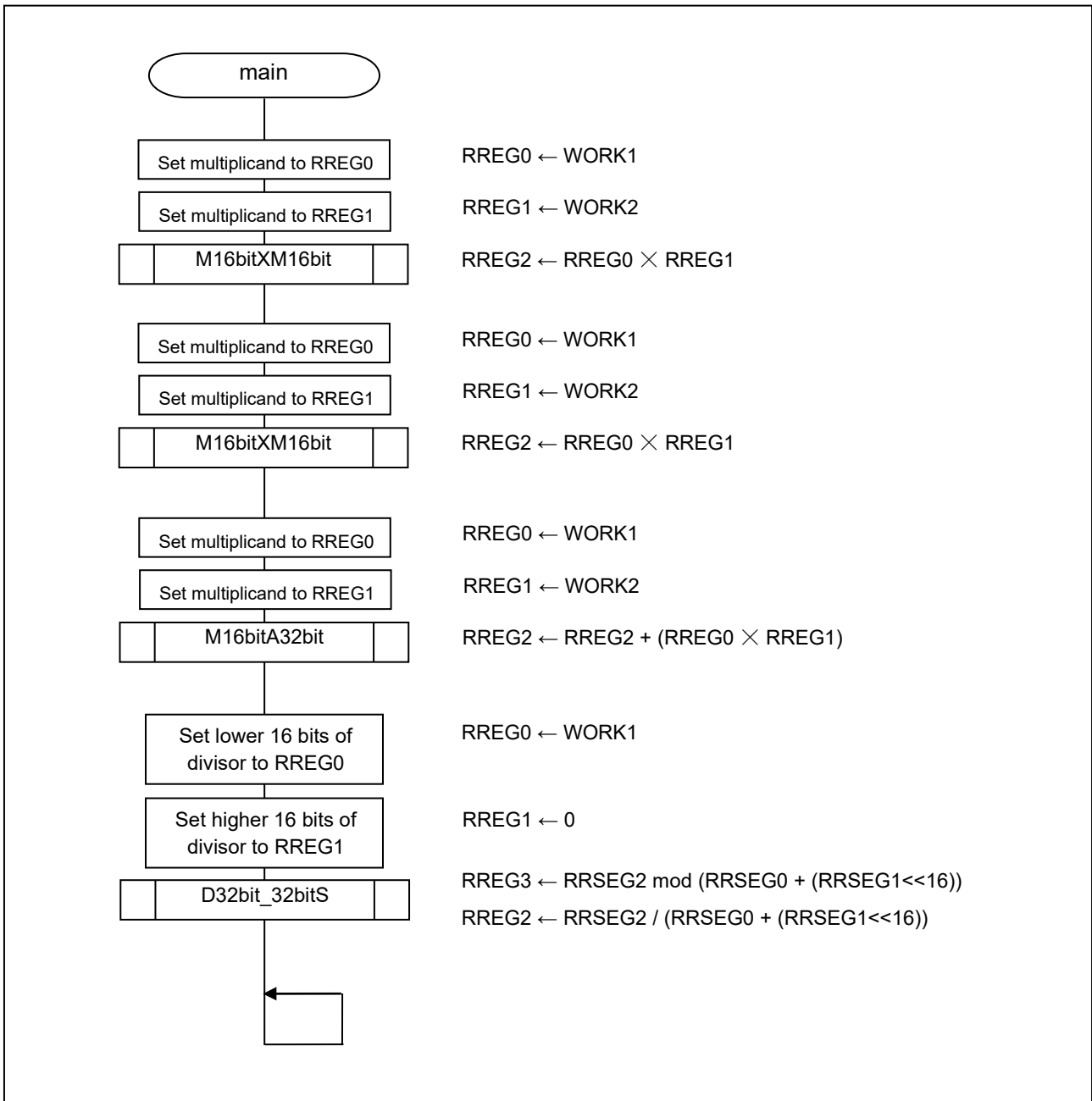


Figure 3.8 Main Processing

3.9.2 Multiplication Processing of 16 Bits Data

Figure 3.9 shows multiplication processing of 16 bits data.

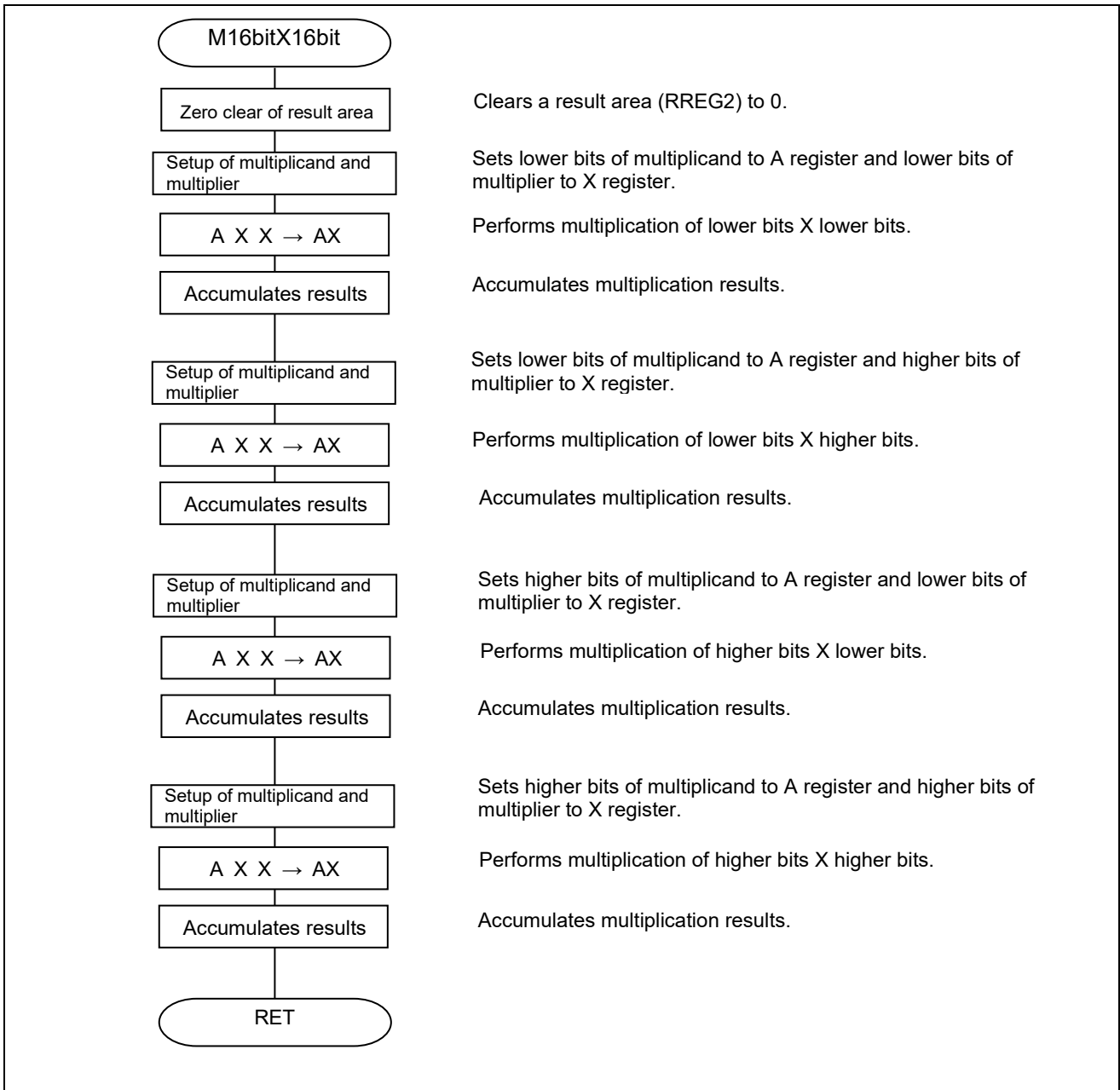


Figure 3.9 Multiplication Processing of 16 Bits Data

3.9.3 Multiply and Accumulation Processing

Figure 3.10 shows multiply and accumulation processing.

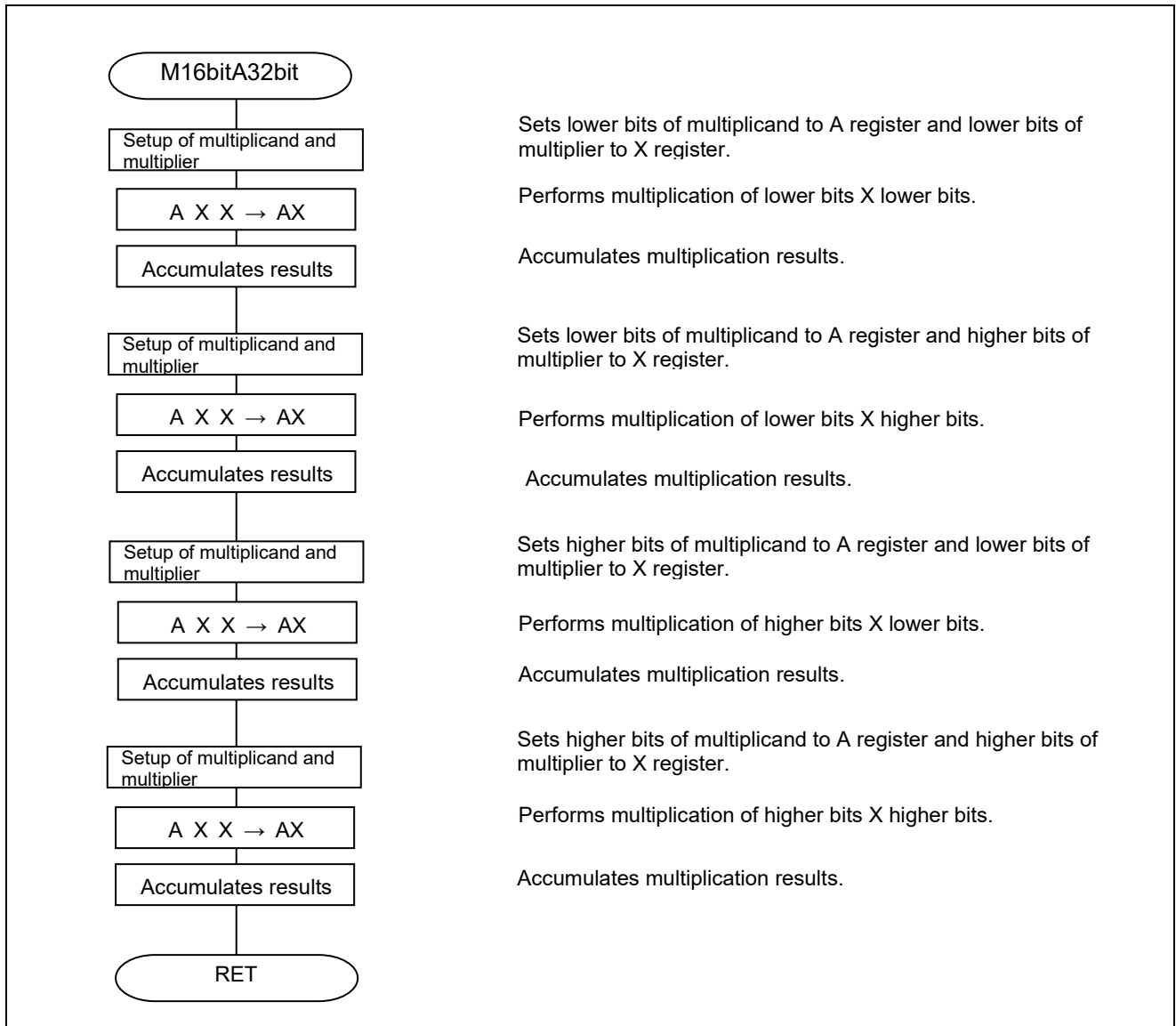


Figure 3.10 Multiply and Accumulation Processing

3.9.4 Division Processing of 32 Bits

Figure 3.11 shows division processing of 32 bits.

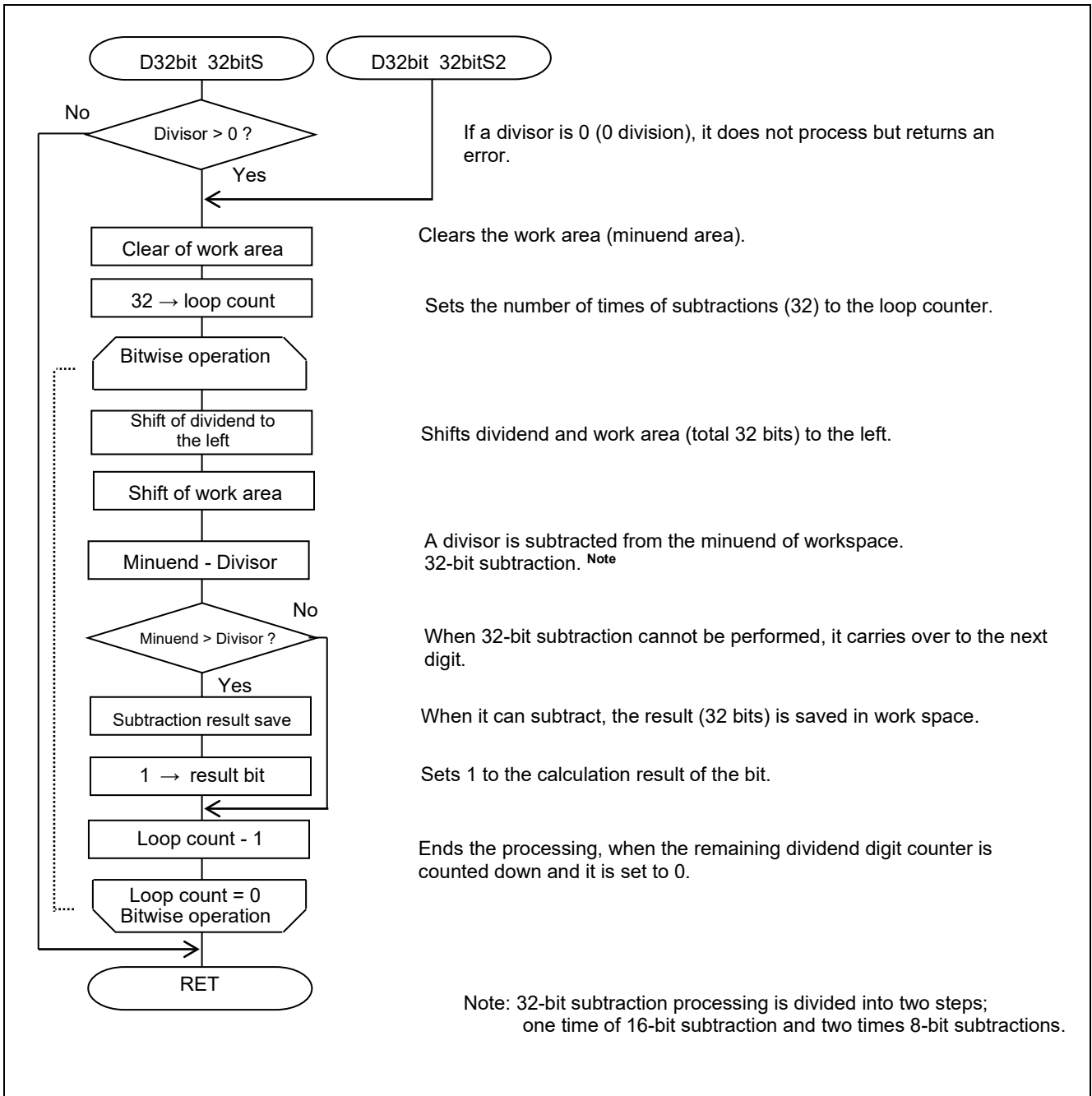


Figure 3.11 Division Processing of 32 Bits

4. Sample Code

The sample code is available on the Renesas Electronics Website.

5. Documents for Reference

RL78/G10 User's Manual: Hardware (R01UH0384E)

RL78 Family User's Manual: Software (R01US0015E)

(The latest versions of the documents are available on the Renesas Electronics Website.)

Technical Updates/Technical Brochures

(The latest versions of the documents are available on the Renesas Electronics Website.)

All trademarks and registered trademarks are the property of their respective owners.

Revision History: RL78/G10 Multiplication and Division Program CC-RL

Rev.	Date	Description	
		Page	Summary
1.00	Nov. 27, 2015	—	First edition issued
1.01	Oct. 05, 2016	—	Error correction
1.10	June. 24, 2022	3	Operation check condition is updated.

General Precautions in the Handling of Microprocessing Unit and Microcontroller Unit Products

The following usage notes are applicable to all Microprocessing unit and Microcontroller unit products from Renesas. For detailed usage notes on the products covered by this document, refer to the relevant sections of the document as well as any technical updates that have been issued for the products.

1. Precaution against Electrostatic Discharge (ESD)

A strong electrical field, when exposed to a CMOS device, can cause destruction of the gate oxide and ultimately degrade the device operation. Steps must be taken to stop the generation of static electricity as much as possible, and quickly dissipate it when it occurs. Environmental control must be adequate. When it is dry, a humidifier should be used. This is recommended to avoid using insulators that can easily build up static electricity.

Semiconductor devices must be stored and transported in an anti-static container, static shielding bag or conductive material. All test and measurement tools including work benches and floors must be grounded. The operator must also be grounded using a wrist strap. Semiconductor devices must not be touched with bare hands. Similar precautions must be taken for printed circuit boards with mounted semiconductor devices.

2. Processing at power-on

The state of the product is undefined at the time when power is supplied. The states of internal circuits in the LSI are indeterminate and the states of register settings and pins are undefined at the time when power is supplied. In a finished product where the reset signal is applied to the external reset pin, the states of pins are not guaranteed from the time when power is supplied until the reset process is completed. In a similar way, the states of pins in a product that is reset by an on-chip power-on reset function are not guaranteed from the time when power is supplied until the power reaches the level at which resetting is specified.

3. Input of signal during power-off state

Do not input signals or an I/O pull-up power supply while the device is powered off. The current injection that results from input of such a signal or I/O pull-up power supply may cause malfunction and the abnormal current that passes in the device at this time may cause degradation of internal elements. Follow the guideline for input signal during power-off state as described in your product documentation.

4. Handling of unused pins

Handle unused pins in accordance with the directions given under handling of unused pins in the manual. The input pins of CMOS products are generally in the high-impedance state. In operation with an unused pin in the open-circuit state, extra electromagnetic noise is induced in the vicinity of the LSI, an associated shoot-through current flows internally, and malfunctions occur due to the false recognition of the pin state as an input signal become possible.

5. Clock signals

After applying a reset, only release the reset line after the operating clock signal becomes stable. When switching the clock signal during program execution, wait until the target clock signal is stabilized. When the clock signal is generated with an external resonator or from an external oscillator during a reset, ensure that the reset line is only released after full stabilization of the clock signal. Additionally, when switching to a clock signal produced with an external resonator or by an external oscillator while program execution is in progress, wait until the target clock signal is stable.

6. Voltage application waveform at input pin

Waveform distortion due to input noise or a reflected wave may cause malfunction. If the input of the CMOS device stays in the area between V_{IL} (Max.) and V_{IH} (Min.) due to noise, for example, the device may malfunction. Take care to prevent chattering noise from entering the device when the input level is fixed, and also in the transition period when the input level passes through the area between V_{IL} (Max.) and V_{IH} (Min.).

7. Prohibition of access to reserved addresses

Access to reserved addresses is prohibited. The reserved addresses are provided for possible future expansion of functions. Do not access these addresses as the correct operation of the LSI is not guaranteed.

8. Differences between products

Before changing from one product to another, for example to a product with a different part number, confirm that the change will not lead to problems. The characteristics of a microprocessing unit or microcontroller unit products in the same group but having a different part number might differ in terms of internal memory capacity, layout pattern, and other factors, which can affect the ranges of electrical characteristics, such as characteristic values, operating margins, immunity to noise, and amount of radiated noise. When changing to a product with a different part number, implement a system-evaluation test for the given product.

Notice

1. Descriptions of circuits, software and other related information in this document are provided only to illustrate the operation of semiconductor products and application examples. You are fully responsible for the incorporation or any other use of the circuits, software, and information in the design of your product or system. Renesas Electronics disclaims any and all liability for any losses and damages incurred by you or third parties arising from the use of these circuits, software, or information.
2. Renesas Electronics hereby expressly disclaims any warranties against and liability for infringement or any other claims involving patents, copyrights, or other intellectual property rights of third parties, by or arising from the use of Renesas Electronics products or technical information described in this document, including but not limited to, the product data, drawings, charts, programs, algorithms, and application examples.
3. No license, express, implied or otherwise, is granted hereby under any patents, copyrights or other intellectual property rights of Renesas Electronics or others.
4. You shall be responsible for determining what licenses are required from any third parties, and obtaining such licenses for the lawful import, export, manufacture, sales, utilization, distribution or other disposal of any products incorporating Renesas Electronics products, if required.
5. You shall not alter, modify, copy, or reverse engineer any Renesas Electronics product, whether in whole or in part. Renesas Electronics disclaims any and all liability for any losses or damages incurred by you or third parties arising from such alteration, modification, copying or reverse engineering.
6. Renesas Electronics products are classified according to the following two quality grades: "Standard" and "High Quality". The intended applications for each Renesas Electronics product depends on the product's quality grade, as indicated below.
 - "Standard": Computers; office equipment; communications equipment; test and measurement equipment; audio and visual equipment; home electronic appliances; machine tools; personal electronic equipment; industrial robots; etc.
 - "High Quality": Transportation equipment (automobiles, trains, ships, etc.); traffic control (traffic lights); large-scale communication equipment; key financial terminal systems; safety control equipment; etc.

Unless expressly designated as a high reliability product or a product for harsh environments in a Renesas Electronics data sheet or other Renesas Electronics document, Renesas Electronics products are not intended or authorized for use in products or systems that may pose a direct threat to human life or bodily injury (artificial life support devices or systems; surgical implantations; etc.), or may cause serious property damage (space system; undersea repeaters; nuclear power control systems; aircraft control systems; key plant systems; military equipment; etc.). Renesas Electronics disclaims any and all liability for any damages or losses incurred by you or any third parties arising from the use of any Renesas Electronics product that is inconsistent with any Renesas Electronics data sheet, user's manual or other Renesas Electronics document.
7. No semiconductor product is absolutely secure. Notwithstanding any security measures or features that may be implemented in Renesas Electronics hardware or software products, Renesas Electronics shall have absolutely no liability arising out of any vulnerability or security breach, including but not limited to any unauthorized access to or use of a Renesas Electronics product or a system that uses a Renesas Electronics product. RENESAS ELECTRONICS DOES NOT WARRANT OR GUARANTEE THAT RENESAS ELECTRONICS PRODUCTS, OR ANY SYSTEMS CREATED USING RENESAS ELECTRONICS PRODUCTS WILL BE INVULNERABLE OR FREE FROM CORRUPTION, ATTACK, VIRUSES, INTERFERENCE, HACKING, DATA LOSS OR THEFT, OR OTHER SECURITY INTRUSION ("Vulnerability Issues"). RENESAS ELECTRONICS DISCLAIMS ANY AND ALL RESPONSIBILITY OR LIABILITY ARISING FROM OR RELATED TO ANY VULNERABILITY ISSUES. FURTHERMORE, TO THE EXTENT PERMITTED BY APPLICABLE LAW, RENESAS ELECTRONICS DISCLAIMS ANY AND ALL WARRANTIES, EXPRESS OR IMPLIED, WITH RESPECT TO THIS DOCUMENT AND ANY RELATED OR ACCOMPANYING SOFTWARE OR HARDWARE, INCLUDING BUT NOT LIMITED TO THE IMPLIED WARRANTIES OF MERCHANTABILITY, OR FITNESS FOR A PARTICULAR PURPOSE.
8. When using Renesas Electronics products, refer to the latest product information (data sheets, user's manuals, application notes, "General Notes for Handling and Using Semiconductor Devices" in the reliability handbook, etc.), and ensure that usage conditions are within the ranges specified by Renesas Electronics with respect to maximum ratings, operating power supply voltage range, heat dissipation characteristics, installation, etc. Renesas Electronics disclaims any and all liability for any malfunctions, failure or accident arising out of the use of Renesas Electronics products outside of such specified ranges.
9. Although Renesas Electronics endeavors to improve the quality and reliability of Renesas Electronics products, semiconductor products have specific characteristics, such as the occurrence of failure at a certain rate and malfunctions under certain use conditions. Unless designated as a high reliability product or a product for harsh environments in a Renesas Electronics data sheet or other Renesas Electronics document, Renesas Electronics products are not subject to radiation resistance design. You are responsible for implementing safety measures to guard against the possibility of bodily injury, injury or damage caused by fire, and/or danger to the public in the event of a failure or malfunction of Renesas Electronics products, such as safety design for hardware and software, including but not limited to redundancy, fire control and malfunction prevention, appropriate treatment for aging degradation or any other appropriate measures. Because the evaluation of microcomputer software alone is very difficult and impractical, you are responsible for evaluating the safety of the final products or systems manufactured by you.
10. Please contact a Renesas Electronics sales office for details as to environmental matters such as the environmental compatibility of each Renesas Electronics product. You are responsible for carefully and sufficiently investigating applicable laws and regulations that regulate the inclusion or use of controlled substances, including without limitation, the EU RoHS Directive, and using Renesas Electronics products in compliance with all these applicable laws and regulations. Renesas Electronics disclaims any and all liability for damages or losses occurring as a result of your noncompliance with applicable laws and regulations.
11. Renesas Electronics products and technologies shall not be used for or incorporated into any products or systems whose manufacture, use, or sale is prohibited under any applicable domestic or foreign laws or regulations. You shall comply with any applicable export control laws and regulations promulgated and administered by the governments of any countries asserting jurisdiction over the parties or transactions.
12. It is the responsibility of the buyer or distributor of Renesas Electronics products, or any other party who distributes, disposes of, or otherwise sells or transfers the product to a third party, to notify such third party in advance of the contents and conditions set forth in this document.
13. This document shall not be reprinted, reproduced or duplicated in any form, in whole or in part, without prior written consent of Renesas Electronics.
14. Please contact a Renesas Electronics sales office if you have any questions regarding the information contained in this document or Renesas Electronics products.

(Note1) "Renesas Electronics" as used in this document means Renesas Electronics Corporation and also includes its directly or indirectly controlled subsidiaries.

(Note2) "Renesas Electronics product(s)" means any product developed or manufactured by or for Renesas Electronics.

(Rev.5.0-1 October 2020)

Corporate Headquarters

TOYOSU FORESIA, 3-2-24 Toyosu,
Koto-ku, Tokyo 135-0061, Japan
www.renesas.com

Trademarks

Renesas and the Renesas logo are trademarks of Renesas Electronics Corporation. All trademarks and registered trademarks are the property of their respective owners.

Contact information

For further information on a product, technology, the most up-to-date version of a document, or your nearest sales office, please visit:
www.renesas.com/contact/.