

M16C/65 Group

REC05B0115-0100

Rev.1.00

August 06, 2010

Three-phase Motor Control Timer Function (Triangular Wave Modulation, Three-phase Mode 1)

1. Abstract

The M16C/65 Groups allow users to select the three-phase motor control timer function operation mode, depending on the user system.

This application note describes microcomputer (MCU) operation when the marked functions in Table 1 are selected.

Table 1. Settings

Item	Settings	
Modulation mode		Sawtooth wave modulation mode
	O	Triangular wave modulation mode
Timer A11, A21, and A41 control (three-phase mode)		Timers A11, A21, and A41 not used (three-phase mode 0)
	O	Timers A11, A21, and A41 used (three-phase mode 1)
Output polarity	O	Low active of an output waveform
		High active of an output waveform

2. Introduction

This application note applies to the M16C/65 Group MCU.

This application note can be used with other M16C Family MCUs which have the same special function registers (SFRs) as the above group. Check the manual for any modifications to functions. Careful evaluation is recommended before using the program described in this application note.

3. Detailed Description

3.1 Triangular Wave Modulation Mode and Three-phase Mode 1

- A) Set each register in the three-phase motor control timer function, triangular wave modulation mode, timers A11, A21 and A41 not used (three-phase mode 1).
- B) Set bits TAI_S and TB2_S in the TABSR register to 1 (count started) to decrement the timer B2 counter value (i = 4, 1, 2).
- C) One-shot pulse is output from the timer A_i when the timer B2 counter underflows.
- D) A one-shot pulse is output from timer A_i when the timer B2 counter underflows.
- E) Each phase is output when the timer B2 counter underflows and at the timing of the timer A_i one-shot pulse falling edge.

Figure 1 shows an example diagram of the triangular wave modulation (three-phase mode 1).

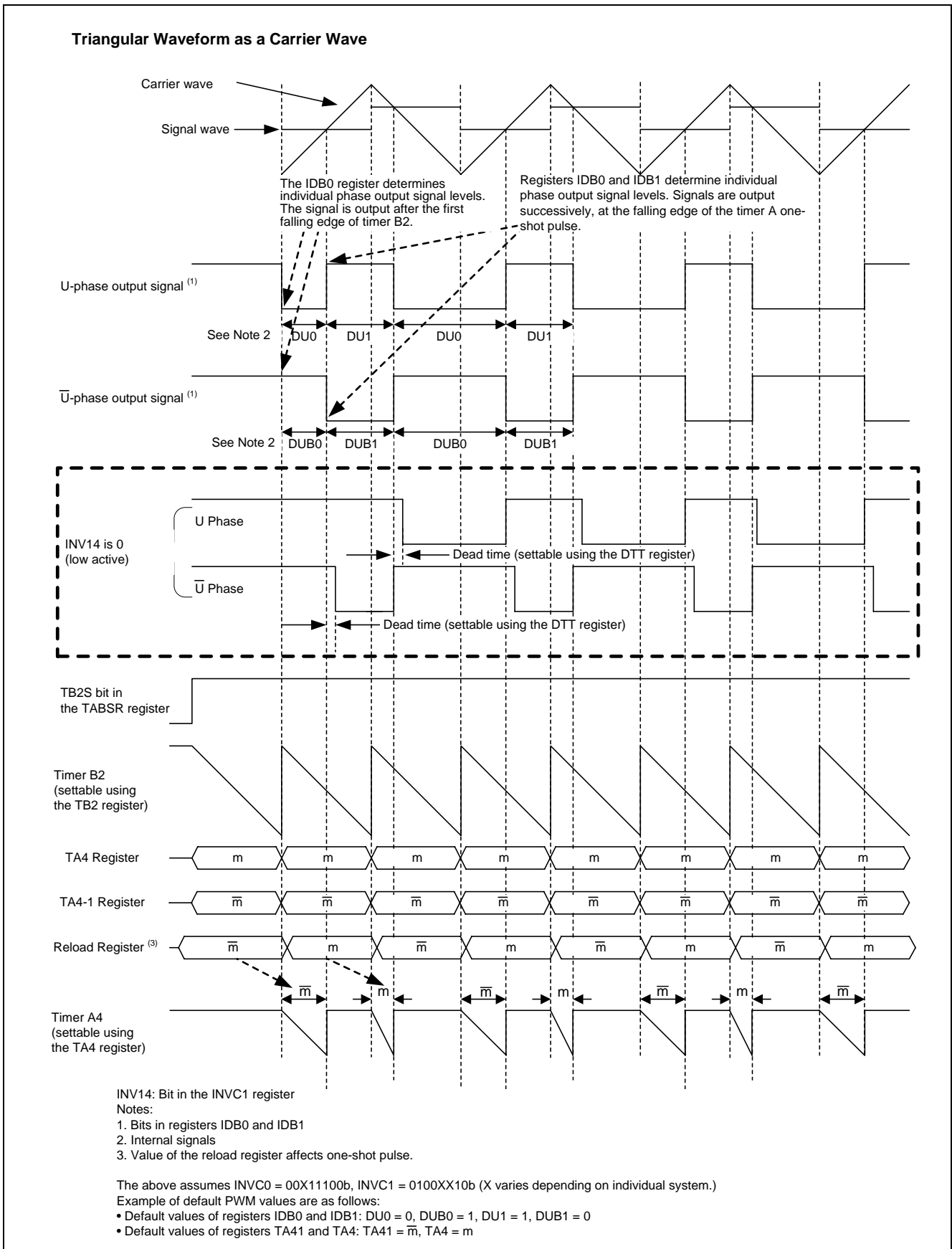


Figure 1. Triangular Wave Modulation (Three-Phase Mode 1) Operation

3.2 Dead Time

The signal to switch between low active and high active has a dead time. Set the INV14 bit in the INVC1 register to select low active or high active.

Figure 2 shows the dead time when low active logic is selected.

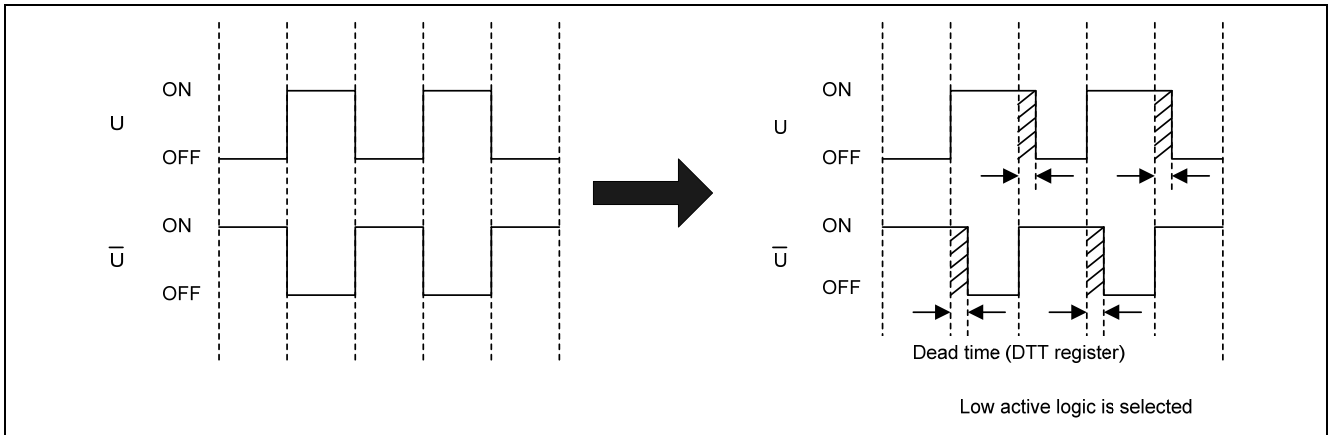


Figure 2. Dead Time

3.3 Three-phase Output Buffer Registers (Registers IDB0 and IDB1)

Figure 3 shows a U-phase output signal operation example with registers IDB0 and IDB1 and each phase output signal. When triangular wave modulation is selected, the individual phase output port reflects the IDB1 register setting as soon as the timer starts.

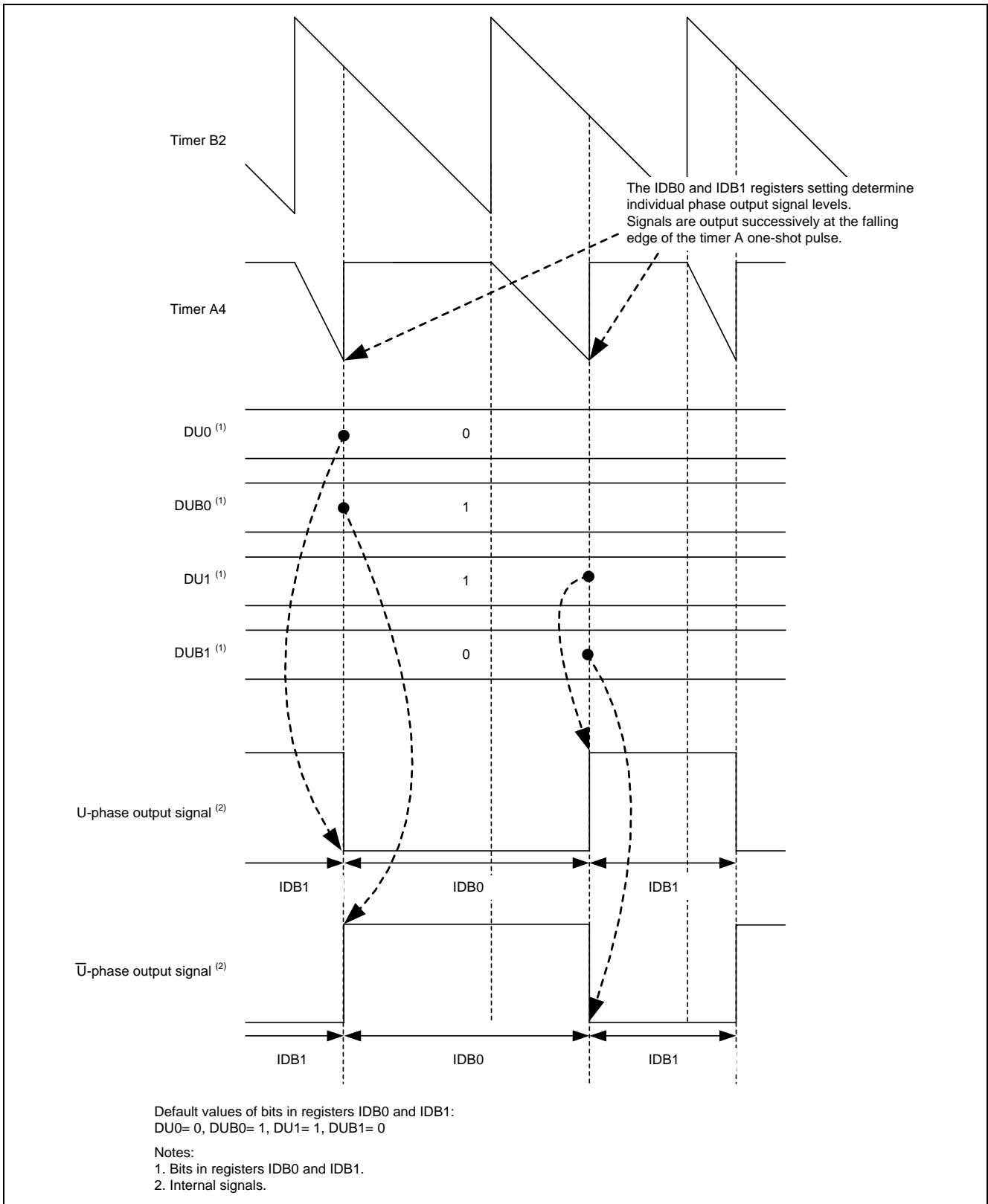
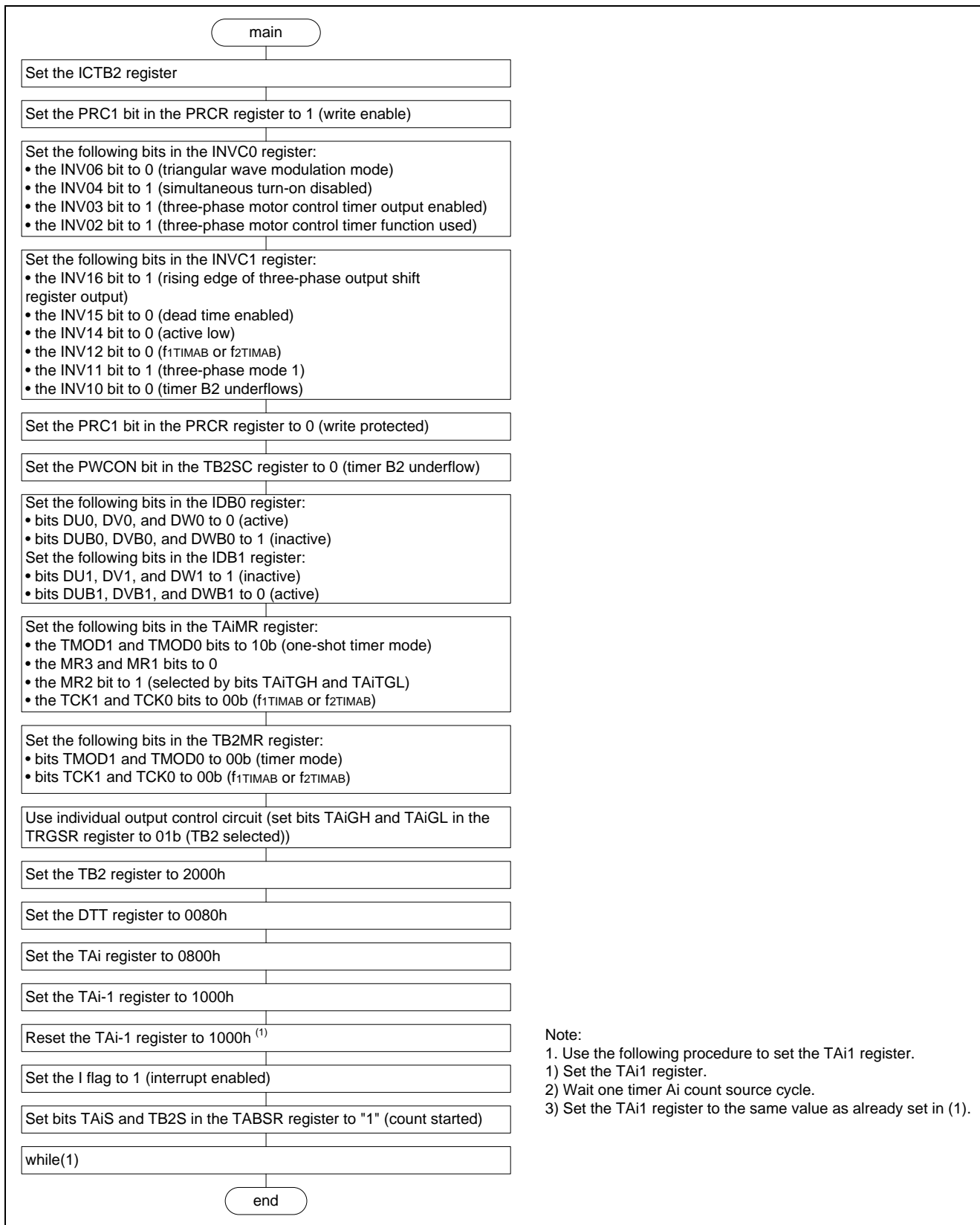


Figure 3. U-phase Output Signal Operation Example

4. Setting Procedure



Note:
 1. Use the following procedure to set the TAI1 register.
 1) Set the TAI1 register.
 2) Wait one timer Ai count source cycle.
 3) Set the TAI1 register to the same value as already set in (1).

Figure 4. Triangular Wave Modulation (Three-phase Mode 1) Flowchart

5. Sample Program

Note the following information when setting registers TAI and TAI1.

5.1 TAI Register Setting

Users must avoid setting the TAI register as follow except if necessary.

A) If the TAI register is set to 0000h (0000h or 0100h when the INV12 bit in the INVC register to 1 (f_{TIMAB} divided-by-2)), the TAI timer counter will not start.

B) If the TAI register is set to a value larger than the TB2 register setting value (a value larger than “TB2 register setting value - 1” when the INV12 bit in the INVC register is 1 (f_{TIMAB} divided-by-2)), the TAI timer counter continues running the number of cycles determined by the TB2 register.

At the end of both events, the output signal level does not change since no falling edges occur.

5.2 Dead Time Timer Restart

Even if the TAI register setting causes the dead time timer to restart while a dead time timer is counting, the dead time timer does not restart counting.

If the following conditions are met, the dead time timer will not restart counting:

- Triangular wave modulation mode (three-phase mode 0): f_{TIMAB} selected as count source for the dead time timer

$((TB2 \text{ register setting value} + 1) - TAI1 \text{ register setting value at an even number of times}) + TAI \text{ register setting value at an odd number of times} < \text{setting value of dead time timer}$

$TAI1 \text{ register setting value at an even number of times} + ((TB2 \text{ register setting value} + 1) - TAI \text{ register setting value at an odd number of times}) < \text{setting value of dead time timer}$

- Triangular wave modulation mode (three-phase mode 1): f_{TIMAB} selected as count source for a dead time timer

$((TB2 \text{ register setting value} + 1) - TAI1 \text{ register setting value}) + TAI \text{ register setting value} < \text{setting value of dead time timer}$

$TAI1 \text{ register setting value} + ((TB2 \text{ register setting value} + 1) - TAI \text{ register setting value}) < \text{setting value of dead time timer}$

- Sawtooth wave modulation mode: f_{TIMAB} selected as count source for a dead time timer

$((TB2 \text{ register setting value} + 1) - TAI \text{ register setting value}) - 1 < \text{setting value of dead time timer}$

$TAI \text{ register setting value} - 1 < \text{setting value of dead time timer}$

6. Reference Documents

M16C/65 Group User's Manual: Hardware (Hardware Manual) Rev.1.10

The latest version can be downloaded from the Renesas Electronics website.

Technical Update/Technical News

The latest information can be downloaded from the Renesas Electronics website.

M16C Series/R8C Family C Compiler Package V.5.45 C Compiler User Manual Rev.2.00

The latest version can be downloaded from the Renesas Electronics website.

Website and Support

Renesas Electronics website

<http://www.renesas.com/>

Inquiries

<http://www.renesas.com/inquiry>

Revision History	M16C/65 Group Three-phase Motor Control Timer Functions (Triangular Wave Modulation, Three-phase Mode 1)
-------------------------	--

Rev.	Date	Description	
		Page	Summary
1.00	2010.08.06	—	First edition issued

General Precautions in the Handling of MPU/MCU Products

The following usage notes are applicable to all MPU/MCU products from Renesas. For detailed usage notes on the products covered by this manual, refer to the relevant sections of the manual. If the descriptions under General Precautions in the Handling of MPU/MCU Products and in the body of the manual differ from each other, the description in the body of the manual takes precedence.

1. Handling of Unused Pins

- Handle unused pins in accord with the directions given under Handling of Unused Pins in the manual.
- The input pins of CMOS products are generally in the high-impedance state. In operation with an unused pin in the open-circuit state, extra electromagnetic noise is induced in the vicinity of LSI, an associated shoot-through current flows internally, and malfunctions occur due to the false recognition of the pin state as an input signal become possible. Unused pins should be handled as described under Handling of Unused Pins in the manual.

2. Processing at Power-on

- The state of the product is undefined at the moment when power is supplied.
- The states of internal circuits in the LSI are indeterminate and the states of register settings and pins are undefined at the moment when power is supplied.
 - In a finished product where the reset signal is applied to the external reset pin, the states of pins are not guaranteed from the moment when power is supplied until the reset process is completed.
 - In a similar way, the states of pins in a product that is reset by an on-chip power-on reset function are not guaranteed from the moment when power is supplied until the power reaches the level at which resetting has been specified.

3. Prohibition of Access to Reserved Addresses

- Access to reserved addresses is prohibited.
- The reserved addresses are provided for the possible future expansion of functions. Do not access these addresses; the correct operation of LSI is not guaranteed if they are accessed.

4. Clock Signals

- After applying a reset, only release the reset line after the operating clock signal has become stable. When switching the clock signal during program execution, wait until the target clock signal has stabilized.
- When the clock signal is generated with an external resonator (or from an external oscillator) during a reset, ensure that the reset line is only released after full stabilization of the clock signal. Moreover, when switching to a clock signal produced with an external resonator (or by an external oscillator) while program execution is in progress, wait until the target clock signal is stable.

5. Differences between Products

- Before changing from one product to another, i.e. to one with a different type number, confirm that the change will not lead to problems.
- The characteristics of MPU/MCU in the same group but having different type numbers may differ because of the differences in internal memory capacity and layout pattern. When changing to products of different type numbers, implement a system-evaluation test for each of the products.

Notice

- All information included in this document is current as of the date this document is issued. Such information, however, is subject to change without any prior notice. Before purchasing or using any Renesas Electronics products listed herein, please confirm the latest product information with a Renesas Electronics sales office. Also, please pay regular and careful attention to additional and different information to be disclosed by Renesas Electronics such as that disclosed through our website.
- Renesas Electronics does not assume any liability for infringement of patents, copyrights, or other intellectual property rights of third parties by or arising from the use of Renesas Electronics products or technical information described in this document. No license, express, implied or otherwise, is granted hereby under any patents, copyrights or other intellectual property rights of Renesas Electronics or others.
- You should not alter, modify, copy, or otherwise misappropriate any Renesas Electronics product, whether in whole or in part.
- Descriptions of circuits, software and other related information in this document are provided only to illustrate the operation of semiconductor products and application examples. You are fully responsible for the incorporation of these circuits, software, and information in the design of your equipment. Renesas Electronics assumes no responsibility for any losses incurred by you or third parties arising from the use of these circuits, software, or information.
- When exporting the products or technology described in this document, you should comply with the applicable export control laws and regulations and follow the procedures required by such laws and regulations. You should not use Renesas Electronics products or the technology described in this document for any purpose relating to military applications or use by the military, including but not limited to the development of weapons of mass destruction. Renesas Electronics products and technology may not be used for or incorporated into any products or systems whose manufacture, use, or sale is prohibited under any applicable domestic or foreign laws or regulations.
- Renesas Electronics has used reasonable care in preparing the information included in this document, but Renesas Electronics does not warrant that such information is error free. Renesas Electronics assumes no liability whatsoever for any damages incurred by you resulting from errors in or omissions from the information included herein.
- Renesas Electronics products are classified according to the following three quality grades: "Standard", "High Quality", and "Specific". The recommended applications for each Renesas Electronics product depends on the product's quality grade, as indicated below. You must check the quality grade of each Renesas Electronics product before using it in a particular application. You may not use any Renesas Electronics product for any application categorized as "Specific" without the prior written consent of Renesas Electronics. Further, you may not use any Renesas Electronics product for any application for which it is not intended without the prior written consent of Renesas Electronics. Renesas Electronics shall not be in any way liable for any damages or losses incurred by you or third parties arising from the use of any Renesas Electronics product for an application categorized as "Specific" or for which the product is not intended where you have failed to obtain the prior written consent of Renesas Electronics. The quality grade of each Renesas Electronics product is "Standard" unless otherwise expressly specified in a Renesas Electronics data sheets or data books, etc.
"Standard": Computers; office equipment; communications equipment; test and measurement equipment; audio and visual equipment; home electronic appliances; machine tools; personal electronic equipment; and industrial robots.
"High Quality": Transportation equipment (automobiles, trains, ships, etc.); traffic control systems; anti-disaster systems; anti-crime systems; safety equipment; and medical equipment not specifically designed for life support.
"Specific": Aircraft; aerospace equipment; submersible repeaters; nuclear reactor control systems; medical equipment or systems for life support (e.g. artificial life support devices or systems), surgical implantations, or healthcare intervention (e.g. excision, etc.), and any other applications or purposes that pose a direct threat to human life.
- You should use the Renesas Electronics products described in this document within the range specified by Renesas Electronics, especially with respect to the maximum rating, operating supply voltage range, movement power voltage range, heat radiation characteristics, installation and other product characteristics. Renesas Electronics shall have no liability for malfunctions or damages arising out of the use of Renesas Electronics products beyond such specified ranges.
- Although Renesas Electronics endeavors to improve the quality and reliability of its products, semiconductor products have specific characteristics such as the occurrence of failure at a certain rate and malfunctions under certain use conditions. Further, Renesas Electronics products are not subject to radiation resistance design. Please be sure to implement safety measures to guard them against the possibility of physical injury, and injury or damage caused by fire in the event of the failure of a Renesas Electronics product, such as safety design for hardware and software including but not limited to redundancy, fire control and malfunction prevention, appropriate treatment for aging degradation or any other appropriate measures. Because the evaluation of microcomputer software alone is very difficult, please evaluate the safety of the final products or system manufactured by you.
- Please contact a Renesas Electronics sales office for details as to environmental matters such as the environmental compatibility of each Renesas Electronics product. Please use Renesas Electronics products in compliance with all applicable laws and regulations that regulate the inclusion or use of controlled substances, including without limitation, the EU RoHS Directive. Renesas Electronics assumes no liability for damages or losses occurring as a result of your noncompliance with applicable laws and regulations.
- This document may not be reproduced or duplicated, in any form, in whole or in part, without prior written consent of Renesas Electronics.
- Please contact a Renesas Electronics sales office if you have any questions regarding the information contained in this document or Renesas Electronics products, or if you have any other inquiries.
(Note 1) "Renesas Electronics" as used in this document means Renesas Electronics Corporation and also includes its majority-owned subsidiaries.
(Note 2) "Renesas Electronics product(s)" means any product developed or manufactured by or for Renesas Electronics.



SALES OFFICES

Renesas Electronics Corporation

<http://www.renesas.com>

Refer to "<http://www.renesas.com/>" for the latest and detailed information.

Renesas Electronics America Inc.

2880 Scott Boulevard Santa Clara, CA 95050-2554, U.S.A.
Tel: +1-408-588-6000, Fax: +1-408-588-6130

Renesas Electronics Canada Limited

1101 Nicholson Road, Newmarket, Ontario L3Y 9C3, Canada
Tel: +1-905-898-5441, Fax: +1-905-898-3220

Renesas Electronics Europe Limited

Dukes Meadow, Millboard Road, Bourne End, Buckinghamshire, SL8 5FH, U.K.
Tel: +44-1628-585-100, Fax: +44-1628-585-900

Renesas Electronics Europe GmbH

Arcadiastrasse 10, 40472 Düsseldorf, Germany
Tel: +49-211-6503-0, Fax: +49-211-6503-1327

Renesas Electronics (China) Co., Ltd.

7th Floor, Quantum Plaza, No.27 ZhiChunLu Haidian District, Beijing 100083, P.R.China
Tel: +86-10-8235-1155, Fax: +86-10-8235-7679

Renesas Electronics (Shanghai) Co., Ltd.

Unit 204, 205, AZIA Center, No.1233 Lujiazui Ring Rd., Pudong District, Shanghai 200120, China
Tel: +86-21-5877-1818, Fax: +86-21-6887-7858 / -7898

Renesas Electronics Hong Kong Limited

Unit 1601-1613, 16/F., Tower 2, Grand Century Place, 193 Prince Edward Road West, Mongkok, Kowloon, Hong Kong
Tel: +852-2886-9318, Fax: +852-2886-9022/9044

Renesas Electronics Taiwan Co., Ltd.

7F, No. 363 Fu Shing North Road Taipei, Taiwan, R.O.C.
Tel: +886-2-8175-9600, Fax: +886-2-8175-9670

Renesas Electronics Singapore Pte. Ltd.

1 HarbourFront Avenue, #06-10, Keppel Bay Tower, Singapore 098632
Tel: +65-6213-0200, Fax: +65-6278-8001

Renesas Electronics Malaysia Sdn.Bhd.

Unit 906, Block B, Menara Amcorp, Amcorp Trade Centre, No. 18, Jln Persiaran Barat, 46050 Petaling Jaya, Selangor Darul Ehsan, Malaysia
Tel: +60-3-7955-9390, Fax: +60-3-7955-9510

Renesas Electronics Korea Co., Ltd.

11F., Samik Lavied' or Bldg., 720-2 Yeoksam-Dong, Kangnam-Ku, Seoul 135-080, Korea
Tel: +82-2-558-3737, Fax: +82-2-558-5141