

Introduction

The Intersil HS-3282 is a high performance CMOS programmable bus interface circuit that was designed to meet the requirements of ARINC Specification 429, and similarly encoded, time multiplexed serial data protocols. Its simple but efficient design allows the HS-3282 to be used without major complications in a variety of applications. By setting an internal control register, the HS-3282 can be programmed to operate at different data rates and with different word lengths, and to transmit either even or odd parity. The device can also be programmed to operate with or without a unique address (SDI — source/destination identifier), and with or without its self test mode implemented. Although the HS-3282 was designed to transmit and receive high-speed data rates (100K BPS or 12.5K BPS), standard baud rates of 9600 or 1200 BPS can be implemented by reducing the input clock frequency. The timing requirements of the HS-3282 make it compatible with 8086 microprocessor or other similarly based systems operating at 5MHz or less. Designed to meet the critical needs of today's advanced aircraft, the HS-3282 is a cornerstone of reliability for systems that cannot tolerate a wide margin of error.

Functional Operation of the HS-3282

In order to clarify and expand on the basic details given in the data sheet, the following information has been provided to point out some of the particularities of the HS-3282.

Clock Frequencies

The two receiver output signals, $\overline{D/R1}$ and $\overline{D/R2}$, have a minimum pulse width of one clock period. Because of this, when using a slower clock rate than 1MHz to drive the HS-3282, these outputs may remain in a low state for a few microseconds after the data in the receivers is fetched. This could cause the same data to be fetched more than once if these outputs are used to drive state sensitive interrupt requests; therefore, it is necessary to use edge sensitive interrupt requests, as mentioned in the typical application of the HS-3282 below.

Bi-Directional Data Bus

Data transfer to and from the host is accomplished via a 16-bit bidirectional, three-stated bus. The control of this bus is completely internal to the HS-3282. When data is written to the transmitter or the control word register, the bus is automatically enabled as an input; when data is read from the receivers, the bus is automatically enabled as an output; at all other times, the bus is in a high impedance state and will not interfere with external operations.

Setting Up the Control Word Register

When a low to high transition occurs on the \overline{CWSTR} pin, the data on the eleven most significant bits of the bidirectional bus is latched into the control word register. The location and function of each of these bits is shown in the data sheet.

Receiver Operation

Incoming data from the line receiver (or from the self test circuit) is shifted into the data shift register by the word gap timer on an edge sensitive basis. This results in a high data rate tolerance; although ARINC specification 429 requires at least a $\pm 1\%$ tolerance, the HS-3282 has at least a $\pm 10\%$ tolerance at all data rates. In order to prevent reception errors, the word gap timer is designed to disable and reset the receiver upon reception of two consecutive null times (or two consecutive data times), and re-enable the receiver after four additional null times. If a word of the proper length (and SDI) has been received by this time, the word will be latched and the $\overline{D/R}$ flag of the corresponding receiver will go low to signal the host that a valid word is ready to be fetched. (For the most efficient operation, the $\overline{D/R}$ flags should be used to generate interrupt requests to the host system.) It should be noted that the parity bit that is stored in the receiver latch may be different than the parity bit of the word that was received. This is because the parity bit that is stored in the receiver latch is actually a parity flag, indicating by its status the parity of the word that was received: if the parity of the word received was odd, the parity flag will be a logic "0"; if the parity of the word received was even, the parity flag will be a logic "1".

Once a word is ready to be fetched, it may be read by the host system in two 16-bit parts over the bi-directional bus by strobing the appropriate \overline{EN} line low twice, once with the SEL line low to read "word 1" and once with the SEL line high to read "word 2". (If preferred, "word 2" may be read before "word 1", or the \overline{EN} line may be held low for one long pulse while the SEL input is toggled to select first one word and then the other.) The actual ARINC contents of these two 16-bit "words" (or the contents of the 25-bit word length) is shown in the data sheet. It should be noted that the $\overline{D/R}$ flag will not be reset unless both words are read.

Transmitter Operation

As mentioned in the data sheet, the transmitter has a FIFO that can hold up to eight data words. Although the HS-3282 has two inputs, $\overline{PL1}$ and $\overline{PL2}$, used to write data into the FIFO, the data is not actually entered into the FIFO until the second input ($\overline{PL2}$) is pulsed low. Therefore, the first half of each data word must be written to the HS-3282 first. Then, when the $\overline{PL2}$ input is pulsed low to write the second half of the word, the proper data will be transferred into the FIFO.

The HS-3282 transmitter is designed to transmit data in sets containing from one to eight 32 or 25-bit words. It is of primary importance that the transmitter FIFO not be disturbed while this transmission is taking place; therefore, systems should be designed to disallow writing to the FIFO while transmission is taking place. The only exception to this rule is that words can be written into the FIFO while the first word (only) is being transmitted; if transmission of a second word is started before the TX/R has returned to a high state, the FIFO must remain undisturbed until the entire transmission sequence is completed and the TX/R flag goes high.

The TX/R flag becomes useful here as an interrupt request output to the host system, signaling that the FIFO is ready for another set of data words.

It is also of primary importance that the ENTX input remain high for the duration of the transmission sequence or the integrity of the data in the FIFO will be broken. This can best be accomplished by feeding the TX/R flag through an inverter and back into the ENTX input. This application will enable the transmitter as soon as the first word is written into the FIFO, and keep it enabled until the transmission sequence is completed; since most host systems operate at much greater speeds than the transmitter, an additional seven words could easily be written into the FIFO while the first word is still being transmitted.

The value of the parity bit as written into the FIFO makes no difference since the transmitter sets the parity bit at transmission time according to the type of parity that it has been programmed to transmit.

Lightning Protection

Although the bus driver has been protected by a 100mW fuse capable of sinking up to 1A for short periods of time (100ms) and internal zener diodes which saturate at about 8.7V, the bus interface circuit has no such protection for its receiver inputs. Because of the possibility of a lightning strike to aircraft, additional protection should be used to protect both the HS-3282 and the bus driver from high voltage spikes. External avalanche diodes with high power ratings (five or ten watts) should be used to clamp the bus at about $\pm 6.8V$. This will prevent the fuse and the zeners in the driver from being burned out by current surges,

and it will keep the voltage level on the inputs of the receiver within acceptable limits.

A Typical Application of the HS-3282

The following example shows one possible way to interface the HS-3282 with a host system. Although different applications may require different approaches, most systems will have requirements similar to those that have been met here.

Logical Control

As shown in Figure 1, the support circuitry necessary to integrate the HS-3282 into a system primarily involves a logic circuit to drive the control inputs. In most cases, this can be achieved using microprocessor \overline{RD} and \overline{WR} bus control signals and two address lines in conjunction with a decoded chip select line and a DEN (data enable) line. During READ operations, the particular function ($\overline{EN1}$ or $\overline{EN2}$) is selected when the proper address is present while the \overline{RD} line is low; note that the second LSB of the address bus is used to select either word 1 or word 2. The DEN line is used to signal the BIU to place its data on the bus.

Therefore, for read operations, the only timing requirement the host system must meet is a minimum DEN pulse of 200ns plus the propagation delay of the enable gates. During write operations, the \overline{WR} line is inverted and used instead of the \overline{DEN} line to enable the particular function (\overline{CWSTR} , $\overline{PL1}$, or $\overline{PL2}$) previously selected by the address bus. Since the minimum data hold time of the HS-3282 is 0ns, the timing requirement for write operations, besides the minimum 200ns \overline{WR} pulse, is a minimum data disable delay equal to the total propagation delay caused by the function enable gates.

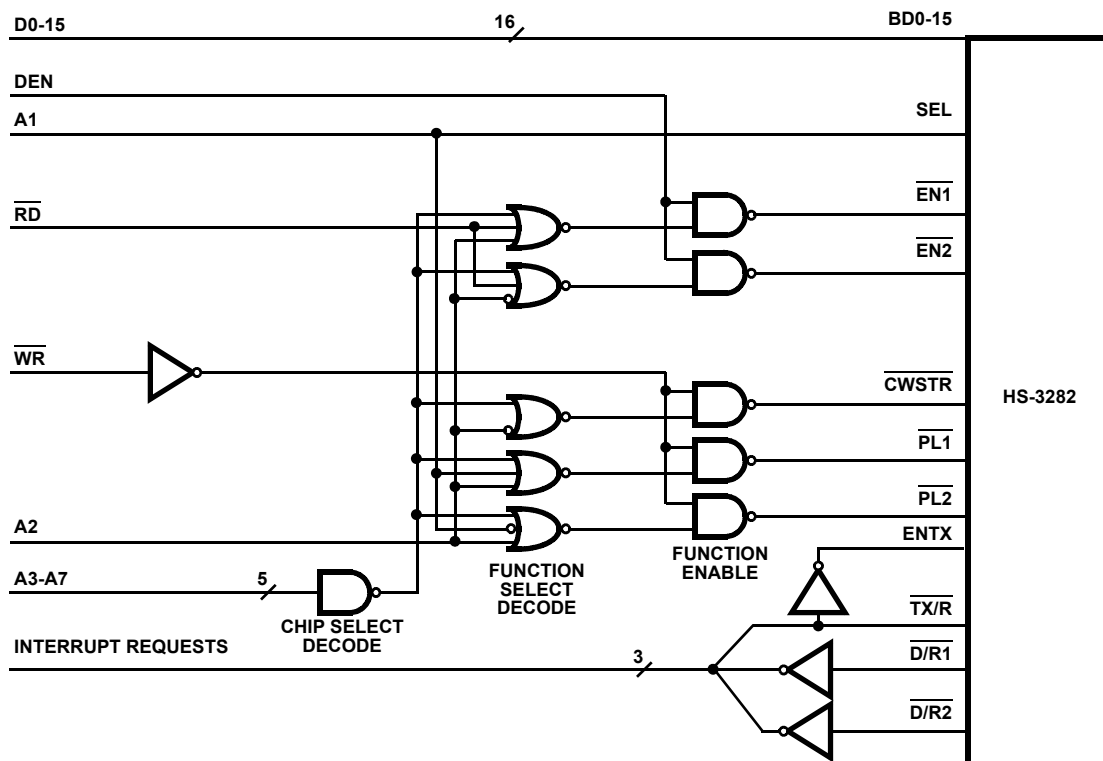


FIGURE 1. TYPICAL HOST TO HS-3282 INTERFACE LOGIC

Address Decoding

In the system shown, the transmitter FIFO is decoded as addresses F8 (first word) and FA (second word), and the control word register is at FC; writing to these addresses will load the corresponding registers of the HS-3282. Receiver latch #1 is at addresses F8 (first word) and FA (second word), and Receiver latch #2 is at addresses FC (first word) and FE (second word); reading these addresses will load the data from the corresponding receiver latch of the HS-3282. Note that an address line can be connected directly to the SEL input of the HS-3282 to perform the receiver latch word select function. Since it is impossible to write to the receiver latches or to read the transmitter FIFO and the control word register, the addresses of the read functions can overlap the addresses of the write functions without presenting a problem. See Table 1.

TABLE 1. TYPICAL HS-3282 FUNCTIONAL DECODING

$\overline{\text{RD}}$	$\overline{\text{WR}}$	ADDRESS			
		F8	FA	FC	FE
1	0	$\overline{\text{PL1}}$	$\overline{\text{PL2}}$	CWSTR	CWSTR
0	1	$\overline{\text{EN1}}$ (1st Word)	$\overline{\text{EN1}}$ (2nd Word)	EN2 (1st Word)	EN2 (2nd Word)

Interrupts

For the most efficient operation, any system incorporating the HS-3282 should provide conditions by which the device can generate interrupt requests to the host system. If both receivers are being used, then a minimum of three interrupt vectors are needed: one (TX/R) to signal the end of a data set transmission, and one for each of the receivers (D/R) to signal the presence of a valid word ready to be fetched. Since the TX/R signal can remain high for indeterminate periods of time while the transmitter is inactive, the requests should be received by the host on an edge sensitive basis.

Software Requirements

A flowchart of a simple algorithm that the host system could use to exercise and monitor the functions of the HS-3282 is shown in Figure 2. In order to begin, the HS-3282 must be initialized with a control word, then the host should set some flag in system memory to indicate that the transmitter is available. If data is ready to be transmitted, the host should store the data in a temporary buffer until the transmitter becomes available. At this time, the data is taken from the buffer and loaded into the transmitter FIFO (eight 32-bit words maximum). After loading the FIFO, the host should reset the flag in system memory mentioned previously to indicate that the transmitter is no longer available. Unless an interrupt is received by this time, the host can move on to other tasks or continue storing data in the temporary buffer (as shown by the broken arrow). If a D/R interrupt is received, data can be read from the receiver latch and any corresponding action taken. If a TX/R interrupt is received, the transmitter available flag should be set once again, and any ready data in the buffer could be written into the FIFO.

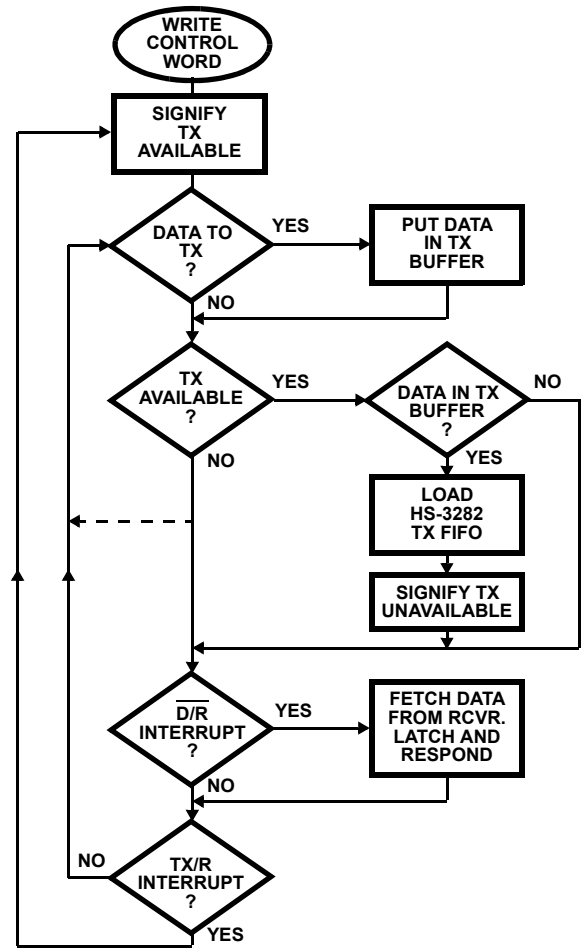


FIGURE 2. SIMPLE HS-3282 DRIVER ALGORITHM

Adapting the HS-3282 to an 8-Bit Data Bus

Although designed for a 16-bit data bus, the HS-3282 can be used in systems with an 8-bit data bus by adding a few external components. The following example shows how this can be done.

Logical Control

Figure 3 shows the circuitry necessary to integrate the HS-3282 into a system that utilizes an 8-bit data bus. The circuit is very similar to the one in Figure 1, the primary difference being the addition of the logic circuitry necessary to drive two input/output latches. The primary purpose of this additional circuitry is to latch the high order byte of data so that the host system can accomplish each 16-bit data transfer with the HS-3282 by using two separate 8-bit operations. Each of the two latches serves a specific purpose: the output latch provides the HS-3282 with the high order byte during write operations (PL1, PL2, and CWSTR), and the input latch receives the high order byte during read operations (EN1 and EN2). The outputs on these latches should be three-stated to avoid bus contention. The least significant bit of the address bus is used to activate the latches onto the host system data bus whenever the host system is performing high order byte operations, and this same address bit is inverted and added as an input to each

of the function enable gates to prevent the HS-3282 from being activated at the same time. During low order byte operations, the outputs of the function enable gates are used to activate the latches onto the high order byte of the bidirectional bus of the HS-3282, allowing the BIU to instantaneously transfer a full 16-bit word. Since the latches are automatically activated in unison with the BIU during low order byte operations, the high order byte must be handled first during write operations so that the proper data will be present in the output latch when the lower byte is written to the BIU. Conversely, the low order byte must be handled first during read operations since the high order byte is automatically strobed into the input latch when the low order byte is read. Timing requirements are increased by the additional logic gates; read operations now require a minimum DEN pulse equal to 200ns plus the propagation delays of two logic gates, a one-shot, and the input latch; write operations now require a minimum delay from address valid to \overline{WR} enable equal to the propagation delays of two gates and a minimum \overline{WR} pulse of 200ns plus the propagation delays of two gates and the output latch.

Note that one shots are used to drive the strobes on the latches. This is necessary so that the falling edge of the strobe occurs while the data is still active on the bus; otherwise, the propagation delays of the additional gates would cause the latches to close after the data had been disenabled.

Address Decoding

The system in Figure 3 will have the same functional addresses as the system in Figure 1 except that in this case each particular byte of each register has its own address. Therefore, the FIFO is still located at addresses F8 (first word, low byte) and FA (second word, low byte); however, the high bytes must be addressed as F9 (first word) and FB (second word). The receivers are addressed in the same way as shown in Table 2.

Conclusion

Although it was designed for ARINC applications, the HS-3282 bus interface circuit is a very versatile device, capable of serving any type of communications purpose. Its high speed capa-

bility and its high reliability make it especially useful in scientific and real time operations where large volume data gathering and time critical transmission of control signals is required. These qualities, in combination with the simplicity with which the device may be incorporated into a system, make the HS-3282 a wise choice for a wide spectrum of applications.

ARINC Specification 429 A Brief Overview

ARINC Specification 429, otherwise known as the Mark 33 Digital Information Transfer System (DITS), is a definition of standards used extensively by the air transport industry for the transfer of digital data between avionics systems elements. Systems utilizing this standard have been installed in a wide range of aircraft including the Boeing 737, 747, 757, and 767; the European Airbus; Bell Helicopter; and a large number of small aircraft. Replacing the earlier ARINC Specification 419 which had standardized the various forms of serial transmission developed during the emergent period of digital avionics technology, Specification 429 eliminates much of the previous confusion by defining the standard for a single form of serial transmission.

According to Specification 429, digital data is transmitted via a differential signal over a uni-directional bus composed of two twisted and shielded wires. The data is sent in 32-bit words, each word containing a parity bit and an eight-bit label that defines the flight function to which the remaining data pertains. This data, encoded in either numeric (binary or BCD) or alphabetic (ISO No. 5) format, is further divided into various fields according to label type. In order to completely standardize communication and prevent conflicts, all flight functions have been assigned a particular label and data format.

The ARINC Specification 429, by defining a single standard for the transfer of digital information, eliminates the need for complex interfaces between avionics systems produced by different manufacturers. This provides those avionics components that conform to this standard with a virtual "plug-in" capability, and gives such components a certain measure of universality. For more information about this specification, contact Aeronautical Radio, Inc., 2551 Riva Road, Annapolis, Maryland 21401.

TABLE 2. TYPICAL HS-3282 FUNCTIONAL DECODING USING AN 8-BIT DATA BUS

\overline{RD}	\overline{WR}	ADDRESS							
		F8	F9	FA	FB	FC	FD	FE	FF
1	0	$\overline{PL1}$ Low Byte	$\overline{PL1}$ High Byte	$\overline{PL2}$ Low Byte	$\overline{PL2}$ High Byte	\overline{CWSTR} Low Byte	\overline{CWSTR} High Byte	\overline{CWSTR} Low Byte	\overline{CWSTR} High Byte
0	1	$\overline{EN1}$ Low Byte 1st Word	$\overline{EN1}$ High Byte 1st Word	$\overline{EN1}$ Low Byte 2nd Word	$\overline{EN1}$ High Byte 2nd Word	$\overline{EN2}$ Low Byte 1st Word	$\overline{EN2}$ High Byte 1st Word	$\overline{EN2}$ Low Byte 2nd Word	$\overline{EN2}$ High Byte 2nd Word

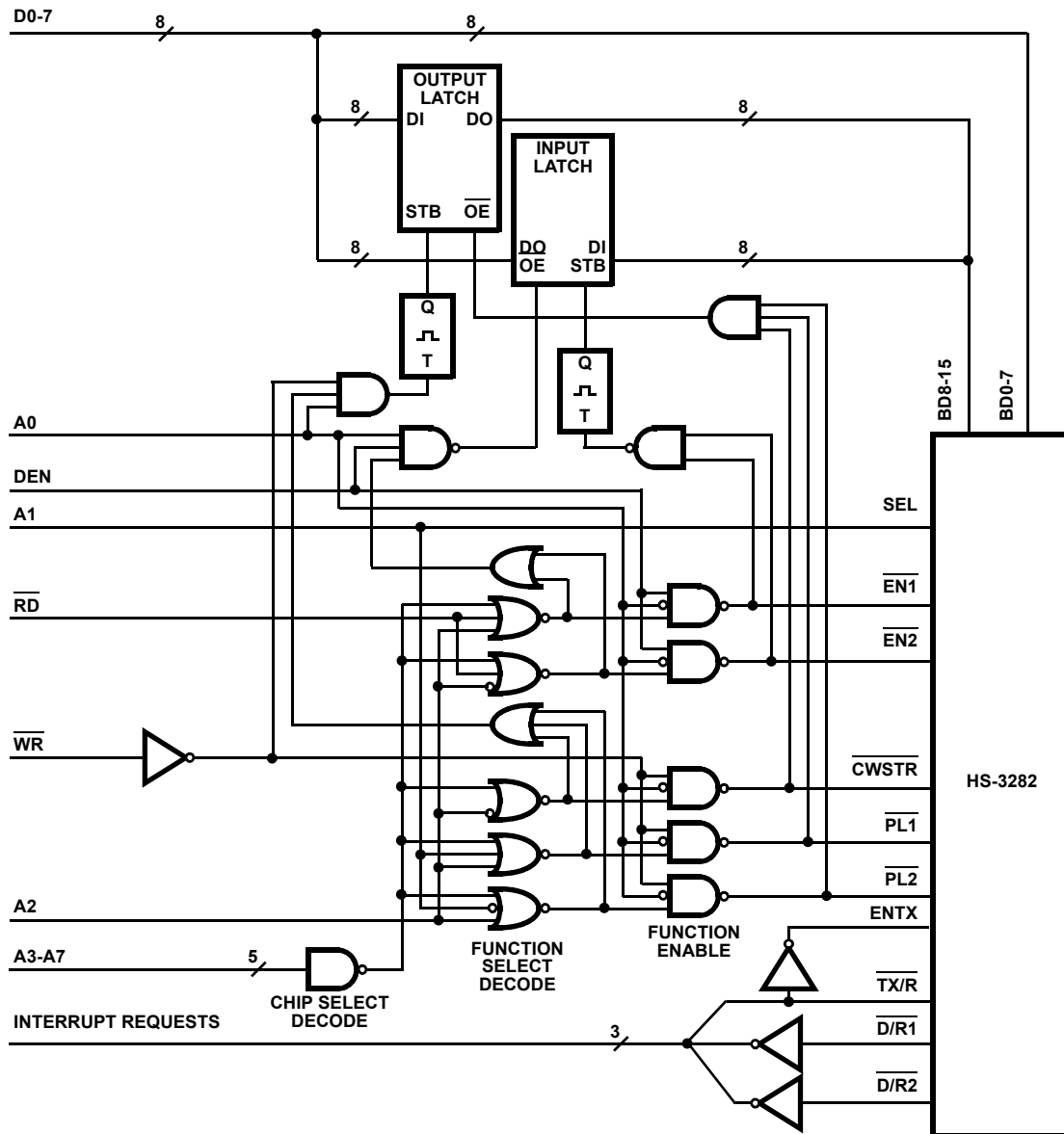


FIGURE 3. TYPICAL HOST TO HS-3282 INTERFACE LOGIC USING AN 8-BIT DATA BUS

Notice

1. Descriptions of circuits, software and other related information in this document are provided only to illustrate the operation of semiconductor products and application examples. You are fully responsible for the incorporation or any other use of the circuits, software, and information in the design of your product or system. Renesas Electronics disclaims any and all liability for any losses and damages incurred by you or third parties arising from the use of these circuits, software, or information.
2. Renesas Electronics hereby expressly disclaims any warranties against and liability for infringement or any other claims involving patents, copyrights, or other intellectual property rights of third parties, by or arising from the use of Renesas Electronics products or technical information described in this document, including but not limited to, the product data, drawings, charts, programs, algorithms, and application examples.
3. No license, express, implied or otherwise, is granted hereby under any patents, copyrights or other intellectual property rights of Renesas Electronics or others.
4. You shall not alter, modify, copy, or reverse engineer any Renesas Electronics product, whether in whole or in part. Renesas Electronics disclaims any and all liability for any losses or damages incurred by you or third parties arising from such alteration, modification, copying or reverse engineering.
5. Renesas Electronics products are classified according to the following two quality grades: "Standard" and "High Quality". The intended applications for each Renesas Electronics product depends on the product's quality grade, as indicated below.
"Standard": Computers; office equipment; communications equipment; test and measurement equipment; audio and visual equipment; home electronic appliances; machine tools; personal electronic equipment; industrial robots; etc.
"High Quality": Transportation equipment (automobiles, trains, ships, etc.); traffic control (traffic lights); large-scale communication equipment; key financial terminal systems; safety control equipment; etc.
Unless expressly designated as a high reliability product or a product for harsh environments in a Renesas Electronics data sheet or other Renesas Electronics document, Renesas Electronics products are not intended or authorized for use in products or systems that may pose a direct threat to human life or bodily injury (artificial life support devices or systems; surgical implantations; etc.), or may cause serious property damage (space system; undersea repeaters; nuclear power control systems; aircraft control systems; key plant systems; military equipment; etc.). Renesas Electronics disclaims any and all liability for any damages or losses incurred by you or any third parties arising from the use of any Renesas Electronics product that is inconsistent with any Renesas Electronics data sheet, user's manual or other Renesas Electronics document.
6. When using Renesas Electronics products, refer to the latest product information (data sheets, user's manuals, application notes, "General Notes for Handling and Using Semiconductor Devices" in the reliability handbook, etc.), and ensure that usage conditions are within the ranges specified by Renesas Electronics with respect to maximum ratings, operating power supply voltage range, heat dissipation characteristics, installation, etc. Renesas Electronics disclaims any and all liability for any malfunctions, failure or accident arising out of the use of Renesas Electronics products outside of such specified ranges.
7. Although Renesas Electronics endeavors to improve the quality and reliability of Renesas Electronics products, semiconductor products have specific characteristics, such as the occurrence of failure at a certain rate and malfunctions under certain use conditions. Unless designated as a high reliability product or a product for harsh environments in a Renesas Electronics data sheet or other Renesas Electronics document, Renesas Electronics products are not subject to radiation resistance design. You are responsible for implementing safety measures to guard against the possibility of bodily injury, injury or damage caused by fire, and/or danger to the public in the event of a failure or malfunction of Renesas Electronics products, such as safety design for hardware and software, including but not limited to redundancy, fire control and malfunction prevention, appropriate treatment for aging degradation or any other appropriate measures. Because the evaluation of microcomputer software alone is very difficult and impractical, you are responsible for evaluating the safety of the final products or systems manufactured by you.
8. Please contact a Renesas Electronics sales office for details as to environmental matters such as the environmental compatibility of each Renesas Electronics product. You are responsible for carefully and sufficiently investigating applicable laws and regulations that regulate the inclusion or use of controlled substances, including without limitation, the EU RoHS Directive, and using Renesas Electronics products in compliance with all these applicable laws and regulations. Renesas Electronics disclaims any and all liability for damages or losses occurring as a result of your noncompliance with applicable laws and regulations.
9. Renesas Electronics products and technologies shall not be used for or incorporated into any products or systems whose manufacture, use, or sale is prohibited under any applicable domestic or foreign laws or regulations. You shall comply with any applicable export control laws and regulations promulgated and administered by the governments of any countries asserting jurisdiction over the parties or transactions.
10. It is the responsibility of the buyer or distributor of Renesas Electronics products, or any other party who distributes, disposes of, or otherwise sells or transfers the product to a third party, to notify such third party in advance of the contents and conditions set forth in this document.
11. This document shall not be reprinted, reproduced or duplicated in any form, in whole or in part, without prior written consent of Renesas Electronics.
12. Please contact a Renesas Electronics sales office if you have any questions regarding the information contained in this document or Renesas Electronics products.
(Note 1) "Renesas Electronics" as used in this document means Renesas Electronics Corporation and also includes its directly or indirectly controlled subsidiaries.
(Note 2) "Renesas Electronics product(s)" means any product developed or manufactured by or for Renesas Electronics.

(Rev.4.0-1 November 2017)



SALES OFFICES

Renesas Electronics Corporation

<http://www.renesas.com>

Refer to "<http://www.renesas.com/>" for the latest and detailed information.

Renesas Electronics America Inc.
1001 Murphy Ranch Road, Milpitas, CA 95035, U.S.A.
Tel: +1-408-432-8888, Fax: +1-408-434-5351

Renesas Electronics Canada Limited
9251 Yonge Street, Suite 8309 Richmond Hill, Ontario Canada L4C 9T3
Tel: +1-905-237-2004

Renesas Electronics Europe Limited
Dukes Meadow, Millboard Road, Bourne End, Buckinghamshire, SL8 5FH, U.K
Tel: +44-1628-651-700, Fax: +44-1628-651-804

Renesas Electronics Europe GmbH
Arcadiastrasse 10, 40472 Düsseldorf, Germany
Tel: +49-211-6503-0, Fax: +49-211-6503-1327

Renesas Electronics (China) Co., Ltd.
Room 1709 Quantum Plaza, No.27 ZhichunLu, Haidian District, Beijing, 100191 P. R. China
Tel: +86-10-8235-1155, Fax: +86-10-8235-7679

Renesas Electronics (Shanghai) Co., Ltd.
Unit 301, Tower A, Central Towers, 555 Langao Road, Putuo District, Shanghai, 200333 P. R. China
Tel: +86-21-2226-0888, Fax: +86-21-2226-0999

Renesas Electronics Hong Kong Limited
Unit 1601-1611, 16/F., Tower 2, Grand Century Place, 193 Prince Edward Road West, Mongkok, Kowloon, Hong Kong
Tel: +852-2265-6688, Fax: +852-2886-9022

Renesas Electronics Taiwan Co., Ltd.
13F, No. 363, Fu Shing North Road, Taipei 10543, Taiwan
Tel: +886-2-8175-9600, Fax: +886-2-8175-9670

Renesas Electronics Singapore Pte. Ltd.
80 Bendemeer Road, Unit #06-02 Hyflux Innovation Centre, Singapore 339949
Tel: +65-6213-0200, Fax: +65-6213-0300

Renesas Electronics Malaysia Sdn.Bhd.
Unit 1207, Block B, Menara Amcorp, Amcorp Trade Centre, No. 18, Jln Persiaran Barat, 46050 Petaling Jaya, Selangor Darul Ehsan, Malaysia
Tel: +60-3-7955-9390, Fax: +60-3-7955-9510

Renesas Electronics India Pvt. Ltd.
No.777C, 100 Feet Road, HAL 2nd Stage, Indiranagar, Bangalore 560 038, India
Tel: +91-80-67208700, Fax: +91-80-67208777

Renesas Electronics Korea Co., Ltd.
17F, KAMCO Yangjae Tower, 262, Gangnam-daero, Gangnam-gu, Seoul, 06265 Korea
Tel: +82-2-558-3737, Fax: +82-2-558-5338