

Implementing a Three Pin, Half-Duplex, Dual Protocol (RS-232/RS-485) Interface Using the ISL81387 or ISL41387

The simplest RS-232 or RS-485 bidirectional interface requires only three pins. For RS-232, those pins are the single-ended signals Transmit Data (TXD), Receive Data (RXD) and GND, whereas in the RS-485 interface, the pins are GND, and the bidirectional differential data lines Data+ and Data-. A three pin RS-485 interface requires a half duplex configuration where the transmitter (Tx) and receiver (Rx) terminals of the same polarity (inverting or non-inverting) are connected together, as shown in Figure 1.

Many applications (e.g., single board computers) need flexibility in defining the protocol of a port. Dual protocol ICs are ideal for this task, as the user can switch between the protocols (RS-232 and RS-485) at will, but it isn't always obvious how to implement the desired configuration.

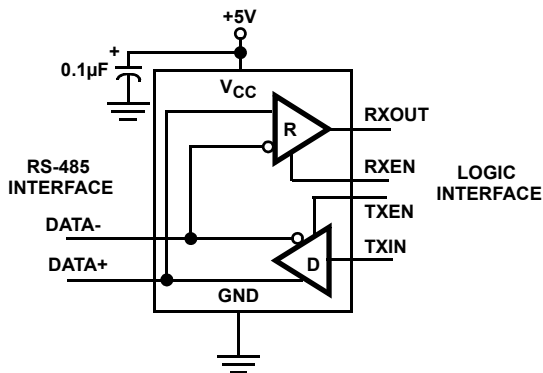


FIGURE 1. STANDARD RS-485 HALF DUPLEX TRANSCEIVER

Understanding the ISL81387, ISL41387

Figure 2 details the basic ISL81387 and ISL41387 architecture. As you can see, the two Rx input pins (A and B) are shared between the differential RS-485 Rx, and two single-ended RS-232 Rx. Likewise, the two Tx output pins (Y and Z) are shared between the differential RS-485 Tx, and the two RS-232 Tx. In most RS-232 modes, all (two of each) of the single ended transmitters and receivers are enabled. This can cause some issues which will be described in the next section.

Note: The ISL81387, ISL41387 don't follow the standard convention where A and Y are the noninverting RS-485 signals, and where B and Z are the inverting signals. Use care to ensure that the ISL81387, ISL41387 signals match the polarity of the bus signals to which they connect.

The 485/232 pin selects the bus protocol, while the combined states of the DEN, RXEN, and ON pins not only control whether the Rx and Tx outputs are enabled, but they also set the ISL81387, ISL41387's sub-mode (e.g., SHDN, loopback, etc.). One of these sub-modes is particularly

useful for this three pin half duplex application, as will be shown in a later section.

The Dz/SLEW pin is the Z Transmitter input for RS-232 mode, or it selects the Tx output slew rate (fast or medium) in RS-485 mode. Drive the SLEW pin high for RS-485 data rates greater than 800kbps, or drive it low for data rates of 800kbps or less.

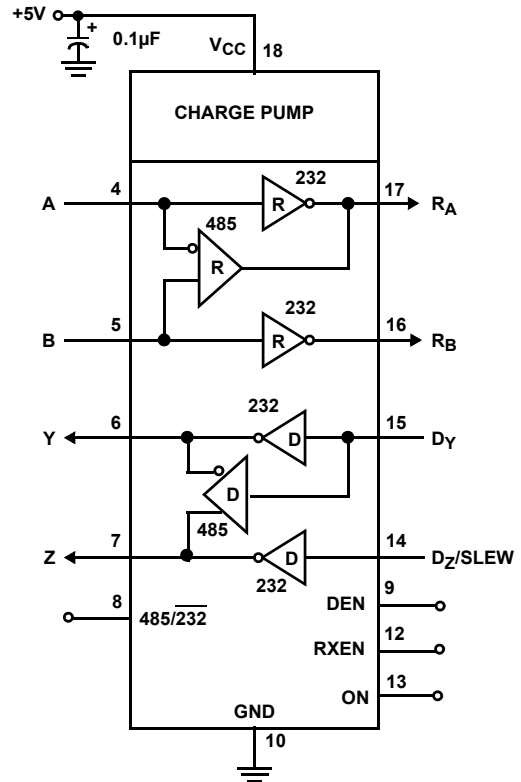


FIGURE 2. ISL81387, ISL41387 FUNCTIONAL DIAGRAM

Configuring the ISL81387, ISL41387 for RS-485 Half Duplex Mode

Focusing on the RS-485 protocol, it's not unreasonable to think that you might be able to use the ISL81387, ISL41387 internal loopback mode to achieve half duplex functionality. In reality, the Rx used for the loopback function is not an RS-485/RS-422 compatible Rx, so it doesn't operate properly when receiving RS-485/RS-422 compliant data streams.

Nevertheless, it is a simple matter to externally connect the ISL81387, ISL41387 for half duplex operation. One simply shorts the noninverting Tx output and Rx input pins (pins 5 and 7) together, and shorts the inverting Tx output and Rx input pins (pins 4 and 6) together, as shown in Figure 3 for the ISL81387. The internal RS-232 Tx and Rx are all disabled in RS-485 mode, so they have no impact on

RS-485 operation. The Tx data for transmission is applied to the DY input (pin 15), and the received data is read via the RA output (pin 17). ON, RXEN, DEN, and 485/232 all connect to a "Logic 1", as shown in line 8 of Table 1, for a transceiver with an enabled Rx to echo back the TXD.

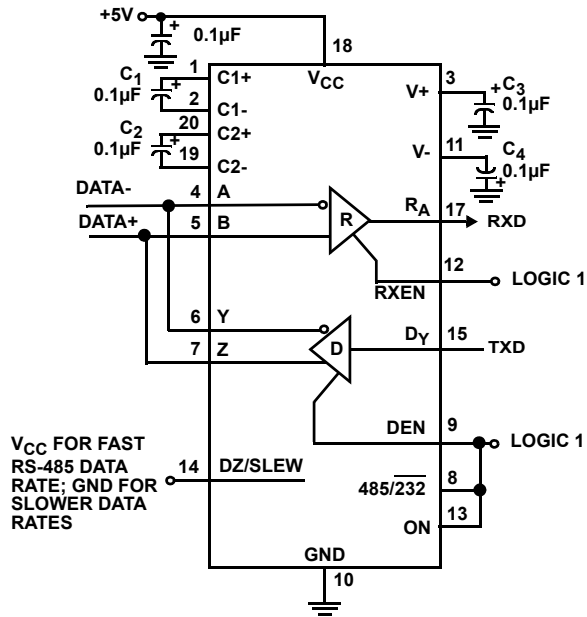


FIGURE 3. ISL81387 CONFIGURED FOR HALF-DUPLEX RS-485 OPERATION

But what happens when you switch the ISL81387, ISL41387 to RS-232 mode? Figure 4 illustrates the enabled functions and the connections in this instance. As you can see, each Rx input shorts to a Tx output, and because both Tx outputs enable in unison, data reception and transmission must be mutually exclusive. Even if this was acceptable, the RS-232 Tx driven by the TXD signal (per the Figure 3 RS-485 I/O definition) is externally shorted to the Rx that outputs the RXD signal. Since RS-232 ports expect TXD and RXD to be separate connector pins (because there is no requirement that the Tx and Rx on the other end of the cable be tri-statable) the RS-232 side TXD or RXD must be routed to the other Tx or Rx. This could be accomplished using external switches on the logic side, but needless to say, making it work would be a mess at best.

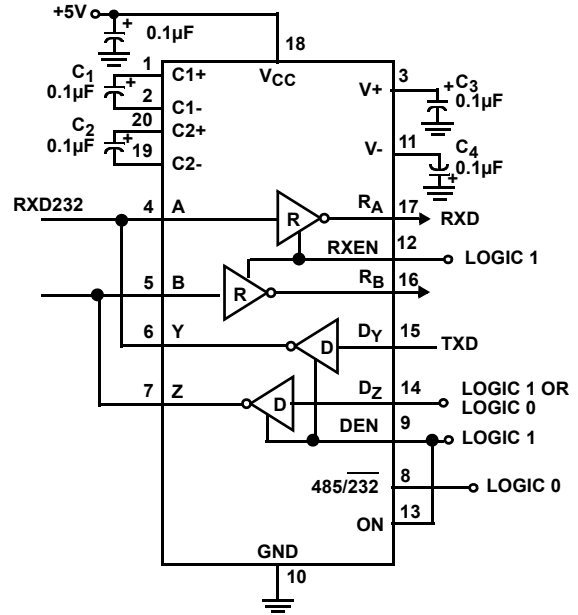


FIGURE 4. RS-232 CONNECTIONS WHEN ISL81387 IS CONFIGURED FOR HALF DUPLEX 485 MODE

### Special Mode Solves the Problems

The ISL81387, ISL41387 includes a mode specifically designed for this application. In this mode, only one Rx and one Tx enable in RS-232 mode, and the enabled devices are the ones that don't share bus pins (see Figure 5) therefore, simultaneous transmission and reception is possible. Setting ON = DEN = 485/232 = Logic 0, and RXEN = Logic 1 selects this single transceiver mode (see Table 1, line 3).

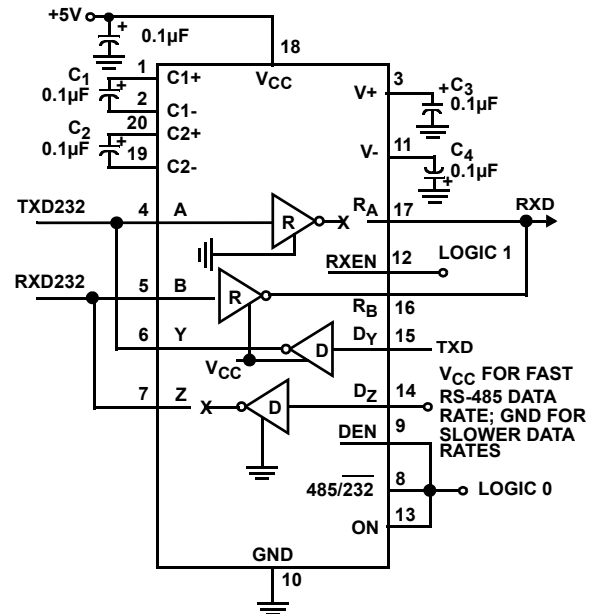


FIGURE 5. RS-232 CONNECTIONS WITH ISL81387 IN SINGLE TRANSCIEVER MODE AND EXTERNALLY CONNECTED FOR HALF DUPLEX

**TABLE 1. EXCERPT FROM THE ISL81387 FUNCTION TABLE IN THE ISL81387, ISL41387 DATA SHEET**

LINE NUMBER	INPUTS					RECEIVER OUTPUTS		DRIVER OUTPUTS		COMMENTS	MODE
	485/232	ON	RXEN	DEN	SLEW	R <sub>A</sub>	R <sub>B</sub>	Y	Z		
1	0	1	0	0	NA	High-Z	High-Z	High-Z	High-Z	Disabled Tx and Rx	RS-232
2	0	0	0	1	NA	High-Z	High-Z	ON	High-Z	Single Tx Mode	RS-232
3	0	0	1	0	NA	High-Z	ON	ON	High-Z	Single Transceiver Mode	RS-232
4	0	0	1	1	NA	ON	ON	ON	ON	Loopback w/ 2 Transceivers	RS-232
5	X	0	0	0	X	High-Z	High-Z	High-Z	High-Z	Shutdown Mode	Shutdown
6	1	X	0	1	1/0	High-Z	High-Z	ON	ON	Rx Disabled	RS-485
7	1	X	1	0	X	ON	High-Z	High-Z	High-Z	Tx Disabled	RS-485
8	1	1	1	1	1/0	ON	High-Z	ON	ON	Rx Enabled for Tx Echo	RS-485
9	1	0	1	1	1/0	ON	High-Z	ON	ON	RS-485 Loopback	RS-485

As with the RS-485 mode, the Tx input is DY (pin 15), so the TXD input connection is the same for both modes. However, unlike the RS-485 mode that uses RA to output the received data, the single transceiver RS-232 mode outputs received data on the RB output. The simple solution to this quandary is to connect RA and RB together, so the RX data is read from the proper output in either mode. This works because RB is disabled in RS-485 mode, while conversely RA is disabled in this single transceiver RS-232 mode, so the two Rx outputs are never enabled at the same time (see Table 1, lines 3 and 8). The unused DZ/SLEW pin should be connected to V<sub>CC</sub> or GND, depending on the slew rate required for the RS-485 data rate.

Note that in this RS-232 mode, DEN and RXEN no longer directly control the Tx and Rx enables. If DEN switches to a Logic 1, then both RS-232 Tx enable (see Table 1, line 4) in loopback mode, while changing RXEN to a Logic 0 sends the ISL81387, ISL41387 into the low power shutdown state (see Table 1 line 5).

If just an RS-232 Rx enable function is desired (i.e., Tx is always enabled), this can be accomplished by driving DEN high at the same time that RXEN is driven low (i.e., DEN is inverted from RXEN, see Table 1 line 2).

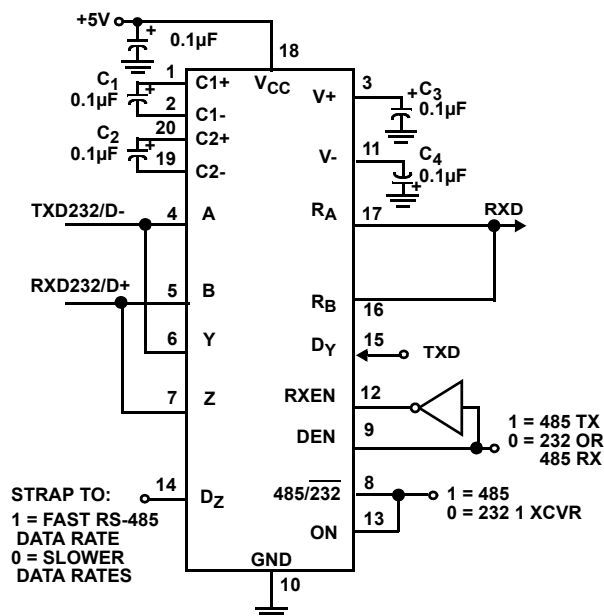
Single transceiver mode doesn't provide for separate control of the Tx enable, so if the RS-232 Tx must be disabled, the only way to accomplish this is to also disable the Rx. This can be accomplished by forcing the ISL81387, ISL41387 into SHDN (simply drive RXEN low, see Table 1 line 5), or by driving ON high while simultaneously driving RXEN and DEN low (see Table 1, line 1). Note that SHDN turns off the charge pumps, so the reenable times are longer than the enable times if just the Tx and Rx are disabled.

To switch to the standard RS-485 mode, simply drive the 485/232 and ON pins high (see Table 1, lines 6, 7, and 8). DEN and RXEN now control the enable states of the Tx and Rx as would be expected (see Table 1, lines 6 and 7).

### Simplified Connections

Figure 6 shows the simplest connections to achieve the three-pin, half duplex configuration. With these connections, the ISL81387, ISL41387 operates in one of only three modes: RS-232 single transceiver, RS-485 Transmit, RS-485 receive (lines 3, 6, and 7 in Table 1). If the RS-485 mode requires echo back during transmission (i.e., Rx always enabled), simply strap RXEN high, and the ISL81387, ISL41387 now operates in only two modes (lines 3 and 8 in Table 1).

The simplified configuration's main advantage is that the logic side interface requires only four I/O pins. If SHDN or loopback modes are needed, then more I/O pins must be dedicated to controlling the ISL81387, ISL41387.



**FIGURE 6. SIMPLEST CONNECTIONS FOR THREE PIN HALF DUPLEX DUAL PROTOCOL OPERATION**

### ***SHDN and Loopback Modes of Operation***

SHDN and loopback are useful modes of operation. SHDN puts the ISL81387, ISL41387 into their lowest power mode, while loopback routes the Tx outputs back through the Rx (i.e., returns TXD on RXD) to allow some level of I/O port self test capability. Unfortunately, the half duplex external connections preclude utilizing loopback in RS-232 mode.

Adding just the SHDN mode is easy for either protocol. The only change required to Figure 6 is to connect an I/O pin to RXEN, rather than inverting it from DEN. SHDN is invoked by driving ON, RXEN, and DEN low, as shown in Table 1, line 5.

Adding loopback to RS-485 mode requires one more I/O pin to independently drive the ON input (so a total of 6 I/O pins for two protocols with SHDN and RS-485 loopback). With the 485/232 pin high, driving ON low with DEN and RXEN high enables loopback (see Table 1, line 9).

### ***Advantages of Using the ISL41387***

Choosing the ISL41387, QFN version offers even more advantages, not the least of which is the small 6mmx6mm footprint. This version also offers an  $\overline{\text{RXEN}}$  pin, which is an active low version of the RXEN pin. When implementing the circuit in Figure 6, one simply connects  $\overline{\text{RXEN}}$  (QFN pin 17) and DEN together (with RXEN strapped to GND) to eliminate the external inverter. Another advantage is the built-in level shifter that is extremely useful if the logic ICs (UART, microcontroller, etc.) are powered by a supply voltage lower than the 5V supply of the ISL41387. Simply tying the ISL41387's  $V_L$  pin (QFN pin 31) to the lower supply voltage shifts the logic pin input thresholds and output voltages to values compatible with that lower supply voltage. A third, slower (115kbps) RS-485 speed option is also available on the ISL41387. This option uses even slower edge rates than the medium speed version, for EMI sensitive designs, or to allow longer bus lengths, or to minimize the risk of termination issues on slower data rate networks.

For more information on all of these special features, please refer to the ISL81387, ISL41387 data sheet.

## Notice

1. Descriptions of circuits, software and other related information in this document are provided only to illustrate the operation of semiconductor products and application examples. You are fully responsible for the incorporation or any other use of the circuits, software, and information in the design of your product or system. Renesas Electronics disclaims any and all liability for any losses and damages incurred by you or third parties arising from the use of these circuits, software, or information.
2. Renesas Electronics hereby expressly disclaims any warranties against and liability for infringement or any other claims involving patents, copyrights, or other intellectual property rights of third parties, by or arising from the use of Renesas Electronics products or technical information described in this document, including but not limited to, the product data, drawings, charts, programs, algorithms, and application examples.
3. No license, express, implied or otherwise, is granted hereby under any patents, copyrights or other intellectual property rights of Renesas Electronics or others.
4. You shall not alter, modify, copy, or reverse engineer any Renesas Electronics product, whether in whole or in part. Renesas Electronics disclaims any and all liability for any losses or damages incurred by you or third parties arising from such alteration, modification, copying or reverse engineering.
5. Renesas Electronics products are classified according to the following two quality grades: "Standard" and "High Quality". The intended applications for each Renesas Electronics product depends on the product's quality grade, as indicated below.  
"Standard": Computers; office equipment; communications equipment; test and measurement equipment; audio and visual equipment; home electronic appliances; machine tools; personal electronic equipment; industrial robots; etc.  
"High Quality": Transportation equipment (automobiles, trains, ships, etc.); traffic control (traffic lights); large-scale communication equipment; key financial terminal systems; safety control equipment; etc.  
Unless expressly designated as a high reliability product or a product for harsh environments in a Renesas Electronics data sheet or other Renesas Electronics document, Renesas Electronics products are not intended or authorized for use in products or systems that may pose a direct threat to human life or bodily injury (artificial life support devices or systems; surgical implantations; etc.), or may cause serious property damage (space system; undersea repeaters; nuclear power control systems; aircraft control systems; key plant systems; military equipment; etc.). Renesas Electronics disclaims any and all liability for any damages or losses incurred by you or any third parties arising from the use of any Renesas Electronics product that is inconsistent with any Renesas Electronics data sheet, user's manual or other Renesas Electronics document.
6. When using Renesas Electronics products, refer to the latest product information (data sheets, user's manuals, application notes, "General Notes for Handling and Using Semiconductor Devices" in the reliability handbook, etc.), and ensure that usage conditions are within the ranges specified by Renesas Electronics with respect to maximum ratings, operating power supply voltage range, heat dissipation characteristics, installation, etc. Renesas Electronics disclaims any and all liability for any malfunctions, failure or accident arising out of the use of Renesas Electronics products outside of such specified ranges.
7. Although Renesas Electronics endeavors to improve the quality and reliability of Renesas Electronics products, semiconductor products have specific characteristics, such as the occurrence of failure at a certain rate and malfunctions under certain use conditions. Unless designated as a high reliability product or a product for harsh environments in a Renesas Electronics data sheet or other Renesas Electronics document, Renesas Electronics products are not subject to radiation resistance design. You are responsible for implementing safety measures to guard against the possibility of bodily injury, injury or damage caused by fire, and/or danger to the public in the event of a failure or malfunction of Renesas Electronics products, such as safety design for hardware and software, including but not limited to redundancy, fire control and malfunction prevention, appropriate treatment for aging degradation or any other appropriate measures. Because the evaluation of microcomputer software alone is very difficult and impractical, you are responsible for evaluating the safety of the final products or systems manufactured by you.
8. Please contact a Renesas Electronics sales office for details as to environmental matters such as the environmental compatibility of each Renesas Electronics product. You are responsible for carefully and sufficiently investigating applicable laws and regulations that regulate the inclusion or use of controlled substances, including without limitation, the EU RoHS Directive, and using Renesas Electronics products in compliance with all these applicable laws and regulations. Renesas Electronics disclaims any and all liability for damages or losses occurring as a result of your noncompliance with applicable laws and regulations.
9. Renesas Electronics products and technologies shall not be used for or incorporated into any products or systems whose manufacture, use, or sale is prohibited under any applicable domestic or foreign laws or regulations. You shall comply with any applicable export control laws and regulations promulgated and administered by the governments of any countries asserting jurisdiction over the parties or transactions.
10. It is the responsibility of the buyer or distributor of Renesas Electronics products, or any other party who distributes, disposes of, or otherwise sells or transfers the product to a third party, to notify such third party in advance of the contents and conditions set forth in this document.
11. This document shall not be reprinted, reproduced or duplicated in any form, in whole or in part, without prior written consent of Renesas Electronics.
12. Please contact a Renesas Electronics sales office if you have any questions regarding the information contained in this document or Renesas Electronics products.  
(Note 1) "Renesas Electronics" as used in this document means Renesas Electronics Corporation and also includes its directly or indirectly controlled subsidiaries.  
(Note 2) "Renesas Electronics product(s)" means any product developed or manufactured by or for Renesas Electronics.

(Rev.4.0-1 November 2017)



### SALES OFFICES

Renesas Electronics Corporation

<http://www.renesas.com>

Refer to "<http://www.renesas.com/>" for the latest and detailed information.

**Renesas Electronics America Inc.**  
1001 Murphy Ranch Road, Milpitas, CA 95035, U.S.A.  
Tel: +1-408-432-8888, Fax: +1-408-434-5351

**Renesas Electronics Canada Limited**  
9251 Yonge Street, Suite 8309 Richmond Hill, Ontario Canada L4C 9T3  
Tel: +1-905-237-2004

**Renesas Electronics Europe Limited**  
Dukes Meadow, Millboard Road, Bourne End, Buckinghamshire, SL8 5FH, U.K  
Tel: +44-1628-651-700, Fax: +44-1628-651-804

**Renesas Electronics Europe GmbH**  
Arcadiastrasse 10, 40472 Düsseldorf, Germany  
Tel: +49-211-6503-0, Fax: +49-211-6503-1327

**Renesas Electronics (China) Co., Ltd.**  
Room 1709 Quantum Plaza, No.27 ZhichunLu, Haidian District, Beijing, 100191 P. R. China  
Tel: +86-10-8235-1155, Fax: +86-10-8235-7679

**Renesas Electronics (Shanghai) Co., Ltd.**  
Unit 301, Tower A, Central Towers, 555 Langao Road, Putuo District, Shanghai, 200333 P. R. China  
Tel: +86-21-2226-0888, Fax: +86-21-2226-0999

**Renesas Electronics Hong Kong Limited**  
Unit 1601-1611, 16/F., Tower 2, Grand Century Place, 193 Prince Edward Road West, Mongkok, Kowloon, Hong Kong  
Tel: +852-2265-6688, Fax: +852-2886-9022

**Renesas Electronics Taiwan Co., Ltd.**  
13F, No. 363, Fu Shing North Road, Taipei 10543, Taiwan  
Tel: +886-2-8175-9600, Fax: +886-2-8175-9670

**Renesas Electronics Singapore Pte. Ltd.**  
80 Bendemeer Road, Unit #06-02 Hyflux Innovation Centre, Singapore 339949  
Tel: +65-6213-0200, Fax: +65-6213-0300

**Renesas Electronics Malaysia Sdn.Bhd.**  
Unit 1207, Block B, Menara Amcorp, Amcorp Trade Centre, No. 18, Jln Persiaran Barat, 46050 Petaling Jaya, Selangor Darul Ehsan, Malaysia  
Tel: +60-3-7955-9390, Fax: +60-3-7955-9510

**Renesas Electronics India Pvt. Ltd.**  
No.777C, 100 Feet Road, HAL 2nd Stage, Indiranagar, Bangalore 560 038, India  
Tel: +91-80-67208700, Fax: +91-80-67208777

**Renesas Electronics Korea Co., Ltd.**  
17F, KAMCO Yangjae Tower, 262, Gangnam-daero, Gangnam-gu, Seoul, 06265 Korea  
Tel: +82-2-558-3737, Fax: +82-2-558-5338