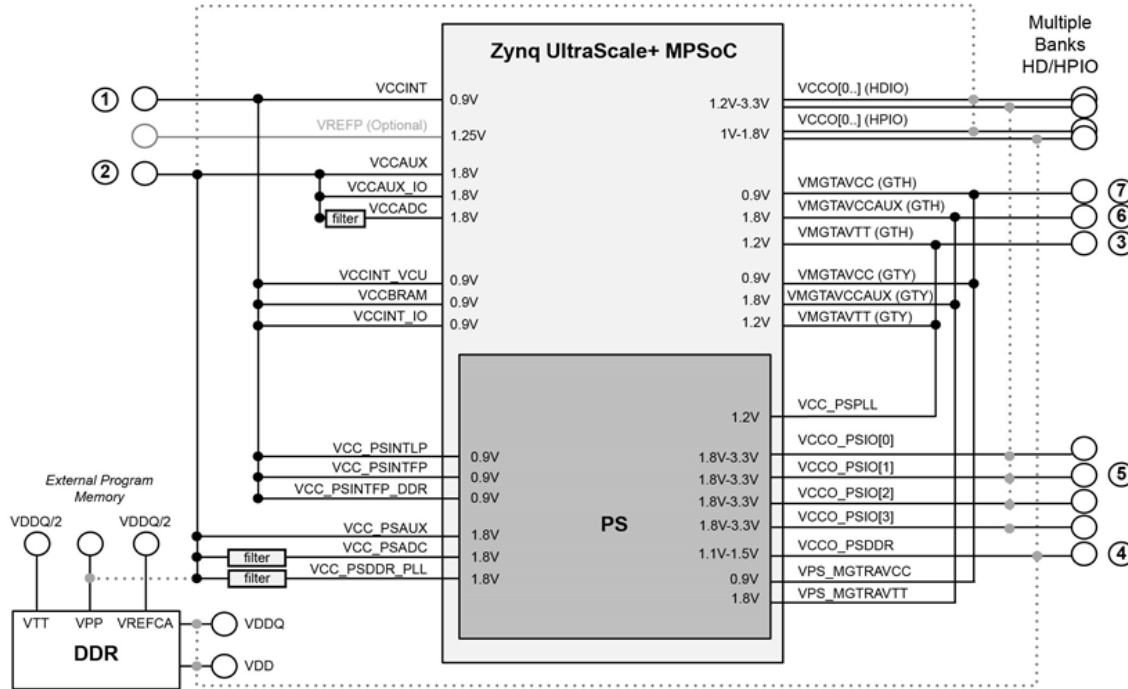


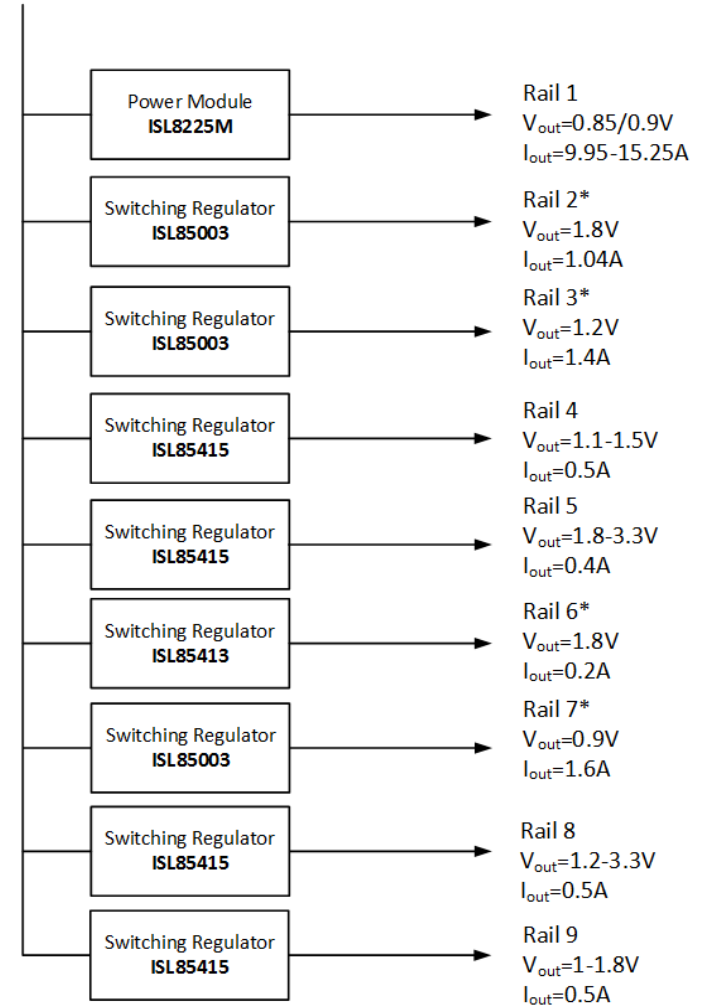
## USECASE 3 #2



© Copyright 2013-2017 Xilinx, Inc.  
All Rights Reserved.

Rail	Voltage	Power Supply Rails
Rail 1	0.85/0.9V	VCCINT, VCC_PSINTFP, VCC_PSINTLP, VCC_PSINTFP_DDR, VCCINT_VCU, VCCINT_IO, VCCBRAM
Rail 2*	1.8V*	VCC_PSAUX, VCCAUX, VCCAUX_IO, VCC_PSDDR_PLL, VCCADC, VCC_PSADC
Rail 3*	1.2V*	VMGTAVTT(GTH), VMGTAVTT(GTY), VCC_PSPLL
Rail 4	1.1-1.5V	VCCO_PSDDR
Rail 5	1.8-3.3V	VCCO_PSI0
Rail 6*	1.8V*	VMGTAVCCAUX(GTH), VMGTAVCCAUX(GTY), VPS_MGTRAVTT
Rail 7*	0.9V*	VMGTAVCC(GTH), VMGTAVCC(GTY), VPS_MGTRAVCC
Rail 8	1.2-3.3V	HDIO_VCCO
Rail 9	1-1.8V	HPIO_VCCO

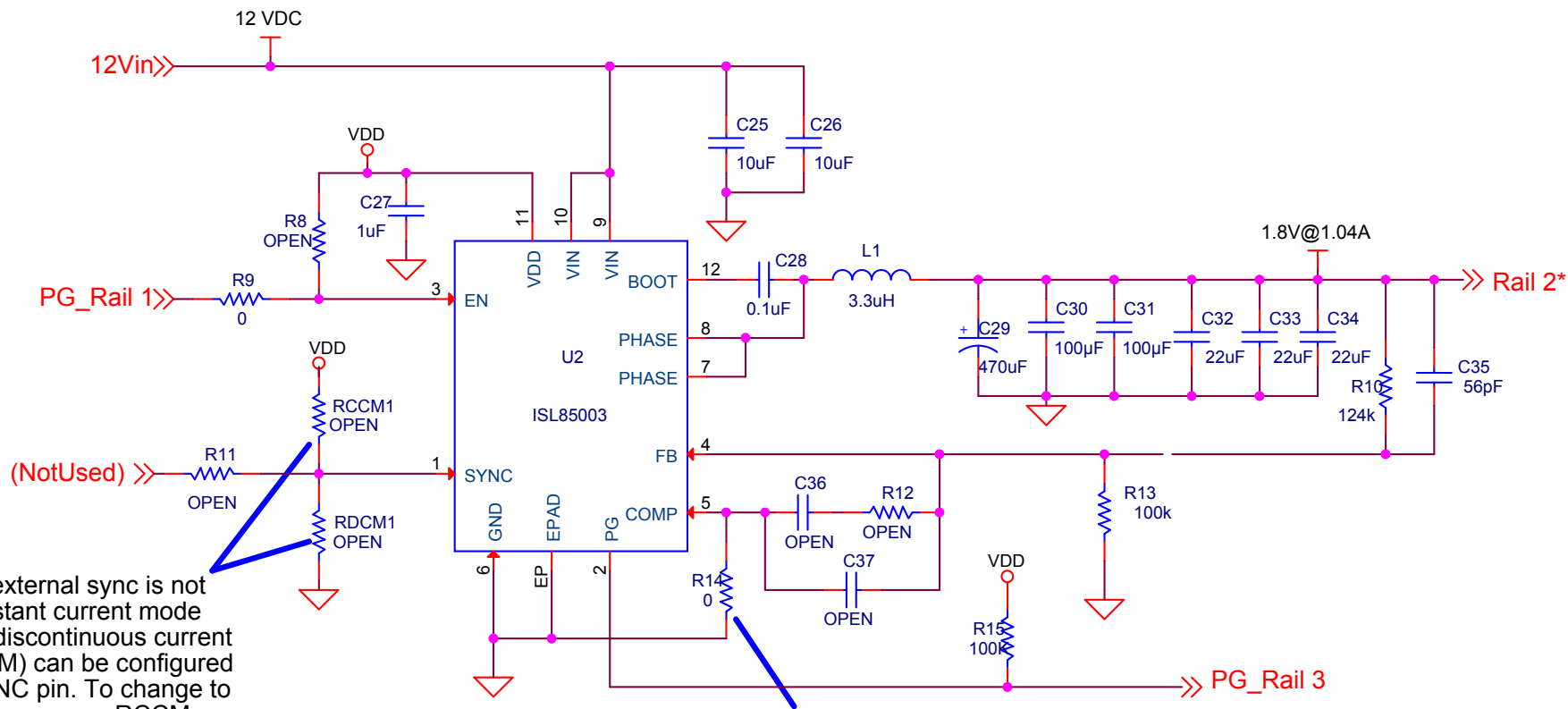
12 V<sub>in</sub>



<b>intersil</b>		
Title: ZYNQ US+ MPSoC Power Rails		
Size: B	Document Number: <Doc>	Rev: A
Date: Thursday, March 09, 2017	Sheet: 1	of 10



# ISL85003 SINGLE OUTPUT (3A)



When an external sync is not used, constant current mode (CCM) or discontinuous current mode (DCM) can be configured on the SYNC pin. To change to DCM mode, remove RCCM, and change RDCM to 0 ohms.

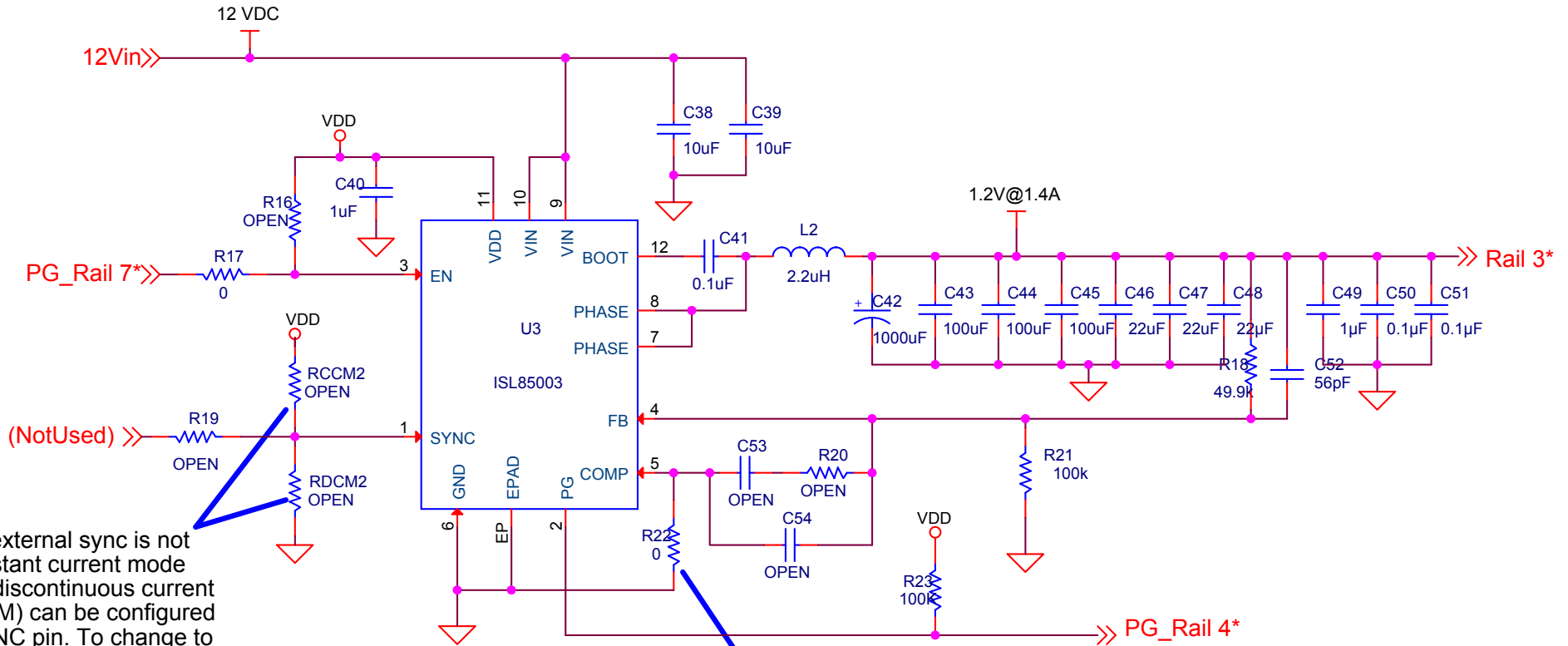
If custom compensation is desired, remove the ground connection on the COMP pin to enable external compensation.

OPEN value components on the COMP pin are place holders if external compensation is used.

Programmable Soft Start is available in the ISL85003A (without synchronization)

Title		
ISL85003-SINGLE-1		
Size	Document Number	Rev
A	<Doc>	<Rev Co
Date:	Thursday, March 09, 2017	Sheet 3 of 10

## ISL85003 SINGLE OUTPUT (3A)



When an external sync is not used, constant current mode (CCM) or discontinuous current mode (DCM) can be configured on the SYNC pin. To change to DCM mode, remove RCCM, and change RDCM to 0 ohms.

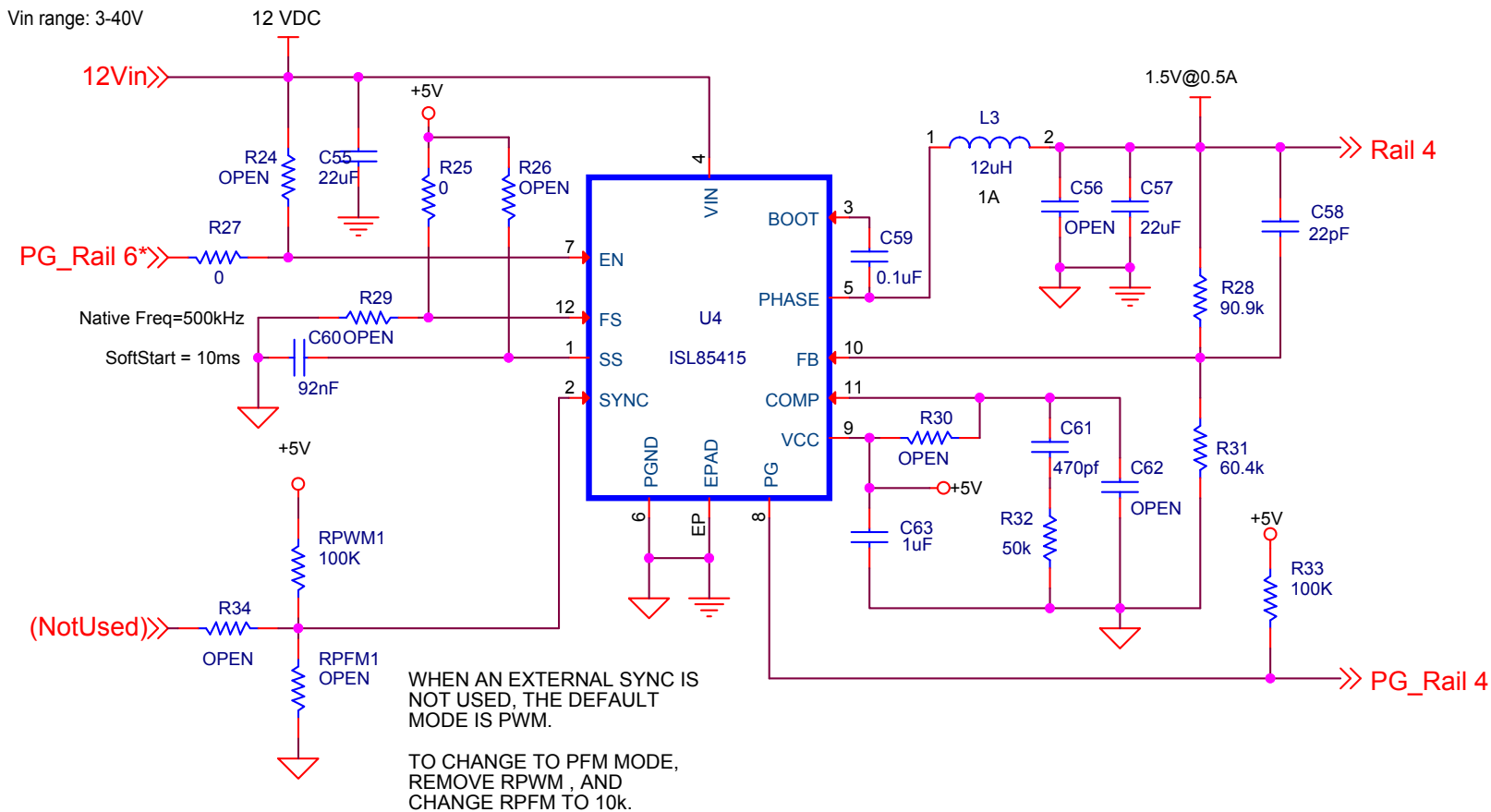
If custom compensation is desired, remove the ground connection on the COMP pin to enable external compensation.

OPEN value components on the COMP pin are place holders if external compensation is used.

Programmable Soft Start is available in the ISL85003A  
(without synchronization)

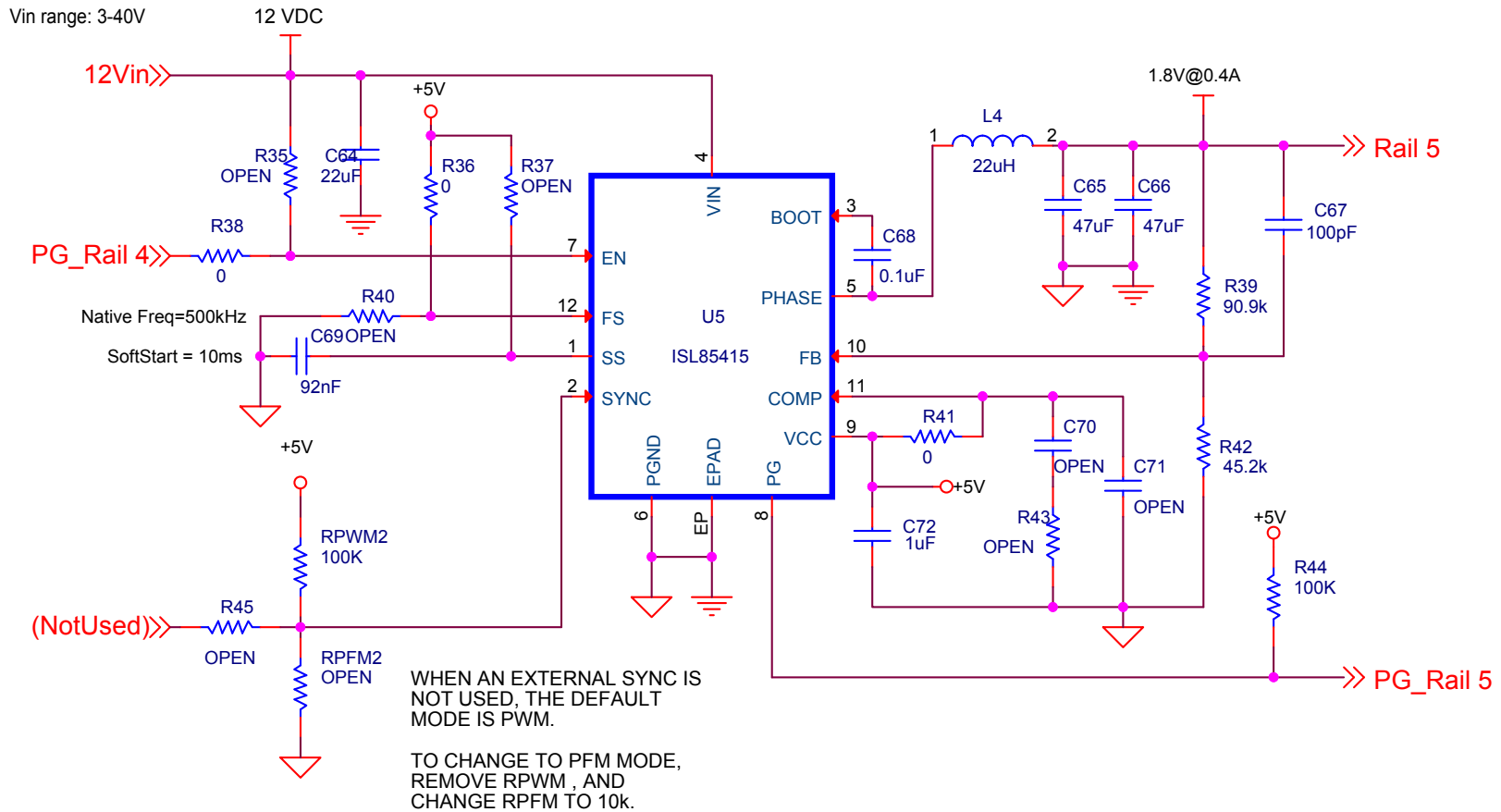
Title		
ISL85003-SINGLE-1		
Size	Document Number	Rev
A	<Doc>	<Rev Co
Date: Thursday, March 09, 2017		Sheet 4 of 10

# ISL85415 SINGLE OUTPUT (500mA)



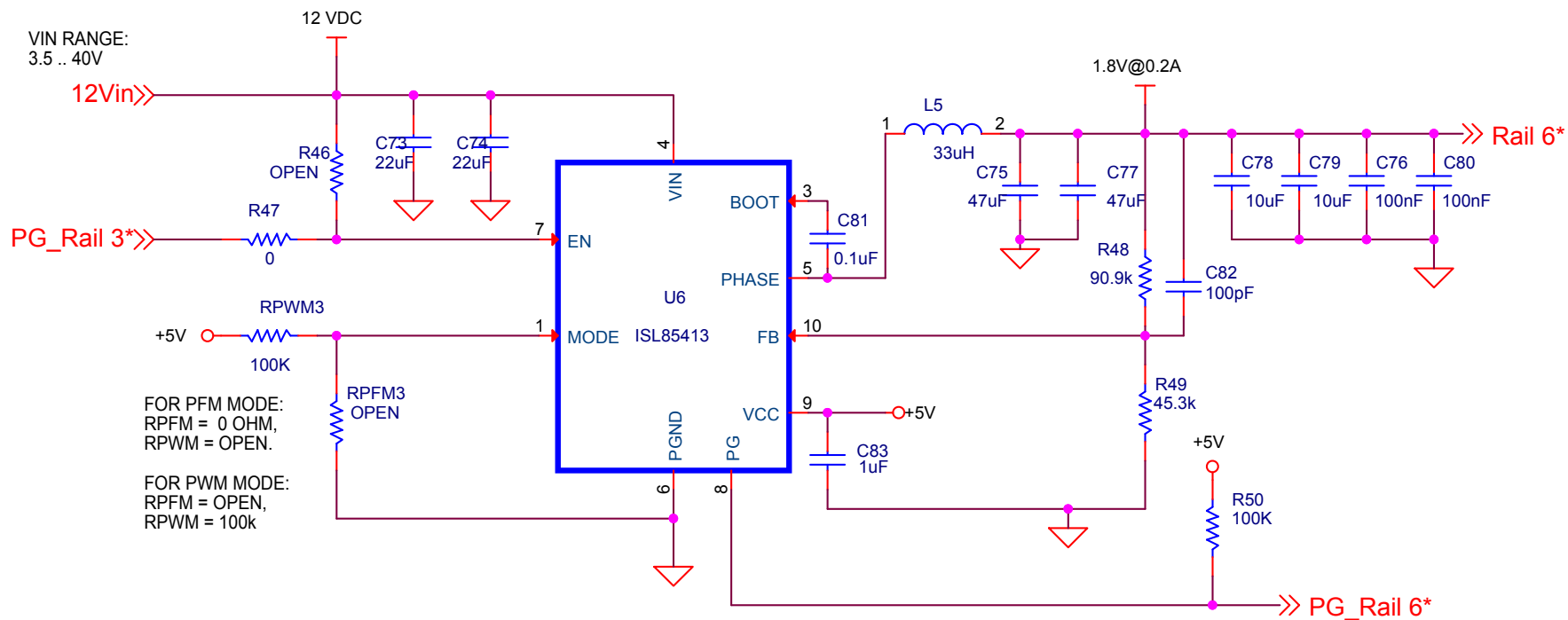
Title		
ISL85415-SINGLE-1		
Size A	Document Number	Rev
Date:	Thursday, March 09, 2017	Sheet 5 of 10

# ISL85415 SINGLE OUTPUT (500mA)



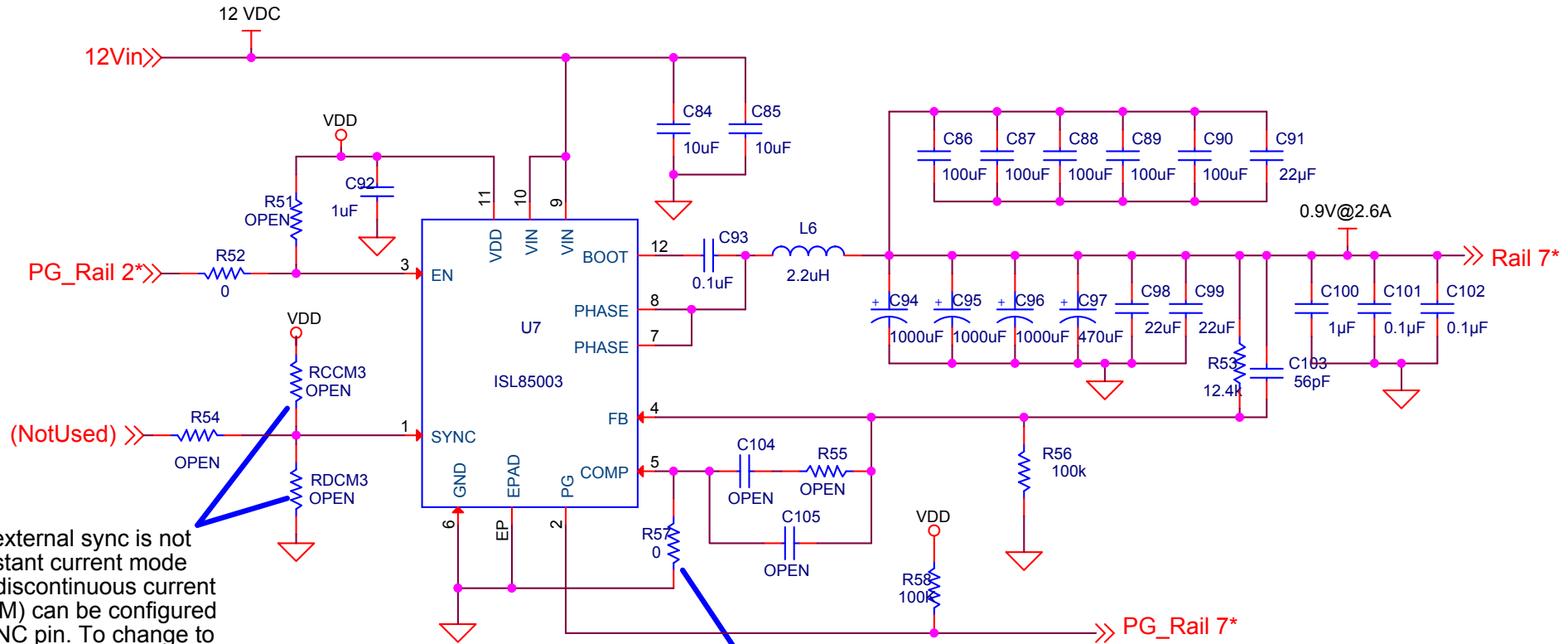
Title		
ISL85415-SINGLE-1		
Size A	Document Number	Rev
Date:	Thursday, March 09, 2017	Sheet 6 of 10

# ISL85413 SINGLE OUTPUT (300mA)



Title		
ISL85413-SINGLE-1		
Size	Document Number	Rev
A	<Doc>	
Date:	Thursday, March 09, 2017	Sheet 7 of 10

# ISL85003 SINGLE OUTPUT (3A)



When an external sync is not used, constant current mode (CCM) or discontinuous current mode (DCM) can be configured on the SYNC pin. To change to DCM mode, remove RCCM, and change RDCM to 0 ohms.

If custom compensation is desired, remove the ground connection on the COMP pin to enable external compensation.

OPEN value components on the COMP pin are place holders if external compensation is used.

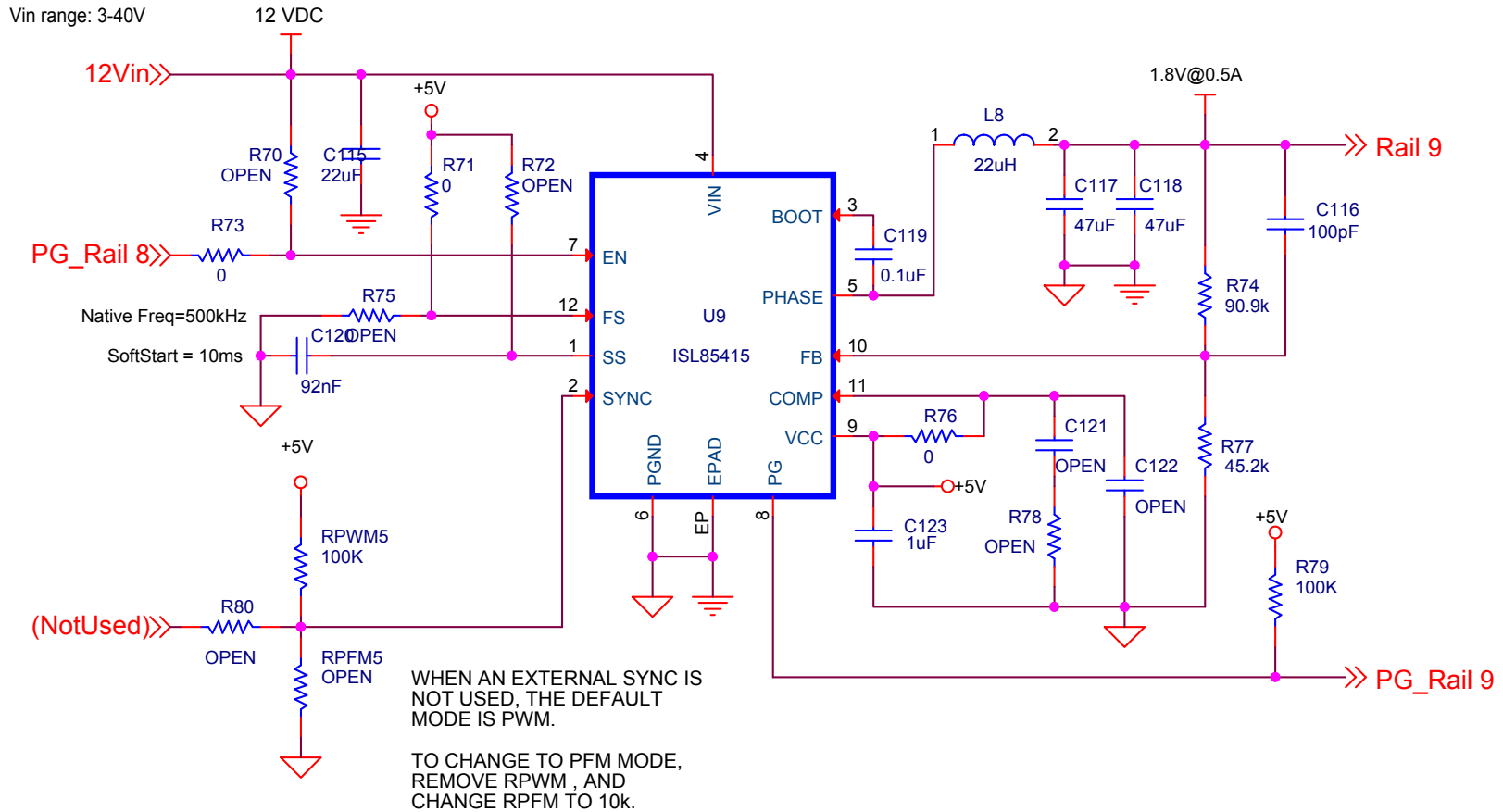
Programmable Soft Start is available in the ISL85003A (without synchronization)

Title		
ISL85003-SINGLE-1		
Size	Document Number	Rev
A	<Doc>	<Rev Co
Date:	Thursday, March 09, 2017	Sheet 8 of 10





# ISL85415 SINGLE OUTPUT (500mA)



Title		
ISL85415-SINGLE-1		
Size A	Document Number	Rev
Date:	Thursday, March 09, 2017	Sheet 10 of 10