

# Application Note

## Converting 8Ch PWM to Pulse Position Modulation

AN-CM-266

### Abstract

*This application note presents how to design a circuit for converting PWM signals to Pulse Position Modulation (PPM) signals using only a single GreenPAK IC.*

*This application note comes complete with design files which can be found in the References section.*

---

---

---



---

## Converting 8Ch PWM to Pulse Position Modulation

### Contents

Abstract .....	1
Contents .....	2
Figures.....	2
1 Terms and Definitions.....	3
2 References .....	3
3 Introduction.....	4
4 Input and Output Signals.....	4
5 GreenPAK Design .....	5
6 PCB Design.....	6
7 Results.....	7
8 Conclusions .....	8
Revision History .....	9

### Figures

Figure 1: Timing Diagram: Converter Signals .....	4
Figure 2: GreenPAK Design .....	5
Figure 3: Sequence of Operations .....	6
Figure 4: Prototype PCB and Test Board.....	6
Figure 5: PPM Converter Functionality for 8 Channels of PWM Signals .....	7
Figure 6: PPM Converter Functionality for 4 Channels of PWM Signals .....	7

---

---

## Converting 8Ch PWM to Pulse Position Modulation

### 1 Terms and Definitions

Ch	Channel
IC	Integrated Circuit
PPM	Pulse Position Modulation
PWM	Pulse Width Modulation
RC models	Radio Control models
Etc.	

### 2 References

For related documents and software, please visit:

[GreenPAK™ Programmable Mixed-Signal Products | Renesas](#)

Download our free [GreenPAK™ Designer](#) software [1] to open the .gp files [2] and view the proposed circuit design. Use the [GreenPAK development tools](#) [3] to freeze the design into your own customized IC in a matter of minutes. Find out more in complete library of application notes [4] featuring design examples as well as explanations of features and blocks within the GreenPAK IC.

- [1] [GreenPAK Designer Software](#), Software Download and User Guide
- [2] [AN-CM-266 Converting 8Ch PWM to Pulse Position Modulation.gp](#), [GreenPAK Design File](#)
- [3] [GreenPAK Development Tools](#), [GreenPAK Development Tools Webpage](#)
- [4] [GreenPAK Application Notes](#), [GreenPAK Application Notes Webpage](#)

Author: Volodymyr Ilchuk

## Converting 8Ch PWM to Pulse Position Modulation

### 3 Introduction

We will review 2 output signal formats of radio Receivers for radio-controlled models (or RC models). The traditional and most common type of Receiver signal is PWM, and usually PWM requires only one wire per channel. PPM signaling is now getting more and more popular because it can handle all channels on a single wire. So, sometimes there is a need to convert PWM signaling to PPM. The goal of this application note is to design a circuit that can convert 8Ch PWM signals to PPM.

### 4 Input and Output Signals

Figure 1 shows the input and output signals used in this app note. The PWM signals (one for each channel) are output one by one by the Receiver and the duty cycle information represents the users desired position by the Transmitter. In contrast, the PPM signal contains the duty cycle information of all the PWM channels. In both cases, the value of each channel is represented in a standardized way. The interpreted width of a 1 mS positive pulse represents 0 % position, and 2 mS represents 100%.

In PPM signaling, the values of each channel are represented by the delay between rising edges of positive pulses each having 400 uS fixed width.

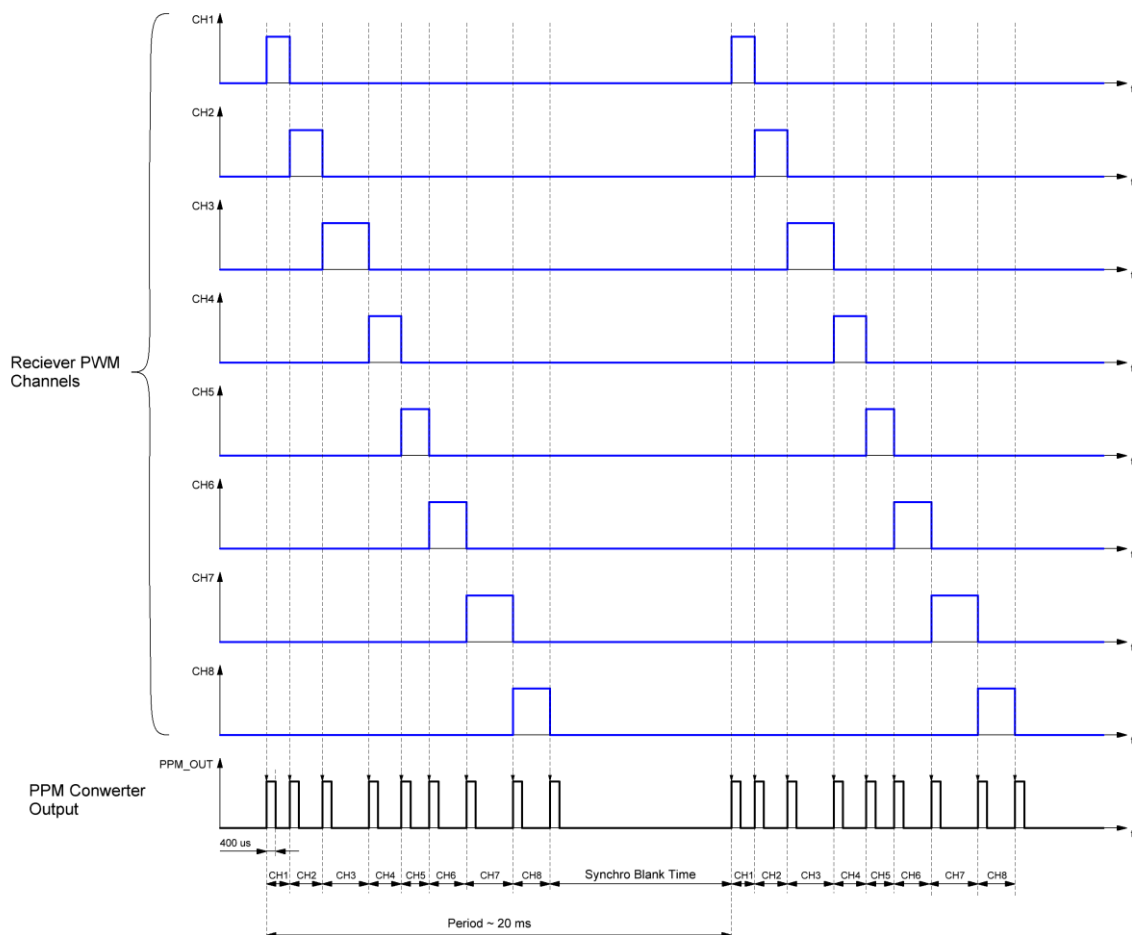


Figure 1: Timing Diagram: Converter Signals

## Converting 8Ch PWM to Pulse Position Modulation

### 5 GreenPAK Design

The design approach is to detect the Rising and Falling Edges of each PWM channel, generate PPM pulses from each edge, and then combine them into one PPM channel. For this the GreenPAK design uses DLY3 Both Edge Detector, P DLY Both Edge Detector and LUTs, Both Edge Detector structure with Buffer and XOR LUT, as shown in Figure 2. Further, Both Edge pulses go to an 8-bit OR structure that consists of 3-bit LUTs 7,5 and 4-bit LUT0 configured as OR gates. At the 4-bit LUT0 output, all Edge Pulses are combined and then sent to a rising edge triggered one-shot structure that consists of a Pipe Delay and 400 us DLY0 to generate the PPM signal. Also, each input PIN has an internal 100k Ohm pull down resistor for noise stability if some inputs are not used.

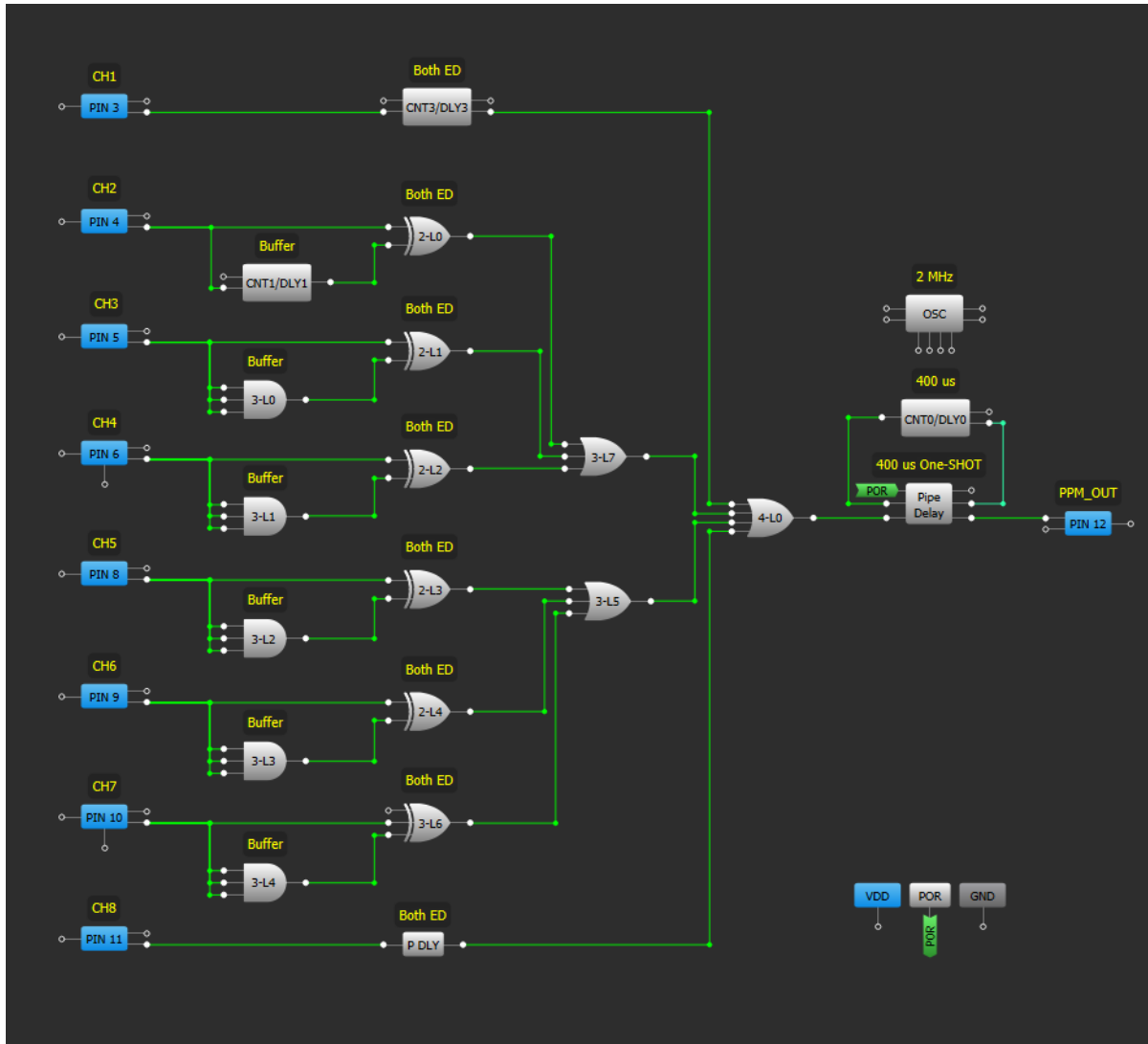
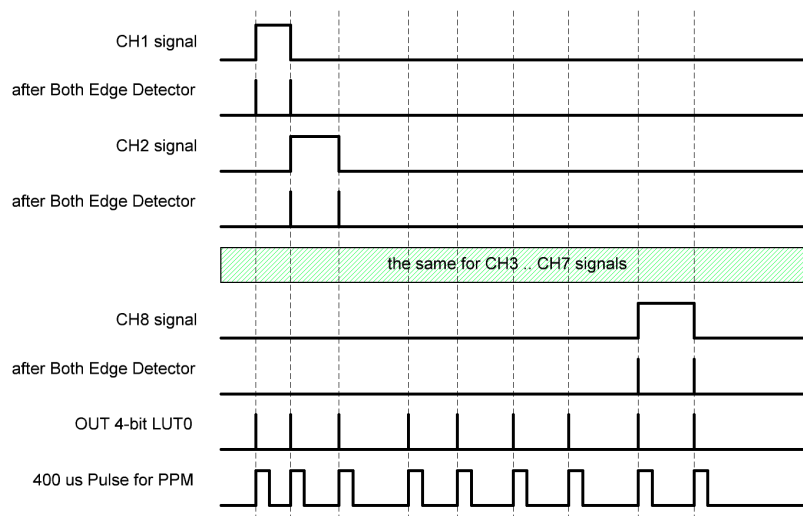


Figure 2: GreenPAK Design

## Converting 8Ch PWM to Pulse Position Modulation

The sequence of these operations is clearly presented in [Figure 3](#). It represents 8 PWM to 1 PPM channels conversion.



**Figure 3: Sequence of Operations**

## 6 PCB Design

The functional prototype of this design with RC Transmitter & Receiver is shown in [Figure 4](#).



**Figure 4: Prototype PCB and Test Board**

## Converting 8Ch PWM to Pulse Position Modulation

## 7 Results

In Figure 5 waveforms, the signals/channels legend is: D1 = CH1, .... D8 = CH8 accordingly, and Channel 1 (blue) = PPM Converter output. Figure 5 shows 8 channels of PWM signals converted to one channel of PPM signal.

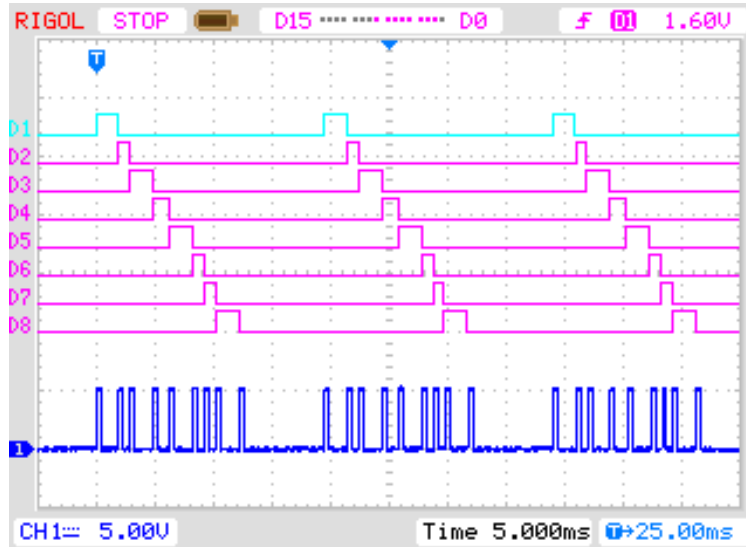


Figure 5: PPM Converter Functionality for 8 Channels of PWM Signals

Also, this PPM Converter can process less than 8 channels of PWM signals. For example, Figure 6 shows 4 channels of PWM signals converted to one channel of PPM signal.

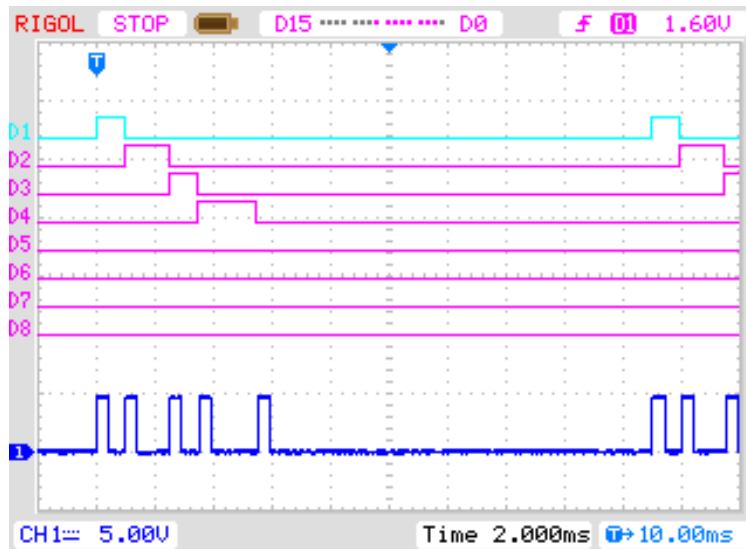


Figure 6: PPM Converter Functionality for 4 Channels of PWM Signals

---

---

## Converting 8Ch PWM to Pulse Position Modulation

### 8 Conclusions

In this application note we designed, built, and verified a circuit for converting PWM signals to Pulse Position Modulation (PPM) signals using only a single **GreenPAK** IC. It can process anywhere from one to eight PWM channels. Major advantages of using **GreenPAK** are availability of on-chip circuit blocks, very small physical area, low power, and low cost. Other functionality or integration can be configured into the same IC by using leftover available circuit blocks, thereby reducing product size and cost even further.

This app note shows how to create an 8 Channel PWM signals to PPM signal Converter using only one **GreenPAK** IC. Detection of Rising and Falling Edges of each PWM channel signal and their "merger" allowed to get PPM signal. A single **GreenPAK** IC Converter can process anywhere from one to eight PWM channels.



---

---

## Converting 8Ch PWM to Pulse Position Modulation

### Revision History

Revision	Date	Description
1.0	10-Jan-2019	Initial Version

## IMPORTANT NOTICE AND DISCLAIMER

RENESAS ELECTRONICS CORPORATION AND ITS SUBSIDIARIES (“RENESAS”) PROVIDES TECHNICAL SPECIFICATIONS AND RELIABILITY DATA (INCLUDING DATASHEETS), DESIGN RESOURCES (INCLUDING REFERENCE DESIGNS), APPLICATION OR OTHER DESIGN ADVICE, WEB TOOLS, SAFETY INFORMATION, AND OTHER RESOURCES “AS IS” AND WITH ALL FAULTS, AND DISCLAIMS ALL WARRANTIES, EXPRESS OR IMPLIED, INCLUDING, WITHOUT LIMITATION, ANY IMPLIED WARRANTIES OF MERCHANTABILITY, FITNESS FOR A PARTICULAR PURPOSE, OR NON-INFRINGEMENT OF THIRD-PARTY INTELLECTUAL PROPERTY RIGHTS.

These resources are intended for developers who are designing with Renesas products. You are solely responsible for (1) selecting the appropriate products for your application, (2) designing, validating, and testing your application, and (3) ensuring your application meets applicable standards, and any other safety, security, or other requirements. These resources are subject to change without notice. Renesas grants you permission to use these resources only to develop an application that uses Renesas products. Other reproduction or use of these resources is strictly prohibited. No license is granted to any other Renesas intellectual property or to any third-party intellectual property. Renesas disclaims responsibility for, and you will fully indemnify Renesas and its representatives against, any claims, damages, costs, losses, or liabilities arising from your use of these resources. Renesas' products are provided only subject to Renesas' Terms and Conditions of Sale or other applicable terms agreed to in writing. No use of any Renesas resources expands or otherwise alters any applicable warranties or warranty disclaimers for these products.

(Disclaimer Rev.1.01 Jan 2024)

### Corporate Headquarters

TOYOSU FORESIA, 3-2-24 Toyosu,  
Koto-ku, Tokyo 135-0061, Japan  
[www.renesas.com](http://www.renesas.com)

### Trademarks

Renesas and the Renesas logo are trademarks of Renesas Electronics Corporation. All trademarks and registered trademarks are the property of their respective owners.

### Contact Information

For further information on a product, technology, the most up-to-date version of a document, or your nearest sales office, please visit [www.renesas.com/contact-us/](http://www.renesas.com/contact-us/).