

The medical industry is keeping pace with other major markets in terms of integration. Single units such as blood pressure cuffs, ECGs and oxygen sensors have successfully entered consumer markets, but there is increasing interest in patient monitors, which encompass all of those monitoring abilities and more.

The medical market is generally grouped into three major subcategories: home, clinical and imaging. Home medical is predominately lower cost, portable equipment that has lower performance requirements. Clinical and hospital grade equipment is generally higher performance and therefore more expensive. Imaging systems are generally very large mainframe bases systems, with the exception of ultrasound, that is rapidly expanding into portable and cart-based systems.

Fundamentally, most of these systems are analog sensor measurement systems, but applied to biometric functions, such as blood pressure, body temperature or heart rate. These biometric sensors are designed to measure physical events, such as temperature, pressure, light and flow. After measurement, the system converts them into a corresponding voltage or current. The signal is then conditioned and digitized for processing and analysis. On the control side, the signal is converted back to a current or voltage and applied to an actuator to control such things as air flow, oxygen or temperature.

A typical high end patient monitor system has 5 basic subsystems: ECG, pulse oximetry, blood pressure, body temperature and respiration. Typically the most critical components in each system are the sensor circuits.

Each module uses a different sensor and signal conditioning circuit. For example, the ECG uses electrodes to measure the electric pulse from the heart. The pulse oximetry (SpO2) uses a light-emitting diode and light sensor to measure oxygen content. Blood pressure is typically measured using a

piezo-resistive pressure transducer. For simplicity, several of these biometric modules may utilize common digital, power and IO subsystems.

Blood Pressure

In blood pressure biometric modules, the most critical function is the pressure sensor circuit. Here precision amplifiers are used to detect very small signals from the transducer and amplify them to a level suitable for ADC processing. This is typically followed by an active filter to limited unwanted noise at higher frequencies. Amplifiers with low noise, low drift and high gain are necessary to minimize measurement errors and ensure accurate readings. See Figure 2 for a system block diagram.

Most commonly used piezo-resistive silicon pressure sensor in medical applications is the Wheatstone bridge. The pressure sensing element combines resistors and an etched diaphragm structure to provide an electrical signal that changes with pressure. As the diaphragm moves under pressure, stress is concentrated in specific areas of the silicon element. The result is a small voltage that changes proportional to the pressure applied to the diaphragm. This bridge signal is then amplified using precision op amps prior to ADC conversion.

Key questions to ask when recommending an amplifier are- what is the required accuracy and what are the required voltages? Hospital grade equipment has different requirements than portable home based systems while pressure sensors have varying sensitivities and voltage requirements. The amplifier will generally be selected to match the requirement of the sensor. The ISL28127 and ISL28217 are excellent op amps for $\pm 5V$ pressure sensor amp gain frontends due to their low noise and low DC offset and drift.

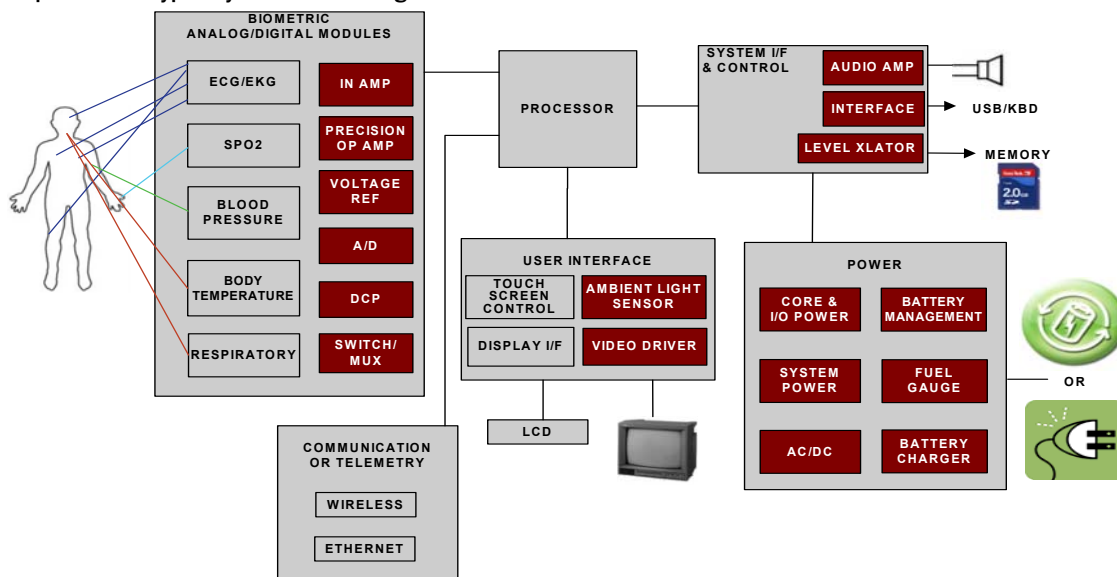


FIGURE 1. BLOCK DIAGRAM OF A PATIENT MONITOR

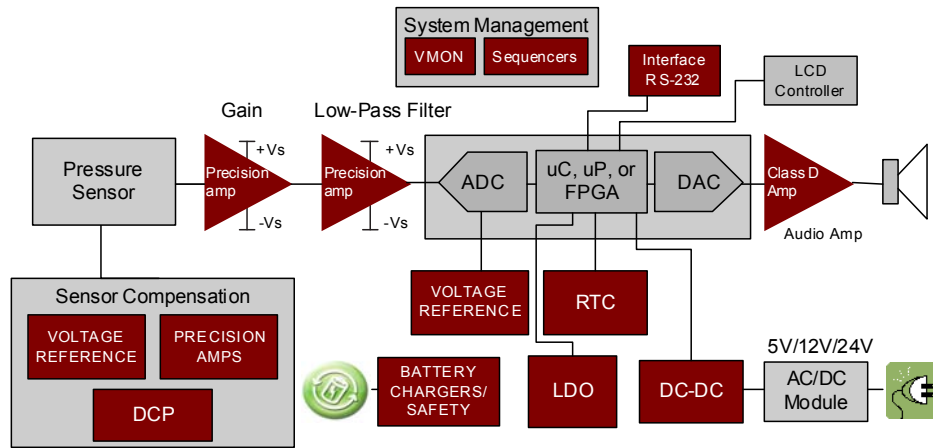


FIGURE 2. BLOCK DIAGRAM OF A BLOOD PRESSURE SYSTEM

DIAGNOSTIC ECG MULTI-LEAD (e.g. 12-lead) [1 of n* channels shown below]

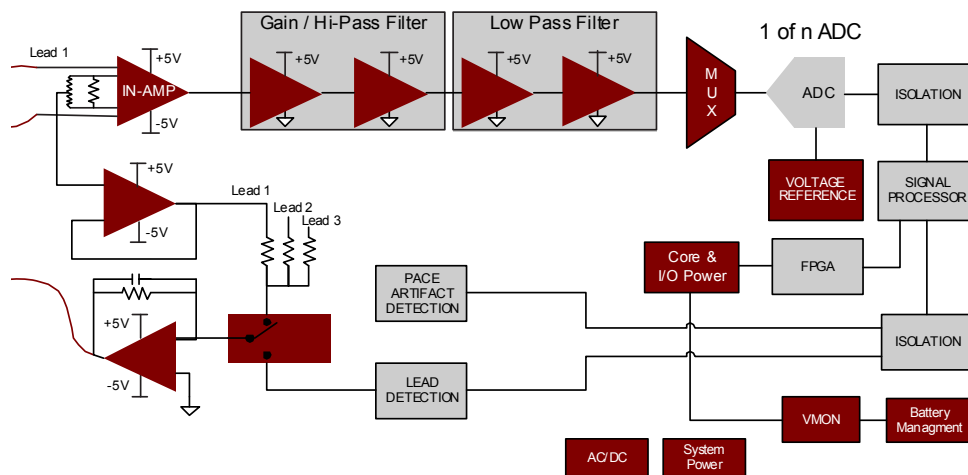


FIGURE 3. BLOCK DIAGRAM OF AN ECG SYSTEM

Electrocardiogram (ECG)

There are several precision amplifier and instrumentation amplifier opportunities in ECG applications. Shown in Figure 3 is a diagnostic (or clinical) ECG with up to 12-leads. Key blocks for lead devices are the electrode gain amplifier, high pass filter (usually 0.5Hz), low pass filter (around 150Hz) and right leg drive feedback circuit. For ECG, each electrode requires a precision instrumentation amp to extract a very small signal that rides on a 300-700mV common mode voltage. Typically, this amplifier will use a higher supply voltage to enable a high gain without raiiling the amplifier in the presence of the high common mode voltage from the body. This can be a discrete instrumentation amp or an integrated instrumentation amplifier. Second and third stage active filter amplifiers are needed to set a very specific band (0.5Hz - 150Hz) to capture the ECG QRS wave signal. Typically, these will be low noise 5V amplifiers with good bandwidth. In

addition, low noise, low power amplifiers are needed for the right leg drive feedback function.

In multi-channel systems, such as a 12-lead ECG monitor, it is common to multiplex signals into a common ADC. The key requirements for the multiplexer (mux) are typically low on-resistance and low charge injection. Generally a specific mux is selected to match the voltage requirements of the filter amplifiers and the ADC. It is also common for multichannel ECGs to have automated lead detection to enable multi-configuration operations. Generally, a low on-resistance switch is used in this circuit as well.

Multiplexers like the ISL43681 and ISL43640 are excellent choices for medical devices as they can operate from 2V to 12V. In addition, they have low on-resistance of 39Ω to 60Ω, which lowers distortion and reduces kick-back voltage from the ADC. Their low charge injection of 0.3pC to 2pC reduces error

contribution on charge redistribution ADCs. They are also low power and available in the very small QFN package.

For 3-lead portable ECG applications, low power instrumentation amps from a CMOS process may be a better selection. Since CMOS inputs naturally provide a high impedance input, the need for external buffers is eliminated, saving cost. A good choice for the input amplifier can deliver active feedback with a very precise base line compensation voltage, low $1/f$ noise, extremely low offset and low drift versus temperature.

Pulse Oximetry (SpO₂)

Oxygen is carried in the blood in hemoglobin and is one of the key vital signs needing detection. Pulse oximetry takes advantage of the fact the blood absorbs certain wavelengths of light differently when it is oxygenated than when it is oxygen deprived.

The wavelength that marks the difference in absorption to identify oxygen concentration is approximately 805nm for adult hemoglobin. Therefore, we will use two other wavelengths-one above and one below to calculate the percentage of oxygenated red blood cells. Usually 660nm and 940nm are used. A high impedance, low bias current op amp is needed to process the photodiodes that receive the signal at these wavelengths. The

ADC also needs to have the fast throughput of a 16-bit device. The DC and background noise is subtracted out, and the pulsed signals are then scaled. Extensive over-sampling, filtering and signal processing are needed to eliminate noise, such as movement artifacts from the small signals, as well as allowing for the pulse rate to be measured.

Conclusion

The medical market has developed enough to support the needs of a wide range of amplifiers, multiplexers, converters, references, interface products and power supply products. The portable instruments need lowest power and meticulous battery management above and beyond the stringent noise and gain requirements. The non-portable instruments need reliable isolation and patient protection in addition to their precise measurement capability.

It is difficult, if not impossible, to offer the best solution for all situations. Every trade-off of power consumption, available supplies, required resolution, portability, noise and more will play into the selection of the key components. Understanding the implications of device choice will ensure that your system safely delivers quality for the lifetime of the system.

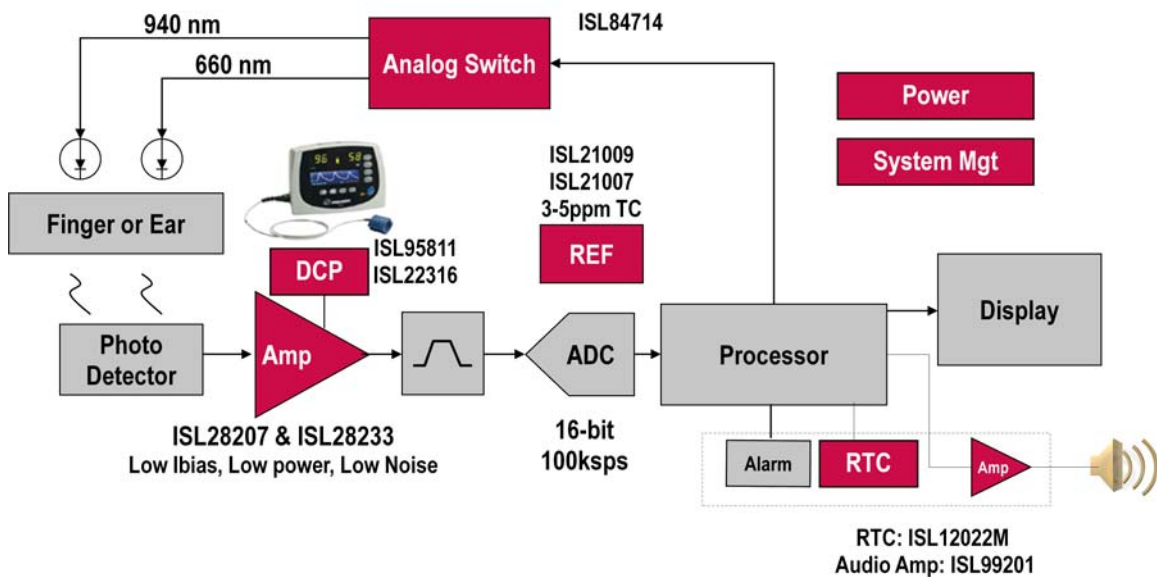


FIGURE 4. BLOCK DIAGRAM FOR PULSE OXIMETRY SYSTEM

Notice

1. Descriptions of circuits, software and other related information in this document are provided only to illustrate the operation of semiconductor products and application examples. You are fully responsible for the incorporation or any other use of the circuits, software, and information in the design of your product or system. Renesas Electronics disclaims any and all liability for any losses and damages incurred by you or third parties arising from the use of these circuits, software, or information.
2. Renesas Electronics hereby expressly disclaims any warranties against and liability for infringement or any other claims involving patents, copyrights, or other intellectual property rights of third parties, by or arising from the use of Renesas Electronics products or technical information described in this document, including but not limited to, the product data, drawings, charts, programs, algorithms, and application examples.
3. No license, express, implied or otherwise, is granted hereby under any patents, copyrights or other intellectual property rights of Renesas Electronics or others.
4. You shall not alter, modify, copy, or reverse engineer any Renesas Electronics product, whether in whole or in part. Renesas Electronics disclaims any and all liability for any losses or damages incurred by you or third parties arising from such alteration, modification, copying or reverse engineering.
5. Renesas Electronics products are classified according to the following two quality grades: "Standard" and "High Quality". The intended applications for each Renesas Electronics product depends on the product's quality grade, as indicated below.
"Standard": Computers; office equipment; communications equipment; test and measurement equipment; audio and visual equipment; home electronic appliances; machine tools; personal electronic equipment; industrial robots; etc.
"High Quality": Transportation equipment (automobiles, trains, ships, etc.); traffic control (traffic lights); large-scale communication equipment; key financial terminal systems; safety control equipment; etc.
Unless expressly designated as a high reliability product or a product for harsh environments in a Renesas Electronics data sheet or other Renesas Electronics document, Renesas Electronics products are not intended or authorized for use in products or systems that may pose a direct threat to human life or bodily injury (artificial life support devices or systems; surgical implantations; etc.), or may cause serious property damage (space system; undersea repeaters; nuclear power control systems; aircraft control systems; key plant systems; military equipment; etc.). Renesas Electronics disclaims any and all liability for any damages or losses incurred by you or any third parties arising from the use of any Renesas Electronics product that is inconsistent with any Renesas Electronics data sheet, user's manual or other Renesas Electronics document.
6. When using Renesas Electronics products, refer to the latest product information (data sheets, user's manuals, application notes, "General Notes for Handling and Using Semiconductor Devices" in the reliability handbook, etc.), and ensure that usage conditions are within the ranges specified by Renesas Electronics with respect to maximum ratings, operating power supply voltage range, heat dissipation characteristics, installation, etc. Renesas Electronics disclaims any and all liability for any malfunctions, failure or accident arising out of the use of Renesas Electronics products outside of such specified ranges.
7. Although Renesas Electronics endeavors to improve the quality and reliability of Renesas Electronics products, semiconductor products have specific characteristics, such as the occurrence of failure at a certain rate and malfunctions under certain use conditions. Unless designated as a high reliability product or a product for harsh environments in a Renesas Electronics data sheet or other Renesas Electronics document, Renesas Electronics products are not subject to radiation resistance design. You are responsible for implementing safety measures to guard against the possibility of bodily injury, injury or damage caused by fire, and/or danger to the public in the event of a failure or malfunction of Renesas Electronics products, such as safety design for hardware and software, including but not limited to redundancy, fire control and malfunction prevention, appropriate treatment for aging degradation or any other appropriate measures. Because the evaluation of microcomputer software alone is very difficult and impractical, you are responsible for evaluating the safety of the final products or systems manufactured by you.
8. Please contact a Renesas Electronics sales office for details as to environmental matters such as the environmental compatibility of each Renesas Electronics product. You are responsible for carefully and sufficiently investigating applicable laws and regulations that regulate the inclusion or use of controlled substances, including without limitation, the EU RoHS Directive, and using Renesas Electronics products in compliance with all these applicable laws and regulations. Renesas Electronics disclaims any and all liability for damages or losses occurring as a result of your noncompliance with applicable laws and regulations.
9. Renesas Electronics products and technologies shall not be used for or incorporated into any products or systems whose manufacture, use, or sale is prohibited under any applicable domestic or foreign laws or regulations. You shall comply with any applicable export control laws and regulations promulgated and administered by the governments of any countries asserting jurisdiction over the parties or transactions.
10. It is the responsibility of the buyer or distributor of Renesas Electronics products, or any other party who distributes, disposes of, or otherwise sells or transfers the product to a third party, to notify such third party in advance of the contents and conditions set forth in this document.
11. This document shall not be reprinted, reproduced or duplicated in any form, in whole or in part, without prior written consent of Renesas Electronics.
12. Please contact a Renesas Electronics sales office if you have any questions regarding the information contained in this document or Renesas Electronics products.
(Note 1) "Renesas Electronics" as used in this document means Renesas Electronics Corporation and also includes its directly or indirectly controlled subsidiaries.
(Note 2) "Renesas Electronics product(s)" means any product developed or manufactured by or for Renesas Electronics.

(Rev.4.0-1 November 2017)



SALES OFFICES

Renesas Electronics Corporation

<http://www.renesas.com>

Refer to "<http://www.renesas.com/>" for the latest and detailed information.

Renesas Electronics America Inc.
1001 Murphy Ranch Road, Milpitas, CA 95035, U.S.A.
Tel: +1-408-432-8888, Fax: +1-408-434-5351

Renesas Electronics Canada Limited
9251 Yonge Street, Suite 8309 Richmond Hill, Ontario Canada L4C 9T3
Tel: +1-905-237-2004

Renesas Electronics Europe Limited
Dukes Meadow, Millboard Road, Bourne End, Buckinghamshire, SL8 5FH, U.K
Tel: +44-1628-651-700, Fax: +44-1628-651-804

Renesas Electronics Europe GmbH
Arcadiastrasse 10, 40472 Düsseldorf, Germany
Tel: +49-211-6503-0, Fax: +49-211-6503-1327

Renesas Electronics (China) Co., Ltd.
Room 1709 Quantum Plaza, No.27 ZhichunLu, Haidian District, Beijing, 100191 P. R. China
Tel: +86-10-8235-1155, Fax: +86-10-8235-7679

Renesas Electronics (Shanghai) Co., Ltd.
Unit 301, Tower A, Central Towers, 555 Langao Road, Putuo District, Shanghai, 200333 P. R. China
Tel: +86-21-2226-0888, Fax: +86-21-2226-0999

Renesas Electronics Hong Kong Limited
Unit 1601-1611, 16/F., Tower 2, Grand Century Place, 193 Prince Edward Road West, Mongkok, Kowloon, Hong Kong
Tel: +852-2265-6688, Fax: +852-2886-9022

Renesas Electronics Taiwan Co., Ltd.
13F, No. 363, Fu Shing North Road, Taipei 10543, Taiwan
Tel: +886-2-8175-9600, Fax: +886-2-8175-9670

Renesas Electronics Singapore Pte. Ltd.
80 Bendemeer Road, Unit #06-02 Hyflux Innovation Centre, Singapore 339949
Tel: +65-6213-0200, Fax: +65-6213-0300

Renesas Electronics Malaysia Sdn.Bhd.
Unit 1207, Block B, Menara Amcorp, Amcorp Trade Centre, No. 18, Jln Persiaran Barat, 46050 Petaling Jaya, Selangor Darul Ehsan, Malaysia
Tel: +60-3-7955-9390, Fax: +60-3-7955-9510

Renesas Electronics India Pvt. Ltd.
No.777C, 100 Feet Road, HAL 2nd Stage, Indiranagar, Bangalore 560 038, India
Tel: +91-80-67208700, Fax: +91-80-67208777

Renesas Electronics Korea Co., Ltd.
17F, KAMCO Yangjae Tower, 262, Gangnam-daero, Gangnam-gu, Seoul, 06265 Korea
Tel: +82-2-558-3737, Fax: +82-2-558-5338