

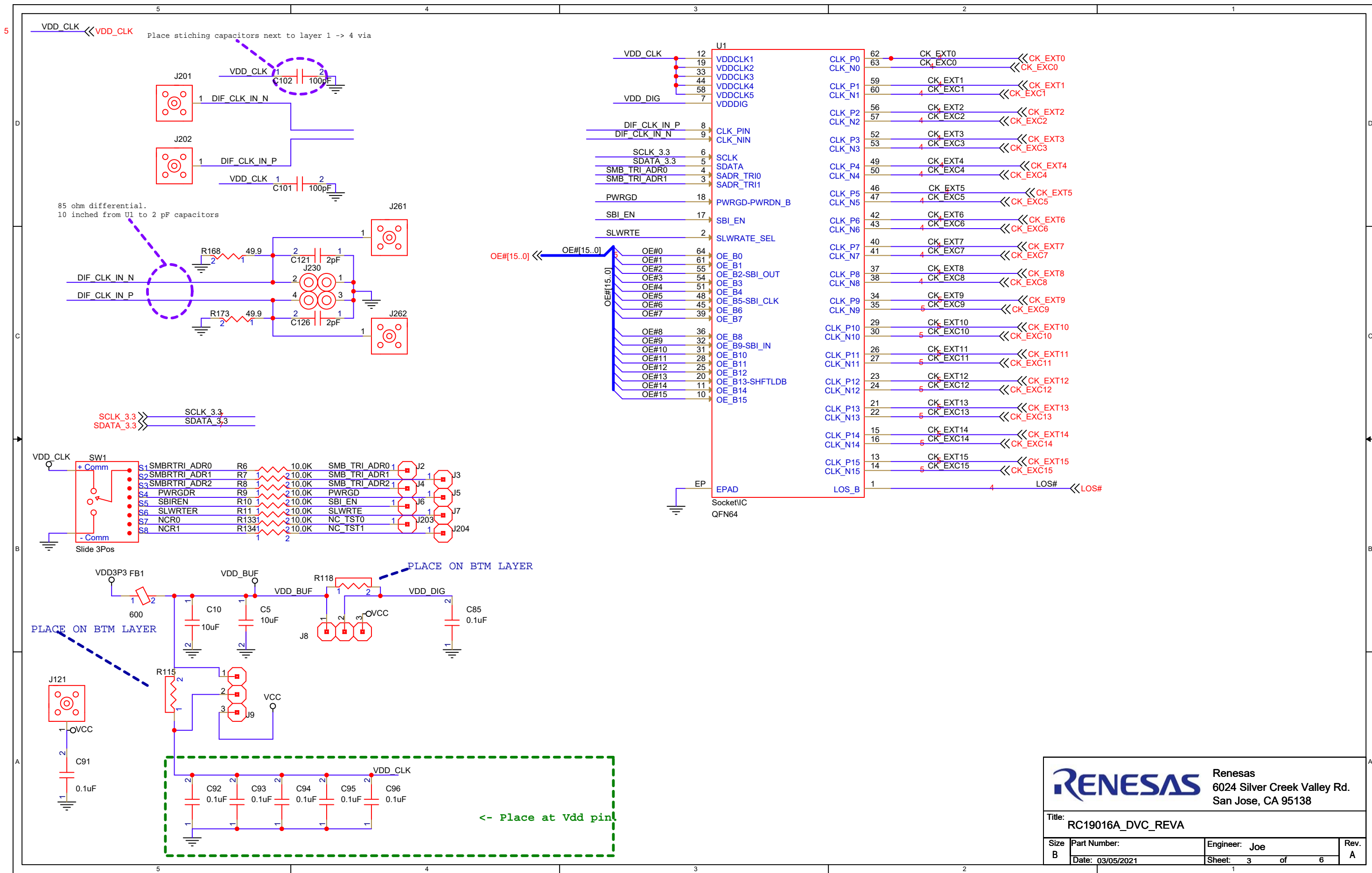


RC19016A_DVC_REVA

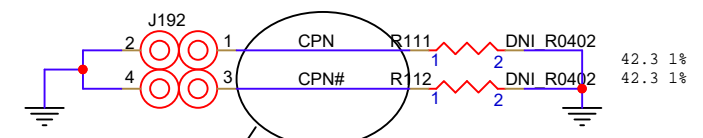
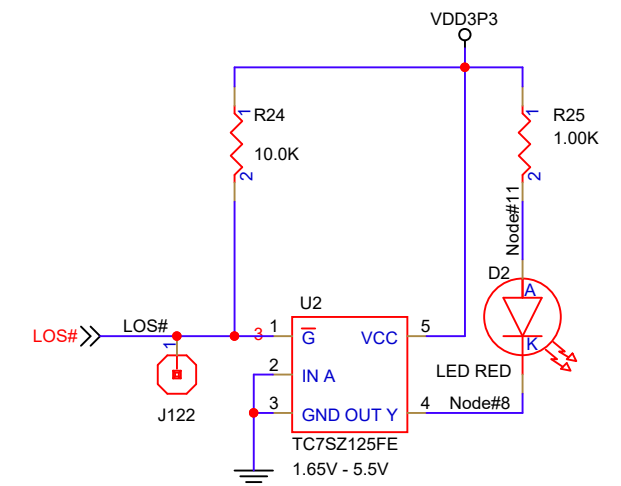
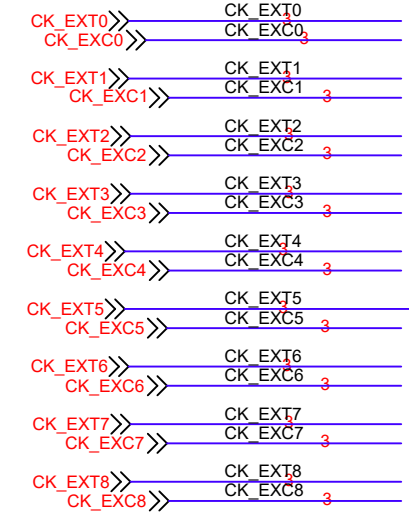
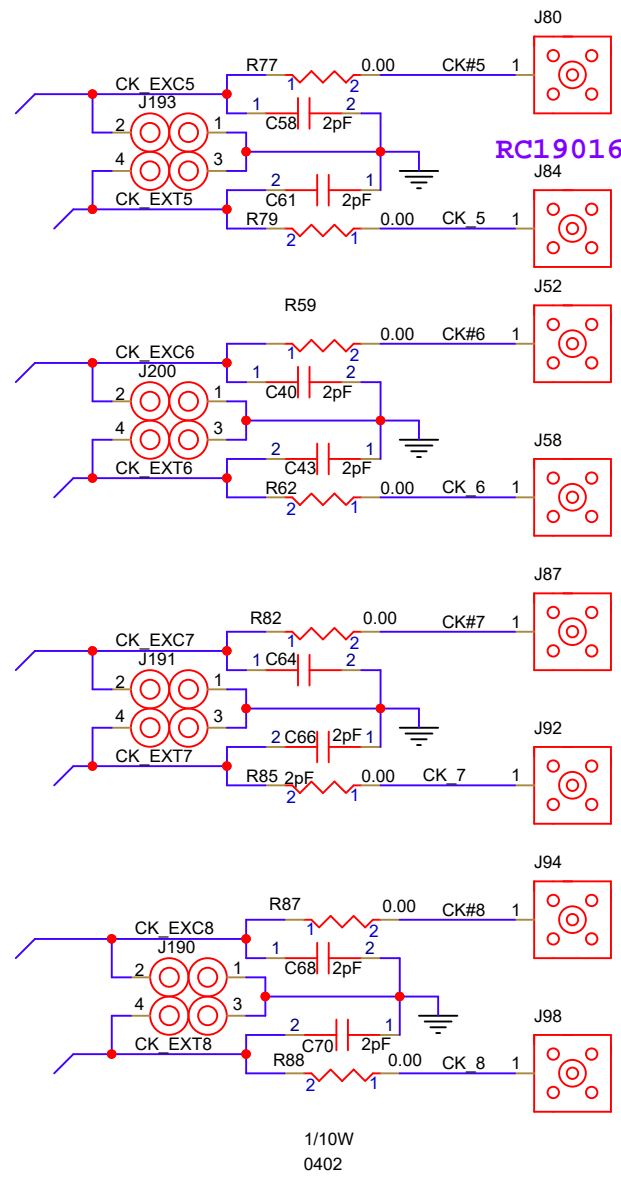
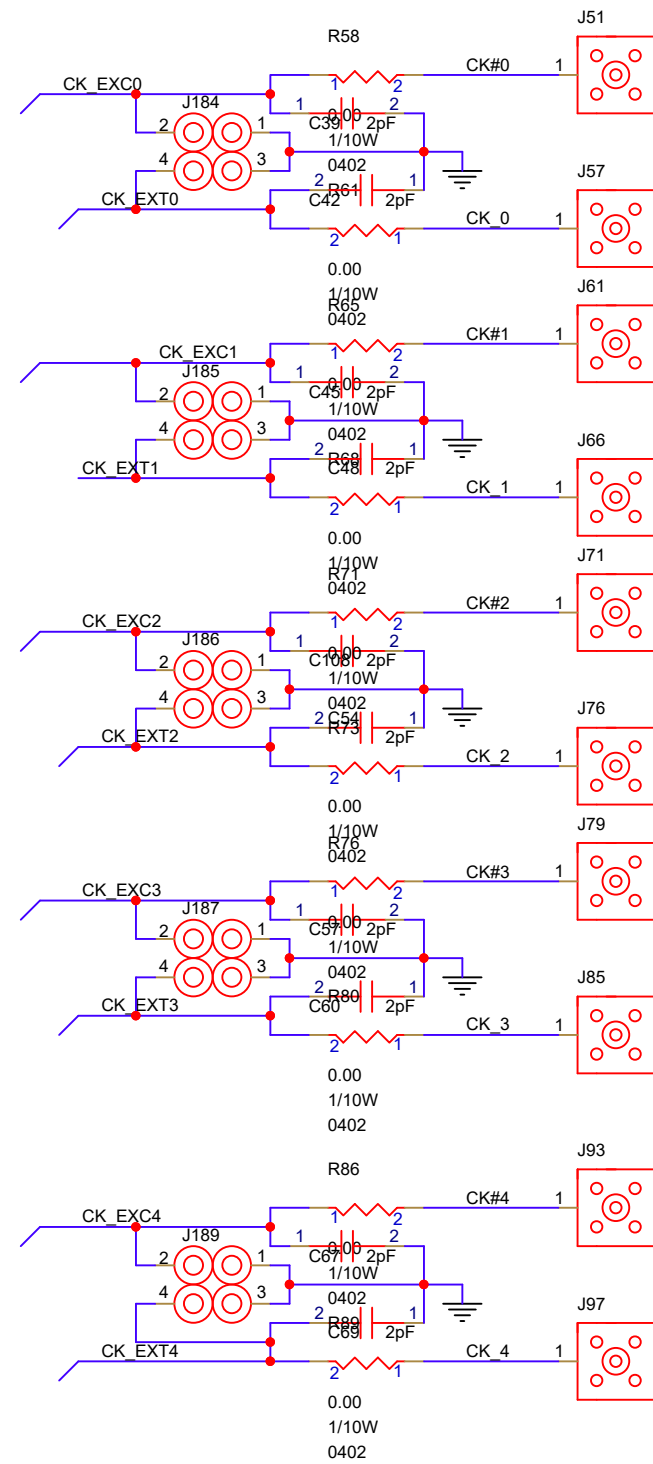
		Renesas 6024 Silver Creek Valley Rd. San Jose, CA 95138	
Title: RC19016A_DVC_REVA 85 ohm			
Size B	Part Number:	Engineer: LOU POITRAS	Rev. 0.7
	Date: 03/05/2021	Sheet: 1 of 6	

REV.	DESCRIPTION	DATE	ENGINEER

 RENESAS Renesas 6024 Silver Creek Valley Rd. San Jose, CA 95138			
Title: RC19016A_DVC_REVA			
Size B	Part Number: Date: 03/05/2021	Engineer: Joe Sheet: 2 of 6	Rev. A



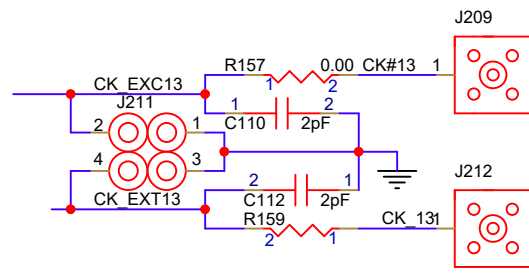
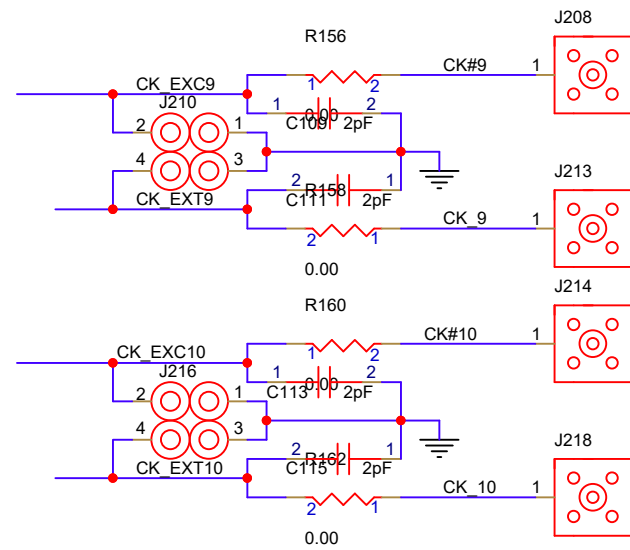
RENESAS		Renesas 6024 Silver Creek Valley Rd. San Jose, CA 95138	
Title: RC19016A_DVC_REVA			
Size B	Part Number:	Engineer: Joe	Rev. A
	Date: 03/05/2021	Sheet: 3 of 6	



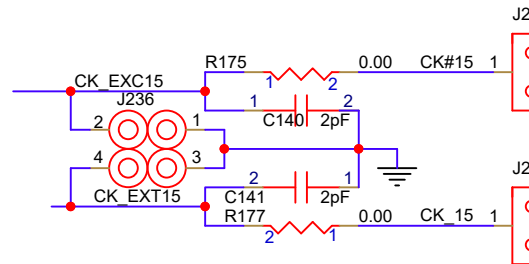
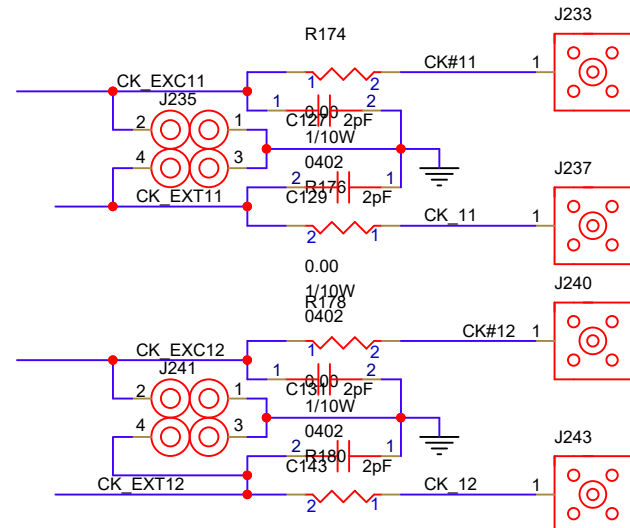
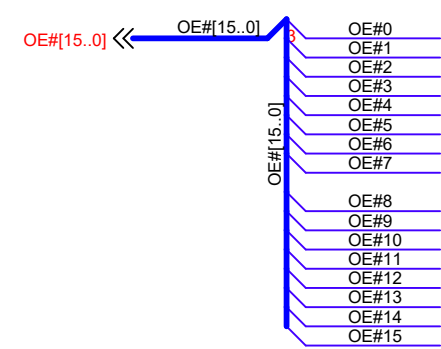
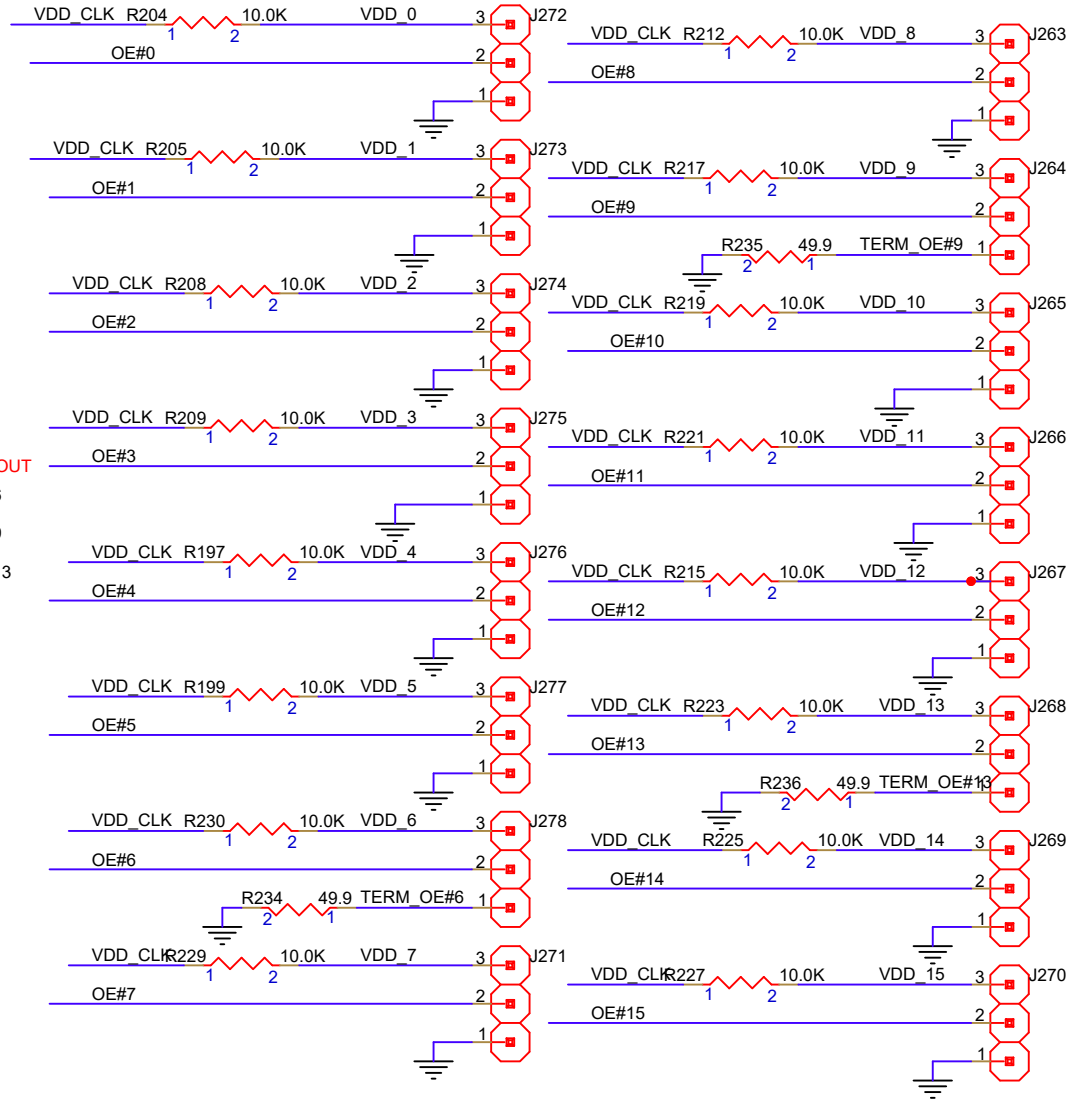
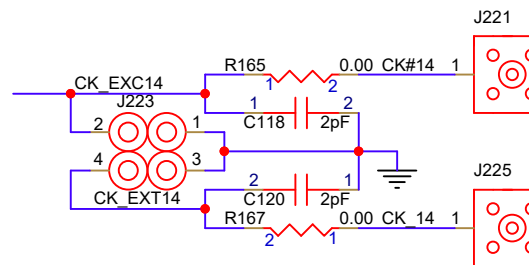
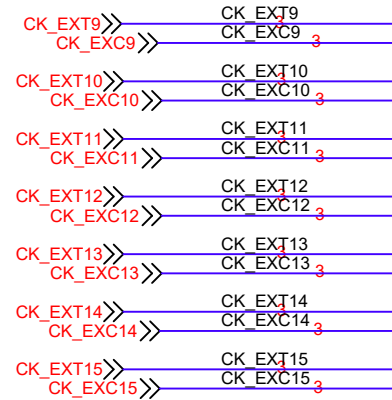
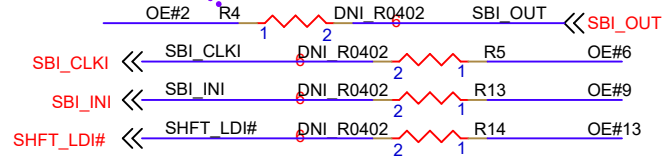
ALL DIFFERENTIAL TRACES 85 OHM DIFFERENTIAL
10 INCH MICROSTRIP FROM U1 TO 2 pF CAPS

RENESAS		Renesas 6024 Silver Creek Valley Rd. San Jose, CA 95138	
Title: RC19016A_DVC_REVA			
Size B	Part Number:	Engineer: Joe	Rev. A
	Date: 03/05/2021	Sheet: 4 of 7	

3 VDD_CLK << VDD_CLK



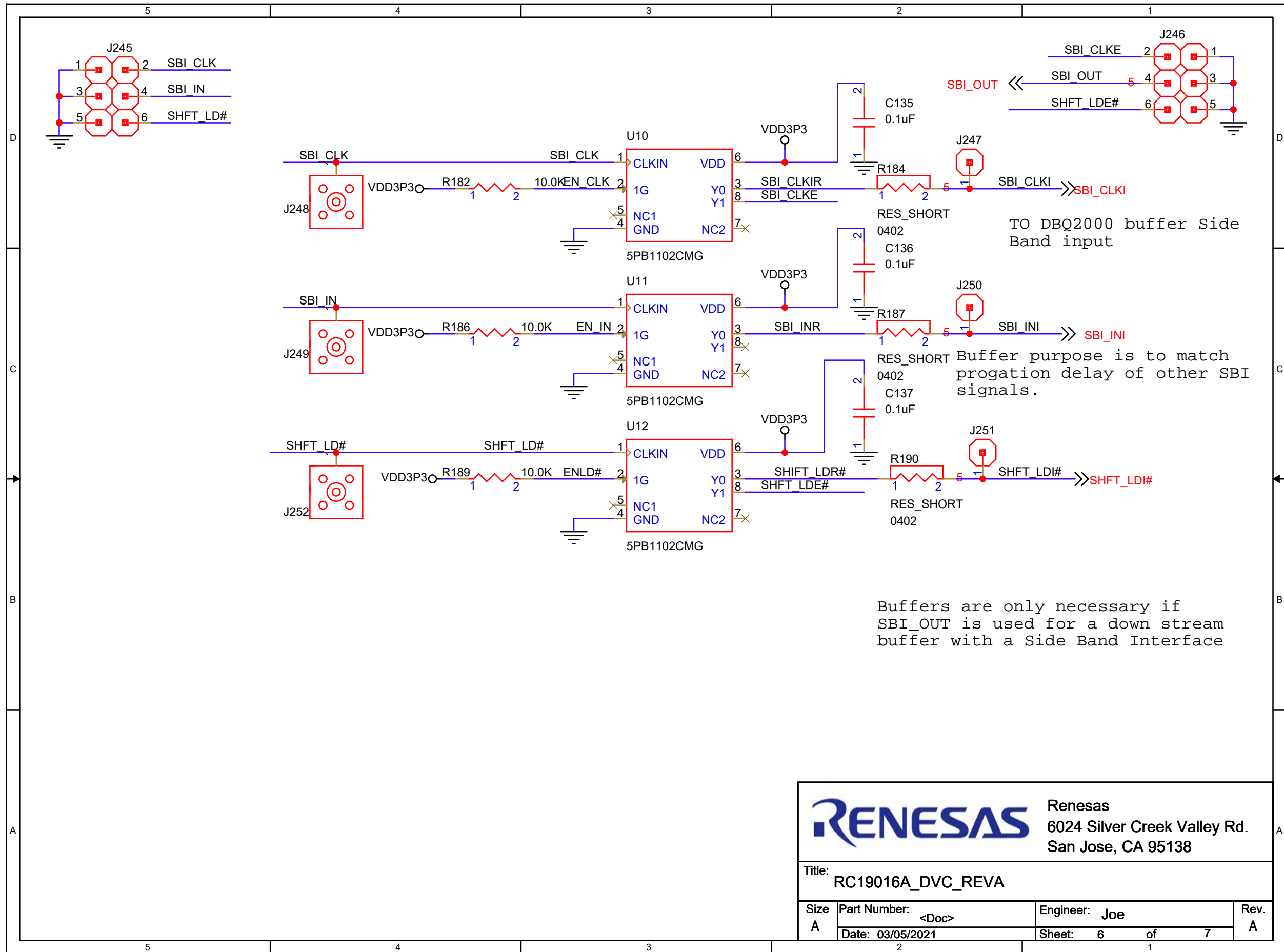
Place by J274



RENESAS Renesas
6024 Silver Creek Valley Rd.
San Jose, CA 95138

Title: RC19016A_DVC_REVA

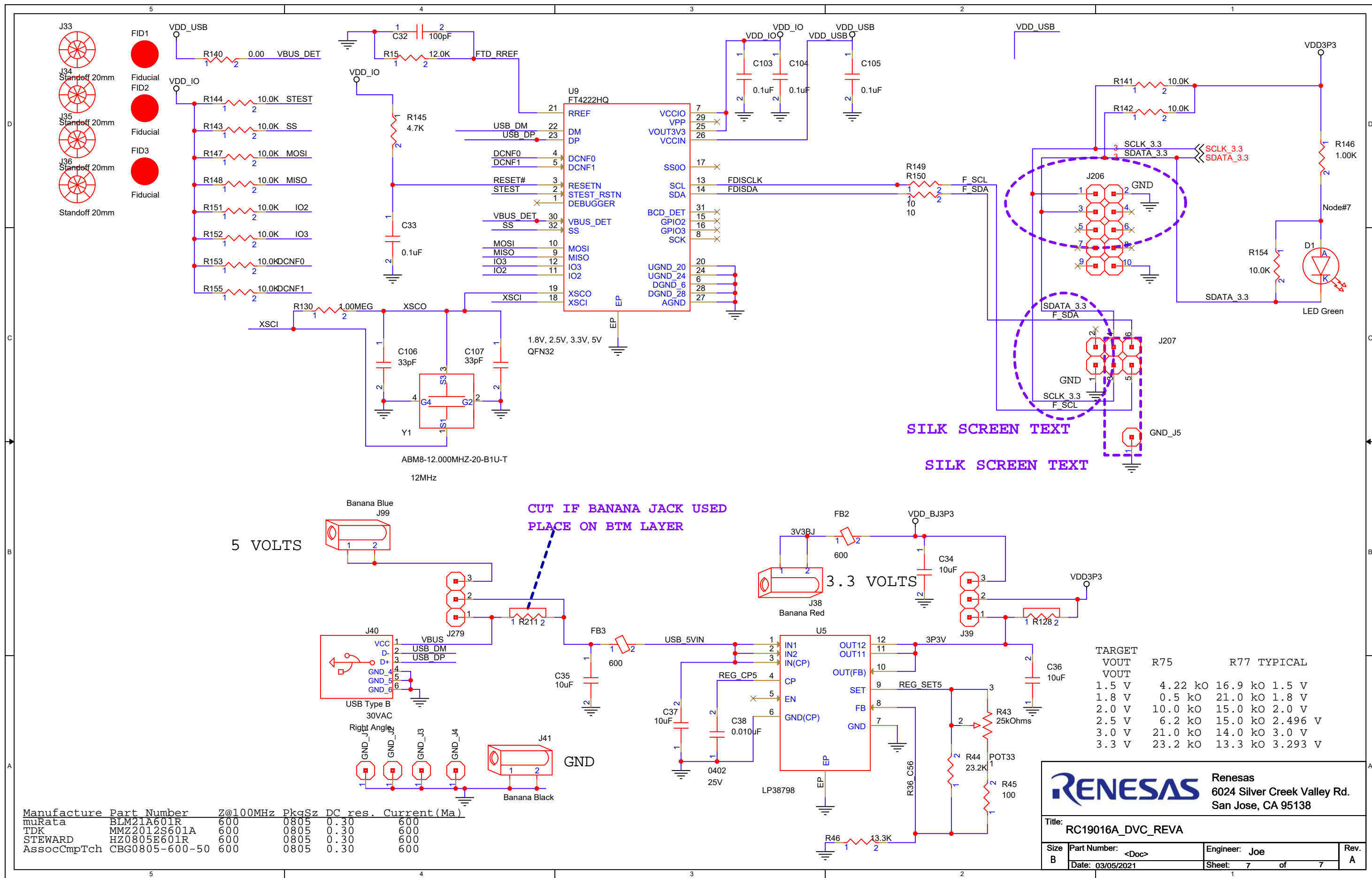
Size B	Part Number: <Doc>	Engineer: Joe	Rev. A
	Date: 03/05/2021	Sheet: 5 of 7	



RENESAS Renesas
 6024 Silver Creek Valley Rd.
 San Jose, CA 95138

Title: RC19016A_DVC_REVA

Size A	Part Number: <Doc>	Engineer: Joe	Rev. A
	Date: 03/05/2021	Sheet: 6 of 7	



RENESAS Renesas
 6024 Silver Creek Valley Rd.
 San Jose, CA 95138

Title: RC19016A_DVC_REVA

Size B	Part Number: <Doc>	Engineer: Joe	Rev. A
	Date: 03/05/2021	Sheet: 7 of 7	