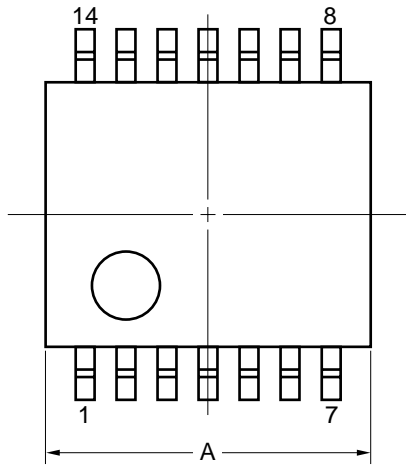
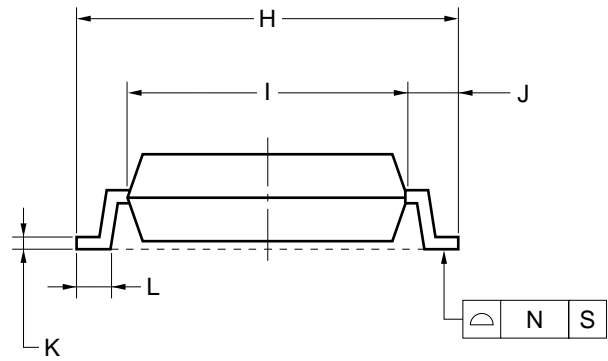
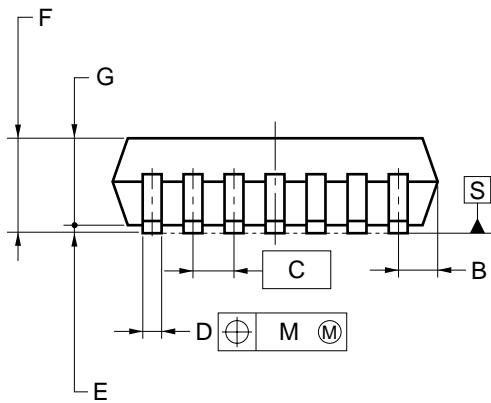
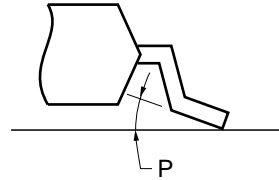


# 14-PIN PLASTIC SSOP (5.72 mm (225))



detail of lead end



**NOTE**

Each lead centerline is located within 0.10 mm of its true position (T.P.) at maximum material condition.

ITEM	MILLIMETERS
A	5.40 MAX.
B	0.75 MAX.
C	0.65 (T.P.)
D	$0.30^{+0.10}_{-0.05}$
E	$0.125 \pm 0.075$
F	1.8 MAX.
G	1.44
H	$6.2 \pm 0.3$
I	4.4
J	0.9
K	$0.15^{+0.10}_{-0.05}$
L	$0.5 \pm 0.2$
M	0.10
N	0.10
P	$5^\circ \pm 5^\circ$