

PRODUCT ADVISORY

Data Sheet Specification Correction for the Listed Intersil ISL4260* QFN Packaged Products

**Refer to:
PA10066**

Date: June 21, 2010

June 21, 2010

To: Our Valued Intersil Customers

Subject: **Data Sheet Specification Correction for the Listed Intersil ISL4260*
QFN Packaged Products**

This advisory is to inform you that Intersil has made corrections to the POD (Package Outline Drawing) referenced in the data sheet specification for the listed Intersil ISL4260* QFN (Quad Flat No-Lead) packaged products. The updates to the POD correct the exposed pad dimensions and incorporate Intersil's new POD format. There have been no changes made to the package or product itself. The updated data sheet incorporating the corrected POD is available on the Intersil web site at <http://www.intersil.com/data/fn/fn6035.pdf>.

Products Affected: **ISL4260EIRZ ISL4260EIRZ-T**

Intersil will take all necessary actions to conform to customer requirements and to ensure the continued high quality and reliability of Intersil products being supplied. Customers may expect to continue receiving product manufactured to the same conditions used for material supplied today.

If you have concerns with this change notice, Intersil must hear from you immediately. Please contact the nearest Intersil Sales Office or call the Intersil Corporate line at 1-888-468-3774, in the United States, or 1-321-724-7143 outside of the United States.

Jon Brewster

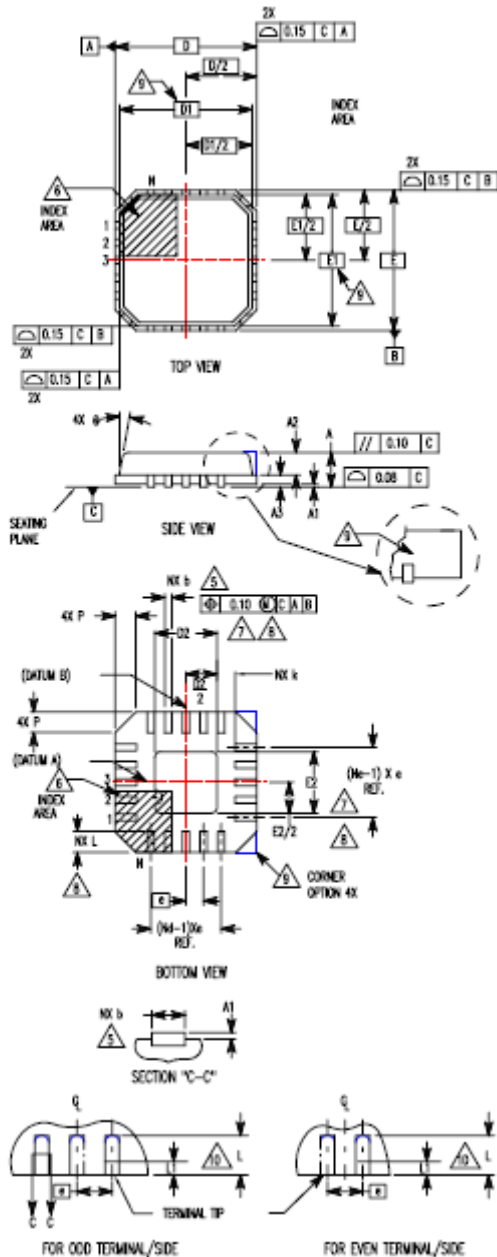
Jon Brewster
Intersil Corporation

PA10066

CC: J. Touvell R. Pitts D. Wackley

Incorrect POD – PA10066

Quad Flat No-Lead Plastic Package (QFN) Micro Lead Frame Plastic Package (MLFP)



L32.5x5

32 LEAD QUAD FLAT NO-LEAD PLASTIC PACKAGE
(COMPLIANT TO JEDEC MO-220VHHD-2 ISSUE C)

SYMBOL	MILLIMETERS			NOTES
	MIN	NOMINAL	MAX	
A	0.80	0.90	1.00	-
A1	-	-	0.05	-
A2	-	-	1.00	9
A3	0.20 REF			9
b	0.18	0.23	0.30	5,8
D	5.00 BSC			-
D1	4.75 BSC			9
D2	2.95	3.10	3.25	7,8
E	5.00 BSC			-
E1	4.75 BSC			9
E2	2.95	3.10	3.25	7,8
e	0.50 BSC			-
k	0.25	-	-	-
L	0.30	0.40	0.50	8
L1	-	-	0.15	10
N	32			2
Nd	8			3
Ne	8	8	-	3
P	-	-	0.60	9
θ	-	-	12	9

Rev. 1 10/02

NOTES:

1. Dimensioning and tolerancing conform to ASME Y14.5-1994.
2. N is the number of terminals.
3. Nd and Ne refer to the number of terminals on each D and E.
4. All dimensions are in millimeters. Angles are in degrees.
5. Dimension b applies to the metallized terminal and is measured between 0.15mm and 0.30mm from the terminal tip.
6. The configuration of the pin #1 identifier is optional, but must be located within the zone indicated. The pin #1 identifier may be either a mold or mark feature.
7. Dimensions D2 and E2 are for the exposed pads which provide improved electrical and thermal performance.
8. Nominal dimensions are provided to assist with PCB Land Pattern Design efforts, see Intersil Technical Brief TB389.
9. Features and dimensions A2, A3, D1, E1, P & θ are present when Anvil singulation method is used and not present for saw singulation.
10. Depending on the method of lead termination at the edge of the package, a maximum 0.15mm pull back (L1) maybe present. L minus L1 to be equal to or greater than 0.3mm.

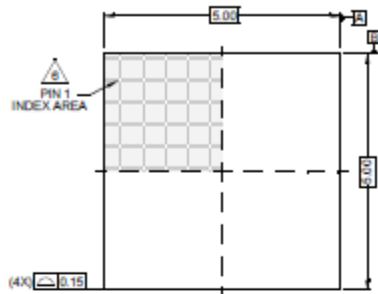
Correct **POD – PA10066**

Package Outline Drawing

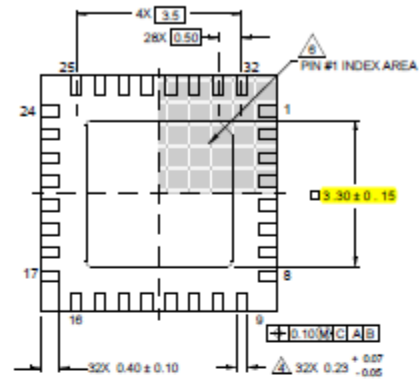
L32.5x5B

32 LEAD QUAD FLAT NO-LEAD PLASTIC PACKAGE

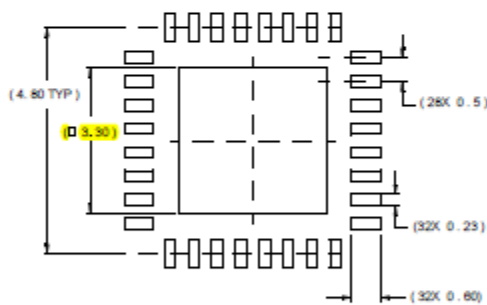
Rev 3, 5/10



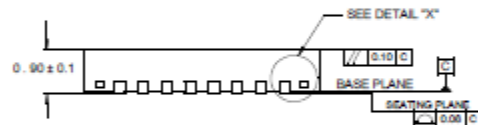
TOP VIEW



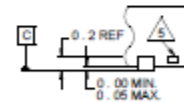
BOTTOM VIEW



TYPICAL RECOMMENDED LAND PATTERN



SIDE VIEW



DETAIL "X"

NOTES:

1. Dimensions are in millimeters.
Dimensions in () for Reference Only.
2. Dimensioning and tolerancing conform to AMSE Y14.5m-1994.
3. Unless otherwise specified, tolerance : Decimal ± 0.05
4. Dimension applies to the metallized terminal and is measured between 0.15mm and 0.30mm from the terminal tip.
5. Tiebar shown (if present) is a non-functional feature.
6. The configuration of the pin #1 identifier is optional, but must be located within the zone indicated. The pin #1 identifier may be either a mold or mark feature.