

# RX Capacitive Touch Evaluation System

## Self-Capacitance Touch Buttons/Wheels/Slider Board

### User's Manual

Renesas Solution Starter Kit

RX Capacitive Touch Evaluation System

Application Board

All information contained in these materials, including products and product specifications, represents information on the product at the time of publication and is subject to change by Renesas Electronics Corp. without notice. Please review the latest information published by Renesas Electronics Corp. through various means, including the Renesas Electronics Corp. website (<http://www.renesas.com>).

## Notice

1. Descriptions of circuits, software and other related information in this document are provided only to illustrate the operation of semiconductor products and application examples. You are fully responsible for the incorporation or any other use of the circuits, software, and information in the design of your product or system. Renesas Electronics disclaims any and all liability for any losses and damages incurred by you or third parties arising from the use of these circuits, software, or information.
2. Renesas Electronics hereby expressly disclaims any warranties against and liability for infringement or any other claims involving patents, copyrights, or other intellectual property rights of third parties, by or arising from the use of Renesas Electronics products or technical information described in this document, including but not limited to, the product data, drawings, charts, programs, algorithms, and application examples.
3. No license, express, implied or otherwise, is granted hereby under any patents, copyrights or other intellectual property rights of Renesas Electronics or others.
4. You shall be responsible for determining what licenses are required from any third parties, and obtaining such licenses for the lawful import, export, manufacture, sales, utilization, distribution or other disposal of any products incorporating Renesas Electronics products, if required.
5. You shall not alter, modify, copy, or reverse engineer any Renesas Electronics product, whether in whole or in part. Renesas Electronics disclaims any and all liability for any losses or damages incurred by you or third parties arising from such alteration, modification, copying or reverse engineering.
6. Renesas Electronics products are classified according to the following two quality grades: "Standard" and "High Quality". The intended applications for each Renesas Electronics product depends on the product's quality grade, as indicated below.

"Standard": Computers; office equipment; communications equipment; test and measurement equipment; audio and visual equipment; home electronic appliances; machine tools; personal electronic equipment; industrial robots; etc.

"High Quality": Transportation equipment (automobiles, trains, ships, etc.); traffic control (traffic lights); large-scale communication equipment; key financial terminal systems; safety control equipment; etc.

Unless expressly designated as a high reliability product or a product for harsh environments in a Renesas Electronics data sheet or other Renesas Electronics document, Renesas Electronics products are not intended or authorized for use in products or systems that may pose a direct threat to human life or bodily injury (artificial life support devices or systems; surgical implantations; etc.), or may cause serious property damage (space system; undersea repeaters; nuclear power control systems; aircraft control systems; key plant systems; military equipment; etc.). Renesas Electronics disclaims any and all liability for any damages or losses incurred by you or any third parties arising from the use of any Renesas Electronics product that is inconsistent with any Renesas Electronics data sheet, user's manual or other Renesas Electronics document.

7. No semiconductor product is absolutely secure. Notwithstanding any security measures or features that may be implemented in Renesas Electronics hardware or software products, Renesas Electronics shall have absolutely no liability arising out of any vulnerability or security breach, including but not limited to any unauthorized access to or use of a Renesas Electronics product or a system that uses a Renesas Electronics product. RENESAS ELECTRONICS DOES NOT WARRANT OR GUARANTEE THAT RENESAS ELECTRONICS PRODUCTS, OR ANY SYSTEMS CREATED USING RENESAS ELECTRONICS PRODUCTS WILL BE INVULNERABLE OR FREE FROM CORRUPTION, ATTACK, VIRUSES, INTERFERENCE, HACKING, DATA LOSS OR THEFT, OR OTHER SECURITY INTRUSION ("Vulnerability Issues"). RENESAS ELECTRONICS DISCLAIMS ANY AND ALL RESPONSIBILITY OR LIABILITY ARISING FROM OR RELATED TO ANY VULNERABILITY ISSUES. FURTHERMORE, TO THE EXTENT PERMITTED BY APPLICABLE LAW, RENESAS ELECTRONICS DISCLAIMS ANY AND ALL WARRANTIES, EXPRESS OR IMPLIED, WITH RESPECT TO THIS DOCUMENT AND ANY RELATED OR ACCOMPANYING SOFTWARE OR HARDWARE, INCLUDING BUT NOT LIMITED TO THE IMPLIED WARRANTIES OF MERCHANTABILITY, OR FITNESS FOR A PARTICULAR PURPOSE.
8. When using Renesas Electronics products, refer to the latest product information (data sheets, user's manuals, application notes, "General Notes for Handling and Using Semiconductor Devices" in the reliability handbook, etc.), and ensure that usage conditions are within the ranges specified by Renesas Electronics with respect to maximum ratings, operating power supply voltage range, heat dissipation characteristics, installation, etc. Renesas Electronics disclaims any and all liability for any malfunctions, failure or accident arising out of the use of Renesas Electronics products outside of such specified ranges.
9. Although Renesas Electronics endeavors to improve the quality and reliability of Renesas Electronics products, semiconductor products have specific characteristics, such as the occurrence of failure at a certain rate and malfunctions under certain use conditions. Unless designated as a high reliability product or a product for harsh environments in a Renesas Electronics data sheet or other Renesas Electronics document, Renesas Electronics products are not subject to radiation resistance design. You are responsible for implementing safety measures to guard against the possibility of bodily injury, injury or damage caused by fire, and/or danger to the public in the event of a failure or malfunction of Renesas Electronics products, such as safety design for hardware and software, including but not limited to redundancy, fire control and malfunction prevention, appropriate treatment for aging degradation or any other appropriate measures. Because the evaluation of microcomputer software alone is very difficult and impractical, you are responsible for evaluating the safety of the final products or systems manufactured by you.
10. Please contact a Renesas Electronics sales office for details as to environmental matters such as the environmental compatibility of each Renesas Electronics product. You are responsible for carefully and sufficiently investigating applicable laws and regulations that regulate the inclusion or use of controlled substances, including without limitation, the EU RoHS Directive, and using Renesas Electronics products in compliance with all these applicable laws and regulations. Renesas Electronics disclaims any and all liability for damages or losses occurring as a result of your noncompliance with applicable laws and regulations.
11. Renesas Electronics products and technologies shall not be used for or incorporated into any products or systems whose manufacture, use, or sale is prohibited under any applicable domestic or foreign laws or regulations. You shall comply with any applicable export control laws and regulations promulgated and administered by the governments of any countries asserting jurisdiction over the parties or transactions.
12. It is the responsibility of the buyer or distributor of Renesas Electronics products, or any other party who distributes, disposes of, or otherwise sells or transfers the product to a third party, to notify such third party in advance of the contents and conditions set forth in this document.
13. This document shall not be reprinted, reproduced or duplicated in any form, in whole or in part, without prior written consent of Renesas Electronics.
14. Please contact a Renesas Electronics sales office if you have any questions regarding the information contained in this document or Renesas Electronics products.

(Note1) "Renesas Electronics" as used in this document means Renesas Electronics Corporation and also includes its directly or indirectly controlled subsidiaries.

(Note2) "Renesas Electronics product(s)" means any product developed or manufactured by or for Renesas Electronics.

(Rev.5.0-1 October 2020)

## Corporate Headquarters

TOYOSU FORESIA, 3-2-24 Toyosu,  
Koto-ku, Tokyo 135-0061, Japan

[www.renesas.com](http://www.renesas.com)

## Trademarks

Renesas and the Renesas logo are trademarks of Renesas Electronics Corporation. All trademarks and registered trademarks are the property of their respective owners.

## Contact information

For further information on a product, technology, the most up-to-date version of a document, or your nearest sales office, please visit:  
[www.renesas.com/contact/](http://www.renesas.com/contact/).

## General Precautions in the Handling of Microprocessing Unit and Microcontroller Unit Products

The following usage notes are applicable to all Microprocessing unit and Microcontroller unit products from Renesas. For detailed usage notes on the products covered by this document, refer to the relevant sections of the document as well as any technical updates that have been issued for the products.

### 1. Precaution against Electrostatic Discharge (ESD)

A strong electrical field, when exposed to a CMOS device, can cause destruction of the gate oxide and ultimately degrade the device operation. Steps must be taken to stop the generation of static electricity as much as possible, and quickly dissipate it when it occurs. Environmental control must be adequate. When it is dry, a humidifier should be used. This is recommended to avoid using insulators that can easily build up static electricity. Semiconductor devices must be stored and transported in an anti-static container, static shielding bag or conductive material. All test and measurement tools including work benches and floors must be grounded. The operator must also be grounded using a wrist strap. Semiconductor devices must not be touched with bare hands. Similar precautions must be taken for printed circuit boards with mounted semiconductor devices.

### 2. Processing at power-on

The state of the product is undefined at the time when power is supplied. The states of internal circuits in the LSI are indeterminate and the states of register settings and pins are undefined at the time when power is supplied. In a finished product where the reset signal is applied to the external reset pin, the states of pins are not guaranteed from the time when power is supplied until the reset process is completed. In a similar way, the states of pins in a product that is reset by an on-chip power-on reset function are not guaranteed from the time when power is supplied until the power reaches the level at which resetting is specified.

### 3. Input of signal during power-off state

Do not input signals or an I/O pull-up power supply while the device is powered off. The current injection that results from input of such a signal or I/O pull-up power supply may cause malfunction and the abnormal current that passes in the device at this time may cause degradation of internal elements. Follow the guideline for input signal during power-off state as described in your product documentation.

### 4. Handling of unused pins

Handle unused pins in accordance with the directions given under handling of unused pins in the manual. The input pins of CMOS products are generally in the high-impedance state. In operation with an unused pin in the open-circuit state, extra electromagnetic noise is induced in the vicinity of the LSI, an associated shoot-through current flows internally, and malfunctions occur due to the false recognition of the pin state as an input signal become possible.

### 5. Clock signals

After applying a reset, only release the reset line after the operating clock signal becomes stable. When switching the clock signal during program execution, wait until the target clock signal is stabilized. When the clock signal is generated with an external resonator or from an external oscillator during a reset, ensure that the reset line is only released after full stabilization of the clock signal. Additionally, when switching to a clock signal produced with an external resonator or by an external oscillator while program execution is in progress, wait until the target clock signal is stable.

### 6. Voltage application waveform at input pin

Waveform distortion due to input noise or a reflected wave may cause malfunction. If the input of the CMOS device stays in the area between  $V_{IL}$  (Max.) and  $V_{IH}$  (Min.) due to noise, for example, the device may malfunction. Take care to prevent chattering noise from entering the device when the input level is fixed, and also in the transition period when the input level passes through the area between  $V_{IL}$  (Max.) and  $V_{IH}$  (Min.).

### 7. Prohibition of access to reserved addresses

Access to reserved addresses is prohibited. The reserved addresses are provided for possible future expansion of functions. Do not access these addresses as the correct operation of the LSI is not guaranteed.

### 8. Differences between products

Before changing from one product to another, for example to a product with a different part number, confirm that the change will not lead to problems. The characteristics of a microprocessing unit or microcontroller unit products in the same group but having a different part number might differ in terms of internal memory capacity, layout pattern, and other factors, which can affect the ranges of electrical characteristics, such as characteristic values, operating margins, immunity to noise, and amount of radiated noise. When changing to a product with a different part number, implement a system-evaluation test for the given product.

# How to Use This Manual

## 1. Purpose and Target Readers

This manual is designed to provide the user with a general understanding of the Capacitive Touch Application Board and its electrical characteristics. It is intended for users designing sample code on the RSSK platform, using the many different incorporated peripheral devices.

The manual includes an overview of the Capacitive Touch Application Board functions, but does not serve as a guide for embedded programming or hardware design. A basic knowledge of electric circuits, logical circuits, and MCUs is necessary in order to use this manual.

Particular attention should be paid to the precautionary notes when using the manual. These notes occur within the body of the text, at the end of each section, and in the Usage Notes section.

The revision history summarizes the locations of revisions and additions. It does not list all revisions. Refer to the text of the manual for details.

The following documents apply to the Capacitive Touch Application Board included in the Renesas Capacitive Touch Evaluation System. Make sure to refer to the latest versions of these documents. The newest versions of the documents listed may be obtained from the Renesas Electronics Web site.

Document Type	Description	Document Title	Document No.
User's manual	Description of application board hardware specifications	RX Capacitive Touch Evaluation System: Self-Capacitance Buttons/Wheels/Slider Board User's Manual	This User's Manual

## 2. List of Abbreviations and Acronyms

<b>Abbreviation</b>	<b>Full Form</b>
ACIA	Asynchronous Communications Interface Adapter
bps	bits per second
CRC	Cyclic Redundancy Check
DMA	Direct Memory Access
DMAC	Direct Memory Access Controller
GSM	Global System for Mobile Communications
Hi-Z	High Impedance
IEBus	Inter Equipment Bus
I/O	Input/Output
IrDA	Infrared Data Association
LSB	Least Significant Bit
MSB	Most Significant Bit
NC	Non-Connect
PLL	Phase Locked Loop
PWM	Pulse Width Modulation
SFR	Special Function Register
SIM	Subscriber Identity Module
UART	Universal Asynchronous Receiver/Transmitter
VCO	Voltage Controlled Oscillator

## Renesas RTK0EG0003S02001BJ Disclaimer

By using this RTK0EG0003S02001BJ, the User accepts the following terms, which are in addition to, and control in the event of disagreement, with Renesas' General Terms and Conditions available at <https://www.renesas.com/en-us/legal/disclaimer.html>.

The RTK0EG0003S02001BJ is not guaranteed to be error free, and the entire risk as to the results and performance of the RTK0EG0003S02001BJ is assumed by the User. The RTK0EG0003S02001BJ is provided by Renesas on an "as is" basis without warranty of any kind whether express or implied, including but not limited to the implied warranties of good workmanship, fitness for a particular purpose, title, merchantability, and non-infringement of intellectual property rights. Renesas expressly disclaims any implied warranty.

Renesas does not consider the RTK0EG0003S02001BJ to be a finished product and therefore the RTK0EG0003S02001BJ may not comply with some requirements applicable to finished products, including, but not limited to recycling, restricted substances and electromagnetic compatibility regulations. Refer to Certifications section, for information about certifications and compliance information for the RTK0EG0003S02001BJ. It is the kit User's responsibility to make sure the kit meets any local requirements applicable to their region.

Renesas or its affiliates shall in no event be liable for any loss of profit, loss of data, loss of contract, loss of business, damage to reputation or goodwill, any economic loss, any reprogramming or recall costs (whether the foregoing losses are direct or indirect) nor shall Renesas or its affiliates be liable for any other direct or indirect special, incidental or consequential damages arising out of or in relation to the use of this RTK0EG0003S02001BJ, even if Renesas or its affiliates have been advised of the possibility of such damages.

Renesas has used reasonable care in preparing the information included in this document, but Renesas does not warrant that such information is error free nor does Renesas guarantee an exact match for every application or parameter to part numbers designated by other vendors listed herein. The information provided in this document is intended solely to enable the use of Renesas products. No express or implied license to any intellectual property right is granted by this document or in connection with the sale of Renesas products. Renesas reserves the right to make changes to specifications and product descriptions at any time without notice. Renesas assumes no liability for any damages incurred by you resulting from errors in or omissions from the information included herein. Renesas cannot verify, and assumes no liability for, the accuracy of information available on another company's website.

## Precautions

This Evaluation Kit is only intended for use in a laboratory environment under ambient temperature and humidity conditions. A safe separation distance should be used between this and any sensitive equipment. Its use outside the laboratory, classroom, study area, or similar such area invalidates conformity with the protection requirements of the Electromagnetic Compatibility Directive and could lead to prosecution.

The product generates, uses, and can radiate radio frequency energy and may cause harmful interference to radio communications. There is no guarantee that interference will not occur in a particular installation. If this equipment causes harmful interference to radio or television reception, which can be determined by turning the equipment off or on, you are encouraged to try to correct the interference by one or more of the following measures:

- Ensure attached cables do not lie across the equipment.
- Reorient the receiving antenna.
- Increase the distance between the equipment and the receiver.
- Connect the equipment into an outlet on a circuit different from that which the receiver is connected.
- Power down the equipment when not in use.
- Consult the dealer or an experienced radio/TV technician for help.

Note: It is recommended that wherever possible shielded interface cables are used.

The product is potentially susceptible to certain EMC phenomena. To mitigate against them it is recommended that the following measures be undertaken:

- The user is advised that mobile phones should not be used within 10 m of the product when in use.
- The user is advised to take ESD precautions when handling the equipment.

The Evaluation Kit does not represent an ideal reference design for an end product and does not fulfill the regulatory standards for an end product.

# Safety Items

## Definitions of Symbols

A variety of symbols are used in this document and on the product itself to prevent in advance danger to you the user or any third parties and to prevent in advance damage to any physical property.

This section, Safety Items, presents these symbols and their meanings. It also presents safety notes to assure that this produce is used safely and correctly.

This product should only be used after fully understanding the material presented in this section.



### Warning

Warning items indicate things that, if not avoided, could lead to death or serious injury.



### Caution

Caution items indicate both latent dangers that can lead to minor or moderately severe injury and latent dangers that can lead to property damage if not avoided.

In addition to the above two markings, the following are displayed at the same time if appropriate.

**[Important]** Indicates a point that can lead to equipment failure or malfunction if incorrectly set when setting up this product.

A triangular mark  $\triangle$  indicates a warning or caution.

Example:



### Electrical Shock Hazard

The



mark indicates something that is forbidden.

Example: :



### Do Not Disassemble

## Warning



# Warning

### Handling related warnings:



Do not disassemble or modify this product. Renesas does not guarantee this product if it has been disassembled or modified.

The power supply for this product can be selected to be either the USB bus or a DC jack. A jumper is used to select the power supply.

If, during either use or storage of this product, any abnormality in the product itself (including abnormal odors, heating, color changes, or shape changes to the product itself) are observed, disconnect the USB cable and power supply cable immediately.

### Installation:



Do not install this equipment in a location that has a high humidity or where water or other fluids could get on it. This equipment may be damaged if water or other fluids could get on it.

### Ambient temperature:



The upper limit for the ambient temperature under which this product may be used is 35°C.

This maximum rated ambient temperature must not be exceeded.



## Caution

### **Caution**

#### Handling related cautions:

Use the antistatic band. Failure to do so could cause malfunction or unstable motion or be damaged Internal components.

This product must be handled carefully. Do not drop, knock over, or apply any strong mechanical shocks to this product.



When connecting or disconnecting cables from this product, hold the parts of the cable intended to be grasped (such as the plugs) and avoid putting stress on the cable. Do not pull on this product when it is connected to a communications cable or user system connection cable. Stress on the cable can result in internal disconnections in the cable. When connecting a cable to a connector, be careful not to insert the plug in the reverse orientation. Reverse insertion can result in damage to this product itself or to connected equipment.

The power supply for this product can be selected from two options (the DC jack or the USB cable). The jumper JP1 (on the top side of the circuit board) is used to select the power supply. Always check the jumper position before connecting a power source. An incorrect jumper position can result in damage to this product or the PC connected over the USB cable.

Do not handle this product with wet hands. This can lead to failure of the product.

#### Transport methods:



**When transporting this product, use the product's packing box and cushioning materials and ship it with precision equipment handling.** If the products packing is insufficient, it may be damaged during shipping.

If it must be transported by some other method, pack it carefully as precision equipment. When packing this product, always use the antistatic pouch included with this product. If some other pouch is used, damage to the product may be caused by electrostatic discharge.

#### Abnormal operation:



If operation of this product becomes abnormal due to interference from, for example, external noise, apply the following procedure.

1. Turn off the power.
2. Wait 10 seconds and then turn the power back on.

#### Disposal:



When disposing of this product, handle it as industrial waste according to all applicable laws.



#### European Union regulatory notices:

The WEEE (Waste Electrical and Electronic Equipment) regulations put responsibilities on producers for the collection and recycling or disposal of electrical and electronic waste. Return of WEEE under these regulations is applicable in the European Union only. This equipment (including all accessories) is not intended for household use. After use the equipment cannot be disposed of as household waste, and the WEEE must be treated, recycled and disposed of in an environmentally sound manner. Renesas Electronics Europe GmbH can take back end of life equipment, register for this service at "<http://www.renesas.eu/weee>".

## Electromagnetic Environment

# **Electromagnetic Environment**



- This product generates electromagnetic emissions in an industrial environment. Use in a residential environment may affect other equipment.
- This product requires special EMC precautions and should be used in accordance with the EMC information provided below.

### EMI: Electro Magnetic Interference

Standard		Level	Guidance for EMC protection
Test Item	EN 55011	Group1 Class A	This product has no intentional external emissions, but internal RF emissions may affect nearby electromagnetically sensitive electronic equipment.
Radiated Emissions	:2009+A1:2010		

### EMS: Electro Magnetic Susceptibility

Standard		Level	Guidance for EMC protection
Electrostatic Discharge	EN 61000-4-2:2009	B <sup>*1</sup>	<p>This product is intended for use in electromagnetic environments in industrial settings. The user of the product should pay particular attention to the following electromagnetic immunity.</p> <ul style="list-style-type: none"> <li>• Power supply quality</li> <li>• Protection against static electricity</li> <li>• Protection against external high-power radio waves</li> <li>• Protection against external magnetic fields</li> </ul>
Radio Frequency Electromagnetic Field	EN 61000-4-3: 2006+A1:2008+A2:2010	A <sup>*2</sup>	

\*1 Test Condition of Electrostatic Discharge

Discharge Method		Test Voltage	Result
Indirect Discharge	VCP	±4.0kV	Pass
	HCP	±4.0kV	Pass
Direct Discharge	Contact Discharge	±4.0kV	Pass
	Air Discharge	±2.0kV	Pass
		±4.0kV	Pass
		±8.0kV	Pass

\*2 Test Condition of Radio Frequency Electromagnetic Field

Test Level	Dwell Time	Modulation	Frequency Step	Antenna Polarization	Result
3V/m (80MHz - 1.0GHz)	1.0sec	1kHz	1.0%	Horizontal	Pass
3V/m (1.4GHz – 6.0GHz)		AM 80%		/ Vertical	Pass

# Table of Contents

1. Overview .....	1
1.1 Purpose .....	1
1.2 Features .....	1
1.3 Regulatory Compliance Notices .....	2
1.3.1 European Union regulatory notices.....	2
2. Board Layout .....	3
2.1 Component Layout.....	3
2.2 Overlay Dimensions .....	4
2.3 Component Placement.....	5
3. Board Attachment & Specifications.....	7
3.1 Board Connection Configuration.....	7
4. Headers .....	8
4.1 GPIO Interface.....	8
4.2 CTSU Interface .....	8
5. Circuit Diagram .....	9
6. PCB Layout Diagram .....	10
7. Parts List .....	11
8. Additional Information .....	12

## Self-Capacitance Touch Buttons/Wheels/Slider Board RX Capacitive Touch Evaluation System Application Board

### 1. Overview

#### 1.1 Purpose

This product was developed for use with a CPU board as an evaluation tool for the Renesas RX Capacitive Touch Evaluation System.

#### 1.2 Features

This application board offers the following features:

- Connectable to the CPU board included in the Renesas RX Capacitive Touch Evaluation System
- Same interface as the CPU board included in Renesas RX Capacitive Touch Evaluation System
- Button/wheel/slider board
  - 3 self-capacitance button electrodes
  - 2 types of wheel electrodes (8-electrode and 4-electrode)
  - 1 slider electrode (5 electrodes)
- 3-mm thick acrylic overlay (attached)
- Dimensions (L x W x H) : 145mm x 151mm x 12mm

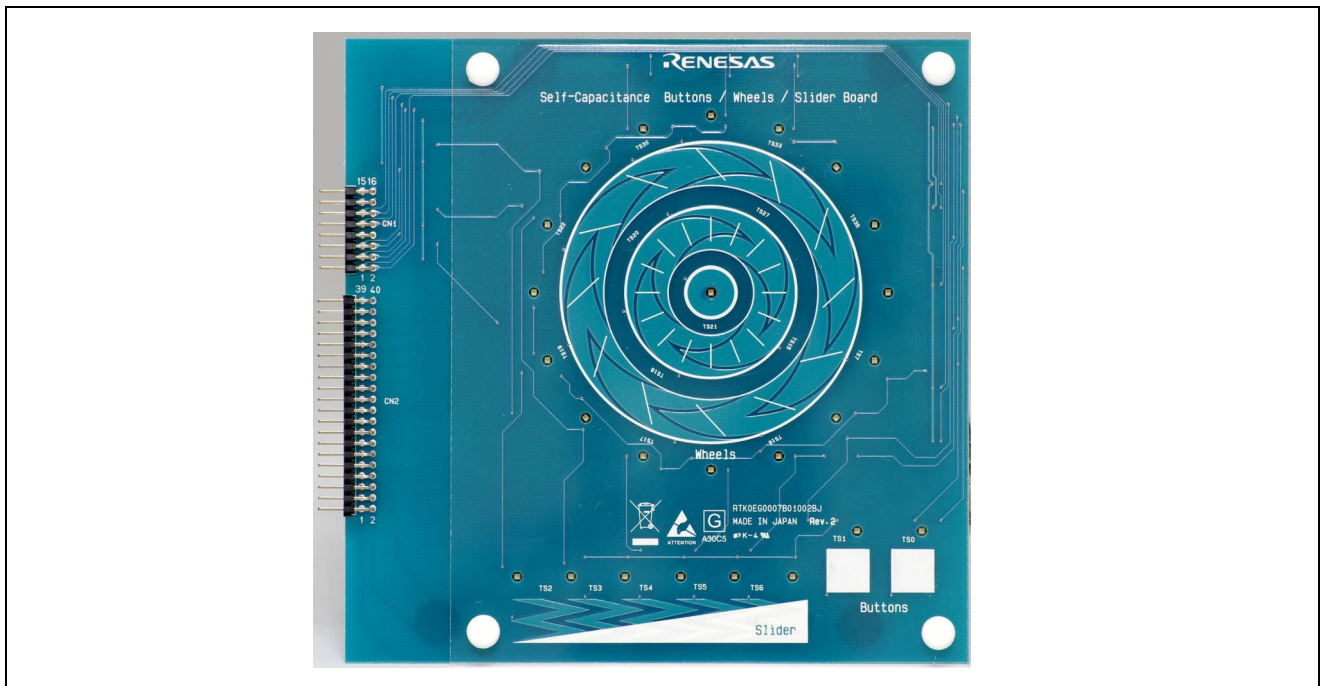


Figure 1.1 Application Board External Dimensions

## 1.3 Regulatory Compliance Notices

### 1.3.1 European Union regulatory notices

This product complies with the following EU Directives. (These directives are only valid in the European Union.)

CE Certifications:

- Electromagnetic Compatibility (EMC) Directive 2014/30/EU  
EN IEC 61326-1: 2021 Group1 Class A

---

**WARNING:** This is a Class A product. This equipment can cause radio frequency noise when used in the residential area. In such cases, the user/operator of the equipment may be required to take appropriate countermeasures under his responsibility.

---

- Information for traceability
  - Authorised representative
    - Name: Renesas Electronics Corporation
    - Address: Toyosu Foresia, 3-2-24, Toyosu, Koto-ku, Tokyo 135-0061, Japan
  - Manufacturer
    - Name: Renesas Electronics Corporation
    - Address: Toyosu Foresia, 3-2-24, Toyosu, Koto-ku, Tokyo 135-0061, Japan
  - Person responsible for placing on the market
    - Name: Renesas Electronics Europe GmbH
    - Address: Arcadiastrasse 10, 40472 Dusseldorf, Germany
  - Trademark and Type name
    - Trademark: Renesas
    - Product name: RX130 Capacitive Touch Evaluation System
    - Type name: RTK0EG0003S02001BJ

Environmental Compliance and Certifications:

- Waste Electrical and Electronic Equipment (WEEE) Directive 2012/19/EU

## 2. Board Layout

### 2.1 Component Layout

Figure 2.1 shows the component layout of the application board.

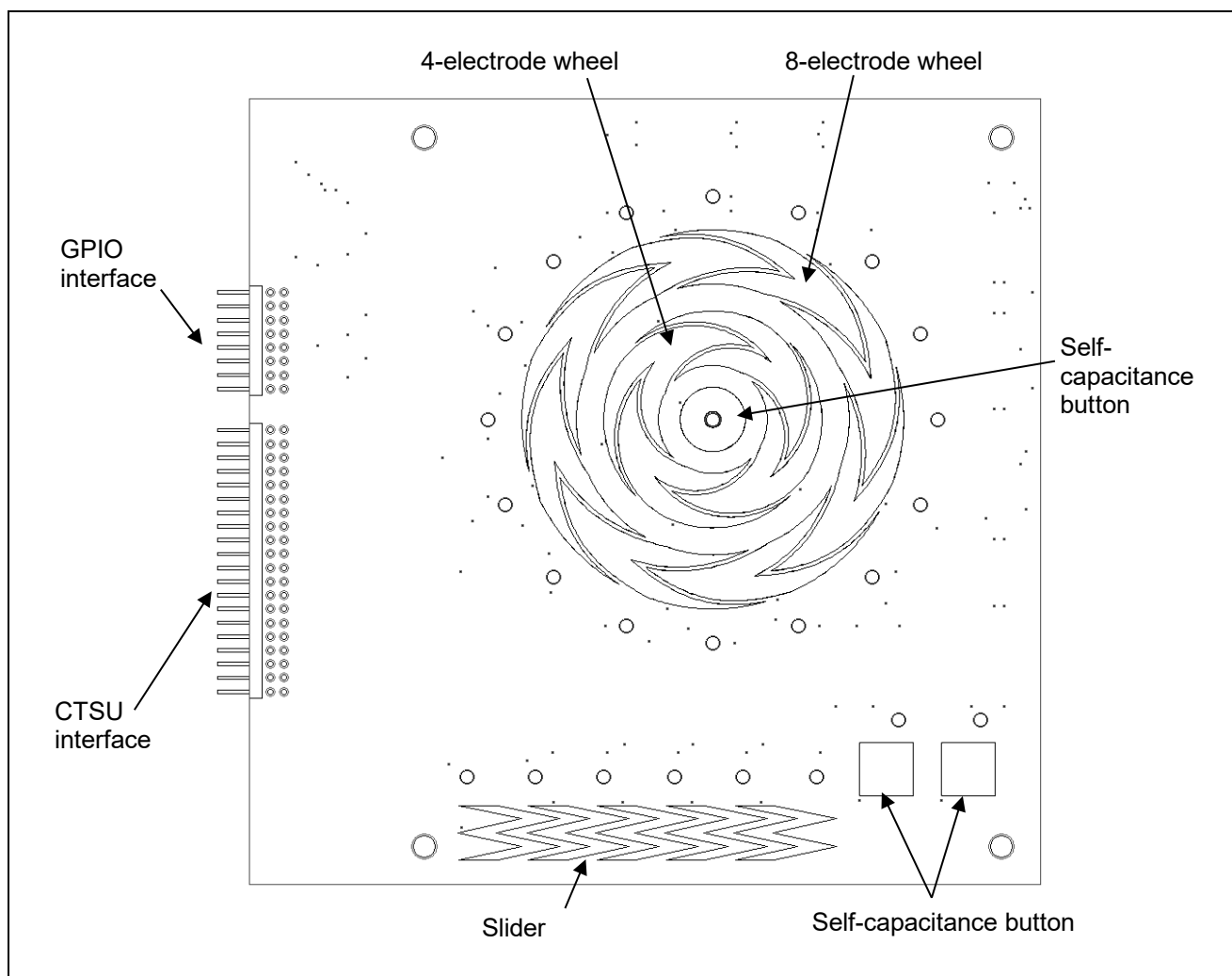


Figure 2.1 Component Layout

## 2.2 Overlay Dimensions

Figure 2.2 shows the dimensions of the overlay attached to the application board. Dimensions are shown in millimeters. Overlay thickness is 3.0 mm.

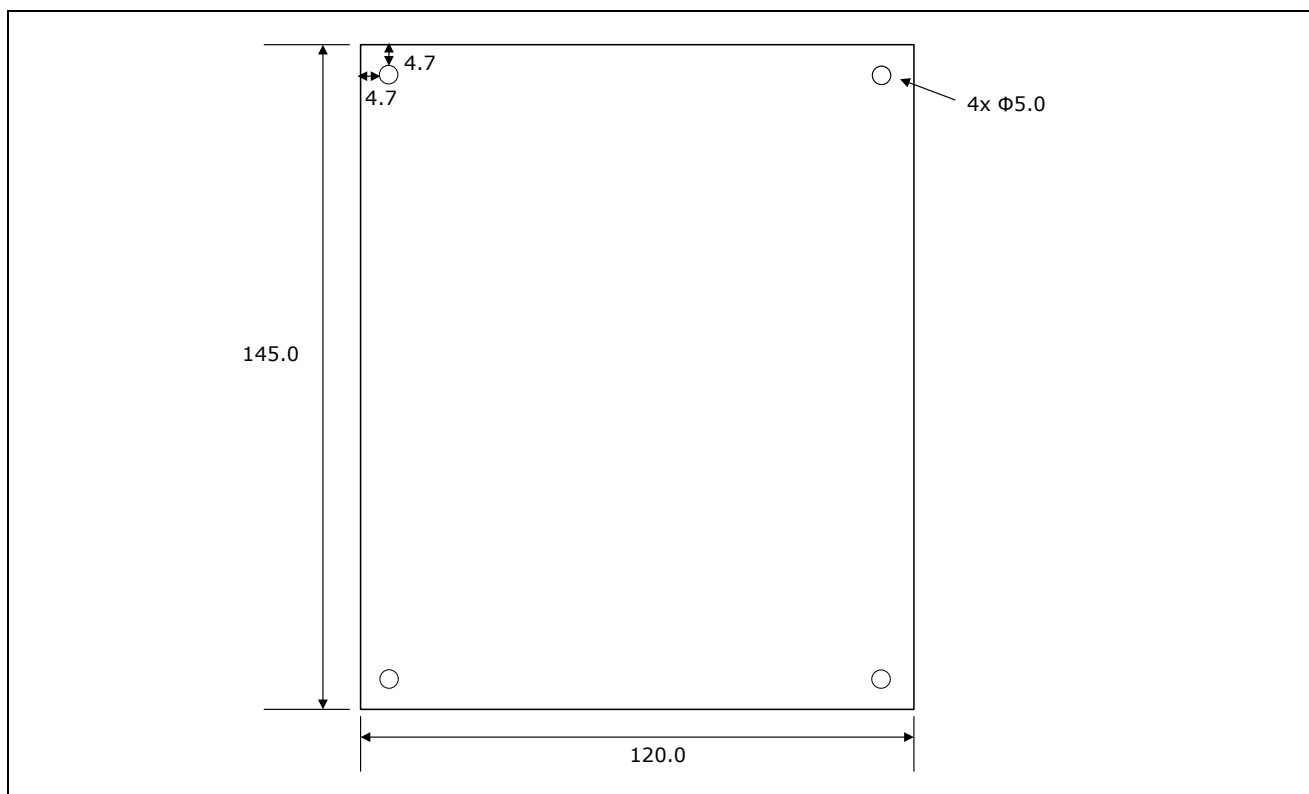


Figure 2.2 Overlay Dimensions



### 2.3 Component Placement

Figures 2.3 and 2.4 show the placement of individual components on the application board.

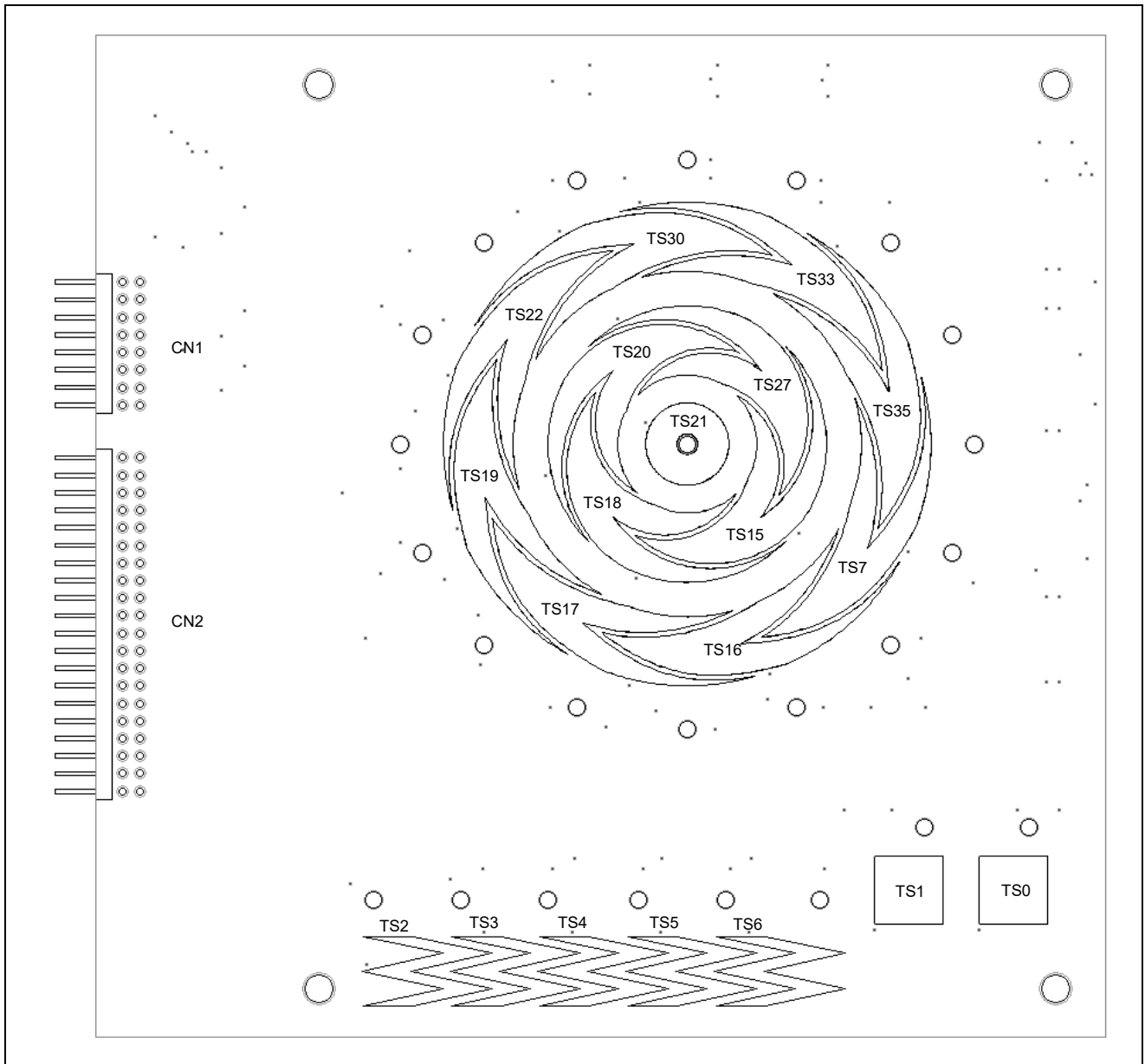


Figure 2.3 Application Board Component Placement (top/component side)

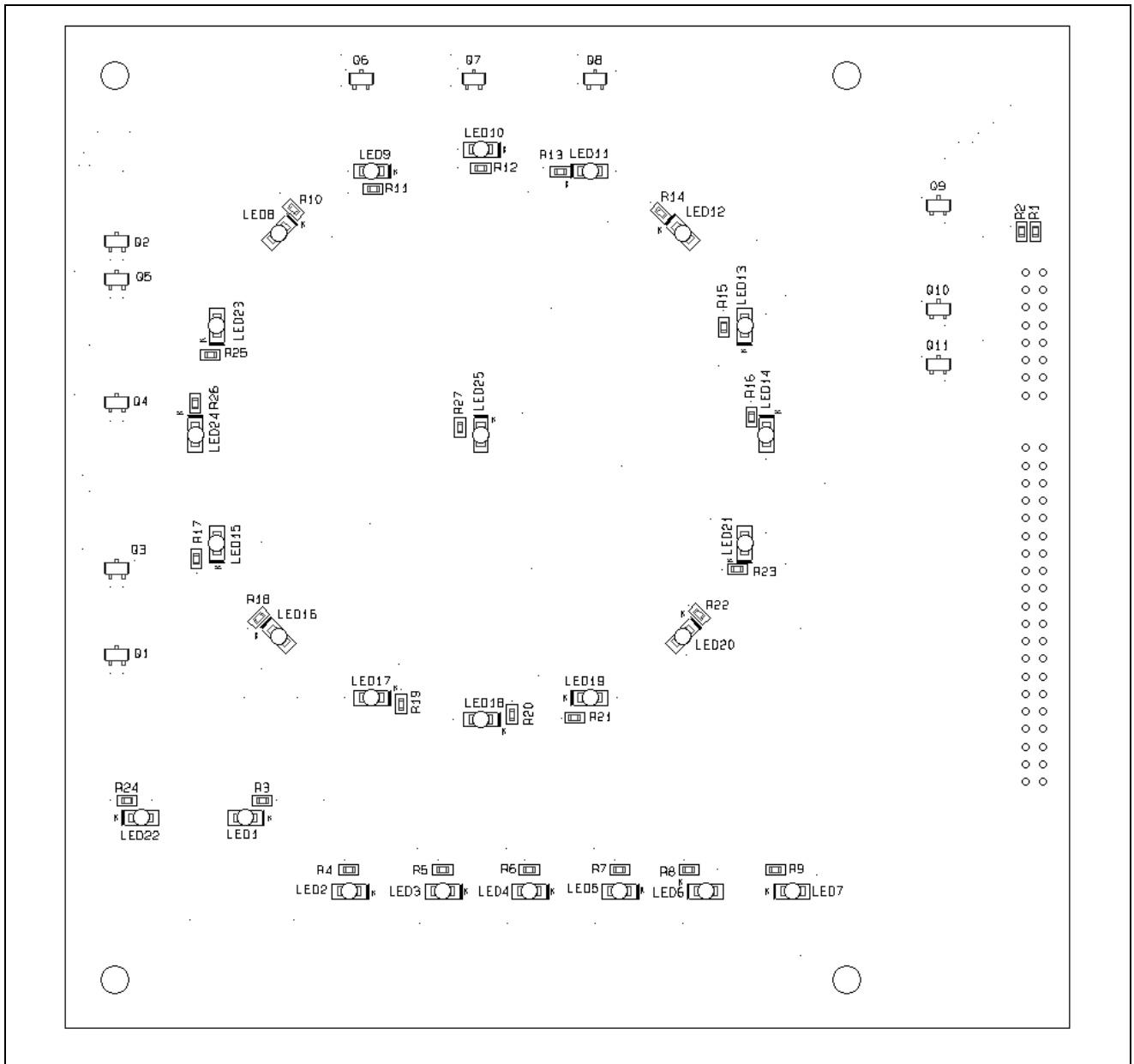


Figure 2.4 Application Board Component Placement (bottom/soldered side)

### 3. Board Attachment & Specifications

#### 3.1 Board Connection Configuration

Insert headers CN1 and CN2 on the application board into the corresponding CN1 and CN2 sockets on the CPU board. Make sure both headers are inserted to match the direction and number of pins on the corresponding connectors and that the pins are fully inserted into the sockets.

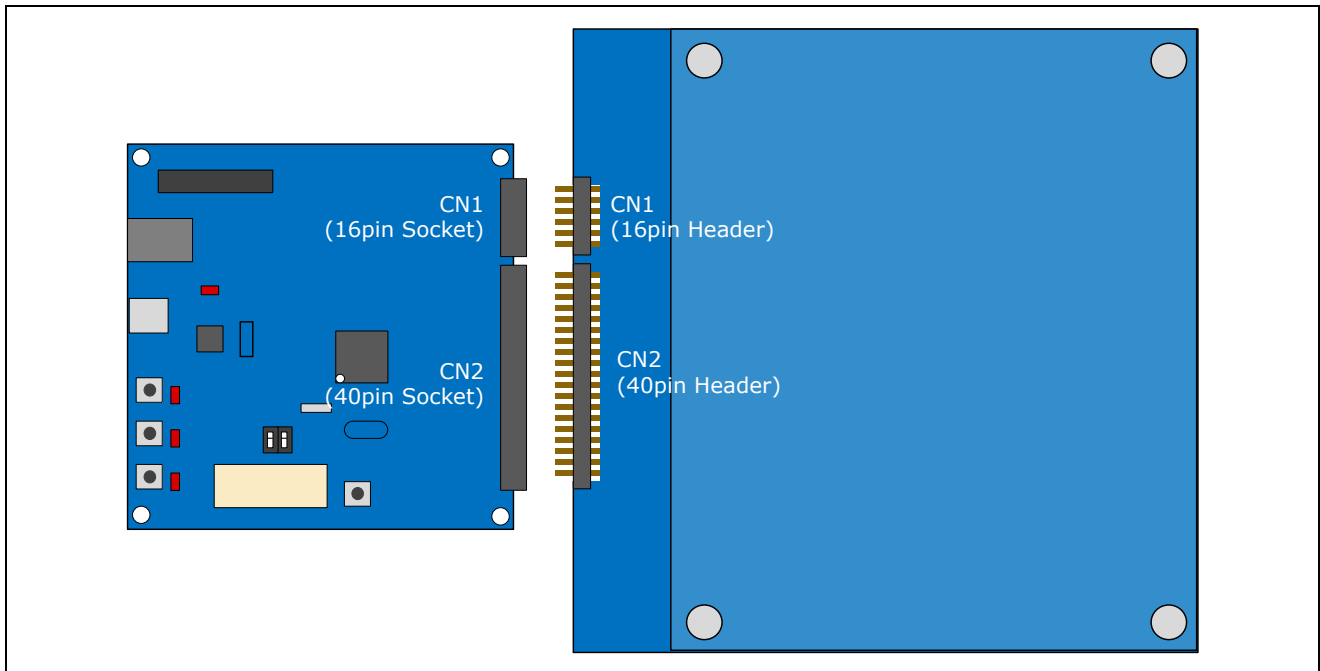


Figure 3.1 Board Connection Direction

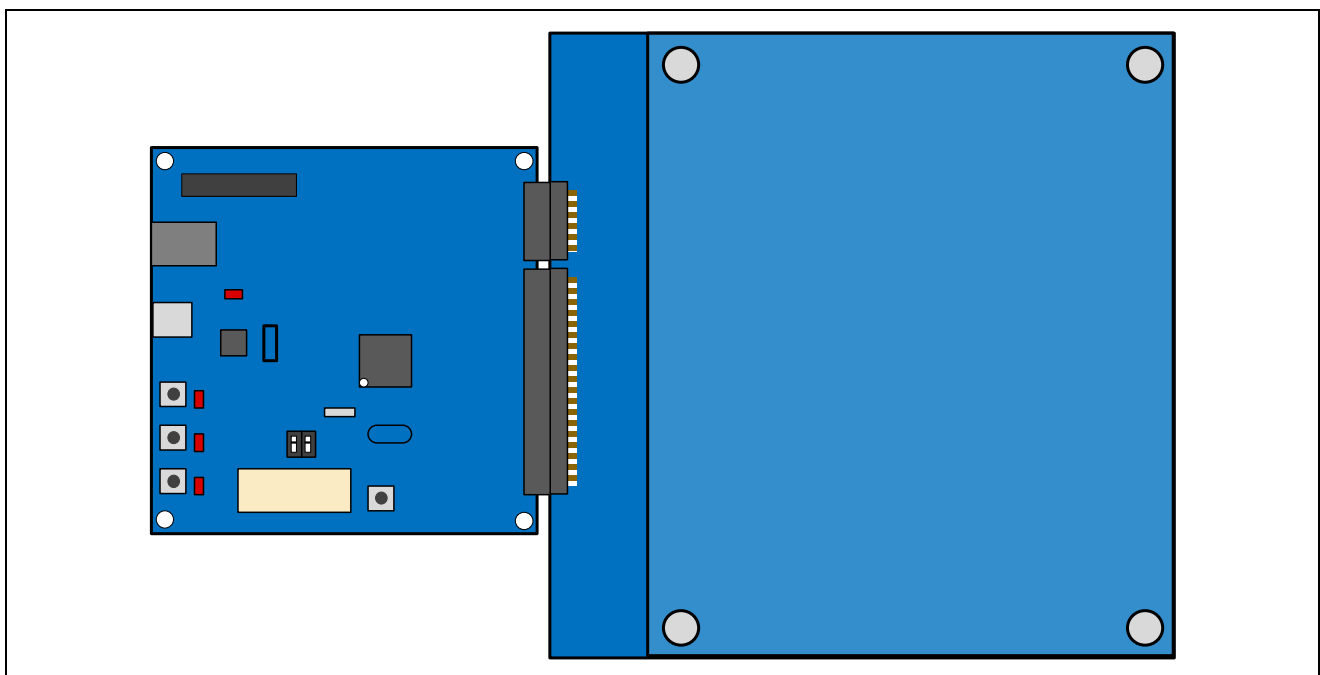


Figure 3.2 Connected Boards

## 4. Headers

Header names (circuit net names) differ for the application board and the CPU board. This section provides details on all headers; the following information can serve as verification tables when using the extension board function.

### 4.1 GPIO Interface

Table 4.1 Application Headers (CN1)

Pin	Header Name	Pin	Header Name
1	LED_LOW0	2	LED_LOW 1
3	LED_LOW 2	4	LED_LOW 3
5	LED_LOW 4	6	LED_LOW 5
7	LED_LOW 6	8	-
9	LED_COL1	10	LED_COL2
11	LED_COL3	12	LED_COL4
13	-	14	ADC
15	VCC_LED	16	VSS_GND

- : Non Connection

### 4.2 CTSU Interface

Table 4.2 Application Headers (CN2)

Pin	Header Name	Pin	Header Name
1	TS0	2	TS1
3	TS2	4	TS3
5	TS4	6	TS5
7	TS6	8	TS7
9	-	10	-
11	-	12	-
13	-	14	-
15	-	16	TS15
17	TS16	18	TS17
19	TS18	20	TS19
21	TS20	22	TS21
23	TS22	24	-
25	-	26	-
27	-	28	TS27
29	-	30	-
31	TS30	32	-
33	-	34	TS33
35	-	36	TS35
37	-	38	-
39	-	40	-

- : Non Connection

## 5. Circuit Diagram

The circuit diagram is shown on the Appendix 1.

## 6. PCB Layout Diagram

The PCB layout diagram is shown on the Appendix 2.

## 7. Parts List

The parts list is shown on the Appendix 3.

## 8. Additional Information

### Technical Support

For more information about how to use the application board, refer to the Renesas website.

For information about the target microcontroller, refer to the corresponding User's Hardware Manual.

For general information on Renesas microcontrollers, visit : <https://www.renesas.com/>

### Trademarks

All trade names and product names used in this document are trademarks or registered trademarks of their respective companies or organizations.

### Copyright

All or part of this manual may be changed without notice.

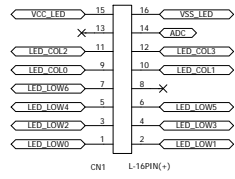
Renesas Electronics Corporation holds the copyright for this document.

Reproduction, in whole or in part, without the written consent of Renesas Electronics Corporation is prohibited.

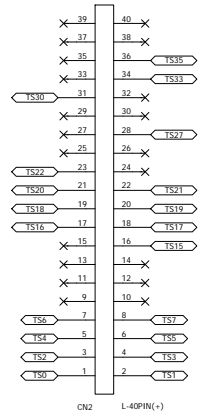
© 2016(2024) Renesas Electronics Corporation.



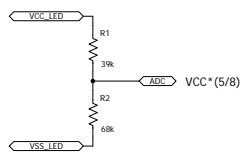
CPU Board Header B



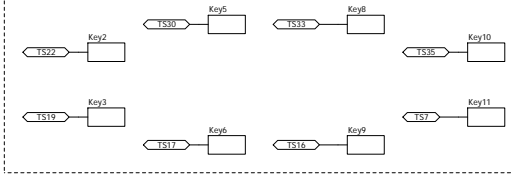
CPU Board Header B



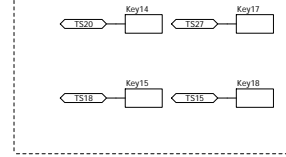
Board ID



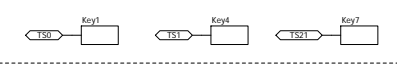
Wheel(8ch)



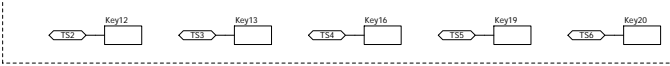
Wheel(4ch)



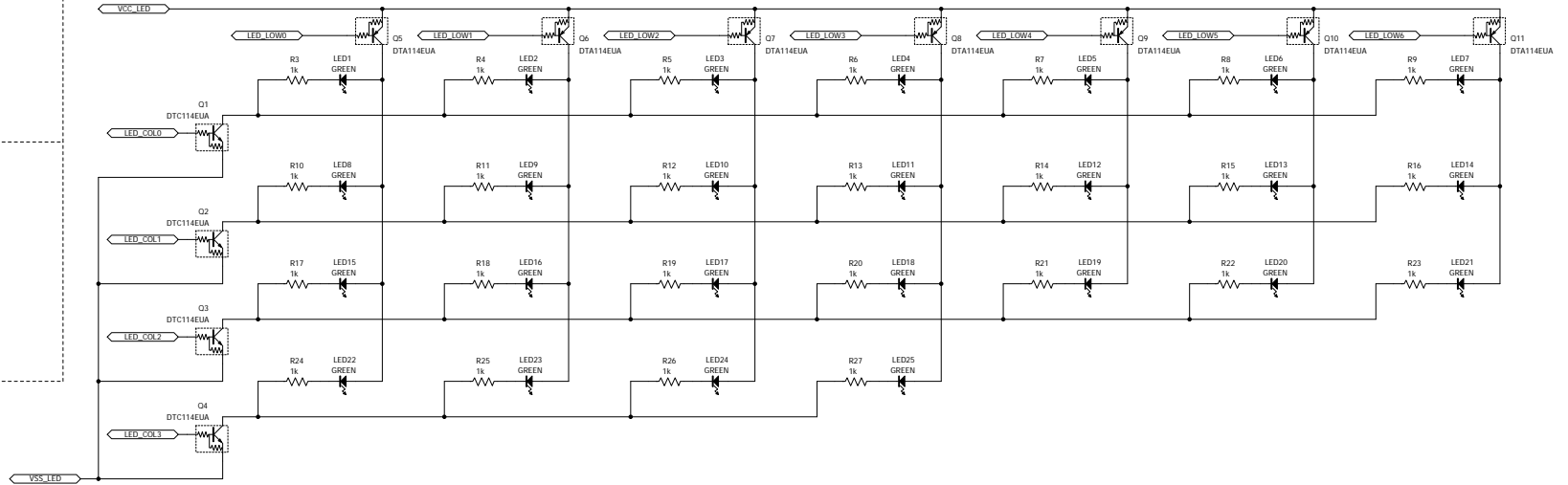
Buttons



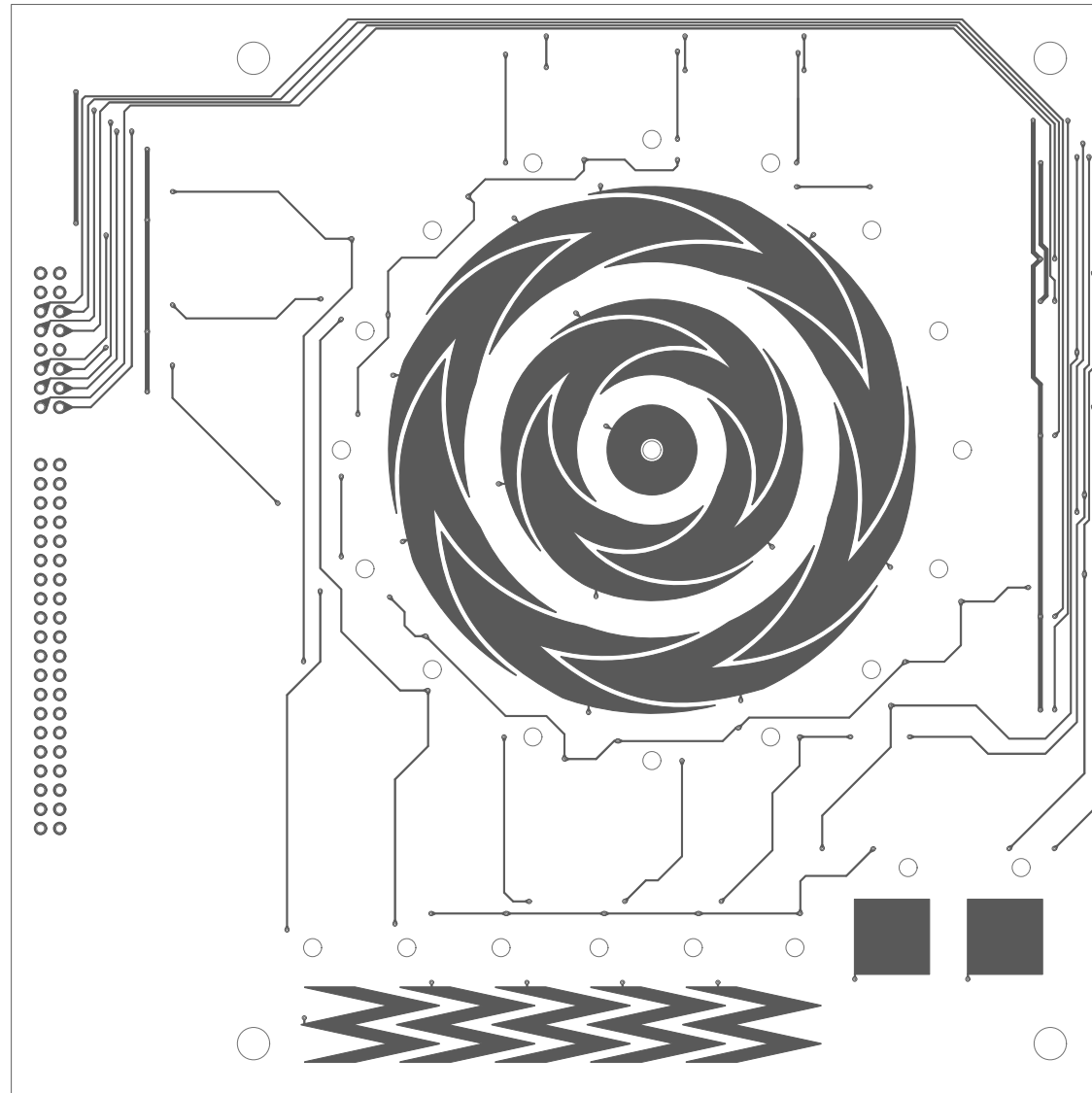
Slider(5ch)



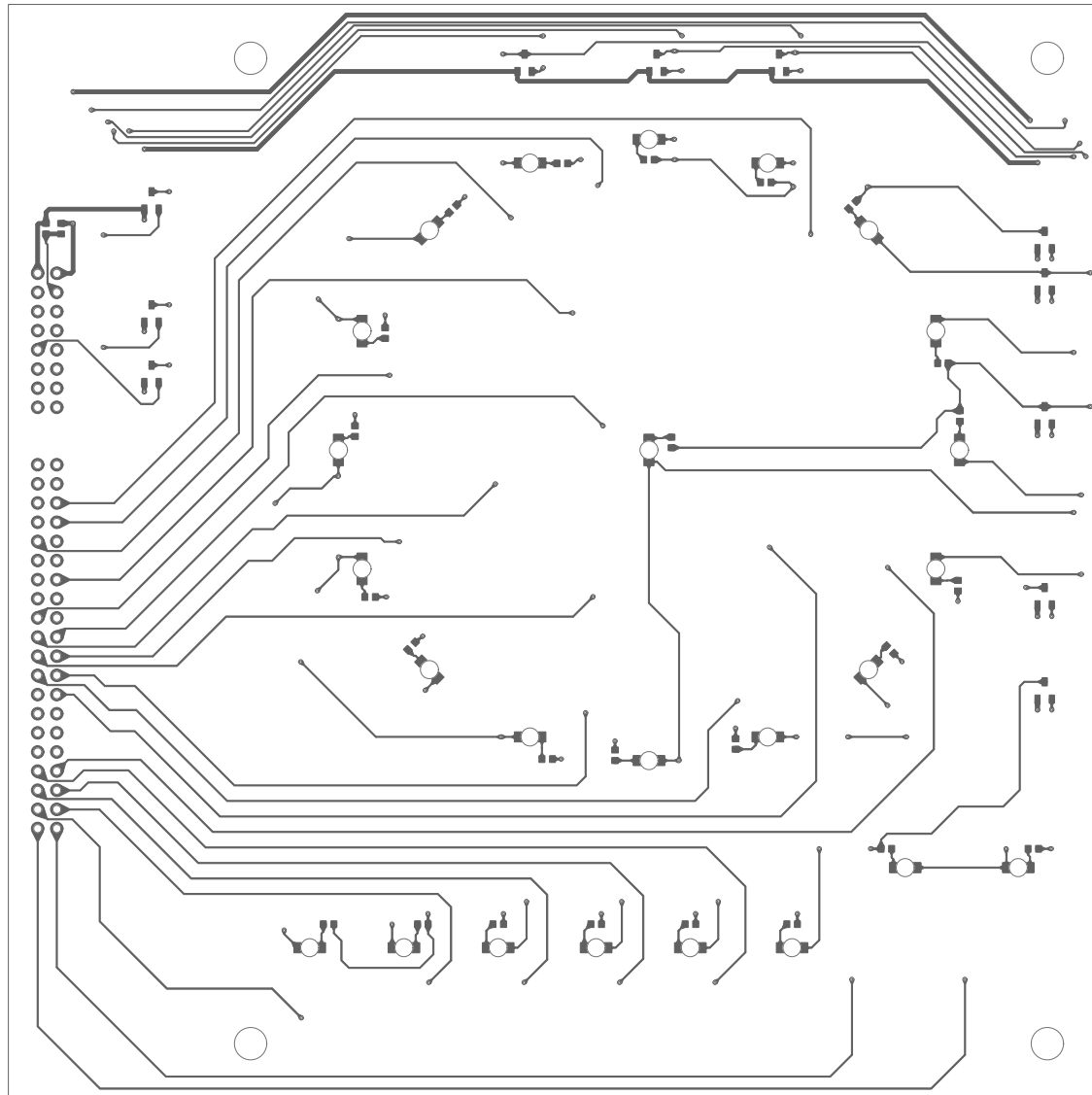
LEDs



Renesas Electronics Corp.			
Title Self Capacitance Button/Wheel/Slider Board			
Size A3	Document Number D-RTX0E00007B01002BJ-B-B	Rev B	
Date: 04.August.2015	Sheet 1/1	IAAS-AB-15-0210-1	



PCB Top-side Layout



PCB Bottom-side Layout



<b>Revision History</b>	<b>Self-Capacitance Touch Buttons/Wheels/Slider Board User's Manual</b>
-------------------------	---

Rev.	Date	Description	
		Page	
1.00	Feb 17, 2016	—	First Edition issued
1.01	Apr 26, 2024	—	Update Notice and How to Use This Manual
		1	Added board dimensions
		2	Added regulatory compliance notices
		12	Update Additional Information

---

Self-Capacitance Touch Button/Wheel/Slider Board User's Manual

Publication Date: Rev.1.00 Feb 17, 2016  
Rev.1.10 Apr 26, 2024

Published by:Renesas Electronics Corporation  
3-2-24 Toyosu, Koto Ward, Tokyo, 135-0061, Japan

---

RX Capacitive Touch Evaluation System  
Self-Capacitance Touch Buttons/Wheels/Slider Board  
User's Manual

