

RL78/G22

Fast Prototyping Board

User's Manual

16

16-Bit Single-Chip Microcontrollers

RL78 Family

All information contained in these materials, including products and product specifications, represents information on the product at the time of publication and is subject to change by Renesas Electronics Corp. without notice. Please review the latest information published by Renesas Electronics Corp. through various means, including the Renesas Electronics Corp. website (<http://www.renesas.com>).

Notice

1. Descriptions of circuits, software and other related information in this document are provided only to illustrate the operation of semiconductor products and application examples. You are fully responsible for the incorporation or any other use of the circuits, software, and information in the design of your product or system. Renesas Electronics disclaims any and all liability for any losses and damages incurred by you or third parties arising from the use of these circuits, software, or information.
2. Renesas Electronics hereby expressly disclaims any warranties against and liability for infringement or any other claims involving patents, copyrights, or other intellectual property rights of third parties, by or arising from the use of Renesas Electronics products or technical information described in this document, including but not limited to, the product data, drawings, charts, programs, algorithms, and application examples.
3. No license, express, implied or otherwise, is granted hereby under any patents, copyrights or other intellectual property rights of Renesas Electronics or others.
4. You shall be responsible for determining what licenses are required from any third parties, and obtaining such licenses for the lawful import, export, manufacture, sales, utilization, distribution or other disposal of any products incorporating Renesas Electronics products, if required.
5. You shall not alter, modify, copy, or reverse engineer any Renesas Electronics product, whether in whole or in part. Renesas Electronics disclaims any and all liability for any losses or damages incurred by you or third parties arising from such alteration, modification, copying or reverse engineering.
6. Renesas Electronics products are classified according to the following two quality grades: "Standard" and "High Quality". The intended applications for each Renesas Electronics product depends on the product's quality grade, as indicated below.

"Standard": Computers; office equipment; communications equipment; test and measurement equipment; audio and visual equipment; home electronic appliances; machine tools; personal electronic equipment; industrial robots; etc.

"High Quality": Transportation equipment (automobiles, trains, ships, etc.); traffic control (traffic lights); large-scale communication equipment; key financial terminal systems; safety control equipment; etc.

Unless expressly designated as a high reliability product or a product for harsh environments in a Renesas Electronics data sheet or other Renesas Electronics document, Renesas Electronics products are not intended or authorized for use in products or systems that may pose a direct threat to human life or bodily injury (artificial life support devices or systems; surgical implantations; etc.), or may cause serious property damage (space system; undersea repeaters; nuclear power control systems; aircraft control systems; key plant systems; military equipment; etc.). Renesas Electronics disclaims any and all liability for any damages or losses incurred by you or any third parties arising from the use of any Renesas Electronics product that is inconsistent with any Renesas Electronics data sheet, user's manual or other Renesas Electronics document.

7. No semiconductor product is absolutely secure. Notwithstanding any security measures or features that may be implemented in Renesas Electronics hardware or software products, Renesas Electronics shall have absolutely no liability arising out of any vulnerability or security breach, including but not limited to any unauthorized access to or use of a Renesas Electronics product or a system that uses a Renesas Electronics product. RENESAS ELECTRONICS DOES NOT WARRANT OR GUARANTEE THAT RENESAS ELECTRONICS PRODUCTS, OR ANY SYSTEMS CREATED USING RENESAS ELECTRONICS PRODUCTS WILL BE INVULNERABLE OR FREE FROM CORRUPTION, ATTACK, VIRUSES, INTERFERENCE, HACKING, DATA LOSS OR THEFT, OR OTHER SECURITY INTRUSION ("Vulnerability Issues"). RENESAS ELECTRONICS DISCLAIMS ANY AND ALL RESPONSIBILITY OR LIABILITY ARISING FROM OR RELATED TO ANY VULNERABILITY ISSUES. FURTHERMORE, TO THE EXTENT PERMITTED BY APPLICABLE LAW, RENESAS ELECTRONICS DISCLAIMS ANY AND ALL WARRANTIES, EXPRESS OR IMPLIED, WITH RESPECT TO THIS DOCUMENT AND ANY RELATED OR ACCOMPANYING SOFTWARE OR HARDWARE, INCLUDING BUT NOT LIMITED TO THE IMPLIED WARRANTIES OF MERCHANTABILITY, OR FITNESS FOR A PARTICULAR PURPOSE.
8. When using Renesas Electronics products, refer to the latest product information (data sheets, user's manuals, application notes, "General Notes for Handling and Using Semiconductor Devices" in the reliability handbook, etc.), and ensure that usage conditions are within the ranges specified by Renesas Electronics with respect to maximum ratings, operating power supply voltage range, heat dissipation characteristics, installation, etc. Renesas Electronics disclaims any and all liability for any malfunctions, failure or accident arising out of the use of Renesas Electronics products outside of such specified ranges.
9. Although Renesas Electronics endeavors to improve the quality and reliability of Renesas Electronics products, semiconductor products have specific characteristics, such as the occurrence of failure at a certain rate and malfunctions under certain use conditions. Unless designated as a high reliability product or a product for harsh environments in a Renesas Electronics data sheet or other Renesas Electronics document, Renesas Electronics products are not subject to radiation resistance design. You are responsible for implementing safety measures to guard against the possibility of bodily injury, injury or damage caused by fire, and/or danger to the public in the event of a failure or malfunction of Renesas Electronics products, such as safety design for hardware and software, including but not limited to redundancy, fire control and malfunction prevention, appropriate treatment for aging degradation or any other appropriate measures. Because the evaluation of microcomputer software alone is very difficult and impractical, you are responsible for evaluating the safety of the final products or systems manufactured by you.
10. Please contact a Renesas Electronics sales office for details as to environmental matters such as the environmental compatibility of each Renesas Electronics product. You are responsible for carefully and sufficiently investigating applicable laws and regulations that regulate the inclusion or use of controlled substances, including without limitation, the EU RoHS Directive, and using Renesas Electronics products in compliance with all these applicable laws and regulations. Renesas Electronics disclaims any and all liability for damages or losses occurring as a result of your noncompliance with applicable laws and regulations.
11. Renesas Electronics products and technologies shall not be used for or incorporated into any products or systems whose manufacture, use, or sale is prohibited under any applicable domestic or foreign laws or regulations. You shall comply with any applicable export control laws and regulations promulgated and administered by the governments of any countries asserting jurisdiction over the parties or transactions.
12. It is the responsibility of the buyer or distributor of Renesas Electronics products, or any other party who distributes, disposes of, or otherwise sells or transfers the product to a third party, to notify such third party in advance of the contents and conditions set forth in this document.
13. This document shall not be reprinted, reproduced or duplicated in any form, in whole or in part, without prior written consent of Renesas Electronics.
14. Please contact a Renesas Electronics sales office if you have any questions regarding the information contained in this document or Renesas Electronics products.

(Note1) "Renesas Electronics" as used in this document means Renesas Electronics Corporation and also includes its directly or indirectly controlled subsidiaries.

(Note2) "Renesas Electronics product(s)" means any product developed or manufactured by or for Renesas Electronics.

(Rev.5.0-1 October 2020)

Corporate Headquarters

TOYOSU FORESIA, 3-2-24 Toyosu,
Koto-ku, Tokyo 135-0061, Japan

www.renesas.com

Trademarks

Renesas and the Renesas logo are trademarks of Renesas Electronics Corporation. All trademarks and registered trademarks are the property of their respective owners.

Contact information

For further information on a product, technology, the most up-to-date version of a document, or your nearest sales office, please visit:

www.renesas.com/contact/

General Precautions in the Handling of Microprocessing Unit and Microcontroller Unit Products

The following usage notes are applicable to all Microprocessing unit and Microcontroller unit products from Renesas. For detailed usage notes on the products covered by this document, refer to the relevant sections of the document as well as any technical updates that have been issued for the products.

1. Precaution against Electrostatic Discharge (ESD)

A strong electrical field, when exposed to a CMOS device, can cause destruction of the gate oxide and ultimately degrade the device operation. Steps must be taken to stop the generation of static electricity as much as possible, and quickly dissipate it when it occurs. Environmental control must be adequate. When it is dry, a humidifier should be used. This is recommended to avoid using insulators that can easily build up static electricity. Semiconductor devices must be stored and transported in an anti-static container, static shielding bag or conductive material. All test and measurement tools including work benches and floors must be grounded. The operator must also be grounded using a wrist strap. Semiconductor devices must not be touched with bare hands. Similar precautions must be taken for printed circuit boards with mounted semiconductor devices.

2. Processing at power-on

The state of the product is undefined at the time when power is supplied. The states of internal circuits in the LSI are indeterminate and the states of register settings and pins are undefined at the time when power is supplied. In a finished product where the reset signal is applied to the external reset pin, the states of pins are not guaranteed from the time when power is supplied until the reset process is completed. In a similar way, the states of pins in a product that is reset by an on-chip power-on reset function are not guaranteed from the time when power is supplied until the power reaches the level at which resetting is specified.

3. Input of signal during power-off state

Do not input signals or an I/O pull-up power supply while the device is powered off. The current injection that results from input of such a signal or I/O pull-up power supply may cause malfunction and the abnormal current that passes in the device at this time may cause degradation of internal elements. Follow the guideline for input signal during power-off state as described in your product documentation.

4. Handling of unused pins

Handle unused pins in accordance with the directions given under handling of unused pins in the manual. The input pins of CMOS products are generally in the high-impedance state. In operation with an unused pin in the open-circuit state, extra electromagnetic noise is induced in the vicinity of the LSI, an associated shoot-through current flows internally, and malfunctions occur due to the false recognition of the pin state as an input signal become possible.

5. Clock signals

After applying a reset, only release the reset line after the operating clock signal becomes stable. When switching the clock signal during program execution, wait until the target clock signal is stabilized. When the clock signal is generated with an external resonator or from an external oscillator during a reset, ensure that the reset line is only released after full stabilization of the clock signal. Additionally, when switching to a clock signal produced with an external resonator or by an external oscillator while program execution is in progress, wait until the target clock signal is stable.

6. Voltage application waveform at input pin

Waveform distortion due to input noise or a reflected wave may cause malfunction. If the input of the CMOS device stays in the area between V_{IL} (Max.) and V_{IH} (Min.) due to noise, for example, the device may malfunction. Take care to prevent chattering noise from entering the device when the input level is fixed, and also in the transition period when the input level passes through the area between V_{IL} (Max.) and V_{IH} (Min.).

7. Prohibition of access to reserved addresses

Access to reserved addresses is prohibited. The reserved addresses are provided for possible future expansion of functions. Do not access these addresses as the correct operation of the LSI is not guaranteed.

8. Differences between products

Before changing from one product to another, for example to a product with a different part number, confirm that the change will not lead to problems. The characteristics of a microprocessing unit or microcontroller unit products in the same group but having a different part number might differ in terms of internal memory capacity, layout pattern, and other factors, which can affect the ranges of electrical characteristics, such as characteristic values, operating margins, immunity to noise, and amount of radiated noise. When changing to a product with a different part number, implement a system-evaluation test for the given product.

How to Use This Manual

1. Purpose and Target Readers

This manual is designed to provide the user with an understanding of the basic specifications and correct usage of this product.

The target users are those who will be using it in evaluating MCUs and debugging programs.

The target readers of this manual require basic knowledge regarding the facilities of MCUs and debuggers.

Particular attention should be paid to the precautionary notes when using the manual. These notes occur within the body of the text, at the end of each section, and in the Handling Precautions section.

The revision history summarizes the locations of revisions and additions. It does not list all revisions. Refer to the text of the manual for details.

The following documents apply to the RL78/G22 Fast Prototyping Board. Be sure to refer to the latest versions of these documents.

Document Type	Description	Document Title	Document No.
User's manual	Hardware specifications	RL78/G22 Fast Prototyping Board User's Manual	R20UT5121EJ (this manual)
Circuit schematics	Circuit schematics	RL78/G22 Fast Prototyping Board Circuit Schematics	R20UT5122EJ
Parts list	Parts list	RL78/G22 Fast Prototyping Board BOM LIST	R12TU0168EJ
User's manual for the hardware	Hardware specifications (pin assignments, memory maps, peripheral function specifications, electrical characteristics, timing charts) of the MCU and descriptions of operation	RL78/G22 User's Manual: Hardware	R01UH0978EJ
Application note	Usage of the RL78 debugging functions using the serial port	RL78 Debugging Functions Using the Serial Port	R20AN0632EJ

2. List of Abbreviations and Acronyms

Abbreviation	Full Form
Arduino® Uno	Connectors compatible with the Arduino® Uno R3 board are mounted on the fast prototyping board.
CPU	Central Processing Unit
DIP	Dual In-line Package
DNF	Do Not Fit
Grove	A connector that is compatible with Grove modules can be mounted on the fast prototyping board.
HOCO	High-Speed On-Chip Oscillator
IDE	Integrated Development Environment
IRQ	Interrupt Request
LOCO	Low-Speed On-Chip Oscillator
LED	Light Emitting Diode
MCU	Micro-controller Unit
n/a (NA)	Not applicable
n/c (NC)	Not connected
PC	Personal Computer
Pmod™	Pmod™ is a trademark of Digilent Inc. The Pmod™ interface specification is the property of Digilent Inc. For the Pmod™ interface specification, refer to the Pmod™ License Agreement page at the Web site of Digilent Inc.
RAM	Random Access Memory
RFP	Renesas Flash Programmer
ROM	Read Only Memory
SPI	Serial Peripheral Interface
TPU	Timer Pulse Unit
UART	Universal Asynchronous Receiver/Transmitter
USB	Universal Serial Bus
WDT	Watchdog timer

All trademarks and registered trademarks are the property of their respective owners.

Table of Contents

1. Overview.....	1
1.1 Purpose.....	1
1.2 Features.....	1
1.3 Preparation.....	1
1.3.1 Installing the e ² studio IDE.....	2
1.3.2 Installing the CS+ IDE.....	2
1.4 Board Specification Table.....	3
1.5 Block Diagram.....	4
2. Board Layout.....	5
3. Parts Layout.....	6
4. Operating Environment.....	7
5. User Circuits.....	8
5.1 Evaluation MCU.....	8
5.2 USB Connector.....	8
5.3 Power LED.....	8
5.4 User LEDs.....	8
5.5 Capacitive Touch Buttons and Touch Slider.....	8
5.6 Arduino® Connectors.....	9
5.7 Pmod™ Connectors.....	12
5.8 MCU Headers.....	14
5.9 Grove Connector.....	18
5.10 Clock.....	18
5.11 Reset Switch.....	19
5.12 User Switch.....	19
5.13 USB-to-Serial Converter and COM Port Debugging.....	19
5.14 USB-to-Serial Converter Reset Header.....	20
5.15 Power-Supply Selection Header.....	21
5.16 External Power Supply.....	22
5.17 Current Measurement Header.....	23
5.18 Pattern for Cutting the I/O Power Supply for the USB-to-Serial Converter.....	24
5.19 Emulator Connector.....	25
6. Handling Precautions.....	27
6.1 Power to be Supplied.....	27
6.2 Remodeling the Board.....	27
6.3 Power Supplies and Usage Conditions.....	29
6.4 Note on Using QE for Capacitive Touch.....	30
6.5 Note on Using P12/TxD0.....	32
7. Developing Code.....	33
7.1 Using COM Port Debugging with the e ² studio.....	33
7.2 Using COM Port Debugging with CS+.....	34
8. Additional Information.....	35

1. Overview

This user's manual describes the RL78/G22 Fast Prototyping Board (RTK7RLG220C00000BJ) (hereinafter referred to as "this product").

1.1 Purpose

This product is an evaluation tool for a Renesas MCU. This user's manual describes the hardware specifications, ways of setting switches, and the basic setup procedure.

1.2 Features

This product can handle the following tasks.

- Programming of the Renesas MCU
- Debugging of user code
- User circuits for switches and LEDs
- Capacitive touch button x 2
- Capacitive touch slider (with a three-electrode configuration) x 1
- Pmod™ connector*
- Arduino® connector*
- Grove connector*

Note: We do not guarantee connection to all types of these connectors. For details on the connector specifications, refer to the descriptions in this document.

1.3 Preparation

- Watch the video on "Getting Started with Fast Prototyping Board for RL78 Family".
<https://www.renesas.com/video/getting-started-fast-prototyping-board-rl78-family>
- Install the integrated development environment (IDE) and required software on the host PC.
<https://www.renesas.com/development-tools>
- Prepare a micro-USB cable for data transfer.
- Refer to the following Web page and prepare the E2 emulator if required.
<https://www.renesas.com/e2>
- Refer to the following Web page and prepare the E2 emulator Lite if required.
<https://www.renesas.com/e2lite>

1.3.1 Installing the e² studio IDE

For details on the procedure for installation, watch the video on “e² studio Quick Start Guide Video for RL78 Family - Installation”.

<https://www.renesas.com/software-tool/rl78-software-tool-course>

1. Download the installer for the latest version of the e² studio from the following Web page.
<https://www.renesas.com/software-tool/e-studio>
2. Unzip the downloaded zip file and run the installer file.
3. Select “RL78” for [Device Families].
4. Confirm that the latest version of Renesas CCRL has been selected as the compiler.
5. Select the [I accept the terms of the Software Agreements] checkbox and then click on the [Install] button.
6. When the software produces an installer window in the middle of installation, proceed with installation according to the instructions from the wizard.
7. After installation has finished, click on the [OK] button.

1.3.2 Installing the CS+ IDE

1. Download the installer for the latest version of CS+ for CC from the following Web page.
<https://www.renesas.com/software-tool/cs>
2. Unzip the downloaded zip file and run the installer file.
3. Click on [Begin CS+ Startup].
4. Confirm that [Tools for RL78 family] has been selected.
5. After installation has finished, click on the [OK] button.

1.4 Board Specification Table

Table 1-1 shows the board specifications.

Table 1-1 Board Specification Table

Item	Specification	
Evaluation MCU (RL78/G22)	Part No.: R7F102GGE2DFB	
	Package: 48-pin LQFP	
	On-chip memory: 64-KB ROM, 4-KB RAM, 2-KB data flash memory	
Board size	53.34 mm x 99.06 mm	
Power-supply voltage	VDD: 1.6 V to 5.5 V	
Power-supply circuit*2	USB connector: VBUS (5 V) or 3.3 V (default)	
	External power supply: 1.6 V to 5.5 V	
	E2 emulator or E2 emulator Lite	
Current drawn	Max. 200 mA	
Main clock*1	OSC1: Crystal oscillator (surface-mount technology (SMT)) for the main system clock	
	OSC2: Crystal oscillator or ceramic resonator (lead type) for the main system clock	
Sub-clock	OSC3: Crystal oscillator (SMT) for the sub-clock	
Push switches	Reset switch x 1	
	User switch x 1	
LEDs	Power indicator: green x 1	
	User: green x 2	
Capacitive touch button	2	A jumper block for switching the QE serial connection
Capacitive touch slider	1 (with a three-electrode configuration)	
USB connector	Connector: Micro USB Type-B	
Arduino® connectors	Connectors: 6 pins x 1, 8 pins x 2, 10 pins x 1 The interfaces are compatible with the Arduino® UNO R3 board.	
Pmod™ connectors	Connectors: Angle type, 12 pins x 2	
MCU headers*1	Headers: 12 pins (2 pins x 6 columns) x 4	
USB-to-serial converter	Used as the interface with the RL78 COM port debug tool. FT232RQ from FTDI x 1	
USB-to-serial converter reset header	Header: 2 pins x 1 (open-circuit by default)	
Current measurement header*1	Headers: 2 pins x 1	
Power-supply selection header*2	Header: 3 pins x 1	
Emulator connector*1	14-pin connector for connecting an E2 emulator or E2 emulator Lite Emulator selection headers: 2 pins x 3	
Grove connector	Interface for Grove modules I2C: 1	

Notes: 1. This part is not mounted.

2. The intended source of power for the evaluation MCU on the board as shipped is VBUS (5 V). Setting a jumper is required if power is to be supplied from other sources. For details, refer to Chapter 5, User Circuits.

1.5 Block Diagram

Figure 1-1 shows the block diagram of this product.

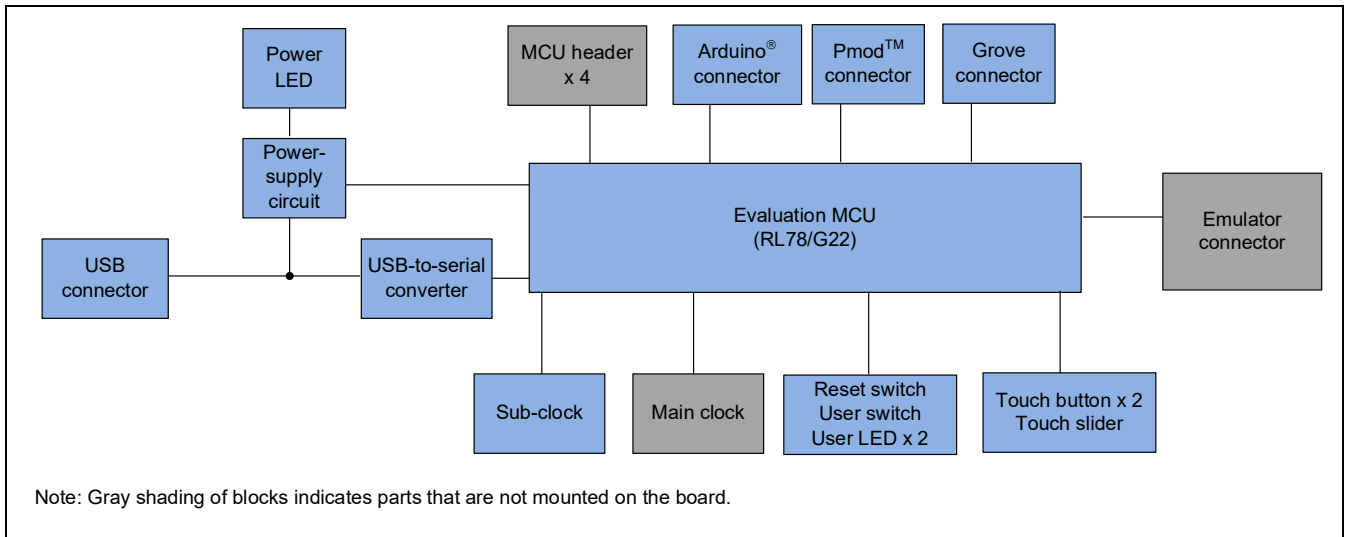


Figure 1-1 Block Diagram

2. Board Layout

Figure 2-1 shows the external appearance of the top side of this product.

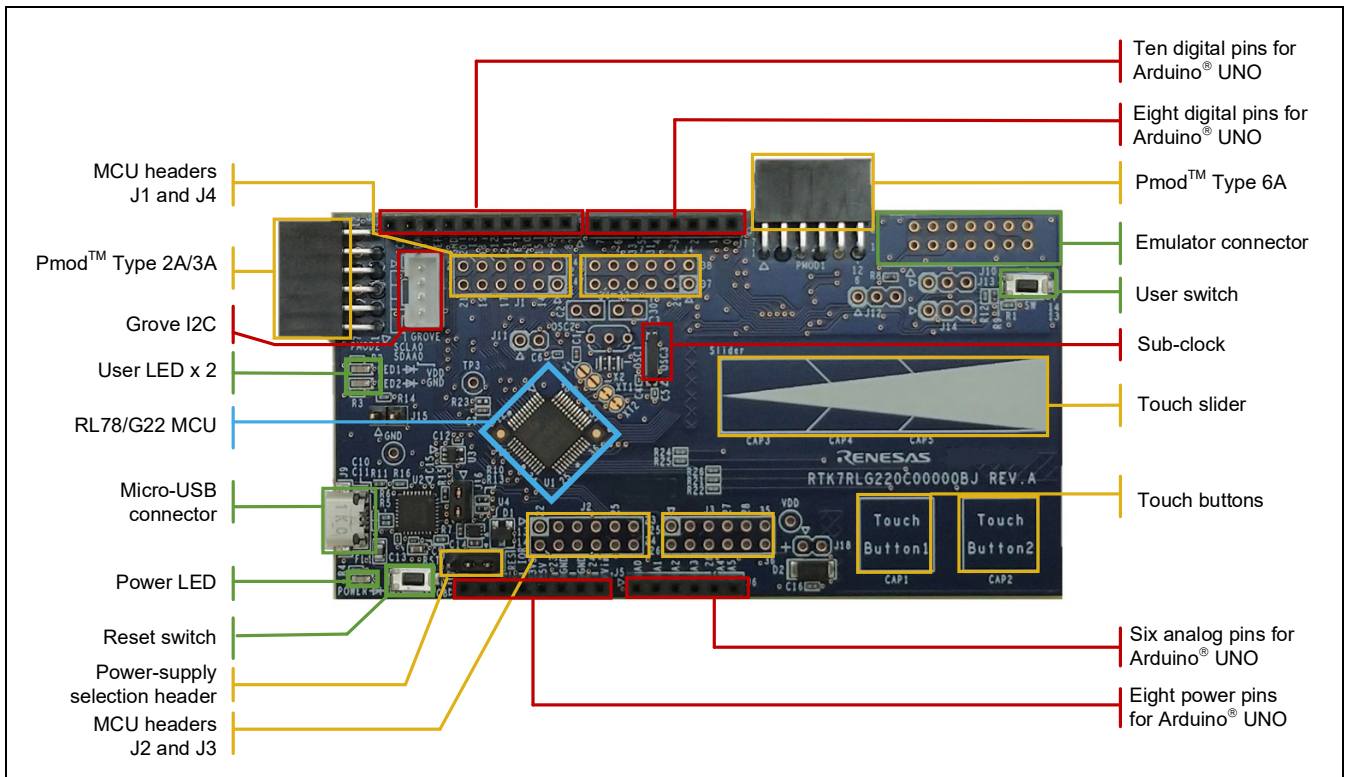


Figure 2-1 Board Layout (Top Side)

3. Parts Layout

Figure 3-1 shows the parts layout of this product.

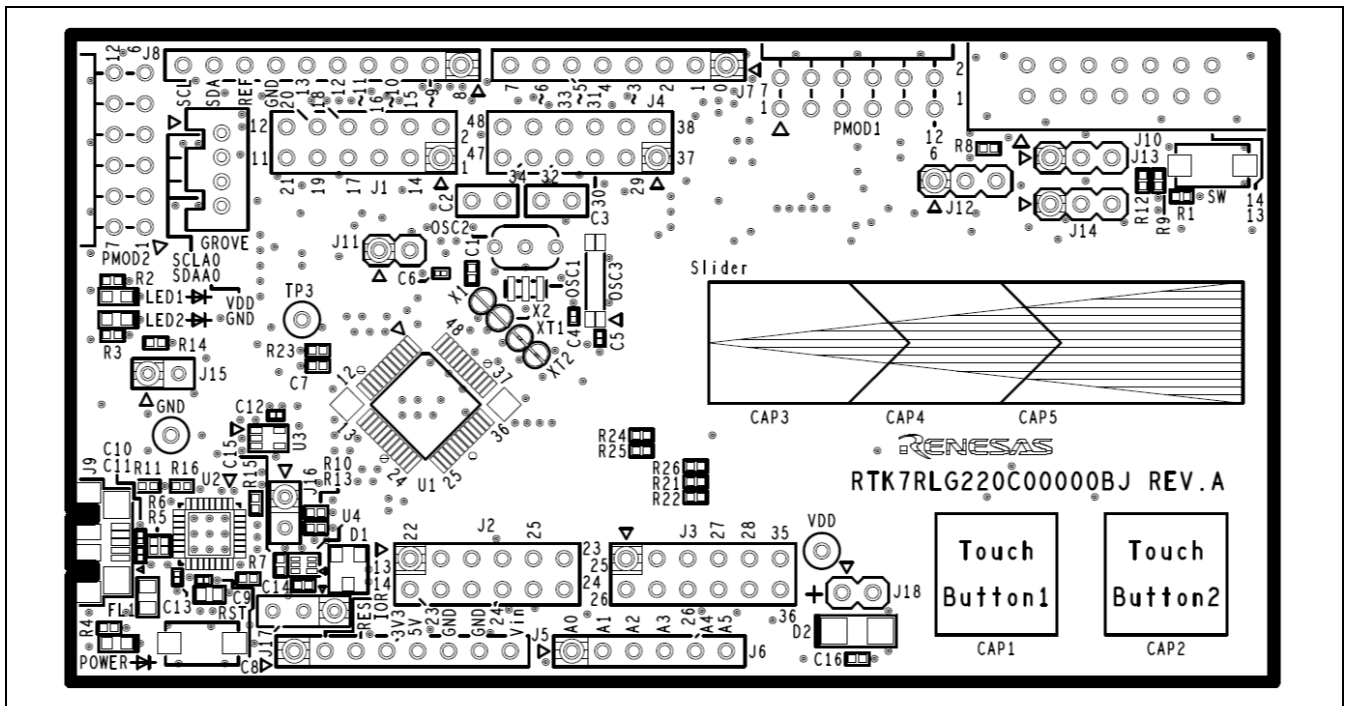


Figure 3-1 Parts Layout

Figure 3-2 shows the external dimensions of this product.

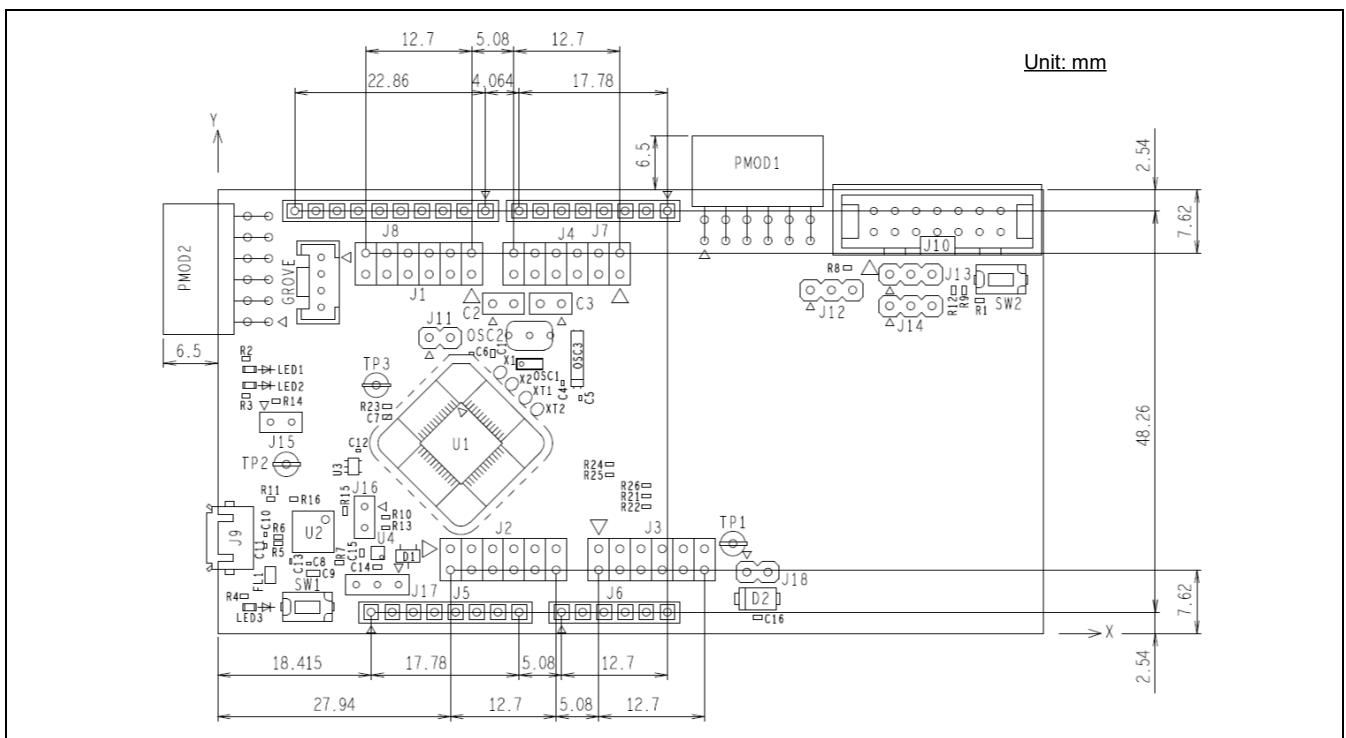


Figure 3-2 External Dimensions

4. Operating Environment

Figure 4-1 shows the operating environment of this product. Install the IDE on the host PC.

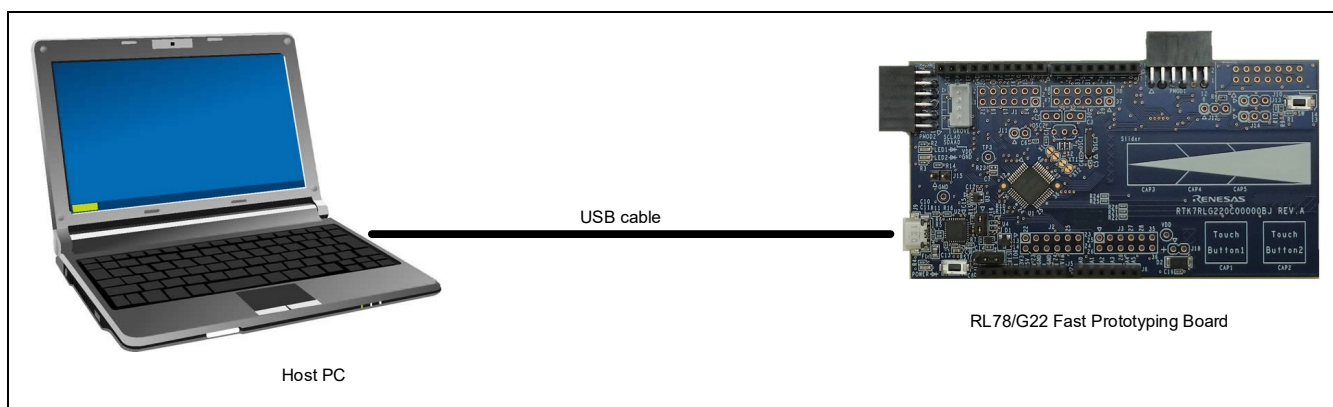


Figure 4-1 Operating Environment

5. User Circuits

5.1 Evaluation MCU

The specifications for the power supply, system clock, and reset of the evaluation MCU (RL78/G22) at the time of shipment are as follows.

- Power supply: 5 V (VBUS) supplied from the USB (including the analog power supply)
- System clock: Operation with an on-chip oscillator
- Reset: Directed by the reset switch or IDE

5.2 USB Connector

The connector shape is micro-USB Type-B. It serves as a power-supply input and an interface for communications with the RL78 COM port debug tool (through USB-to-serial conversion). Connect the USB connector to the host PC by a USB cable. If the power supply on the host side is on, the power is supplied to this product at the same time as connection of the cable.

Note: The package does not include a USB cable. Do not connect a USB cable while the emulator is supplying power.

5.3 Power LED

While the power LED is illuminated, VDD power is being supplied. The LED is green.

Note: The LED may not be illuminated when the power supply voltage is 2.2 V or lower.

5.4 User LEDs

The optional user LEDs can be used for any purpose. LED1 and LED2 are mounted on the board and are respectively connected to the following ports. The LEDs are green.

- LED1: Pin 3, connected to port P62
- LED2: Pin 4, connected to port P63

Note: The LED may not be illuminated when the power supply voltage is 2.2 V or lower.

5.5 Capacitive Touch Buttons and Touch Slider

The capacitive touch buttons and touch slider can be used for the user's desired purpose. Two electrodes (touch button 1 and touch button 2) and one slider (with a three-electrode configuration) are mounted on the board and are respectively connected to the following ports.

- Touch button 1: Pin 26, connected to ports P26, TS24, and CAP1
- Touch button 2: Pin 27, connected to ports P25, TS23, and CAP2
- Slider: Pin 30, connected to ports P22, TS20, and CAP3
Pin 29, connected to ports P23, TS21, and CAP4
Pin 28, connected to ports P24, TS22, and CAP5

P30 (pin 12) is connected for the TSCAP pin function by default.

Note: The condition for operating voltage of CTSU2La is VDD = 1.8 V to 5.5 V. Use capacitive touch buttons that produce voltages within the range VDD = 1.8 V to 5.5 V.

5.6 Arduino® Connectors

The specification of the Arduino® connectors is on the assumption that Arduino® shields are to be connectable. However, we do not guarantee connection to all types of Arduino® shield. Confirm the specifications of this product against any Arduino® shield you intend to use.

Figure 5-1, Table 5-1, and Table 5-2 show the pin assignments of the Arduino® connectors.

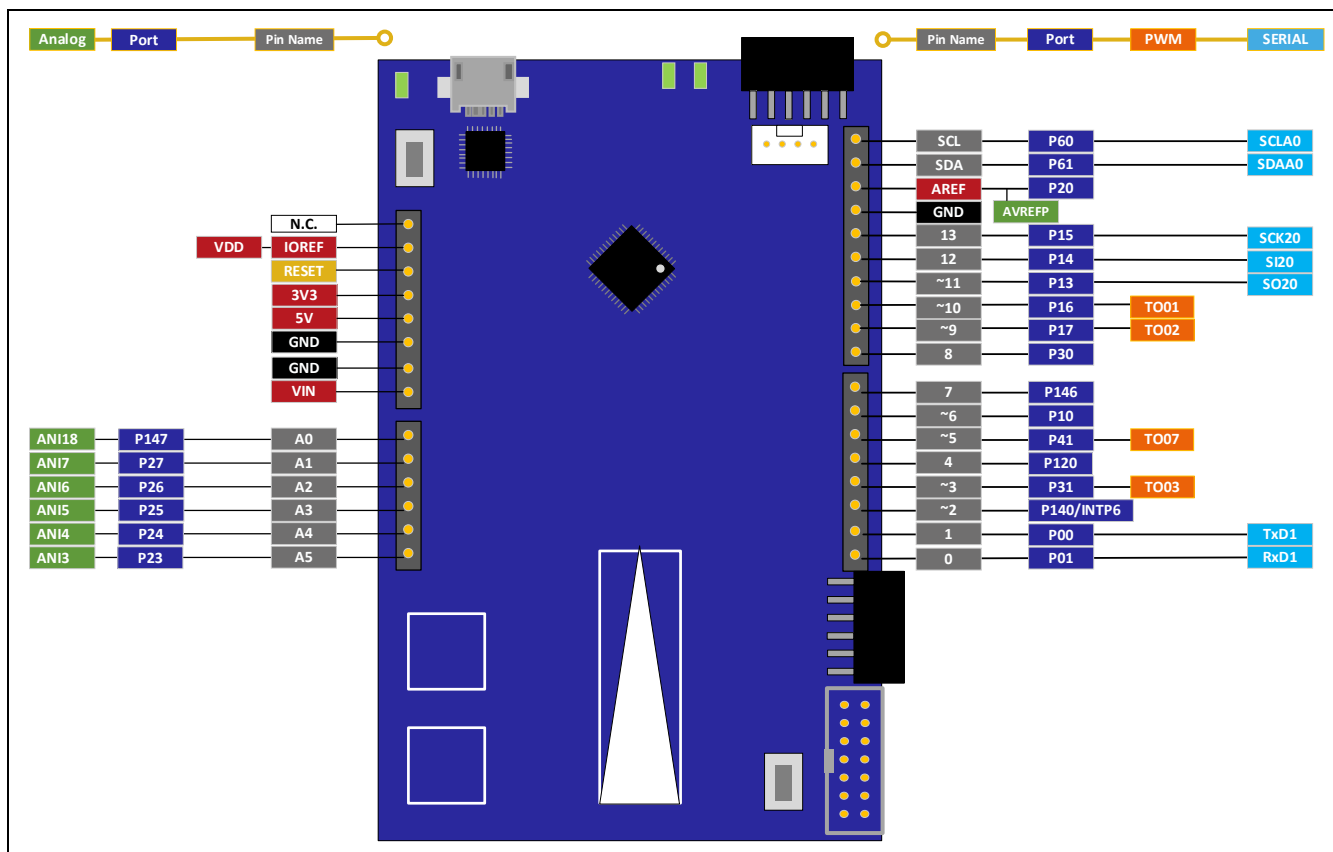


Figure 5-1 Pin Assignments of the Arduino® Connectors

Table 5-1 Pin Assignments of the Arduino® Connectors (1/2)

Part No. in the Circuit Schematics	Name of Arduino® Signal*	RL78/G22					
		Pin	Power Supply	Port	Analog	PWM	Serial
J5-1	N.C.	-	-	-	-	-	-
J5-2	IOREF	48	VDD	-	-	-	-
J5-3	RESET	40	-	-	-	-	-
J5-4	3V3	-	-	-	-	-	-
J5-5	5V	-	-	-	-	-	-
J5-6	GND	47	VSS	-	-	-	-
J5-7	GND	47	VSS	-	-	-	-
J5-8	VIN	-	-	-	-	-	-
J6-1	A0	24	-	P147	ANI18	-	-
J6-2	A1	25	-	P27	ANI7	-	-
J6-3	A2	26	-	P26	ANI6	-	-
J6-4	A3	27	-	P25	ANI5	-	-
J6-5	A4	28	-	P24	ANI4	-	-
J6-6	A5	29	-	P23	ANI3	-	-

Note: The names of the signals correspond to the pin numbers for the Arduino® IDE. The Arduino® IDE will be supported in the future.

Table 5-2 Pin Assignments of the Arduino® Connectors (2/2)

Part No. in the Circuit Schematics	Name of Arduino® Signal*1	RL78/G22					
		Pin	Power Supply	Port	Analog	PWM	Serial
J7-1	RX/0	34	-	P01	-	-	RxD1
J7-2	TX/1	35	-	P00	-	-	TxD1
J7-3	2	36	-	P140/INTP6	-	-	-
J7-4	~3	5	-	P31	-	TO03	-
J7-5	4	37	-	P120	-	-	-
J7-6	~5	38	-	P41	-	TO07	-
J7-7	~6	22	-	P10	-	-	-
J7-8	7	23	-	P146	-	-	-
J8-1	8	12	-	P30	-	-	-
J8-2	~9	15	-	P17	-	TO02	-
J8-3	~10	16	-	P16	-	TO01	-
J8-4	~11	19	-	P13	-	-	SO20
J8-5	12	18	-	P14	-	-	SI20
J8-6	13	17	-	P15	-	-	SCK20
J8-7	GND	-	VSS	GND	-	-	-
J8-8	ADREF	32	-	P20*2	AVREFP	-	-
J8-9	SDA	2	-	P61	-	-	SDAA0
J8-10	SCL	1	-	P60	-	-	SCLA0

Notes: 1. The names of the signals correspond to the pin numbers for the Arduino® IDE. The Arduino® IDE will be supported in the future.

2. P20 is connected to VDD by default. When P20 is disconnected from VDD, cut the given pattern for cutting [AVREFP].

5.7 Pmod™ Connectors

The specification of the Pmod™ connectors is on the assumption that Pmod™ modules are to be connectable.

Pmod1 is assumed to be connected to the Pmod™ Interface Type 6A module*.

Pmod2 is assumed to be connected to the Pmod™ Interface Type 2A or 3A module*.

Note: For details on the Pmod™ module from Renesas, refer to the Web site at:

<https://www.renesas.com/quickconnect>.

However, we do not guarantee connection to all types of Pmod™ module. Confirm the specifications of this product against any Pmod™ module you intend to use.

Figure 5-2, Table 5-3 and Table 5-4 show the pin assignments of the Pmod™ connectors.

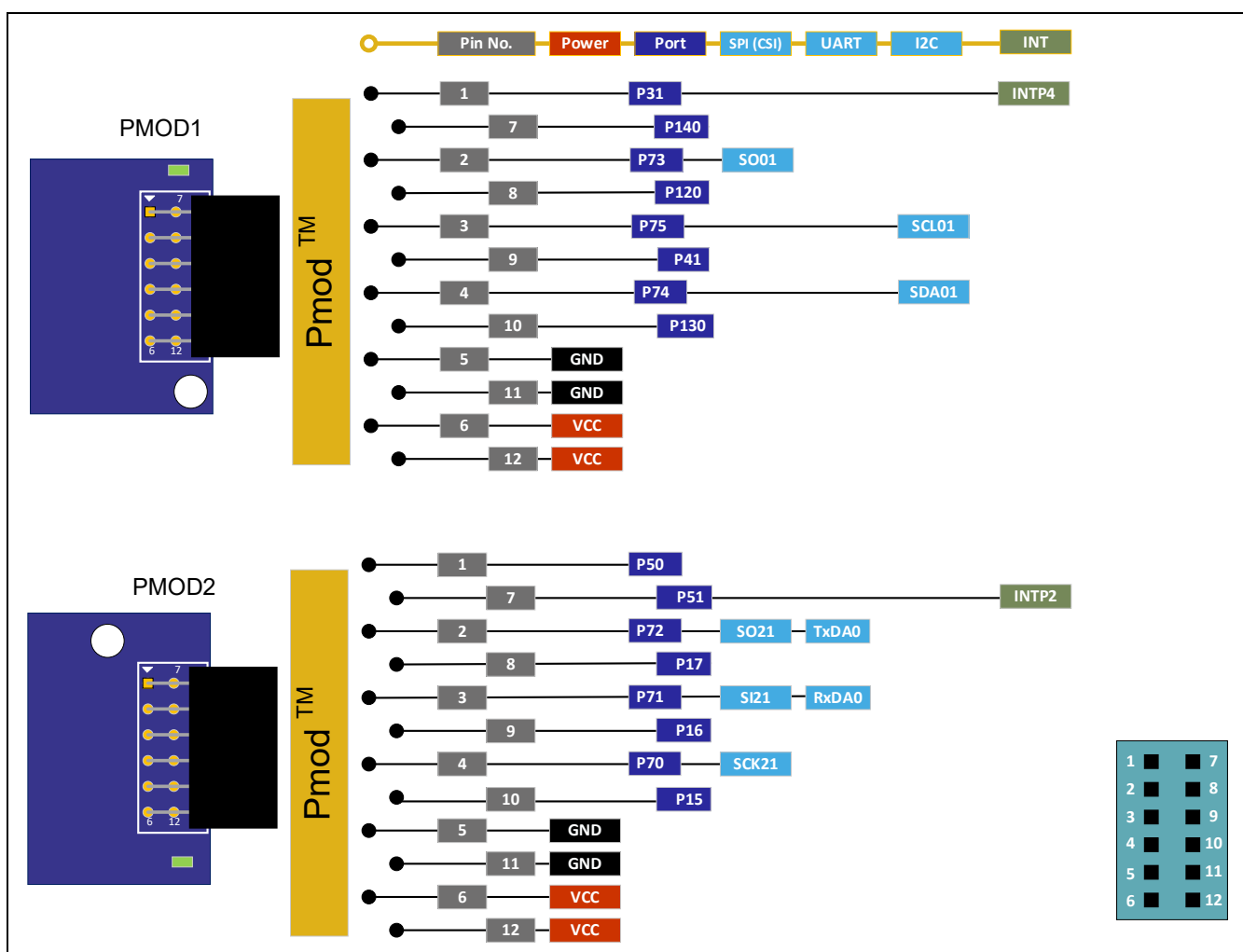


Figure 5-2 Pin Assignments of the Pmod™ Connectors

Table 5-3 Pin Assignments of Pmod™ (Pmod1)

Pin No. of Pmod™	Name of Pmod™ Signal	RL78/G22					
		Pin	Power Supply	Port	SPI (CSI)	UART	I2C
1	INT	5	-	P31	-	-	INTP4
2	RESET	8	-	P73	SO20	-	-
3	SCL	6(7)	-	P75	(P74/SI01)*	-	SCL01
4	SDA	7(6)	-	P74	(P75/SCK01)*	-	SDA01
5	GND	—	VSS	-	-	-	-
6	VCC	—	VDD	-	-	-	-
7	IO1	36	-	P140	INTP6	-	-
8	IO2	37	-	P120	-	-	-
9	IO3	38	-	P41	-	-	-
10	IO4	33	-	P130	-	-	-
11	GND	-	EVSS	-	-	-	-
12	VCC	-	VDD	-	-	-	-

Note: These signals can be used as Type 2A (CSI) by cutting the patterns for cutting [SCL01] and [SDA01] and short-circuiting the short-circuit pads [SI01] and [SCK01].

Table 5-4 Pin Assignments of Pmod™ (Pmod2)

Pin No. of Pmod™	Name of Pmod™ Signal	RL78/G22					
		Pin	Power Supply	Port	SPI (CSI)	UART	I2C
1	CTS	13	-	P50	-	-	INTP1
2	TXD	9	-	P72	SO21	TxDA0	-
3	RXD	10(11)	-	P71	SI21	RxDA0	(P70/SCL21)*
4	RTS	11(10)	-	P70	SCK21	-	(P71/SDA21)*
5	GND	—	VSS	-	-	-	-
6	VCC	—	VDD	-	-	-	-
7	INT	14	-	P51	INTP2	INTP2	-
8	RESET	15	-	P17	-	-	-
9	GPIO	16	-	P16	-	-	-
10	GPIO	17	-	P15	-	-	-
11	GND	-	VSS	-	-	-	-
12	VCC	-	VDD	-	-	-	-

Note: These signals can be used as Type 6A (I2C) by cutting the patterns for cutting [SI21] and [SCK21] and short-circuiting the short-circuit pads [SCL21] and [SDA21].

5.8 MCU Headers

The MCU headers are provided as through holes J1 to J4 for a total of 12 (6 x 2) pins. The pin headers have a pitch of 2.54 mm and the evaluation MCU is connected to the through holes for the headers.

Table 5-5 to Table 5-8 show the pin assignments of the MCU headers.

Table 5-5 Pin Assignments of the MCU Header (J1)

Part No. in the Circuit Schematics	Name of Arduino® Signal*1	RL78/G22			
		Pin	Power Supply	Port and Peripheral Modules	Others
J1-1	SCL	1	-	P60/SCLA0	-
J1-2	SDA	2	-	P61/SDAA0	-
J1-3	14	3	-	P62	LED1
J1-4	15	4	-	P63	LED2
J1-5	~3	5	-	P31/TI03/TO03/INTP4/TS01/(PCLBUZ0)	-
J1-6	16	6	-	P75/KR5/TS07/INTP9/SCK01/SCL01	-
J1-7	17	7	-	P74/KR4/TS06/INTP8/SI01/SDA01	-
J1-8	18	8	-	P73/KR3/TS05/SO01	-
J1-9	19	9	-	P72/KR2/TS04/SO21/TxDA0	-
J1-10	20	10	-	P71/KR1/TS03/SI21/SDA21/RxDA0	-
J1-11	21	11	-	P70/KR0/TS02/SCK21/SCL21	-
J1-12	8	(12)	-	P30/INTP3/TSCAP/RTC1HZ/SCK11/SCL11 ²	TSCAP

Notes: 1. The names of the Arduino® signals correspond to the pin numbers for the Arduino® IDE. The Arduino® IDE will be supported in the future.

2. P30 is connected to a 0.01-uF capacitor by default. When P39 is to be used as a port pin, short-circuit the short-circuit pad [P30].

Table 5-6 Pin Assignments of the MCU Headers (J2)

Part No. in the Circuit Schematics	Name of Arduino® Signal*	RL78/G22			
		Pin	Power Supply	Port and Peripheral Modules	Others
J2-1	22	13	-	P50/TS00/INTP1/SI11/SDA11	-
J2-2	23	14	-	P51/TS28/INTP2/SO11	-
J2-3	~9	15	-	P17/TI02/TO02/TS18/(TxD0)	-
J2-4	~10	16	-	P16/TI01/TO01/INTP5/TS17/(RxD0)	-
J2-5	13	17	-	P15/PCLBUZ1/SCK20/SCL20/(TI02)/(TO02)/TS16	-
J2-6	12	18	-	P14/RxD2/SI20/SDA20/(SCLA0)/(TI03)/(TO03)/TS15	-
J2-7	~11	19	-	P13/TxD2/SO20/(SDAA0)/(TI04)/(TO04)/TS14	-
J2-8	24	20	-	P12/SO00/TxD0/TOOLTxD/TS13/(TI05)/(TO05)	TOOLTxD
J2-9	25	21	-	P11/SI00/RxD0/TOOLRxD/SDA00/TS12/(TI06)/(TO06)	TOOLRxD
J2-10	~6	22	-	P10/SCK00/SCL00/TS11/(TI07)/(TO07)	-
J2-11	7	23	-	P146/TS09	-
J2-12	A0	24	-	P147/ANI18/TS10	

Note: The names of the Arduino® signals correspond to the pin numbers for the Arduino® IDE. The Arduino® IDE will be supported in the future.

Table 5-7 Pin Assignments of the MCU Headers (J3)

Part No. in the Circuit Schematics	Name of Arduino® Signal*1	RL78/G22			
		Pin	Power Supply	Port and Peripheral Modules	Others
J3-1	A1	25	-	P27/ANI7/TS25	-
J3-2	A2	(26)	-	P26/ANI6/TS24*2	CAP1 (Touch Button 1)
J3-3	A3	(27)	-	P25/ANI5/TS23*2	CAP2 (Touch Button 2)
J3-4	A4	(28)	-	P24/ANI4/TS22*2	CAP5 (Touch Slider)
J3-5	A5	(29)	-	P23/ANI3/TS21*2	CAP4 (Touch Slider)
J3-6	26	(30)	-	P22/ANI2/TS20*2	CAP3 (Touch Slider)
J3-7	27	31	-	P21/ANI1/AVREFM*3	-
J3-8	REF	32	-	P20/ANI0/AVREFP*4	-
J3-9	28	33	-	P130/TS19	-
J3-10	0/RxD	34	-	P01/TS27/TO00/RxD1	-
J3-11	1/TxD	35	-	P00/TS26/TI00/TxD1	-
J3-12	2	36	-	P140/PCLBUZ0/INTP6/TS08	-

- Notes:
1. The names of the Arduino® signals correspond to the pin numbers for the Arduino® IDE. The Arduino® IDE will be supported in the future.
 2. When the pin is to be used as a port pin, short-circuit the short-circuit pads [P26], [P25], [P24], [P23], and [P22].
 3. P21 is connected to GND by default. Ensure that the port pin is not set as an output. When P21 is to be disconnected from GND, cut the given pattern for cutting [AVREFM].
 4. P20 is connected to VDD by default. Ensure that the port pin is not set as an output. When P20 is to be disconnected from VDD, cut the given pattern for cutting [AVREFP].

Table 5-8 Pin Assignments of the MCU Headers (J4)

Part No. in the Circuit Schematics	Name of Arduino® Signal*1	RL78/G22			
		Pin	Power Supply	Port and Peripheral Modules	Others
J4-1	4	37	-	P120/ANI19	-
J4-2	~5	38	-	P41/TI07/TO07	-
J4-3	29	39	-	P40/TOOL0	TOOL0
J4-4	RES	40	-	RESET	RST
J4-5	30	(41)	-	P124/XT2/EXCLKS*2	XT2
J4-6	31	(42)	-	P123/XT1*3	XT1
J4-7	32	43	-	P137/INTP0	SW
J4-8	33	44	-	P122/X2/EXCLK	X2
J4-9	34	45	-	P121/X1/VBAT	X1
J4-10	-	-	-	-	-
J4-11	-	47	-	VSS	-
J4-12	-	48	-	VDD	-

Notes: 1. The names of the Arduino® signals correspond to the pin numbers for the Arduino® IDE. The Arduino® IDE will be supported in the future.

2. P124 is connected to sub-clock XT2 by default. When P124 is to be used as a port pin, cut the pattern for cutting [XT2] and short-circuit the short-circuit pad [P124].
3. P123 is connected to sub-clock XT1 by default. When P123 is to be used as a port pin, cut the pattern for cutting [XT1] and short-circuit the short-circuit pad [P123].

5.9 Grove Connector

The specification of the grove connector is on the assumption that Grove modules are to be connectable through I2C. If a connector is mounted, however, connection to all Grove modules (through I2C) is not guaranteed. Use this connector after having confirmed the specifications of this product and Grove modules (through I2C) you intend to use.

Figure 5-3 and Table 5-9 show the pin assignments of the Grove connector.

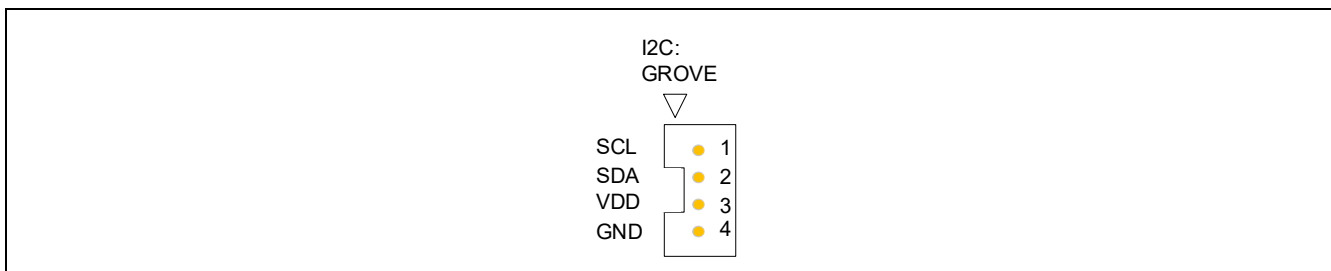


Figure 5-3 Pin Assignments of the Grove Connector

Table 5-9 Pin Assignments of the Grove Connector

Part No. in the Circuit Schematics	RL78/G22			
	Pin	Power Supply	Port	I2C
GROVE-1	1	-	P60	SCLA0
GROVE-2	2	-	P61	SDAA0
GROVE-3	-	VDD	-	-
GROVE-4	-	GND	-	-

5.10 Clock

Clock circuits are provided to handle the clock sources for the evaluation MCU. For details on the specifications of the evaluation MCU clocks, refer to the RL78/G22 User’s Manual: Hardware. For details on the clock circuit of this product, refer to the circuit schematics of the RL78/G22 Fast Prototyping Board. Table 5-10 shows the details of the clocks on the RL78/G22 Fast Prototyping Board.

Table 5-10 Details of Clocks

Clock	Function and Usage	State as Shipped	Frequency	Package for the Oscillator
OSC1*	Crystal oscillator for the main system clock (e.g. CSTNE20M0V5 from Murata Manufacturing Co., Ltd.)	Not mounted	n/a	SMT
OSC2*	Crystal oscillator or ceramic resonator for the main system clock	Not mounted	n/a	Lead type
OSC3	Crystal oscillator for the sub-clock	Mounted	32.768 kHz	SMT

Note: Use the main system clock by cutting the patterns for cutting [P121] and [P122] and short-circuiting the short-circuit pads [X1] and [X2].

5.11 Reset Switch

Pressing the reset switch (RST) applies a hardware reset to the evaluation MCU.

5.12 User Switch

An optional user switch (SW) is mounted. It is connected to pin 43 of the evaluation MCU, which operates as pin function P137. The INTP0 interrupt is multiplexed on the same pin.

5.13 USB-to-Serial Converter and COM Port Debugging

A USB-to-serial converter (FT232RQ) from FTDI is mounted on the board and is usable with the standard driver of Windows 10. For other operating systems, install the driver by downloading from the following Web site of FTDI.

<http://www.ftdichip.com/> DRIVERS -> VCP Drivers

The USB-to-serial converter reset header (J15) is open-circuit; it is recognized as a COM port when the host PC is connected to this board via a USB cable.

As the interface with the RL78 COM port debug tool, the USB-to-serial converter enables debugging and programming of the evaluation MCU. Refer to Chapter 7, Developing Code. Note that the P40, P11, and P12 pins of the evaluation MCU are respectively occupied as the TOOL0, TOOLRxD, and TOOLTxD functions.

For the method of COM port debugging, refer to the application note, RL78 Debugging Functions Using the Serial Port (R20AN0632).

When the USB-to-serial converter is not used as the interface with the RL78 COM port debug tool, using the RxD0 and TxD0 functions of the P11 and P12 pins enables UART communications between the host PC and the evaluation MCU. The user needs to prepare the terminal software, such as TeraTerm.

5.14 USB-to-Serial Converter Reset Header

The USB-to-serial converter is placed in the forced reset state by short-circuiting its reset header (J15). If the evaluation MCU alone is to operate without the use of the RL78 COM port debug tool, place the USB-to-serial converter in the reset state. This allows the use of P11 (RxD0) and P12 (TxD0) as facilities other than for a UART, such as port pins, while a reset is being applied to the USB-to-serial converter. Even if P11 and P12 are used as facilities other than for a UART, such as port pins, the board must be connected to the host PC by using the USB cable. Figure 5-4 shows the position of the USB-to-serial converter reset header.

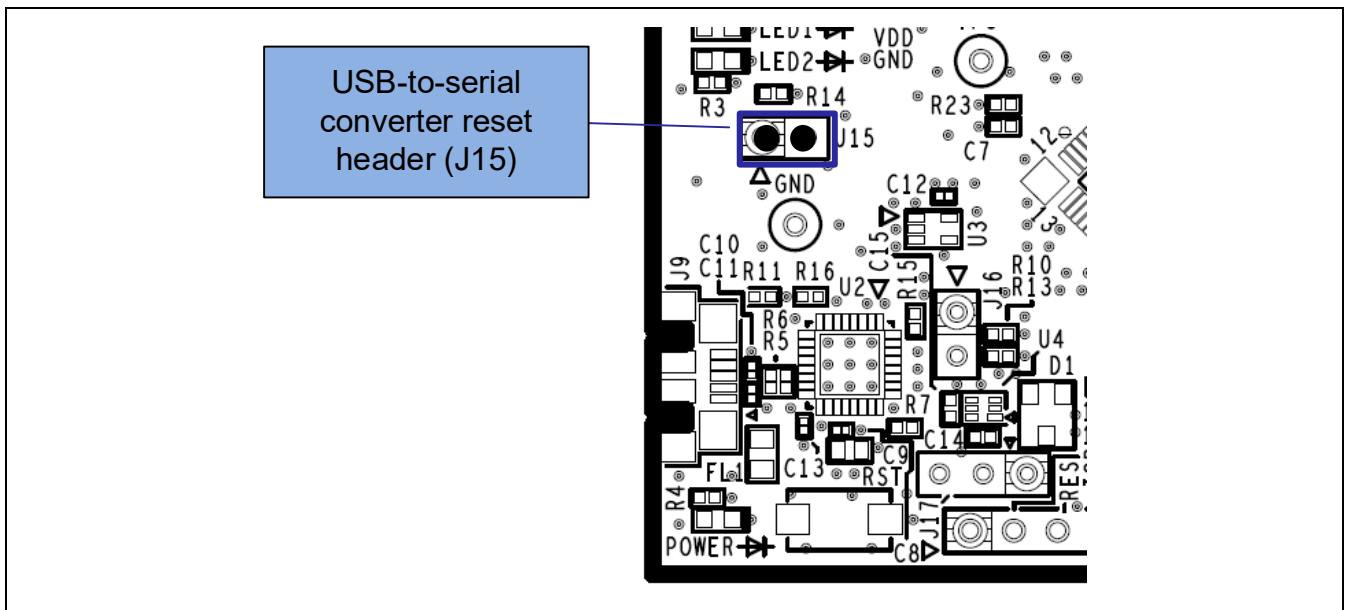


Figure 5-4 Position of the USB-to-Serial Converter Reset Header (Top Side)

5.15 Power-Supply Selection Header

The operating power (VDD) of the evaluation MCU can be changed to supply from the emulator or external power, and to 5 V or 3.3 V with the use of a header (J17). Only change the jumper setting of J17 while power is not being supplied.

- 1-2 of J17 being short-circuit selects a 5-V power supply. This is the default setting as shipped (Figure 5-5).
- 2-3 of J17 being short-circuit selects a 3.3-V power supply (Figure 5-6).
- J17 being open-circuit selects supply from the emulator or external power. (Figure 5-7).

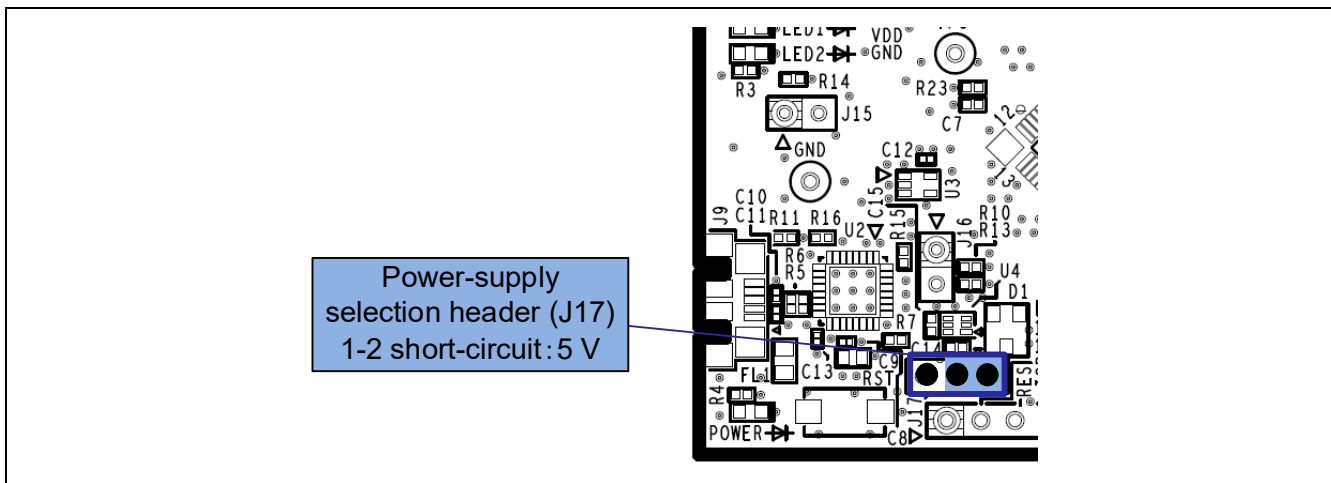


Figure 5-5 Setting of the Header to Select a 5-V Power Supply (Top Side)

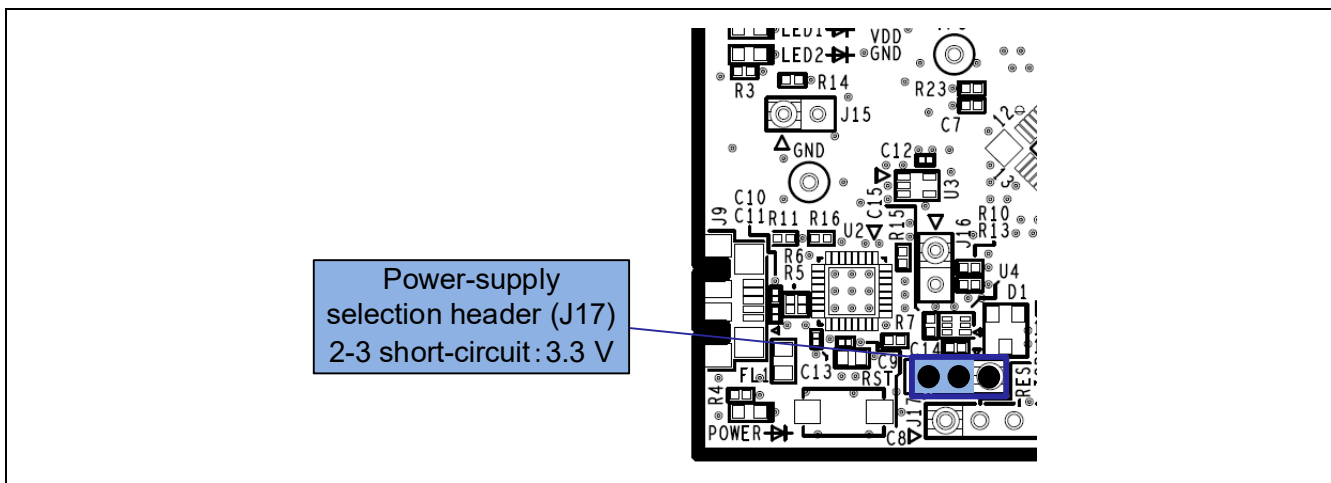


Figure 5-6 Setting of the Header to Select a 3.3-V Power Supply (Top Side)

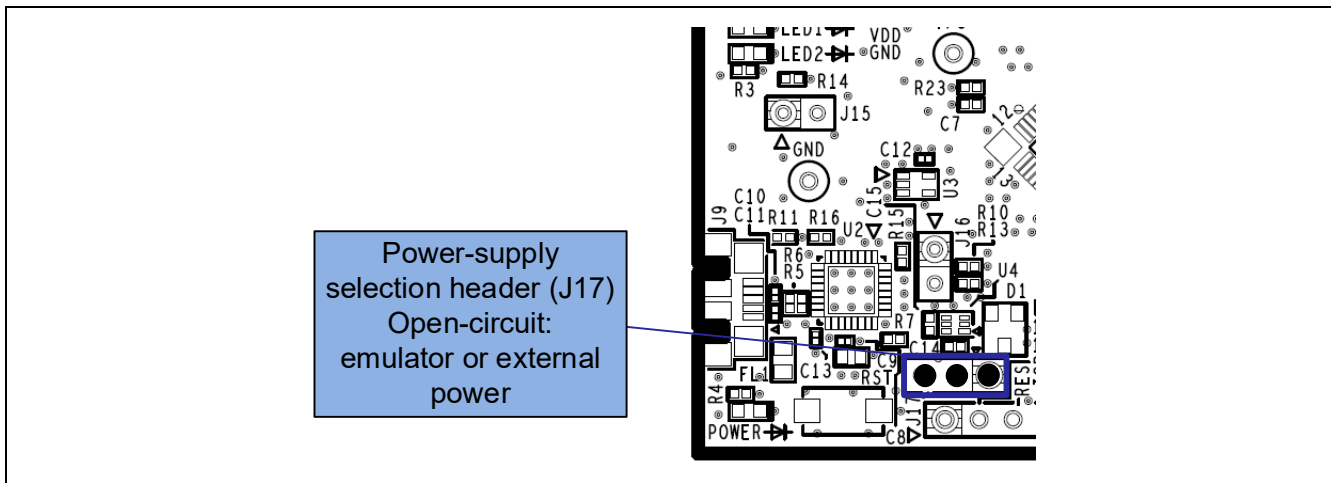


Figure 5-7 Setting of the Header to Select Supply from the Emulator or External Power (Top Side)

5.16 External Power Supply

When the evaluation MCU is to have a desired power-supply voltage, or when more current is required, use an external power supply. The usable voltages depend on the evaluation MCU.

Destinations for the connection of an external power supply:

- VDD: pin J18-1 on the external power-supply header
- VSS: pin J18-2 on the external power-supply header

Figure 5-8 shows the positions of the external power supply.

When an external power supply is used, confirm that the I/O voltages for Arduino® shields, Pmod™ modules, or Grove modules are correct.

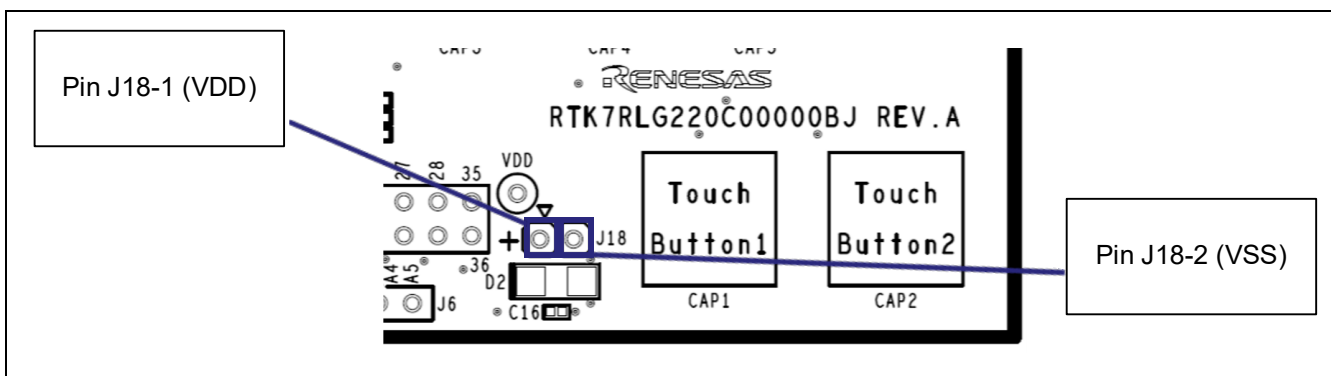


Figure 5-8 Positions of the Destinations for Connection of an External Power Supply (Top Side)

5.17 Current Measurement Header

This header (J11) is used to measure the current drawn by the evaluation MCU (J11 header components are not mounted). Connecting an ammeter to this product enables measurement of the current being drawn by the evaluation MCU. Take care to cut the given pattern for cutting (VDD) if this header is to be used. Figure 5-9 shows the positions of the current measurement header and pattern for cutting.

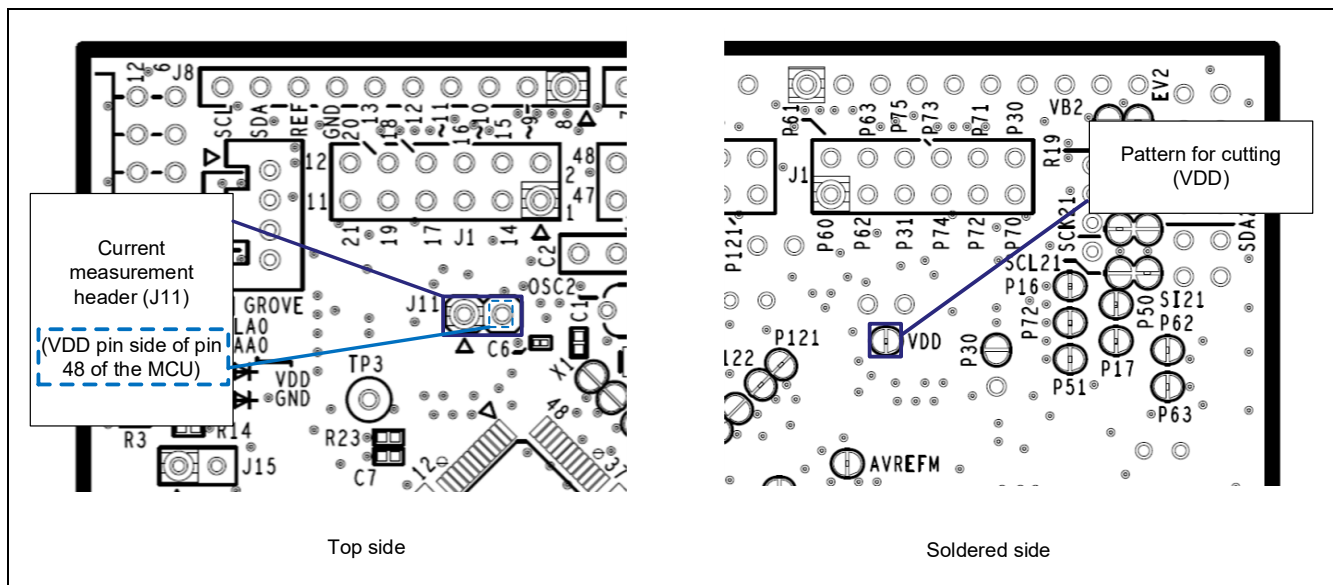


Figure 5-9 Positions of the Current Measurement Header (J11) and Pattern for Cutting (VDD)

Insert an ammeter between the sockets of the current measurement header (J11) to measure the current. Cut the pattern for cutting (VCCIO) (Figure 5-11) and turn down the LED to reduce the current drawn with an MCU other than the evaluation MCU.

Figure 5-10 is a block diagram of the power-supply lines related to the measurement of current drawn. For a block diagram of the power-supply circuit as a whole, refer to Figure 6-2.

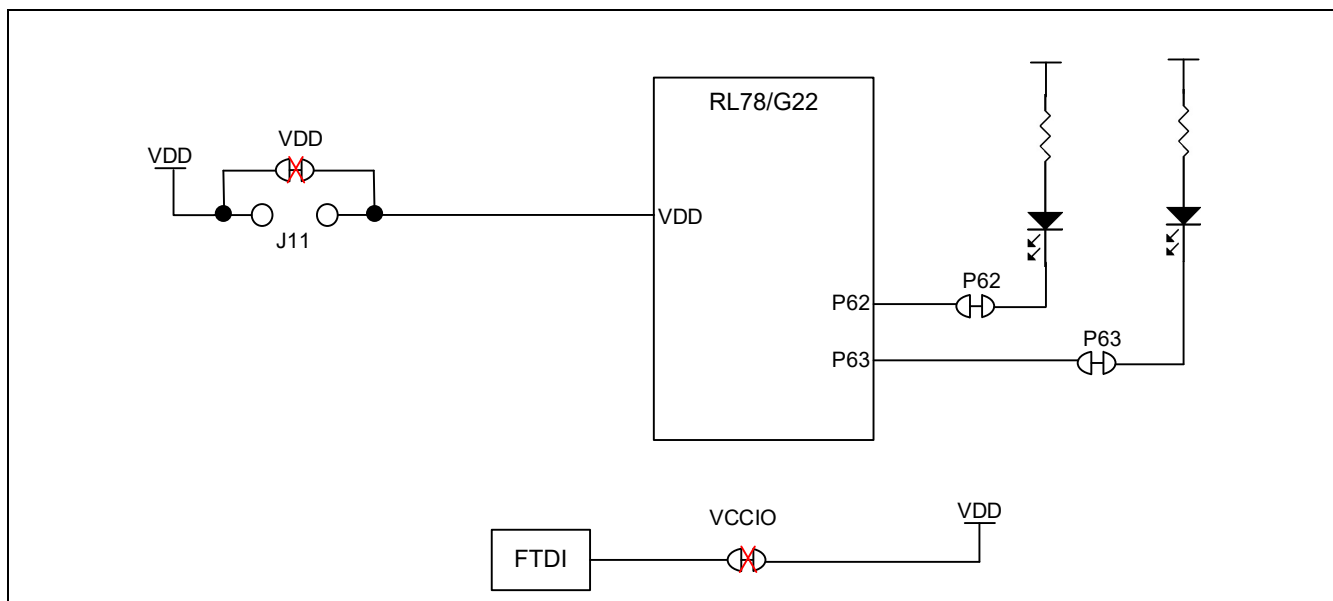


Figure 5-10 Block Diagram of the Headers Related to Current Measurement

5.18 Pattern for Cutting the I/O Power Supply for the USB-to-Serial Converter

If you intend to use this board without connecting a USB connector, cut the given pattern for cutting (VCCIO). Figure 5-11 shows the position of the pattern for cutting.

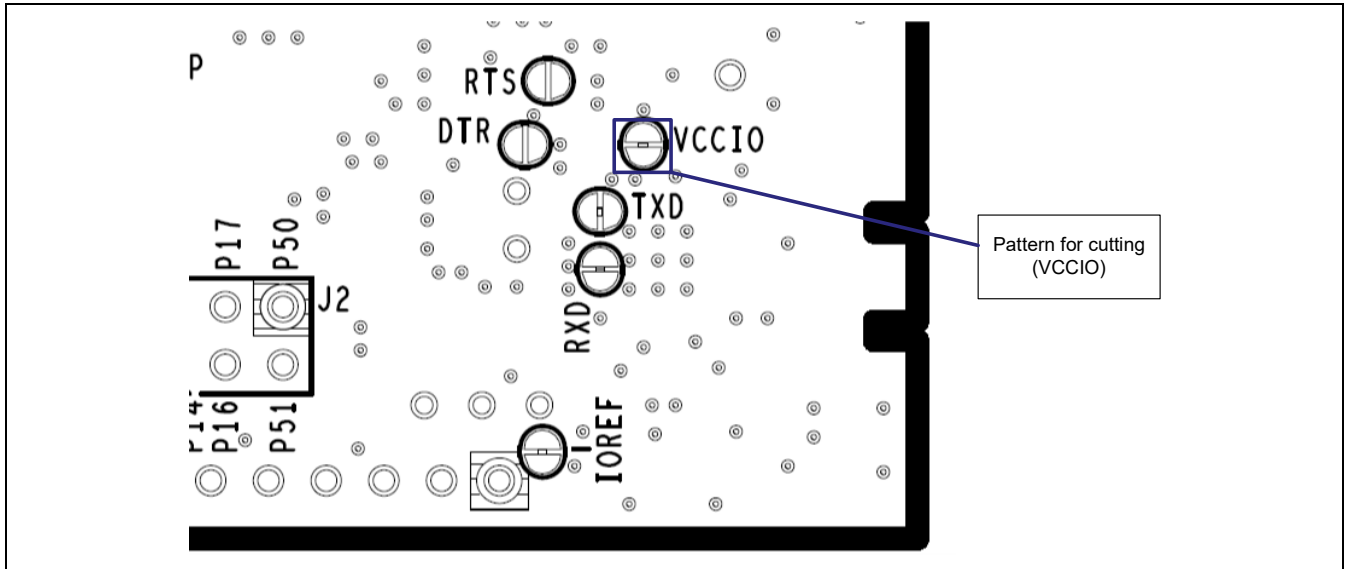


Figure 5-11 Position of the Pattern for Cutting (VCCIO)

5.19 Emulator Connector

This 14-pin connector (J10) is used to connect this product to an on-chip debugging E2 emulator or E2 emulator Lite, from Renesas Electronics, incorporating programming facilities (the connector is not mounted). The emulator is used for programming or debugging the evaluation MCU.

To connect the emulator, change the circuit as follows.

- J10: 14-pin connector must be mounted
- J12, J13, and J14: pins 2-3 are short-circuit
- Pattern for cutting [TOOL0_USB]: cut
- Pattern for cutting [RESET]: cut
- Pattern for cutting [T_RESET]: cut

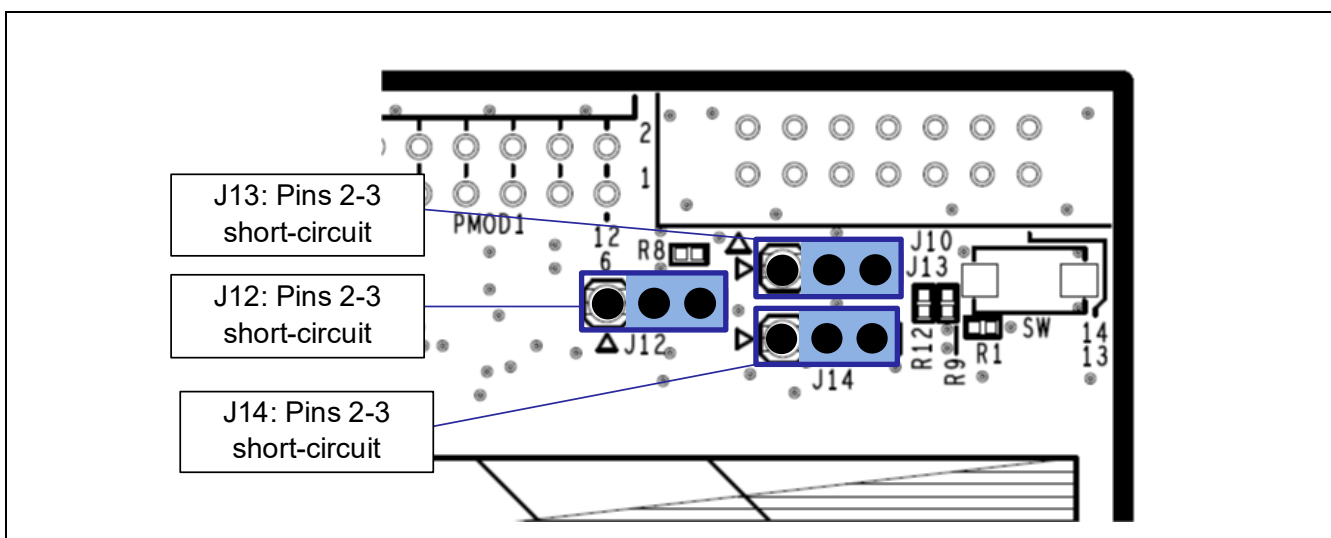


Figure 5-12 Settings for Use with the Emulator Connector (Top Side)

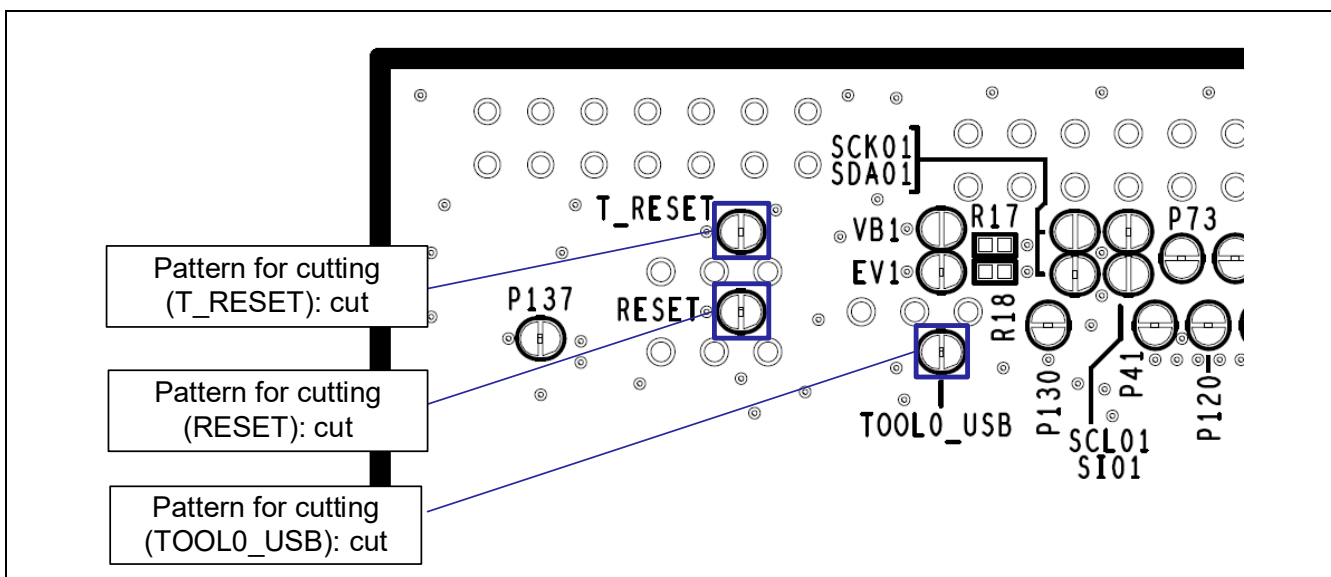


Figure 5-13 Settings for Use with the Emulator Connector (Soldered Side)

For the usage of the emulator, refer to the E1/E20/E2 Emulator, E2 emulator Lite Additional Document for User's Manual (Notes on Connection of RL78) (R20UT1994).

After the changes to the circuit have been made to connect the emulator as described in the previous page, if you want to restore the settings to those for COM port debugging with the use of the USB-to-serial converter, make the following change of setting as follows.

- J12, J13, and J14: pins 1-2 are short-circuit

For the patterns for cutting that were cut on the previous page, solder need not to be applied.

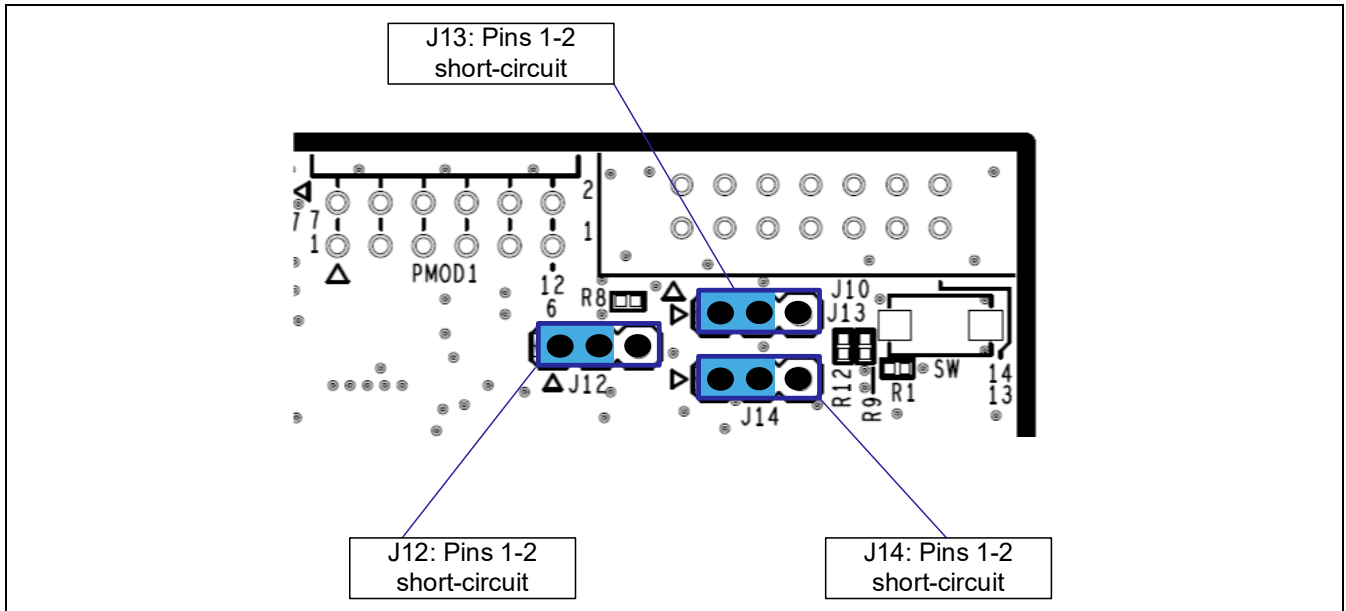


Figure 5-14 Settings for Use with COM Port Debugging (Top Side)

6. Handling Precautions

6.1 Power to be Supplied

When power is supplied to this product from an emulator or through the USB, note that the total current of VDD, 5 V, and 3.3 V should not exceed the maximum current of 200 mA.

6.2 Remodeling the Board

Any modification of the board (including cutting the patterns for cutting) shall be conducted at the user’s own responsibility.

The following shows the settings of jumpers as shipped.

- J15: open-circuit
- J16: short-circuit
- J17: pins 1-2 are short-circuit

In this document, “short-circuit pads” refers to pairs of pads for short-circuiting by solder.

“Pattern for cutting” refers to a narrow signal pattern in the middle part between two short-circuit pads. When you cut the pattern for cutting, do not cut over the silkscreened frame of a white ellipse.

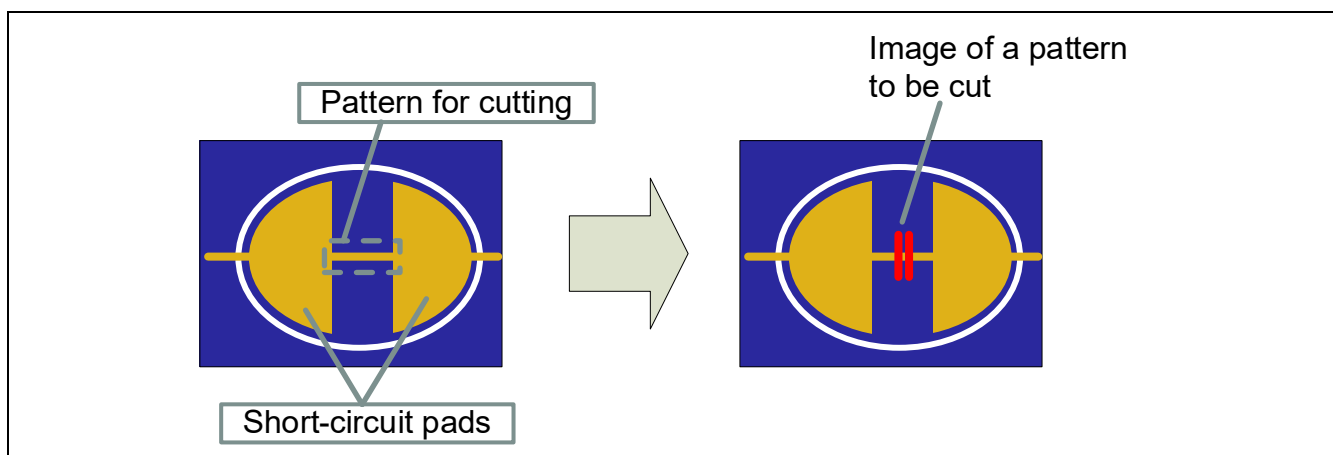
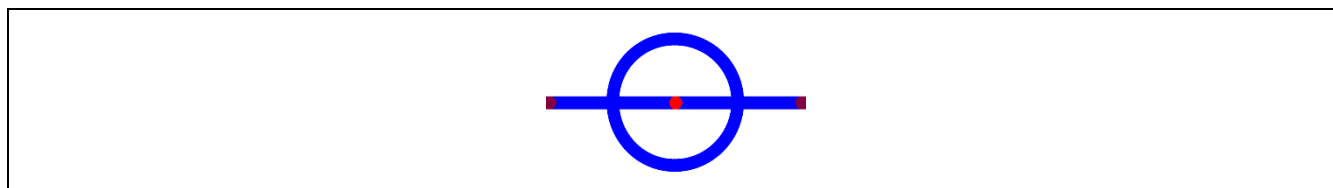


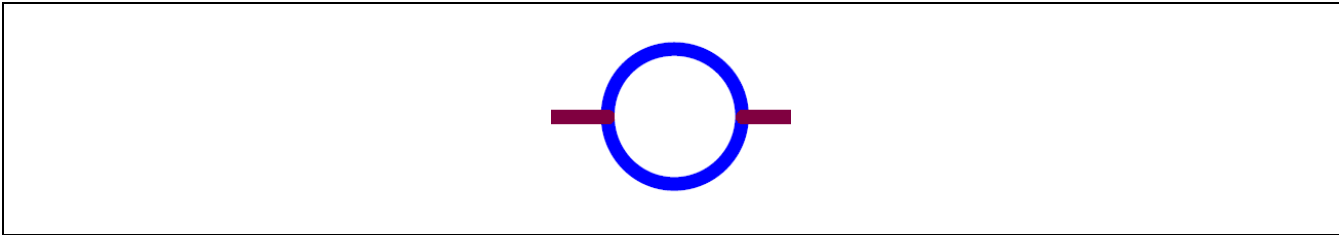
Figure 6-1 Pattern for Cutting and Short-circuit Pads

In some cases, a pattern for cutting may not be visible because it has been covered with coating of a resist. Also refer to the circuit schematics.

In the circuit schematics, the symbol below indicates that there is a pattern for cutting between short-circuit pads.



In the circuit schematics, the symbol below indicates that there are only short-circuit pads without any pattern for cutting.



6.3 Power Supplies and Usage Conditions

Different power supplies can be selected. Table 6-1 shows the relationship between power-supply sources and usage conditions.

Figure 6-2 shows the block diagram of the power-supply circuit.

Table 6-1 Power-Supply Sources and Usage Conditions

Power-Supply Source	Usage Condition				
	Power supplied to the evaluation MCU	Use of Arduino® shields*1	Use of Pmod™ or Grove modules*1	Use of an emulator and IDE	Jumper setting*2
USB*4 (default)	5 V or 3.3 V	Possible	Possible	Possible*3	Not required • J17: 1-2 short-circuit: 5 V (default) Required • J17: 2-3 short-circuit: 3.3 V
External power supply	1.6 V to 5.5 V	Possible	Possible	Possible*3	Required • J17: open-circuit
Emulator	E2 Lite: 3.3 V E2: 1.8 V to 5.0 V	Not possible	Possible	Possible	Required • J17: open-circuit

- Notes:
1. Connecting the RL78/G22 Fast Prototyping Board to an Arduino® shield, a Pmod™ module, or a Grove module shall be conducted at the user’s own responsibility and should only proceed after confirming the specifications of the power supply and interfaces. When an Arduino® shield requires the supply of 5-V or 3.3-V power, connect the host PC to this board via the USB cable.
 2. Requirements for modifications after shipment are stated in this column.
 3. Use the IDE in a state where power is being supplied from a source other than the emulator.
 4. If power to be supplied to this product other than via the USB, cut the pattern for cutting (VCCIO).

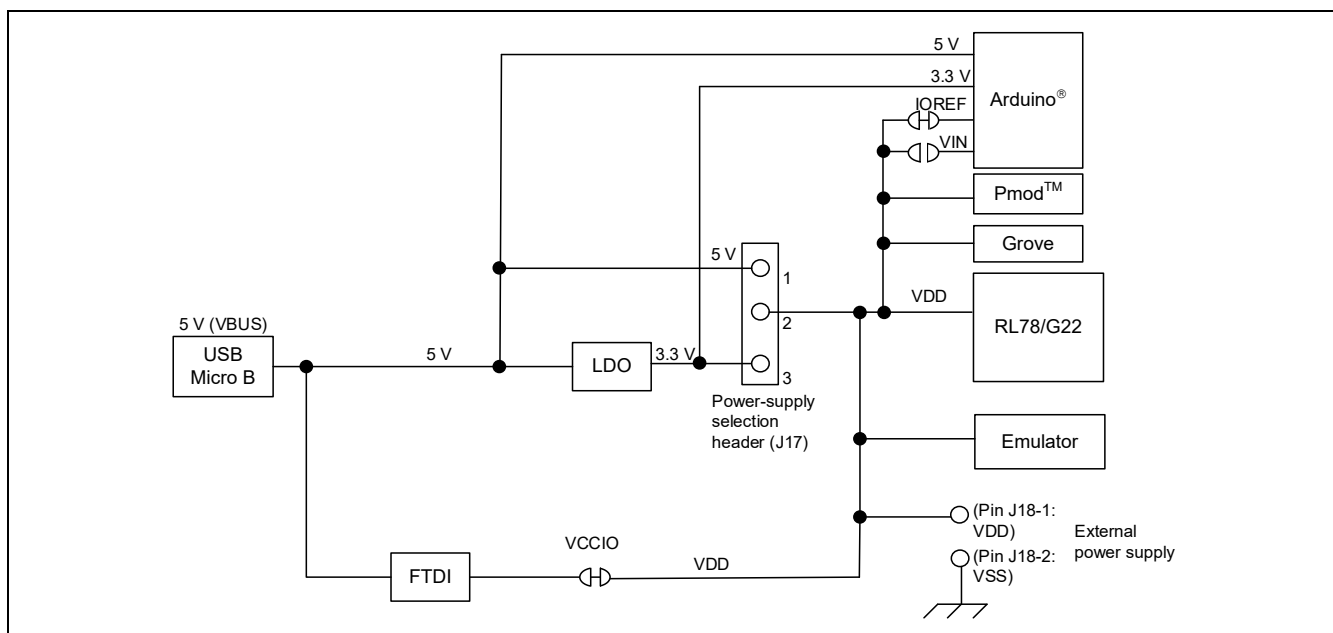


Figure 6-2 Block Diagram of the Power-Supply Circuit

6.4 Note on Using QE for Capacitive Touch

When you are using QE for Capacitive Touch (QE) with this product, change the circuits in the following cases (1) and (2).

For the methods for developing touch applications with the use of QE, refer to the application note “RL78 Family Using QE and SIS to Develop Capacitive Touch Applications” (R01AN5512).

(1) Usage with the serial connection function of QE

When the serial connection function of QE is to be used (serial communications via QE between the host PC and the USB connector on the board of this product), modify the J16 jumper block for switching the QE serial connection as follows.

- J16: open-circuit

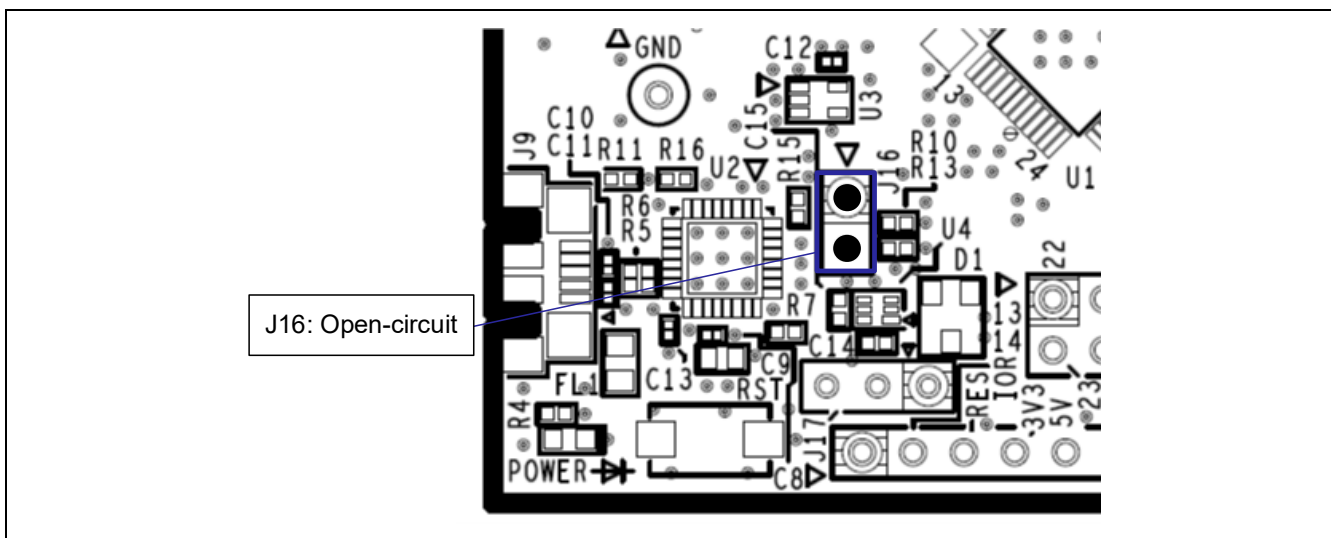


Figure 6-3 Settings for Use with the Serial Connection Function of QE (Top Side)

Note: When the circuit is configured for the case “(1) Usage with the serial connection function of QE” above, the following forms of usage are not available with QE.

- Debugging or programming through COM port debugging
- Tuning the capacitive touch sensor via COM port debugging with the use of QE

(2) Not using the serial connection function of QE

After the changes to the circuit have been made as described under “(1) Usage with the serial connection function of QE”, if you want to restore the settings to those for COM port debugging (including the case of the usage described under note above), make the following change of setting as follows.

- J16: short-circuit

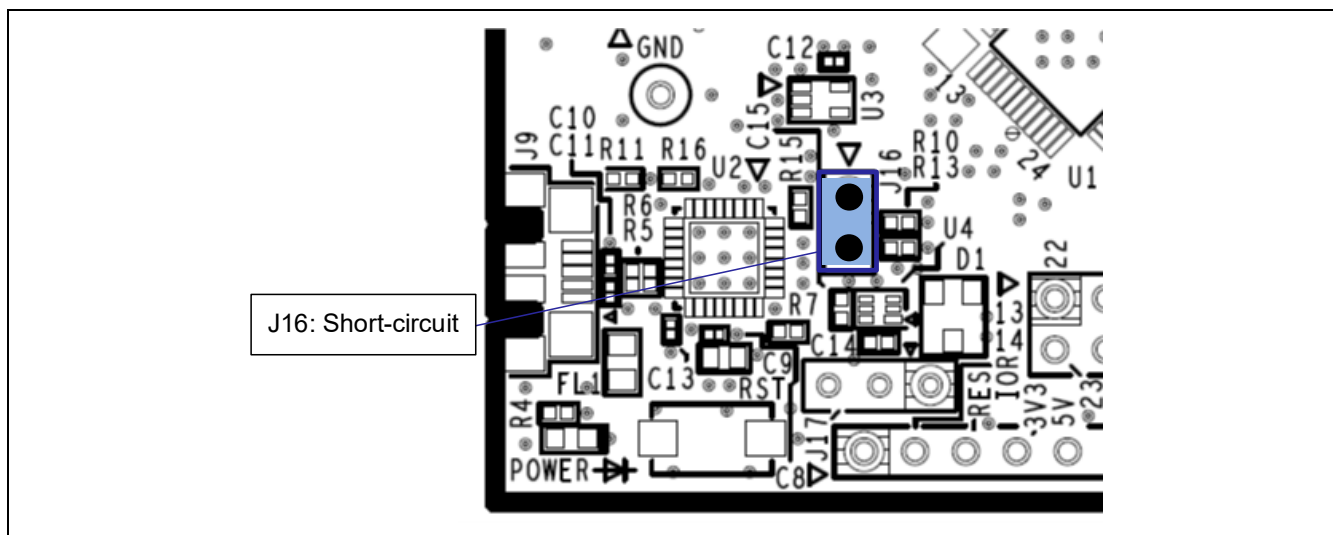


Figure 6-4 Settings for Use with COM Port Debugging (Top Side)

6.5 Note on Using P12/TxD0

When the power is turned on or immediately after release from resetting of the USB-to-serial converter of this product, if a user program which starts the output of the UART transmission to the P12/TxD0 line is written to the target MCU before the host PC recognizes the USB-to-serial converter as the COM port, the operation of the USB-to-serial converter may be unstable and prevent connection to the Renesas Flash Programmer or terminal software.

In such cases, turn on the power (connect the USB cable) while pressing the reset switch, wait about 3 seconds until the host PC recognizes the USB-to-serial converter as the COM port, and release the reset switch. Otherwise, reset the USB-to-serial converter (by briefly short-circuiting J15 and then restored it to open-circuit) while pressing the reset switch, wait about 3 seconds until the host PC recognizes the USB-to-serial converter as the COM port, and release the reset switch.

Finally, erase the user program by using the Renesas Flash Programmer.

7. Developing Code

Use the e² studio or CS+, both of which support the evaluation MCU (RL78/G22).

For the usage of the E2 emulator and E2 emulator Lite, refer to the help system or user’s manual of the e² studio or CS+.

7.1 Using COM Port Debugging with the e² studio

Figure 7-1 shows the settings of the e² studio when it is to be connected to the RL78/G22 Fast Prototyping Board.

- [Debug hardware]: Select [COM port (RL78)].
- [Target Device]: Select [R7F102GGE].
- [Connection with Target Board]:
 - [COM Port]: Select the COM port number for assignment to the RL78/G22 FPB from the pull-down list.
 - [Reset control pin]: Select [DTR].

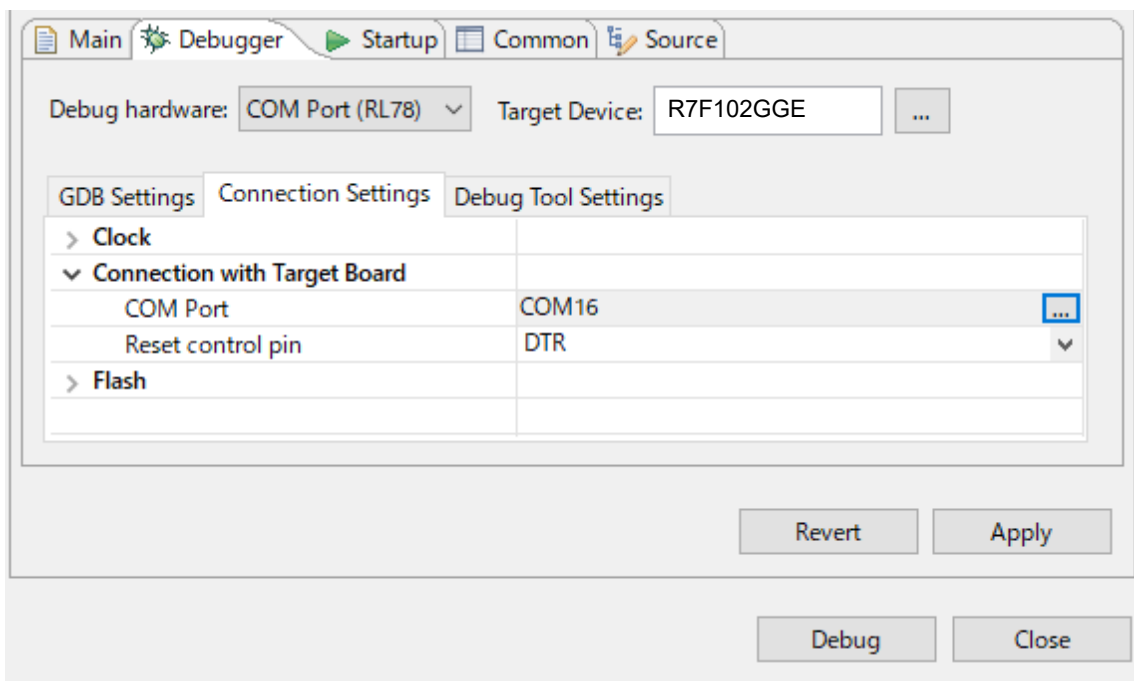


Figure 7-1 Settings of the e² studio

7.2 Using COM Port Debugging with CS+

Figure 7-2 and Figure 7-3 show the settings of CS+ when it is to be connected to the RL78/G22 Fast Prototyping Board.

- [Using Debug Tool]:
Select [RL78 COM Port] from [Using Debug Tool] in the [Debug] menu.

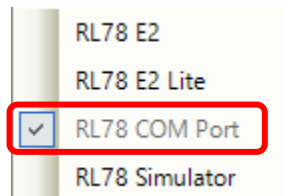


Figure 7-2 Panel for Selecting the Debug Tool

- [Connection with Target Board]:
[Communication port]: Select the COM port number for assignment to the RL78/G22 FPB from the pull-down list.
[Reset control pin]: Select [DTR].

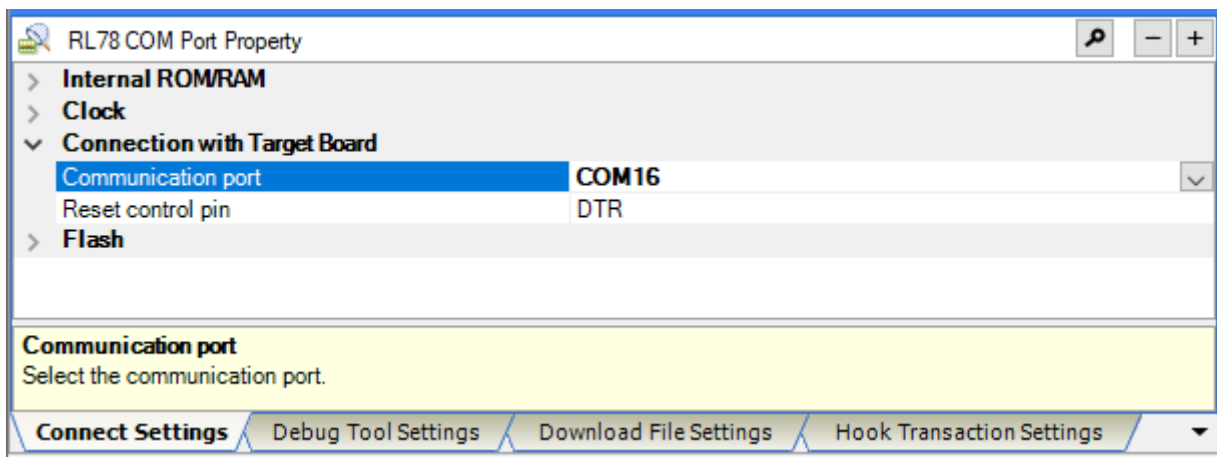


Figure 7-3 [Connect Settings] Tabbed Page of CS+

For details and points for caution, refer to the following application note for the RL78 COM port debug tool.

- RL78 Debugging Functions Using the Serial Port (R20AN0632)

8. Additional Information

Technical Support

For details on the usage of the IDE, refer to its help menu.

For details on the evaluation MCU (RL78/G22), refer to the RL78/G22 User's Manual: Hardware.

For details on the RL78 assembly language, refer to the RL78 Family User's Manual: Software.

Technical Contact Details

America: techsupport.america@renesas.com

Europe: <https://www.renesas.com/en-eu/support/contact.html>

Global & Japan: <https://www.renesas.com/support/contact.html>

General information on Renesas microcontrollers can be found on the Renesas website at:
<https://www.renesas.com/>

Note

Do not install the RL78/G22 Fast Prototyping Board or sample code into your product.

The operation of sample code is not guaranteed. Confirm the operation on your own responsibility.

Trademarks

All brand or product names used in this manual are trademarks or registered trademarks of their respective companies or organisations.

Copyright

This document may be, wholly or partially, subject to change without notice. All rights reserved. Duplication of this document, either in whole or part is prohibited without the written permission of Renesas Electronics Europe Limited.

© 2022 Renesas Electronics Corporation. All rights reserved.

Revision History	RL78/G22 Fast Prototyping Board User's Manual
------------------	---

Rev.	Date	Description	
		Page	Summary
1.00	Nov.16.22	—	First Edition issued

RL78/G22 Fast Prototyping Board User's Manual

Publication Date: Rev.1.00 Nov.16.22

Published by: Renesas Electronics Corporation

RL78/G22



Renesas Electronics Corporation

R20UT5121EJ0100