



RL78/G1M Fast Prototyping Board Schematic (ProductNo:RTK5RLG1M0C00000BJ)

PAGE	DESCRIPTION
1	Index
2	Target MCU
3	Target MCU peri,POWER
4	Emulator Circuit

Note:
 C : Capacitor
 D : Diode
 R : Fixed Resistor
 U : Integrated Circuit
 X : Crystal, Oscillator
 SW : Switch
 LED : Light Emitting Diode
 J : Connector
 N.C. : Not connected
 SS:short-pad short-type(Default:short)
 SC:short-pad cut-type(Default:Open)
 * "DNF" marking means that component is not fitted by default

[MCU BLOCK]

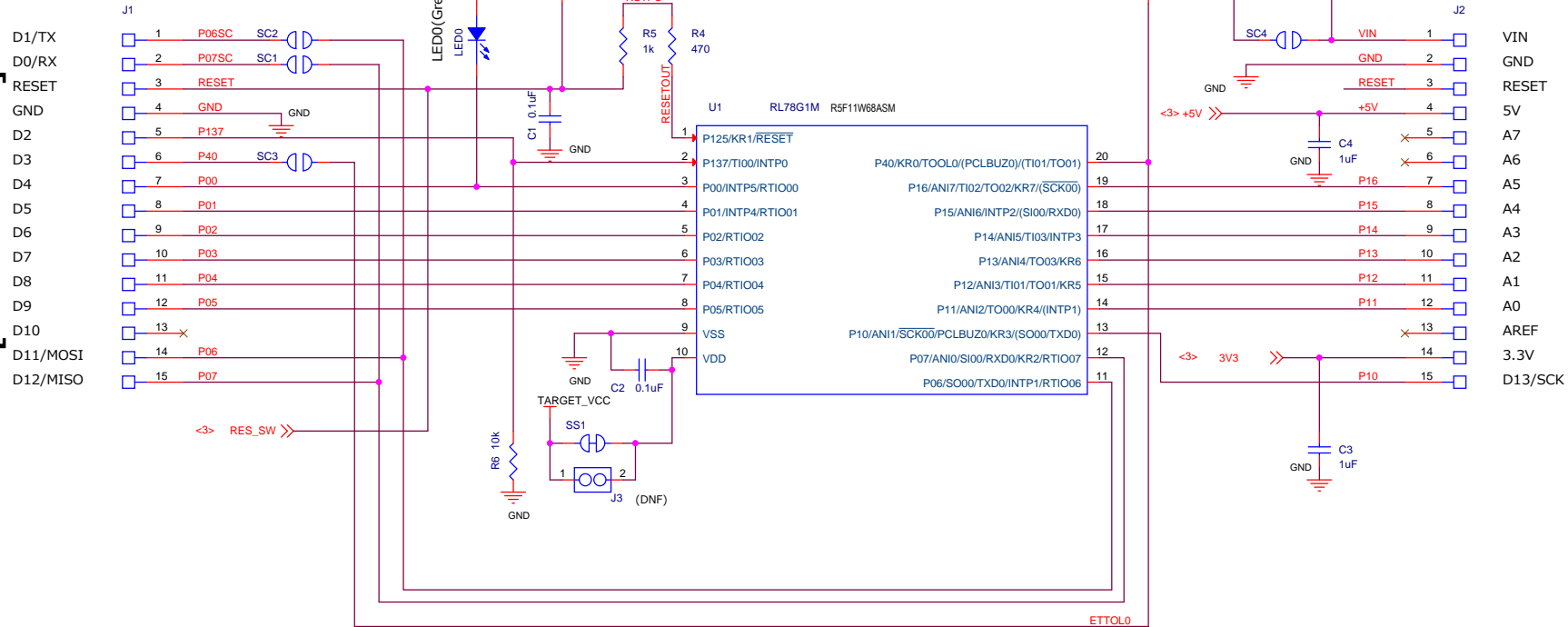
[Target MCU]

[MCU header]

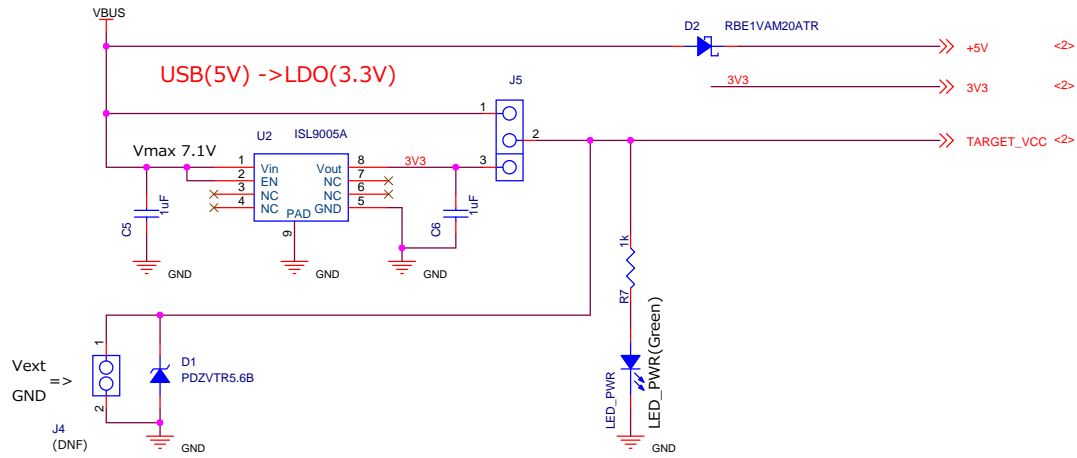
[MCU header]

[Arduino Name]

[Arduino Name]



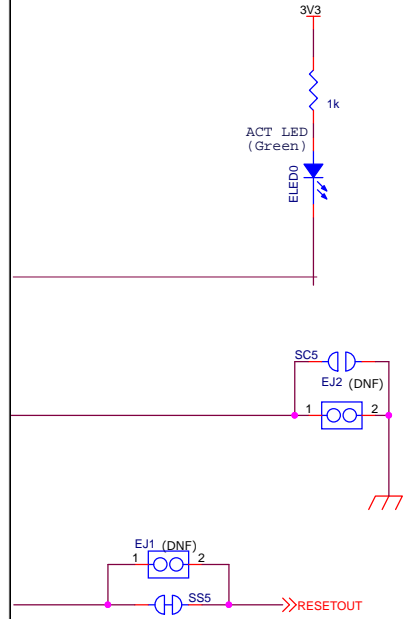
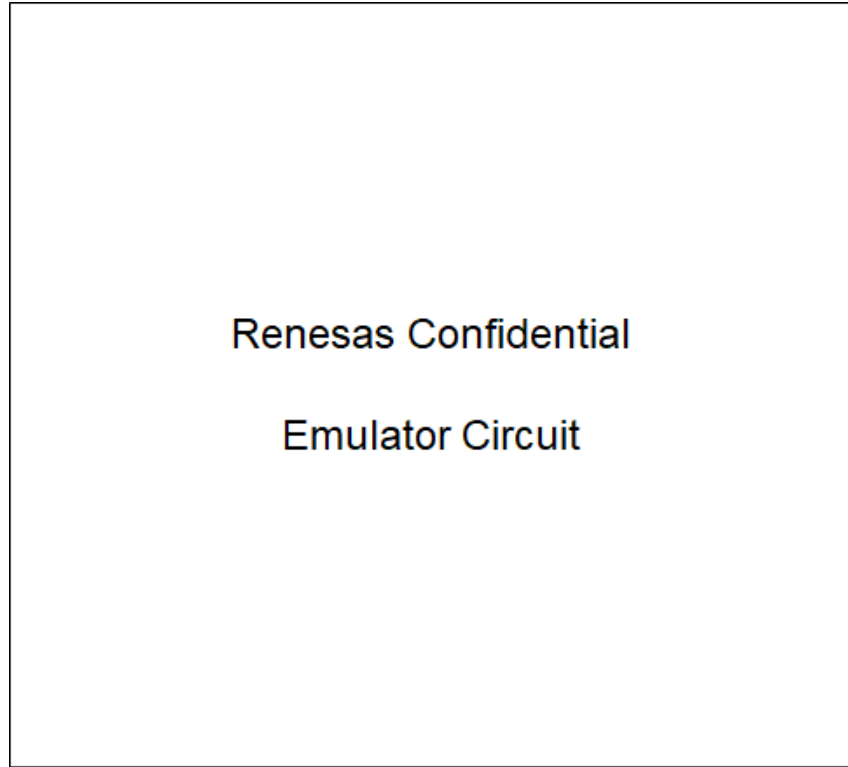
[POWER BLOCK]



[RESET SW]



[EML BLOCK]



	EJ1 (SS5)	EJ2 (SC5)
DBG / PRG	short	open
Target MCU operating singly	open (cut)	short (connect)
prohibited	open	open
	short	short