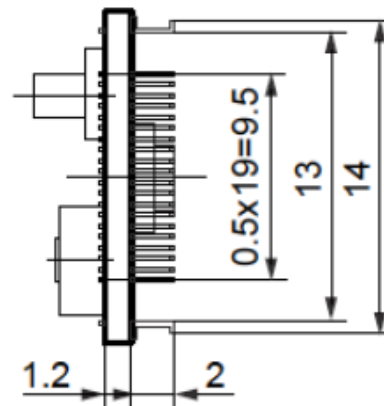
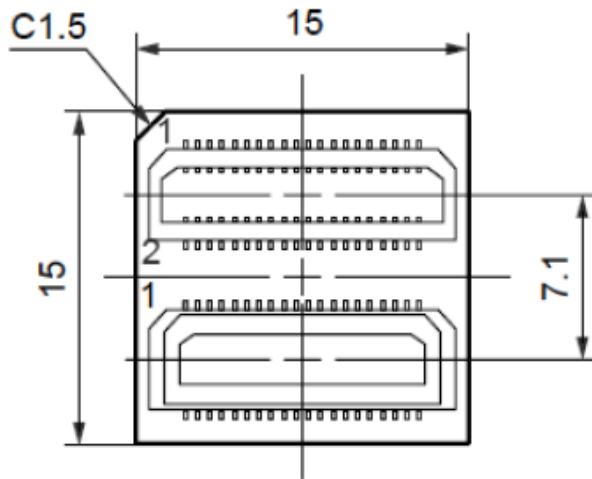
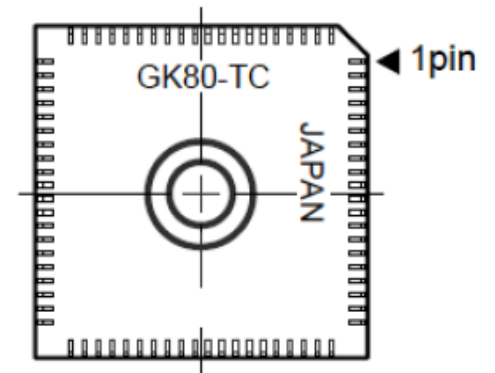


Unit: mm

< Top view >



< Bottom view >



**Unit: mm**

< Foot Pattern >

