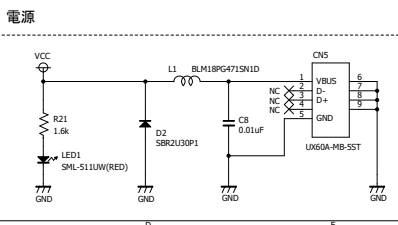
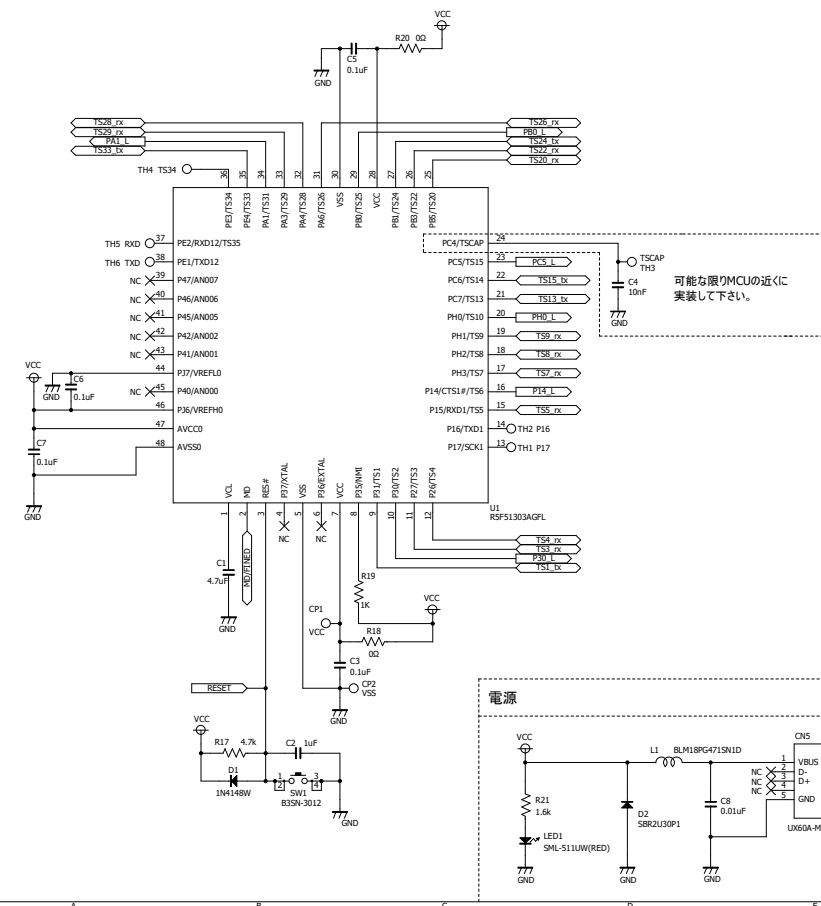
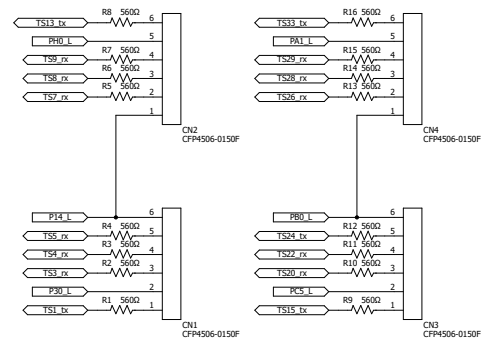


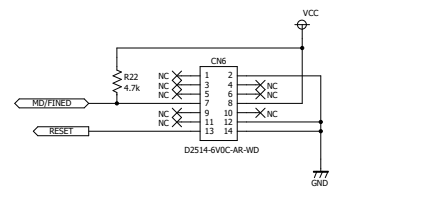
MCU



Cap. Touch sensor connector



デバッグコネクタ



Renesas Electronics Corp.

Title: Water level detection board (RX130-48pin LQFP)

Size A3	Document Number	Producer Takuro Ichikawa	Rev A
Date: Oct 12, 2017	Sheet 1/1		