

## Description

The 9QXL2001B is a 20-output very-low-additive phase jitter fanout buffer for PCIe Gen4, Gen5 and UPI applications. The 9QXL2001B provides two methods to control output enables; standard OE# pins and SMBus enable bits, or a simple 3-wire serial interface that is independent of the SMBus. The OE Control Mode is set via a hardware strap. It offers integrated terminations for 85Ω transmission lines.

## PCIe Clocking Architectures

- Common Clocked (CC)
- Independent Reference (IR) with and without spread spectrum

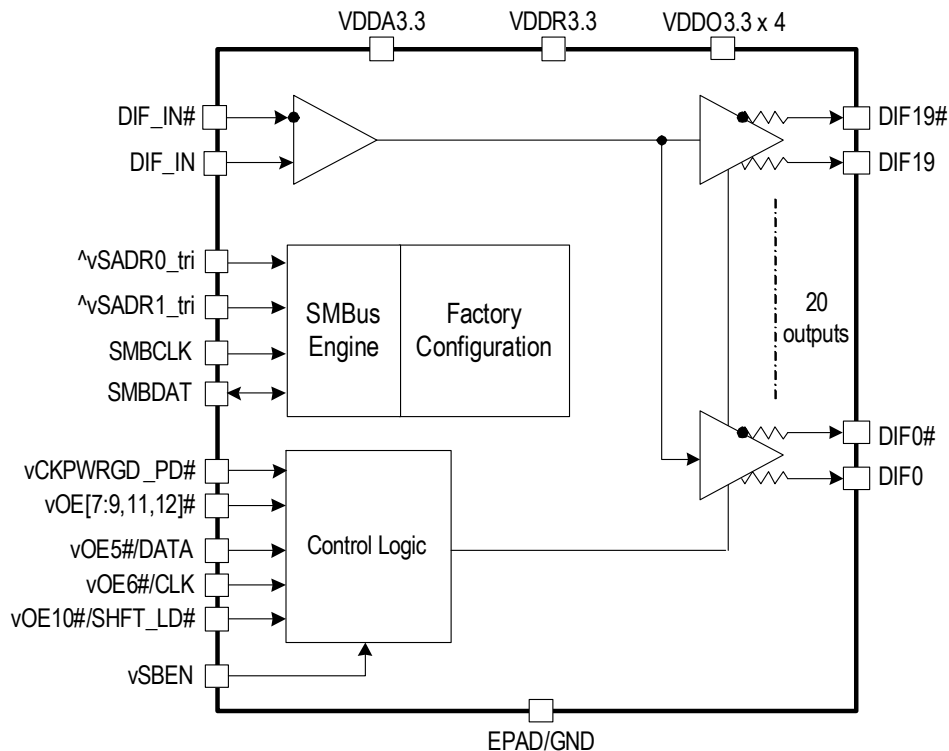
## Typical Applications

- Servers, Storage, Networking, Accelerators

## Key Specifications

- Output-to-output skew: < 50ps
- Additive phase jitter: DB2000Q < 25fs rms
- Additive phase jitter: PCIe Gen4 < 40fs rms
- Additive phase jitter: PCIe Gen5 < 20fs rms

## Block Diagram



## Features

- Two Output Enable Control modes:
  - Traditional 8 OE# pins allow hardware control of 8 outputs and 20 SMBus bits allow software control of each output
  - Simple 3-wire Side-Band Interface allows real-time control of all 20 outputs
- Outputs remain Low/Low when powered up with floating input clock
- Low-Power HCSL (LP-HCSL) outputs:
  - $Z_o = 85\Omega$  outputs eliminate 80 resistors, saving 130mm<sup>2</sup> of area
  - Power consumption reduced by 50%
- 9 selectable SMBus addresses
- Spread spectrum compatible
- 6 × 6 mm dual-row 80-VFQFPN

## Output Features

20 Low-Power HCSL (LP-HCSL) 85Ω output pairs

# Contents

Description .....	1
PCIe Clocking Architectures .....	1
Typical Applications .....	1
Key Specifications .....	1
Features .....	1
Output Features .....	1
Block Diagram .....	1
Pin Assignments .....	3
Pin Descriptions .....	4
Output Control .....	7
Power Management .....	7
Output Enable Control on 9QXL2001B (DB2000QL) .....	8
Traditional Method .....	8
Side-Band Interface .....	8
Absolute Maximum Ratings .....	10
Thermal Characteristics .....	10
Electrical Characteristics .....	11
Test Loads .....	15
Alternate Terminations .....	16
SMBus Addressing .....	16
General SMBus Serial Interface Information .....	17
How to Write .....	17
How to Read .....	17
Package Outline Drawings .....	22
Marking Diagram .....	22
Ordering Information .....	22
Revision History .....	23

## Pin Assignments

Figure 1. Pin Assignments for 6 × 6 mm 80-VFQFPN Package – Top View

	1	2	3	4	5	6	7	8	9	10	11	12	
A	DIF17	DIF16#	DIF16	DIF15#	DIF15	DIF14#	DIF14	DIF13#	DIF13	DIF12#	DIF12	DIF11#	A
B	DIF17#	VDDO3.3	NC	<sup>^</sup> vSADR0_tri	NC	VDDA3.3	NC	<sup>^</sup> vSADR1_tri	NC	vOE12#	VDDO3.3	DIF11	B
C	DIF18	NC	<div style="border: 1px solid black; padding: 10px; text-align: center;"> <p>9QXL2001 6 x 6 mm, x 0.5mm pitch 80-VFQFPN Package Top View EPAD is GND</p> </div>								vOE11#	DIF10#	C
D	DIF18#	NC									NC	DIF10	D
E	DIF19	vSBEN									vOE10#/SHF T_LD#	vOE9#	E
F	DIF19#	NC									NC	DIF9#	F
G	DIF_IN	NC									NC	DIF9	G
H	DIF_IN#	VDDR3.3									vOE8#	DIF8#	H
J	DIF0	NC									NC	DIF8	J
K	DIF0#	NC									vOE7#	DIF7#	K
L	DIF1	VDDO3.3	NC	SMBDAT	SMBCLK	NC	NC	vOE5#/DATA	NC	vOE6#/CLK	VDDO3.3	DIF7	L
M	DIF1#	DIF2	DIF2#	DIF3	DIF3#	vCKPWRGD _PD#	DIF4	DIF4#	DIF5	DIF5#	DIF6	DIF6#	M
	1	2	3	4	5	6	7	8	9	10	11	12	

Note: Pins with ^ prefix have internal pull-up resistor.  
Pins with v prefix have internal pull-down resistor.  
Pins with <sup>^</sup>v prefix have internal pull-up/pull-down resistor network biasing input to VDD/2.

## Pin Descriptions

**Table 1. Pin Descriptions**

Number		Name	Type	Description
A	1	DIF17	Output	Differential true clock output.
A	2	DIF16#	Output	Differential complementary clock output.
A	3	DIF16	Output	Differential true clock output.
A	4	DIF15#	Output	Differential complementary clock output.
A	5	DIF15	Output	Differential true clock output.
A	6	DIF14#	Output	Differential complementary clock output.
A	7	DIF14	Output	Differential true clock output.
A	8	DIF13#	Output	Differential complementary clock output.
A	9	DIF13	Output	Differential true clock output.
A	10	DIF12#	Output	Differential complementary clock output.
A	11	DIF12	Output	Differential true clock output.
A	12	DIF11#	Output	Differential complementary clock output.
B	1	DIF17#	Output	Differential complementary clock output.
B	2	VDDO3.3	Power	Power supply for outputs. Nominally 3.3V.
B	3	NC	-	No connection.
B	4	$\wedge$ vSADR0_tri	Input	SMBus address bit. This is a tri-level input that works in conjunction with other SADR pins, if present, to decode SMBus addresses. It has internal pull-up/down resistors to bias to $V_{DD}/2$ . See the <a href="#">SMBus Address Selection</a> table.
B	5	NC	-	No connection.
B	6	VDDA3.3	Power	3.3V power for the PLL core.
B	7	NC	-	No connection.
B	8	$\wedge$ vSADR1_tri	Input	SMBus address bit. This is a tri-level input that works in conjunction with other SADR pins, if present, to decode SMBus addresses. It has internal pull-up/down resistors to bias to $V_{DD}/2$ . See the <a href="#">SMBus Address Selection</a> table.
B	9	NC	-	No connection.
B	10	vOE12#	Input	Active low input for enabling output 12. This pin has an internal pull-down. 1 = disable output, 0 = enable output.
B	11	VDDO3.3	Power	Power supply for outputs. Nominally 3.3V.
B	12	DIF11	Output	Differential true clock output.
C	1	DIF18	Output	Differential true clock output.
C	2	NC	-	No connection.
C	11	vOE11#	Input	Active low input for enabling output 11. This pin has an internal pull-down. 1 = disable output, 0 = enable output.
C	12	DIF10#	Output	Differential complementary clock output.
D	1	DIF18#	Output	Differential complementary clock output.
D	2	NC	-	No connection.

**Table 1. Pin Descriptions (Cont.)**

Number		Name	Type	Description
D	11	NC	-	No connection.
D	12	DIF10	Output	Differential true clock output.
E	1	DIF19	Output	Differential true clock output.
E	2	vSBEN	Input	Input that enables the Side-Band Interface for controlling output enables. This pin disables the output enable pins when asserted. It has an internal pull-down resistor. 0 = OE pins and SMBus enable bits control outputs, Side-band interface disabled. 1 = Side-Band Interface controls output enables, OE pins and SMBus enable bits are disabled.
E	11	vOE10#/SHFT_LD#	Input	Active low input for enabling output 10 or SHFT_LD# pin for the Side-Band Interface. Refer to the <a href="#">Side-Band Interface</a> section for details. This pin has an internal pull-down. <b>OE mode:</b> 1 = disable output, 0 = enable output. <b>Side-Band Mode:</b> 1 = enable Side-Band Interface shift register, 0 = disable Side-Band Interface shift register. A falling edge transfers Side-Band shift register contents to output register.
E	12	vOE9#	Input	Active low input for enabling output 9. This pin has an internal pull-down. 1 = disable output, 0 = enable output.
F	1	DIF19#	Output	Differential complementary clock output.
F	2	NC	-	No connection.
F	11	NC	-	No connection.
F	12	DIF9#	Output	Differential complementary clock output.
G	1	DIF_IN	Input	HCSL true input.
G	2	NC	-	No connection.
G	11	NC	-	No connection.
G	12	DIF9	Output	Differential true clock output.
H	1	DIF_IN#	Input	HCSL complementary input.
H	2	VDDR3.3	Power	Power supply for differential input clock (receiver). This V <sub>DD</sub> should be treated as an analog power rail and filtered appropriately. Nominally 3.3V.
H	11	vOE8#	Input	Active low input for enabling output 8. This pin has an internal pull-down. 1 = disable output, 0 = enable output.
H	12	DIF8#	Output	Differential complementary clock output.
J	1	DIF0	Output	Differential true clock output.
J	2	NC	-	No connection.
J	11	NC	-	No connection.
J	12	DIF8	Output	Differential true clock output.
K	1	DIF0#	Output	Differential complementary clock output.
K	2	NC	-	No connection.
K	11	vOE7#	Input	Active low input for enabling output 7. This pin has an internal pull-down. 1 = disable output, 0 = enable output.

**Table 1. Pin Descriptions (Cont.)**

Number		Name	Type	Description
K	12	DIF7#	Output	Differential complementary clock output.
L	1	DIF1	Output	Differential true clock output.
L	2	VDDO3.3	Power	Power supply for outputs. Nominally 3.3V.
L	3	NC	N/A	No connection.
L	4	SMBDAT	I/O	Data pin of SMBUS circuitry.
L	5	SMBCLK	Input	Clock pin of SMBUS circuitry.
L	6	NC	-	No connection.
L	7	NC	-	No connection.
L	8	vOE5#/DATA	Input	Active low input for enabling output 5 or the data pin for the Side-Band Interface. Refer to the <a href="#">Side-Band Interface</a> section for details. This pin has an internal pull-down. <b>OE mode:</b> 1 = disable output, 0 = enable output. <b>Side-Band mode:</b> Data pin.
L	9	NC	-	No connection.
L	10	vOE6#/CLK	Input	Active low input for enabling output 6 or the clock pin for the Side-Band Interface shift register. Refer to the <a href="#">Side-Band Interface</a> section for details. This pin has an internal pull-down. <b>OE mode:</b> 1 = disable output, 0 = enable output. <b>Side Band mode:</b> Clocks data into the Side-Band Interface shift register on the rising edge.
L	11	VDDO3.3	Power	Power supply for outputs. Nominally 3.3V.
L	12	DIF7	Output	Differential true clock output.
M	1	DIF1#	Output	Differential complementary clock output.
M	2	DIF2	Output	Differential true clock output.
M	3	DIF2#	Output	Differential complementary clock output.
M	4	DIF3	Output	Differential true clock output.
M	5	DIF3#	Output	Differential complementary clock output.
M	6	vCKPWRGD_PD#	Input	Input notifies device to sample latched inputs and start up on first high assertion. Low enters Power Down mode, subsequent high assertions exit Power Down mode. This pin has internal pull-down resistor.
M	7	DIF4	Output	Differential true clock output.
M	8	DIF4#	Output	Differential complementary clock output.
M	9	DIF5	Output	Differential true clock output.
M	10	DIF5#	Output	Differential complementary clock output.
M	11	DIF6	Output	Differential true clock output.
M	12	DIF6#	Output	Differential complementary clock output.
-	-	EPAD	GND	Connect EPAD to ground.

## Output Control

**Table 2. Output Control (SBEN = 0)**

		Traditional Interface		Side Band Interface		Outputs
CKPWRGD_PD#	DIF_IN	OEx bit Byte[2:0]	OEx# Pin	MASKx Byte[10:8]	Qx	DIFx
0	X	X	X	X	X	Low/Low
1	Running	0	X	X	X	Low/Low
		1	0	X	X	Running
		1	1	X	X	Low/Low
1	Stopped	1	0	X	X	Stopped
		1	1	X	X	Low/Low

**Table 3. Output Control (SBEN = 1)**

		Traditional Interface		Side Band Interface		Outputs
CKPWRGD_PD#	DIF_IN	OEx bit Byte[2:0]	OEx# Pin	MASKx Byte[10:8]	Qx	DIFx
0	X	X	X	X	X	Low/Low
1	Running	X	X	0	0	Low/Low
		X	X	0	1	Running
		X	X	1	X	Running
1	Stopped	X	X	0	0	Low/Low
		X	X	0	1	Stopped
		X	X	1	X	Stopped

## Power Management

**Table 4. Power Connections**

Pin Number		Description
V <sub>DD</sub>	GND	
B6, H2	EPAD	Analog
B2, B11, L2, L11	EPAD	Outputs

## Output Enable Control on 9QXL2001B (DB2000QL)

### Traditional Method

The 20-output 9QXL2001B has two methods for enabling and disabling outputs. The first is the traditional method of OE# pins and SMBus output enable bits. Outputs 5 through 12 have dedicated output enable pins and each of the 20 outputs have dedicated SMBus output enable bits in Bytes[0:2] of the SMBus register set.

### Side-Band Interface

The second method is a simple 3-wire serial interface referred to as the Side-Band Interface (SBI). This interface consists of DATA, CLK and SHFT\_LD# pins. When the SHFT\_LD# pin is high, the rising edge of CLK can shift DATA into the shift register. After shifting data, the falling edge of SHFT\_LD# clocks the shift register contents to the Output register.

Both the SBI and the traditional interface feed common output enable/disable synchronization logic ensuring glitch free enable and disable of outputs, regardless of the method used.

Both interfaces are not active at the same time, and the SBEN pin selects which interface is active. Tying the SBEN high enables the SBI. Tying the SBEN pin low enables the traditional OE# pin/SMBus output enable interface. When the SBI is enabled, OE[7:9, 11,12]# are disabled and DATA, CLK and SHFT\_LD# are enabled on OE5#, OE6# and OE10# respectively. Additionally, SMBus registers for masking off the disable function of the shift register (0 value of a bit) become active. When set to a one, the mask register forces its respective output to 'enabled'. This prevents accidentally disabling critical outputs when using the SBI.

An SMBus read back bit in Byte 4 indicates which output enable control interface is enabled.

When the SBI is enabled, and power has been applied, the SBI is active, even if the CKPWRGD\_PD# pin indicates the part is in power down. This allows loading the shift register and transferring the contents to the output register before the assertion of CKPWRGD. Note that the mask registers are part of the normal SMBus interface and cannot be accessed when the CKPWRGD\_PD# is low. Figure 1 provides a functional description of the SBI.

The SBI and the traditional SMBus output enable registers both default to the 'output enabled' state at power-up. The mask registers default to zero at power-up, allowing the shift register bits to disable their respective output. See [Figure 2](#).



**Figure 2. Side Band Interface Control Logic – Functional Description**

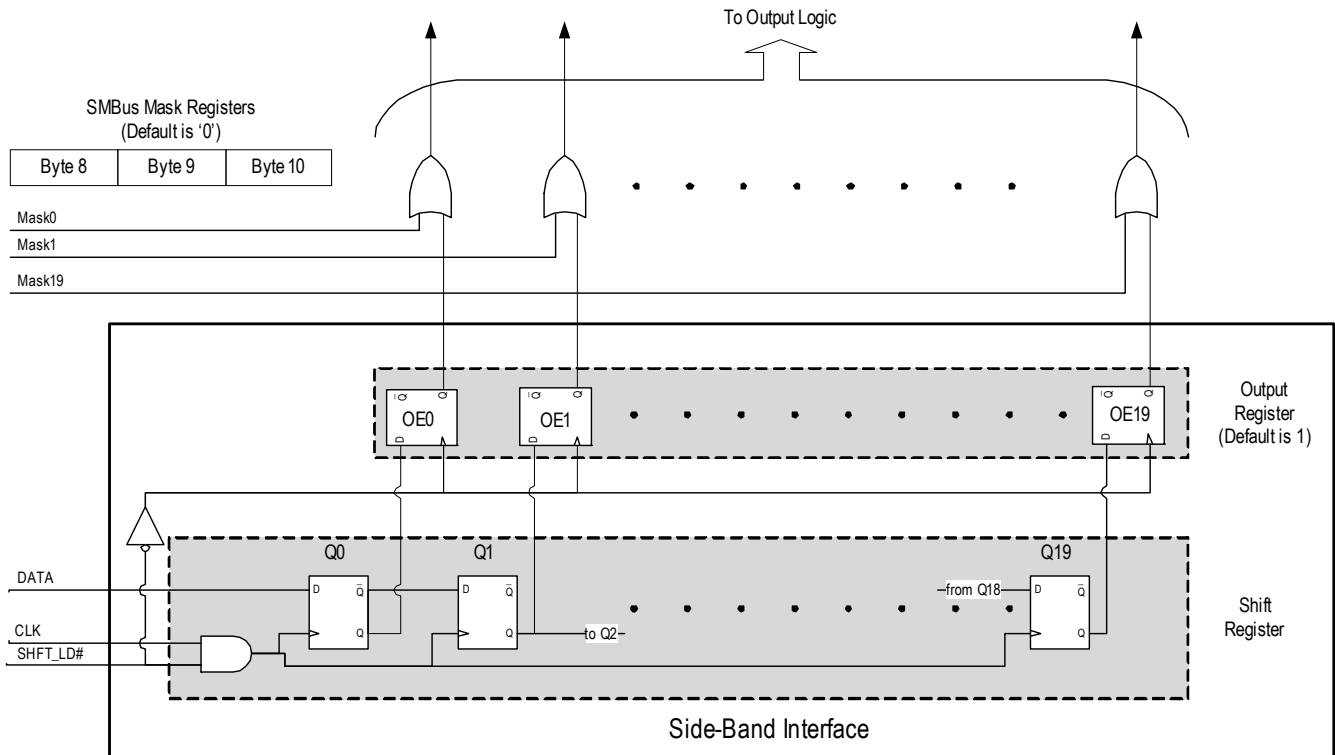
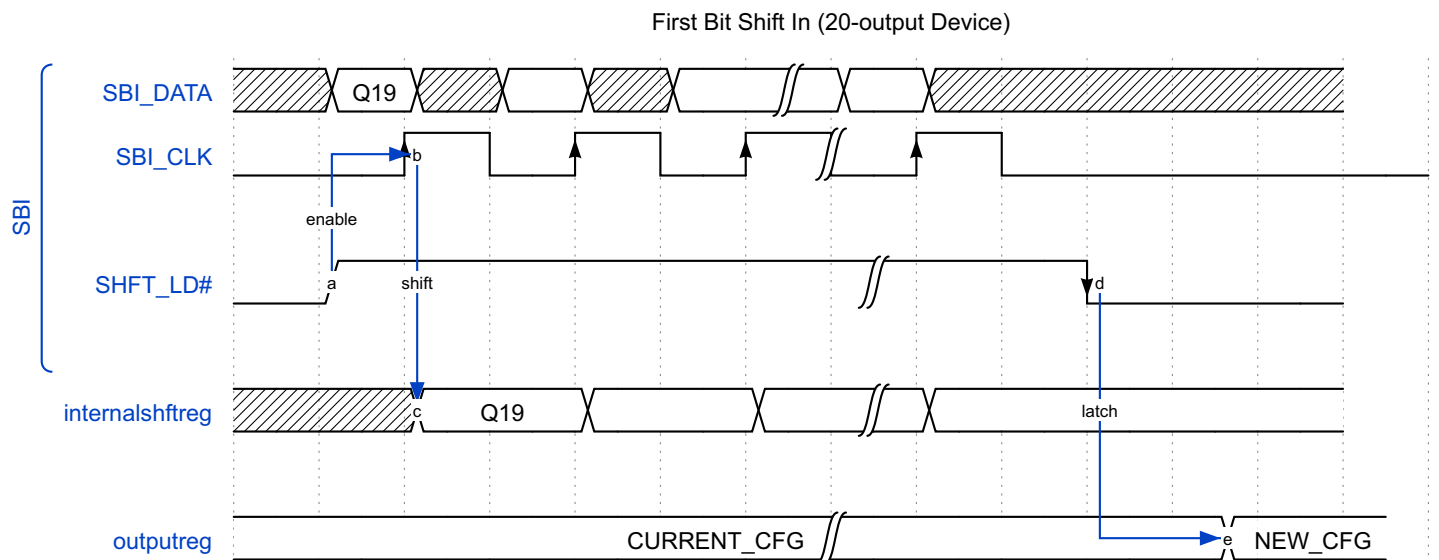


Figure 3 shows the basic timing of the side-band interface. The SHFT\_LD# pin goes high to enable the CLK input. Next, the rising edge of CLK clocks enable DATA into the shift register. After the 20th clock, stop the clock low and drive the SHFT\_LD# pin low. The falling edge of SHFT\_LD# clocks the shift register contents to the output register, enabling or disabling the outputs. Always shift 20 bits of data into the shift register to control the outputs.

**Figure 3. Side Band Interface Functional Timing**



The SBI interface supports clock rates up to 25MHz. Multiple devices may share CLK and DATA pins. Dedicating a SHFT\_LD# pin to each device allows its use as a chip-select pin. When the SHFT\_LD# pin is low, the 9QXL2001 ignores any activity on the CLK and DATA pins.

## Absolute Maximum Ratings

The absolute maximum ratings are stress ratings only. Stresses greater than those listed below can cause permanent damage to the device. Functional operation of the 9QXL2001B at absolute maximum ratings is not implied. Exposure to absolute maximum rating conditions may affect device reliability.

**Table 5. Absolute Maximum Ratings**

Parameter	Symbol	Conditions	Minimum	Typical	Maximum	Units	Notes
Supply Voltage	$V_{DDx}$		-	-	3.9	V	1,2
Input Low Voltage	$V_{IL}$		GND - 0.5	-	-	V	1
Input High Voltage	$V_{IH}$	Except for SMBus interface.	-	-	$V_{DD} + 0.5$	V	1,3
Input High Voltage	$V_{IHSMB}$	SMBus clock and data pins.	-	-	3.9	V	1
Storage Temperature	$T_S$		-65	-	150	°C	1
Junction Temperature	$T_J$	Maximum operating junction temperature.	-	-	125	°C	1
Input ESD Protection	ESD Prot	Human Body Model.	2500	-	-	V	1

<sup>1</sup> Confirmed by design and characterization, not 100% tested in production.

<sup>2</sup> Operation under these conditions is neither implied nor guaranteed.

<sup>3</sup> Not to exceed 3.9V.

## Thermal Characteristics

**Table 6. Thermal Characteristics**

Parameter	Symbol	Conditions	Package	Typical Value	Units	Notes
Thermal Resistance	$\theta_{JC}$	Junction to case.	NHG80	44	°C/W	1
	$\theta_{Jb}$	Junction to base.		2	°C/W	1
	$\theta_{JA0}$	Junction to air, still air.		33	°C/W	1
	$\theta_{JA1}$	Junction to air, 1 m/s air flow.		29	°C/W	1
	$\theta_{JA3}$	Junction to air, 3 m/s air flow.		28	°C/W	1
	$\theta_{JA5}$	Junction to air, 5 m/s air flow.		27	°C/W	1

<sup>1</sup> EPAD soldered to board.

## Electrical Characteristics

$T_A = T_{AMB}$ . Supply voltages per normal operation conditions; see [Test Loads](#) for loading conditions.

**Table 7. SMBus**

Parameter	Symbol	Conditions	Minimum	Typical	Maximum	Units	Notes
SMBus Input Low Voltage	$V_{ILSMB}$		-	-	0.8	V	-
SMBus Input High Voltage	$V_{IHSMB}$		2.1	-	$V_{DDSMB}$	V	-
SMBus Output Low Voltage	$V_{OLSMB}$	At $I_{PULLUP}$ .	-	-	0.4	V	-
SMBus Sink Current	$I_{PULLUP}$	At $V_{OL}$ .	4	-	-	mA	-
Nominal Bus Voltage	$V_{DDSMB}$		2.7	-	3.6	V	1
SCLK/SDATA Rise Time	$t_{RSMB}$	(Max $V_{IL} - 0.15V$ ) to (Min $V_{IH} + 0.15V$ ).	-	-	1000	ns	1
SCLK/SDATA Fall Time	$t_{FSMB}$	(Min $V_{IH} + 0.15V$ ) to (Max $V_{IL} - 0.15V$ ).	-	-	300	ns	1
SMBus Operating Frequency	$f_{SMB}$	SMBus operating frequency.	-	-	400	kHz	5

<sup>1</sup> Confirmed by design and characterization, not 100% tested in production.

<sup>2</sup> Control input must be monotonic from 20% to 80% of input swing.

<sup>3</sup> Time from deassertion until outputs are > 200mV.

<sup>4</sup> DIF\_IN input.

<sup>5</sup> The device must be powered up with CKPWRGD\_PD# = '1' for the SMBus to be active

**Table 8. DIF\_IN Clock Input Parameters**

Parameter	Symbol	Conditions	Minimum	Typical	Maximum	Units	Notes
Input Crossover Voltage – DIF_IN	$V_{CROSS}$	Crossover voltage.	100	-	900	mV	1
Input Swing – DIF_IN	$V_{SWING}$	Differential value.	200	-	-	mV	1
Input Slew Rate – DIF_IN	dv/dt	Measured differentially.	0.7	-	-	V/ns	1,2
Input Leakage Current	$I_{IN}$	CLK_IN#, $V_{IN} = 0.8V$ , CLK_IN, $V_{IN} = V_{DD}$ .	-150	-	40	$\mu A$	-
Input Duty Cycle	$d_{tin}$	Measurement from differential waveform.	45	-	55	%	1

<sup>1</sup> Confirmed by design and characterization, not 100% tested in production.

<sup>2</sup> Slew rate measured through  $\pm 75mV$  window centered around differential zero.

**Table 9. Input/Supply/Common Parameters**

Parameter	Symbol	Conditions	Minimum	Typical	Maximum	Units	Notes
Supply Voltage	$V_{DDx}$	Supply voltage for core and analog.	3.135	3.3	3.465	V	-
Ambient Operating Temperature	$T_{AMB}$	Industrial range.	-40	25	85	$^{\circ}C$	-
Input High Voltage	$V_{IH}$	Single-ended inputs, except SMBus, tri-level inputs.	2	-	$V_{DD} + 0.3$	V	-
Input Low Voltage	$V_{IL}$	Single-ended inputs, except SMBus, tri-level inputs.	GND - 0.3	-	0.8	V	-

**Table 9. Input/Supply/Common Parameters (Cont.)**

Parameter	Symbol	Conditions	Minimum	Typical	Maximum	Units	Notes
Input High Voltage	$V_{IH}$	Tri-level inputs.	2.2	-	$V_{DD} + 0.3$	V	-
Input Mid Voltage	$V_{IM}$	Tri-level inputs.	1.2	$V_{DD}/2$	1.8	V	-
Input Low Voltage	$V_{IL}$	Tri-level inputs.	GND - 0.3	-	0.8	V	-
Input Current	$I_{IN}$	Single-ended inputs, $V_{IN} = \text{GND}$ , $V_{IN} = V_{DD}$ .	-5	-	5	$\mu\text{A}$	-
	$I_{INP}$	Single-ended inputs. $V_{IN} = 0\text{ V}$ ; inputs with internal pull-up resistors. $V_{IN} = V_{DD}$ ; inputs with internal pull-down resistors.	-50	-	50	$\mu\text{A}$	-
Input Frequency	$F_{IN}$	$V_{DD} = 3.3\text{V}$ .	1	-	400	MHz	-
Pin Inductance	$L_{pin}$		-	-	7	nH	1
Capacitance	$C_{IN}$	Logic inputs, except DIF_IN.	1.5	-	5	pF	1
	$C_{INDIF\_IN}$	DIF_IN differential clock inputs.	1.5	-	2.7	pF	1,4
	$C_{OUT}$	Output pin capacitance.	-	-	6	pF	1
Clk Stabilization	$T_{STAB}$	From $V_{DD}$ power-up and after input clock stabilization or de-assertion of PD# to 1st clock.	-	1.0	1.8	ms	1,2
OE# Latency	$t_{LATO\#}$	DIF start after OE# assertion. DIF stop after OE# deassertion.	4	5	10	clocks	1,2,3
Tdrive_PD#	$t_{DRVPD}$	DIF output enable after PD# de-assertion.	-	76	300	$\mu\text{s}$	1,3
Tfall	$t_F$	Fall time of control inputs.	-	-	5	ns	2
Trise	$t_R$	Rise time of control inputs.	-	-	5	ns	2

<sup>1</sup> Confirmed by design and characterization, not 100% tested in production.

<sup>2</sup> Control input must be monotonic from 20% to 80% of input swing.

<sup>3</sup> Time from deassertion until outputs are > 200mV.

<sup>4</sup> DIF\_IN input.

**Table 10. Side Band Interface**

Parameter	Symbol	Conditions	Minimum	Typical	Maximum	Units	Notes
Clock Period	$t_{PERIOD}$	Clock period.	40	-	-	ns	-
Setup Time to Clock	$t_{SETUP}$	SHFT setup to CLK rising edge.	10	-	-	ns	-
Data Setup Time	$t_{DSU}$	DATA setup to CLK rising edge.	5	-	-	ns	-
Data Hold Time	$t_{DHOLD}$	DATA hold after CLK rising edge.	2	-	-	ns	1
Delay Time	$t_{DELAY}$	Delay from CLK rising edge to LD# falling edge.	10	-	-	ns	1
Propagation Delay	$t_{PD}$	Delay from LD# falling edge to next output configuration taking effect.	4	-	10	clocks	3
Slew Rate	$t_{SLEW}$	CLK input (between 20% and 80%).	0.7	-	4	V/ns	2

<sup>1</sup> Confirmed by design and characterization, not 100% tested in production.

<sup>2</sup> Control input must be monotonic from 20% to 80% of input swing.

<sup>3</sup> Refers to device differential input clock.

**Table 11. LP-HCSL Outputs Driving High Impedance Receiver at 100MHz**

Parameter	Symbol	Conditions	Minimum	Typical	Maximum	Industry Limit	Units	Notes
Slew Rate	dV/dt	Scope averaging on, fast setting.	2	2.4	3.5	2 to 4	V/ns	1,2,3
Rise/Fall Matching	$\Delta tR/tF$	Single-ended measurement.	-	4.8	15	20	%	
Maximum Voltage	Vmax	Measurement on single ended signal using absolute value. (scope averaging off).	700	800	900	660 to 1150	mV	7,8
Minimum Voltage	Vmin		-150	-43	75	-300 to +150		1,5,7,8
Crossing Voltage (abs)	Vcross_abs	Scope averaging off.	250	391	550	250 to 550	mV	1,6,7
Crossing Voltage (var)	$\Delta$ -Vcross	Scope averaging off.	-	18	50	140	mV	1,6,7

<sup>1</sup> Confirmed by design and characterization, not 100% tested in production.

<sup>2</sup> Measured from differential waveform.

<sup>3</sup> Slew rate is measured through the Vswing voltage range centered around differential 0 V. This results in a  $\pm 150$ mV window around differential 0V.

<sup>4</sup> Matching applies to rising edge rate for Clock and falling edge rate for Clock#. It is measured using a  $\pm 75$ mV window centered on the average cross point where Clock rising meets Clock# falling. The median cross point is used to calculate the voltage thresholds the oscilloscope is to use for the edge rate calculations.

<sup>5</sup> Vcross is defined as voltage where Clock = Clock# measured on a component test board and only applies to the differential rising edge (i.e. Clock rising and Clock# falling).

<sup>6</sup> The total variation of all Vcross measurements in any particular system. Note that this is a subset of Vcross\_min/max (Vcross absolute) allowed. The intent is to limit Vcross induced modulation by setting  $\Delta$ -Vcross to be smaller than Vcross absolute.

<sup>7</sup> At default SMBus settings.

<sup>8</sup> Includes 300mV of overshoot for Vmax and 300mV of undershoot for Vmin.

**Table 12. Current Consumption**

Parameter	Symbol	Conditions	Minimum	Typical	Maximum	Units
Operating Supply Current	I <sub>DDVDD</sub>	Source termination, all outputs 100MHz, C <sub>L</sub> = 2pF; Z <sub>o</sub> = 85 $\Omega$ .	-	169	195	mA
	I <sub>DDVDDA/R</sub>		-	5	6	mA
Powerdown Current	I <sub>DDVDDPD</sub>	All differential pairs low-low.	-	1	2	mA
	I <sub>DDVDDA/RPD</sub>	All differential pairs low-low.	-	2	3	mA

**Table 13. Skew and Differential Jitter Parameters**

Parameter	Symbol	Conditions	Minimum	Typical	Maximum	Units	Notes
CLK_IN, DIF[x:0]	t <sub>PD</sub>	Input-to-output skew.	2.3	2.7	3.3	ns	1,2,3,4,5,7
CLK_IN, DIF[x:0]	t <sub>PDVARIATION</sub>	Input-to-output skew variation for a given device at a given voltage.	-	-	2	ps/°C	1,2,3,5,8
DIF[x:0]	t <sub>SKEW_ALL</sub>	Output-to-output skew across all outputs.	-	35	50	ps	1,2,3,7
Duty Cycle Distortion	t <sub>DCD</sub>	Measured differentially at 100MHz.	-0.5	-0.2	0.5	%	1,6,7

<sup>1</sup> Measured into fixed 2pF load cap. Input to output skew is measured at the first output edge following the corresponding input.

<sup>2</sup> Measured from differential cross-point to differential cross-point.

<sup>3</sup> All input-to-output specs refer to the timing between an input edge and the specific output edge created by it.

<sup>4</sup> Measured with scope averaging on to find mean value.

<sup>5</sup> Confirmed by design and characterization, not 100% tested in production.

<sup>6</sup> Duty cycle distortion is the difference in duty cycle between the output and the input clock when the device is operated in bypass mode.

<sup>7</sup> Measured from differential waveform.

<sup>8</sup> This is the amount of input-to-output delay variation with respect to temperature. This is equivalent to 250ps over the -40°C to +85°C temperature range.

**Table 14. Filtered Phase Jitter Parameters – PCIe Common Clocked (CC) Architectures**

Parameter	Symbol	Conditions	Minimum	Typical	Maximum	Industry Limits	Units	Notes
Additive Phase Jitter	$t_{jphPCIeG1-CC}$	PCIe Gen1	-	0.2	5	Not applicable	ps (p-p)	1,2,3,4
	$t_{jphPCIeG2-CC}$	PCIe Gen2 Low Band 10kHz < f < 1.5MHz (PLL BW of 5–16MHz or 8–5MHz, CDR = 5MHz)	-	0.004	0.005		ps (rms)	1,2,4,6
		PCIe Gen2 High Band 1.5MHz < f < Nyquist (50MHz) (PLL BW of 5–16MHz or 8–5MHz, CDR = 5MHz)	-	0.07	0.09		ps (rms)	1,2,4,6
	$t_{jphPCIeG3/4-CC}$	PCIe Gen3, Gen4 (PLL BW of 2–4MHz or 2–5MHz, CDR = 10MHz)	-	0.03	0.04		ps (rms)	1,2,4,6
	$t_{jphPCIeG5-CC}$	PCIe Gen5 (see PCIe Gen5 specifications for details)	-	0.01	0.02		ps (rms)	1,2,4,6

**Table 15. Filtered Phase Jitter Parameters – PCIe Independent Reference (IR) Architectures**

Parameter	Symbol	Conditions	Minimum	Typical	Maximum	Industry Limits	Units	Notes
Additive Phase Jitter	$t_{jphPCIeG2-SRIS}$	PCIe Gen2 (PLL BW of 16MHz, CDR = 5MHz)	-	0.09	0.11	Not applicable	ps (rms)	1,2,4,6
	$t_{jphPCIeG3-SRIS}$	PCIe Gen3 (PLL BW of 2–4MHz, CDR = 10MHz)	-	0.02	0.03		ps (rms)	1,2,4,6

**Notes on PCIe Filtered Phase Jitter tables**

<sup>1</sup> Applies to all differential outputs, confirmed by design and characterization.

<sup>2</sup> Applies to all outputs when driven by a low phase noise source.

<sup>3</sup> Sample size of at least 100K cycles. This figure extrapolates to 108ps pk-pk at 1M cycles for a BER of 1<sup>-12</sup>.

<sup>4</sup> Additive jitter for RMS values is calculated by solving the following equation for b [ $b = \sqrt{c^2 - a^2}$ ] where “a” is rms input jitter and “c” is rms total jitter.

<sup>5</sup> IR is the new name for Separate Reference Independent Spread (SRIS) and Separate Reference no Spread (SRNS) PCIe clock architectures. According to the PCIe Base Specification Rev4.0 version 1.0, the jitter transfer functions and corresponding jitter limits are not defined for the IR clock architecture. The IR filters from the PCIe Base Specification, Rev 3.1a are used to populate this table. There are no accepted filters or limits for IR clock architectures at PCIe Gen1 or Gen4 data rates at the time of publication.

<sup>6</sup> Measured using SMA100B signal source, or equivalent, and a phase noise analyzer.

**Table 16. Filtered Phase Jitter Parameters – DB2000Q Filter**

Parameter	Symbol	Conditions	Minimum	Typical	Maximum	Specification Limit	Units	Notes
Additive Phase Jitter	$t_{jphDB2000Qadd}$	100MHz	-	23	25	80	fs (rms)	1,2,3

<sup>1</sup> Measured using SMA100B signal source, or equivalent, and a phase noise analyzer.

<sup>2</sup> After applying DB2000Q filter.

<sup>3</sup> Additive jitter for RMS values is calculated by solving for b where  $[b = \sqrt{c^2 - a^2}]$  where “a” is rms input jitter and “c” is rms total jitter.

**Table 17. Unfiltered Phase Jitter Parameters – 12kHz to 20MHz**

Parameter	Symbol	Conditions	Minimum	Typical	Maximum	Industry Limits	Units	Notes
Additive Phase Jitter	$t_{jph12k-20Madd}$	100MHz	-	97	106	Not applicable	fs (rms)	1,2,3
		156.25MHz	-	86	94			

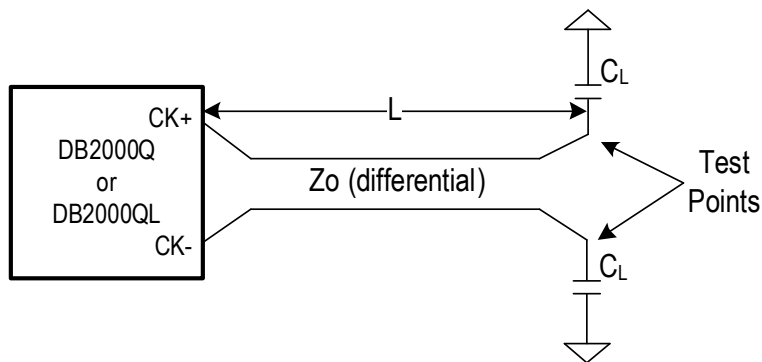
<sup>1</sup> Measured using SMA100B signal source, or equivalent, and a phase noise analyzer.

<sup>2</sup> 12kHz-20MHz brick wall filter.

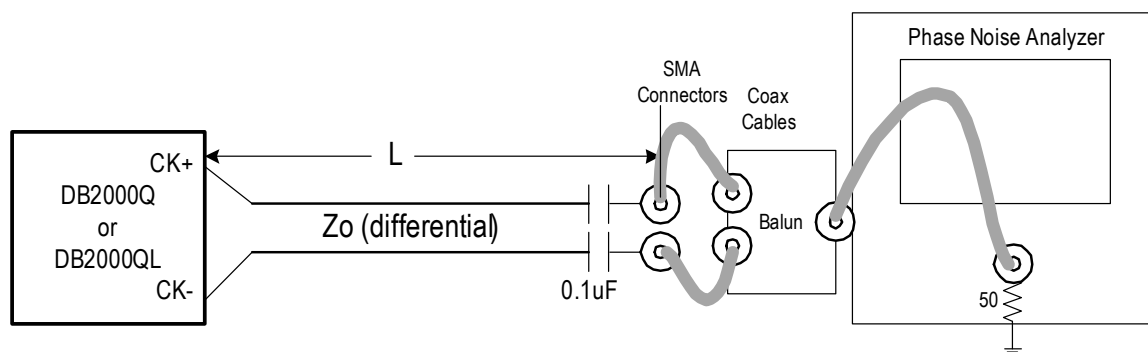
<sup>3</sup> Additive jitter for RMS values is calculated by solving for b where  $[b = \sqrt{c^2 - a^2}]$  where “a” is rms input jitter and “c” is rms total jitter.

## Test Loads

**Figure 4. AC/DC Test Load for High Impedance Receivers**



**Figure 5. Test Setup for DB2000Q Additive Phase Jitter Measurement**



**Table 18. Parameters for Test Loads**

Rs ( $\Omega$ )	Zo ( $\Omega$ )	L (cm)	C <sub>L</sub> (pF)
Internal	85	25.4	2

## Alternate Terminations

The LP-HCSL output can easily drive other logic families. See [“AN-891 Driving LVPECL, LVDS, and CML Logic with “Universal” Low-Power HCSL Outputs”](#) for termination schemes for LVPECL, LVDS, CML and SSTL.

## SMBus Addressing

**Table 19. SMBus Address Selection**

SADR(1:0)_tri	SMBus Address (Read/Write bit = 0)
00	D8
0M	DA
01	DE
M0	C2
MM	C4
M1	C6
10	CA
1M	CC
11	CE



## General SMBus Serial Interface Information

### How to Write

- Controller (host) sends a start bit
- Controller (host) sends the write address
- Renesas clock will **acknowledge**
- Controller (host) sends the beginning byte location = N
- Renesas clock will **acknowledge**
- Controller (host) sends the byte count = X
- Renesas clock will **acknowledge**
- Controller (host) starts sending Byte N through Byte N+X-1
- Renesas clock will **acknowledge** each byte **one at a time**
- Controller (host) sends a stop bit

Index Block Write Operation		
Controller (Host)		Renesas (Slave/Receiver)
T	starT bit	
Slave Address		
WR	WRite	
Beginning Byte = N		ACK
		ACK
Data Byte Count = X		ACK
Beginning Byte N		ACK
O	X Byte	O
O		O
O		O
		O
Byte N + X - 1		ACK
P	stoP bit	

### How to Read

- Controller (host) will send a start bit
- Controller (host) sends the write address
- Renesas clock will **acknowledge**
- Controller (host) sends the beginning byte location = N
- Renesas clock will **acknowledge**
- Controller (host) will send a separate start bit
- Controller (host) sends the read address
- Renesas clock will **acknowledge**
- Renesas clock will send the data byte count = X
- Renesas clock sends Byte N+X-1
- Renesas clock sends **Byte 0 through Byte X (if X<sub>(H)</sub> was written to Byte 8)**
- Controller (host) will need to acknowledge each byte
- Controller (host) will send a not acknowledge bit
- Controller (host) will send a stop bit

Index Block Read Operation		
Controller (Host)		Renesas (Slave/Receiver)
T	starT bit	
Slave Address		
WR	WRite	
Beginning Byte = N		ACK
		ACK
RT	Repeat starT	
Slave Address		
RD	ReaD	
		ACK
		Data Byte Count=X
ACK		Beginning Byte N
ACK		O
O		O
O		O
O		
		Byte N + X - 1
N	Not acknowledge	
P	stoP bit	

**SMBus Table: Output Enable Register (functional only when SBEN = 0)**

Byte 0	Name	Control Function	Type	0	1	Default
Bit 7	Reserved					0
Bit 6	DIF_19_En	Output Enable	RW	Low/Low	Enable	1
Bit 5	DIF_18_En	Output Enable	RW	Low/Low	Enable	1
Bit 4	DIF_17_En	Output Enable	RW	Low/Low	Enable	1
Bit 3	DIF_16_En	Output Enable	RW	Low/Low	Enable	1
Bit 2	Reserved					0
Bit 1	Reserved					0
Bit 0	Reserved					0

**SMBus Table: Output Enable Register (functional only when SBEN = 0)**

Byte 1	Name	Control Function	Type	0	1	Default
Bit 7	DIF_7_En	Output Enable	RW	Disabled Low/Low	OE7# Controls	1
Bit 6	DIF_6_En	Output Enable	RW		OE6# Controls	1
Bit 5	DIF_5_En	Output Enable	RW		OE5# Controls	1
Bit 4	DIF_4_En	Output Enable	RW		Enabled	1
Bit 3	DIF_3_En	Output Enable	RW		Enabled	1
Bit 2	DIF_2_En	Output Enable	RW		Enabled	1
Bit 1	DIF_1_En	Output Enable	RW		Enabled	1
Bit 0	DIF_0_En	Output Enable	RW		Enabled	1

**SMBus Table: Output Enable Register (functional only when SBEN = 0)**

Byte 2	Name	Control Function	Type	0	1	Default
Bit 7	DIF_15_En	Output Enable	RW	Low/Low	Enabled	1
Bit 6	DIF_14_En	Output Enable	RW		Enabled	1
Bit 5	DIF_13_En	Output Enable	RW		Enabled	1
Bit 4	DIF_12_En	Output Enable	RW		OE12# Controls	1
Bit 3	DIF_11_En	Output Enable	RW		OE11# Controls	1
Bit 2	DIF_10_En	Output Enable	RW		OE10# Controls	1
Bit 1	DIF_9_En	Output Enable	RW		OE9# Controls	1
Bit 0	DIF_8_En	Output Enable	RW		OE8# Controls	1

**SMBus Table: OE# Pin Readback Register**

Byte 3	Name	Control Function	Type	0	1	Default
Bit 7	RB_OE12	Status of OE12#	R	Pin Low	Pin High	Real-time
Bit 6	RB_OE11	Status of OE11#	R			Real-time
Bit 5	RB_OE10	Status of OE10#	R			Real-time
Bit 4	RB_OE9	Status of OE9#	R			Real-time
Bit 3	RB_OE8	Status of OE8#	R			Real-time
Bit 2	RB_OE7	Status of OE7#	R			Real-time
Bit 1	RB_OE6	Status of OE6#	R			Real-time
Bit 0	RB_OE5	Status of OE5#	R			Real-time

**SMBus Table: SBEN Readback Register**

Byte 4	Name	Control Function	Type	0	1	Default
Bit 7		Reserved				0
Bit 6		Reserved				0
Bit 5		Reserved				0
Bit 4		Reserved				0
Bit 3		Reserved				0
Bit 2		Reserved				0
Bit 1		Reserved				0
Bit 0	RB_SBEN	Status of SBEN	R	Pin Low	Pin High	Real-time

**SMBus Table: Vendor & Revision ID Register**

Byte 5	Name	Control Function	Type	0	1	Default
Bit 7	RID3	REVISION ID	R	B rev is 0001		0
Bit 6	RID2		R			0
Bit 5	RID1		R			x
Bit 4	RID0		R			x
Bit 3	VID3	VENDOR ID	R	Renesas		0
Bit 2	VID2		R			0
Bit 1	VID1		R			0
Bit 0	VID0		R			1

**SMBus Table: Device ID**

Byte 6	Name	Control Function	Type	0	1	Default
Bit 7	Device ID 7 (MSB)		R	C9		1
Bit 6	Device ID 6		R			1
Bit 5	Device ID 5		R			0
Bit 4	Device ID 4		R			0
Bit 3	Device ID 3		R			1
Bit 2	Device ID 2		R			0
Bit 1	Device ID 1		R			x
Bit 0	Device ID 0		R			1

**SMBus Table: Byte Count Register**

Byte 7	Name	Control Function	Type	0	1	Default
Bit 7	Reserved					0
Bit 6	Reserved					0
Bit 5	Reserved					0
Bit 4	BC4	Writing to this register configures how many bytes will be read back.	RW	Default value is 7.		0
Bit 3	BC3		RW			0
Bit 2	BC2		RW			1
Bit 1	BC1		RW			1
Bit 0	BC0		RW			1

**SMBus Table: Side Band Mask Register (Register functional only when SBEN = 1)**

Byte8	Name	Control Function	Type	0	1	Default	
Bit 7	Mask7	Masks off Side-band Disable	RW	Side-band shift register may disable the output	Forces output to always be enabled regardless of side-band shift register value	0	
Bit 6	Mask6	Masks off Side-band Disable	RW				0
Bit 5	Mask5	Masks off Side-band Disable	RW				0
Bit 4	Mask4	Masks off Side-band Disable	RW				0
Bit 3	Mask3	Masks off Side-band Disable	RW				0
Bit 2	Mask2	Masks off Side-band Disable	RW				0
Bit 1	Mask1	Masks off Side-band Disable	RW				0
Bit 0	Mask0	Masks off Side-band Disable	RW				0

**SMBus Table: Side Band Mask Register (Register functional only when SBEN = 1)**

Byte 9	Name	Control Function	Type	0	1	Default
Bit 7	Mask15	Masks off Side-band Disable	RW	Side-band shift register may disable the output	Forces output to always be enabled regardless of side-band shift register value	0
Bit 6	Mask14	Masks off Side-band Disable	RW			0
Bit 5	Mask13	Masks off Side-band Disable	RW			0
Bit 4	Mask12	Masks off Side-band Disable	RW			0
Bit 3	Mask11	Masks off Side-band Disable	RW			0
Bit 2	Mask10	Masks off Side-band Disable	RW			0
Bit 1	Mask9	Masks off Side-band Disable	RW			0
Bit 0	Mask8	Masks off Side-band Disable	RW			0

**SMBus Table: Side Band Mask Register (Register functional only when SBEN = 1)**

Byte 10	Name	Control Function	Type	0	1	Default
Bit 7	Reserved					0
Bit 6	Reserved					0
Bit 5	Reserved					0
Bit 4	Reserved					0
Bit 3	Mask19	Masks off Side-band Disable	RW	Side-band shift register may disable the output	Forces output to always be enabled regardless of side-band shift register value	0
Bit 2	Mask18	Masks off Side-band Disable	RW			0
Bit 1	Mask17	Masks off Side-band Disable	RW			0
Bit 0	Mask16	Masks off Side-band Disable	RW			0

Bytes 11 through 19 are Reserved.

**SMBus Table: Stop State Configuration Register**

Byte 20	Name	Control Function	Type	0	1	Default
Bit 7	AMP[2]	Global Differential output Control	RW	0.3V~1V 100mV/step Default=750mV		1
Bit 6	AMP[1]		RW			0
Bit 5	AMP[0]		RW			1
Bit 4	Reserved					0
Bit 3	Reserved					0
Bit 2	Reserved					1
Bit 1	STOPST[1]	Differential Stop Mode State	RW	00 = Low/Low	10 = High/Low	0
Bit 0	STOPST[0]		RW	01 = HiZ/HiZ	11 = Low/High	0

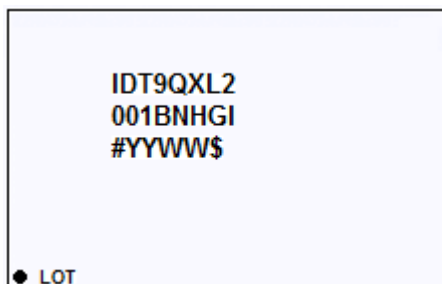
**SMBus Table: PD\_RESTORE**

Byte 21	Name	Control Function	Type	0	1	Default
Bit 7	Reserved					0
Bit 6	Reserved					0
Bit 5	Reserved					0
Bit 4	Reserved					0
Bit 3	PD_RESTORE#	Save Configuration in Power Down	RW	Config Cleared	Config Saved	1
Bit 2	Reserved					0
Bit 1	Reserved					0
Bit 0	Reserved					0

**Package Outline Drawings**

The package outline drawings are located at the end of this document and are accessible from the Renesas website (see [Ordering Information](#) for POD links). The package information is the most current data available and is subject to change without revision of this document.

**Marking Diagram**



- Lines 1 and 2: part number
  - “I” denotes industrial temperature.
- Line 3:
  - “#” denotes the stepping number.
  - “YYWW” is the last digits of the year and work week that the part was assembled.
  - “\$” denotes mark code.
- “LOT” denotes the lot sequence code.

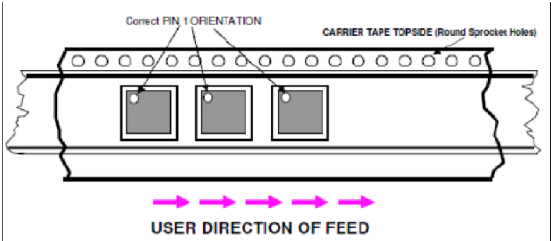
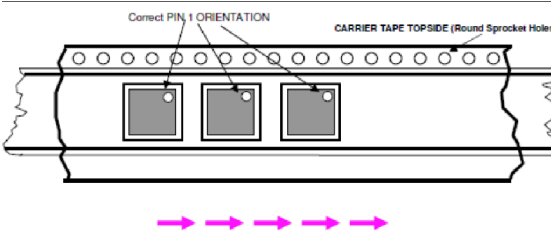
**Ordering Information**

Part Number	Package Description	Carrier Type	Temperature Range
9QXL2001BNHGI	6 × 6 mm, 0.5mm pitch <a href="#">80-VFQFPN</a>	Tray	-40° to +85°C
9QXL2001BNHGI8	6 × 6 mm, 0.5mm pitch <a href="#">80-VFQFPN</a>	Tape and Reel, Pin 1 Orientation: EIA-481-C	-40° to +85°C
9QXL2001BNHGI8/W	6 × 6 mm, 0.5mm pitch <a href="#">80-VFQFPN</a>	Tape and Reel, Pin 1 Orientation: EIA-481-D	-40° to +85°C

“G” designates PB-free configuration, RoHS compliant.

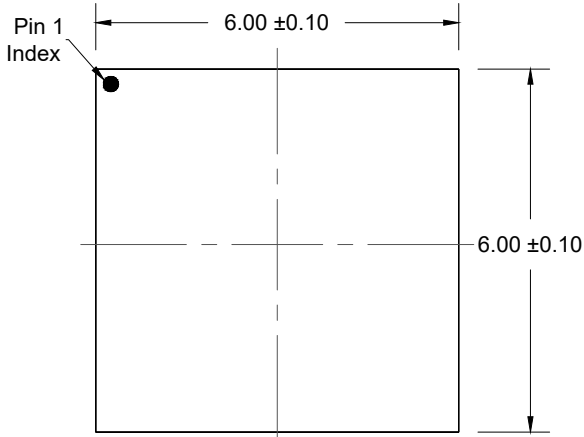
“B” is the device revision designator (will not correlate with the datasheet revision).

**Table 20. Pin 1 Orientation in Tape and Reel Packaging**

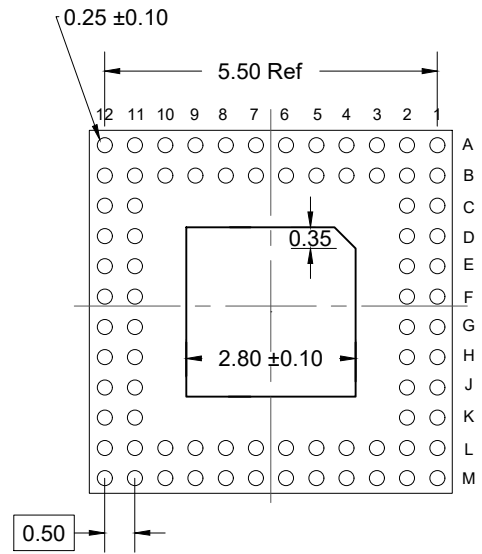
Part Number Suffix	Pin 1 Orientation	Illustration
8	Quadrant 1 (EIA-481-C)	
/W	Quadrant 2 (EIA-481-D)	

## Revision History

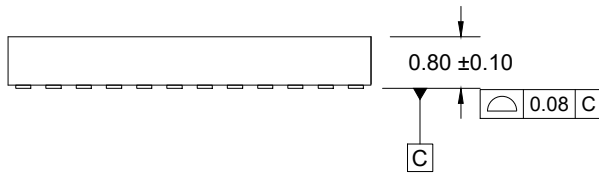
Revision Date	Description of Change
February 17, 2022	<ul style="list-style-type: none"> <li>▪ Added 9QXL2001BNHG18/W to <a href="#">Ordering Information</a> table and updated part information.</li> <li>▪ Added <a href="#">Pin 1 Orientation in Tape and Reel Packaging</a> table.</li> </ul>
September 7, 2021	Vendor specific Bytes 11 to 18 are now marked as reserved.
June 28, 2021	Updated “Side Band Interface Functional Timing” diagram and functional description text.
December 1, 2020	Updated “Simple 3-wire Side-Band Interface...” Features sub-bullet on front page.
August 25, 2020	Updated DB2000Q specifications in <i>Key Specifications</i> section on front page.
May 6, 2020	<ul style="list-style-type: none"> <li>▪ Added <math>t_{PDVARIATION}</math> specification to Table 13. Footnote 8 added.</li> <li>▪ Adjusted Input to output skew minimum and maximum values in Table 13.</li> <li>▪ Changed Slew Rate Matching to Rise/Fall Matching in Table 11.</li> <li>▪ Updated maximum slew rate from 4V/ns to 3.5V/ns in Table 11.</li> </ul>
January 7, 2020	Updated Bytes 0, 1, and 2 register tables to SBEN = 0.
June 10, 2019	Updated Marking Diagram notes.
May 28, 2019	Updated $I_{DDVDD}$ typical value from 143mA to 169mA.
February 26, 2019	Added Thermal Characteristics table.
February 15, 2019	Initial release.



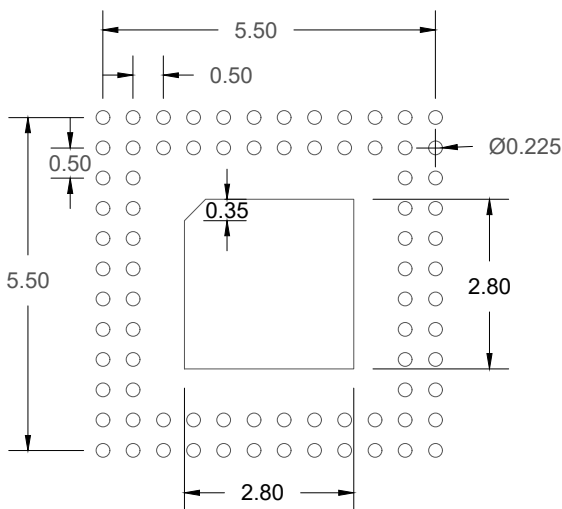
TOP VIEW



BOTTOM VIEW



SIDE VIEW



RECOMMENDED LAND PATTERN

(PCB Top View, NSMD Design)

**NOTES:**

1. JEDEC compatible
2. All dimensions are in mm and angles are in degrees
3. Use  $\pm 0.05$  mm tolerance for all other dimensions
4. Numbers in ( ) are for reference only



## IMPORTANT NOTICE AND DISCLAIMER

RENESAS ELECTRONICS CORPORATION AND ITS SUBSIDIARIES (“RENESAS”) PROVIDES TECHNICAL SPECIFICATIONS AND RELIABILITY DATA (INCLUDING DATASHEETS), DESIGN RESOURCES (INCLUDING REFERENCE DESIGNS), APPLICATION OR OTHER DESIGN ADVICE, WEB TOOLS, SAFETY INFORMATION, AND OTHER RESOURCES “AS IS” AND WITH ALL FAULTS, AND DISCLAIMS ALL WARRANTIES, EXPRESS OR IMPLIED, INCLUDING, WITHOUT LIMITATION, ANY IMPLIED WARRANTIES OF MERCHANTABILITY, FITNESS FOR A PARTICULAR PURPOSE, OR NON-INFRINGEMENT OF THIRD PARTY INTELLECTUAL PROPERTY RIGHTS.

These resources are intended for developers skilled in the art designing with Renesas products. You are solely responsible for (1) selecting the appropriate products for your application, (2) designing, validating, and testing your application, and (3) ensuring your application meets applicable standards, and any other safety, security, or other requirements. These resources are subject to change without notice. Renesas grants you permission to use these resources only for development of an application that uses Renesas products. Other reproduction or use of these resources is strictly prohibited. No license is granted to any other Renesas intellectual property or to any third party intellectual property. Renesas disclaims responsibility for, and you will fully indemnify Renesas and its representatives against, any claims, damages, costs, losses, or liabilities arising out of your use of these resources. Renesas' products are provided only subject to Renesas' Terms and Conditions of Sale or other applicable terms agreed to in writing. No use of any Renesas resources expands or otherwise alters any applicable warranties or warranty disclaimers for these products.

(Rev.1.0 Mar 2020)

### Corporate Headquarters

TOYOSU FORESIA, 3-2-24 Toyosu,  
Koto-ku, Tokyo 135-0061, Japan  
[www.renesas.com](http://www.renesas.com)

### Contact Information

For further information on a product, technology, the most up-to-date version of a document, or your nearest sales office, please visit:  
[www.renesas.com/contact/](http://www.renesas.com/contact/)

### Trademarks

Renesas and the Renesas logo are trademarks of Renesas Electronics Corporation. All trademarks and registered trademarks are the property of their respective owners.