

FEATURES:

- 5Ω A/B bi-directional switch
- Isolation Under Power-Off Conditions
- Over-voltage tolerant
- Latch-up performance exceeds 100mA
- Vcc = 2.3V - 3.6V, normal range
- ESD >2000V per MIL-STD-883, Method 3015; >200V using machine model (C = 200pF, R = 0)
- Available in TSSOP package

APPLICATIONS:

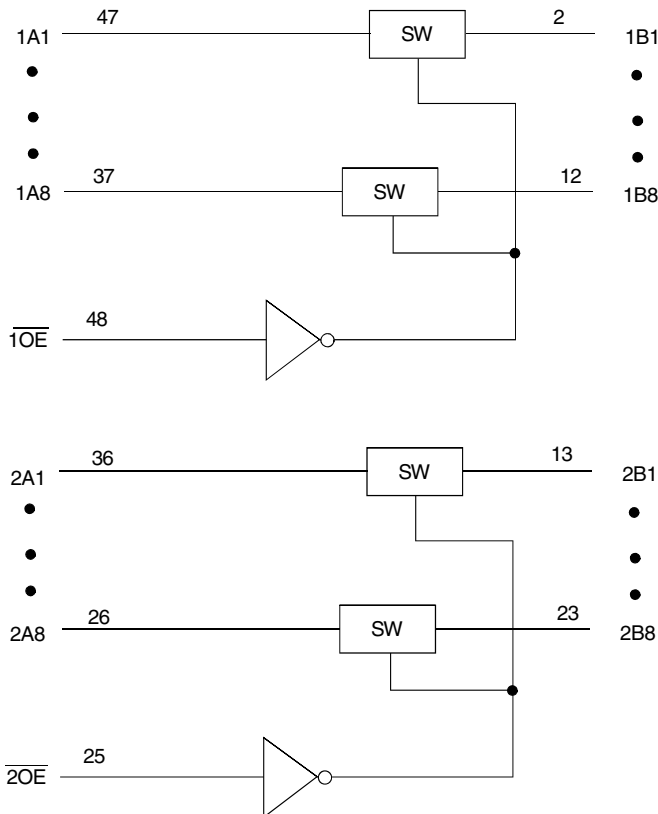
- 3.3V High Speed Bus Switching and Bus Isolation

DESCRIPTION:

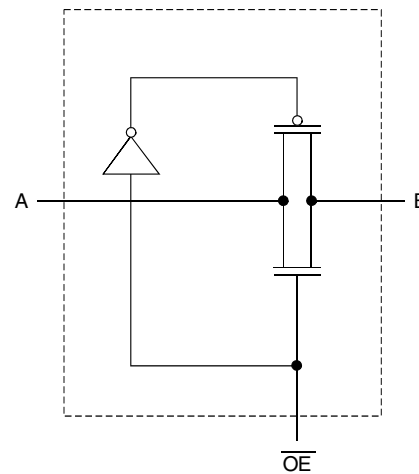
The CBTLV16245 is a set of 16-bit bus switches. It has standard 16245 pinouts. The device is organized as dual 8-bit low resistance switches with independent Output Enable (\overline{xOE}) control inputs. The switches can be turned on under the control of the LVTTTL-compatible Output Enable signals (\overline{xOE}) for bidirectional data flow between port A and port B. When \overline{xOE} is high, the switch is off and a high impedance exists between Port A and Port B.

To ensure the high-impedance state during power up or power down, \overline{OE} should be tied to Vcc through a pullup resistor.

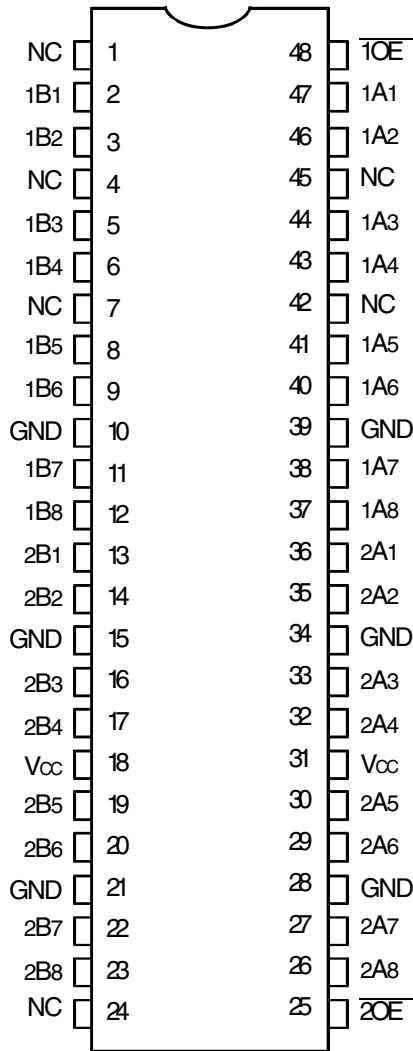
FUNCTIONAL BLOCK DIAGRAM



SIMPLIFIED SCHEMATIC, EACH SWITCH



PIN CONFIGURATION



TOP VIEW

| Package Type | Package Code | Order Code |
|--------------|--------------|------------|
| TSSOP | PAG48 | PAG |

ABSOLUTE MAXIMUM RATINGS⁽¹⁾

| Symbol | Description | Max. | Unit |
|------------------|---|-------------|------|
| V _{CC} | Supply Voltage Range | -0.5 to 4.6 | V |
| V _I | Input Voltage Range | -0.5 to 4.6 | V |
| I _{IC} | Continuous Channel Current | 128 | mA |
| I _{IK} | Input Clamp Current, V _{I/O} < 0 | -50 | mA |
| T _{STG} | Storage Temperature Range | -65 to +150 | °C |

NOTE:

- Stresses greater than those listed under ABSOLUTE MAXIMUM RATINGS may cause permanent damage to the device. This is a stress rating only and functional operation of the device at these or any other conditions above those indicated in the operational sections of this specification is not implied. Exposure to absolute maximum rating conditions for extended periods may affect reliability.

PIN DESCRIPTION

| Pin Names | Description |
|------------------|----------------------------|
| \overline{xOE} | Output Enable (Active LOW) |
| xAx | Port A Inputs or Outputs |
| xBx | Port B Inputs or Outputs |

FUNCTION TABLE (EACH 8-BIT BUS SWITCH)⁽¹⁾

| Input | Operation |
|-----------------|-----------------|
| \overline{OE} | |
| L | A-Port = B-Port |
| H | Disconnect |

NOTE:

- H = HIGH Voltage Level
L = LOW Voltage Level

OPERATING CHARACTERISTICS⁽¹⁾

| Symbol | Parameter | Test Conditions | Min. | Max. | Unit |
|-----------------|----------------------------------|--------------------------------|------|------|------|
| V _{CC} | Supply Voltage | | 2.3 | 3.6 | V |
| V _{IH} | High-Level Control Input Voltage | V _{CC} = 2.3V to 2.7V | 1.7 | — | V |
| | | V _{CC} = 2.7V to 3.6V | 2 | — | |
| V _{IL} | Low-Level Control Input Voltage | V _{CC} = 2.3V to 2.7V | — | 0.7 | V |
| | | V _{CC} = 2.7V to 3.6V | — | 0.8 | |
| T _A | Operating Free-Air Temperature | | -40 | +85 | °C |

NOTE:

- All unused control inputs of the device must be held at V_{CC} or GND to ensure proper device operation.

DC ELECTRICAL CHARACTERISTICS OVER OPERATING RANGE

Following Conditions Apply Unless Otherwise Specified:

Operating Condition: TA = -40°C to +85°C

| Symbol | Parameter | Test Conditions | Min. | Typ. ⁽¹⁾ | Max. | Unit | | |
|---------------------------------|--|---|-----------------------|-----------------------|------|------|---|----|
| V _{IK} | Control Inputs, Data I/O | V _{CC} = 3V, I _I = -18mA | — | — | -1.2 | V | | |
| I _I | Control Inputs | V _{CC} = 3.6V, V _I = V _{CC} or GND | — | — | ±1 | μA | | |
| I _{OZ} | Data I/O | V _{CC} = 3.6V, V _O = 0V or 3.6V switch disabled | — | — | 5 | μA | | |
| I _{OFF} | | V _{CC} = 0V, V _I or V _O = 0V or 3.6V | — | — | 10 | μA | | |
| I _{CC} | | V _{CC} = 3.6V, I _O = 0, V _I = V _{CC} or GND | — | — | 10 | μA | | |
| ΔI _{CC} ⁽²⁾ | Control Inputs | V _{CC} = 3.6V, one input at 3V, other inputs at V _{CC} or GND | — | — | 300 | μA | | |
| C _I | Control Inputs | V _I = 3V or 0 | — | 4 | — | pF | | |
| C _{IO(OFF)} | | V _O = 3V or 0, \overline{OE} = V _{CC} | — | 9 | — | pF | | |
| R _{ON} ⁽³⁾ | Max. at V _{CC} = 2.3V Typ. at V _{CC} = 2.5V | V _I = 0 | I _O = 64mA | — | 5 | 8 | Ω | |
| | | | I _O = 24mA | — | 5 | 8 | | |
| | V _{CC} = 3V | V _I = 1.7V | I _O = 15mA | — | 27 | 40 | | |
| | | | V _I = 0 | I _O = 64mA | — | 5 | | 7 |
| | | | | I _O = 24mA | — | 5 | | 7 |
| | | | V _I = 2.4V | I _O = 15mA | — | 10 | | 15 |

NOTES:

1. Typical values are at 3.3V, +25°C ambient.
2. The increase in supply current is attributable to each input that is at the specified voltage level rather than V_{CC} or GND.
3. This is measured by the voltage drop between the A and B terminals at the indicated current through the switch.

SWITCHING CHARACTERISTICS

| Symbol | Parameter | V _{CC} = 2.5V ± 0.2V | | V _{CC} = 3.3V ± 0.3V | | Unit |
|--------------------------------|--|-------------------------------|------|-------------------------------|------|------|
| | | Min. | Max. | Min. | Max. | |
| t _{PD} ⁽¹⁾ | Propagation Delay A to B or B to A | — | 0.15 | — | 0.25 | ns |
| t _{EN} | Output Enable Time \overline{OE} to A or B | 1 | 5 | 1 | 4.5 | ns |
| t _{DIS} | Output Disable time \overline{OE} to A or B | 1 | 5.5 | 1 | 5 | ns |

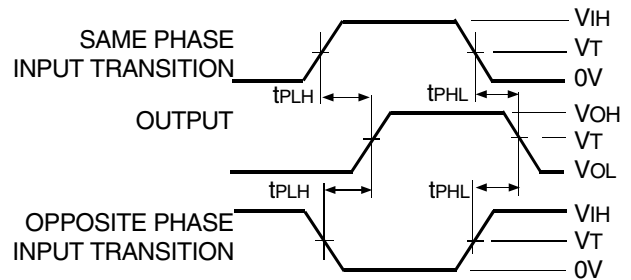
NOTE:

1. The propagation delay is the calculated RC time constant of the typical on-state resistance of the switch and the specified load capacitance when driven by an ideal voltage source (zero output impedance).

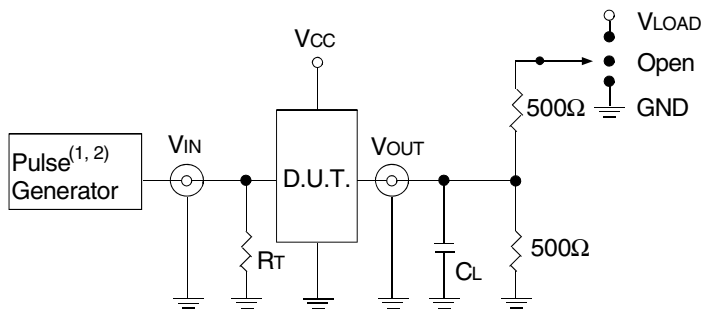
TEST CIRCUITS AND WAVEFORMS

TEST CONDITIONS

| Symbol | V _{CC} ⁽¹⁾ = 3.3V ± 0.3V | V _{CC} ⁽²⁾ = 2.5V ± 0.2V | Unit |
|-------------------|--|--|------|
| V _{LOAD} | 6 | 2 x V _{CC} | V |
| V _{IH} | 3 | V _{CC} | V |
| V _T | 1.5 | V _{CC} / 2 | V |
| V _{LZ} | 300 | 150 | mV |
| V _{HZ} | 300 | 150 | mV |
| C _L | 50 | 30 | pF |



Propagation Delay



Test Circuits for All Outputs

DEFINITIONS:

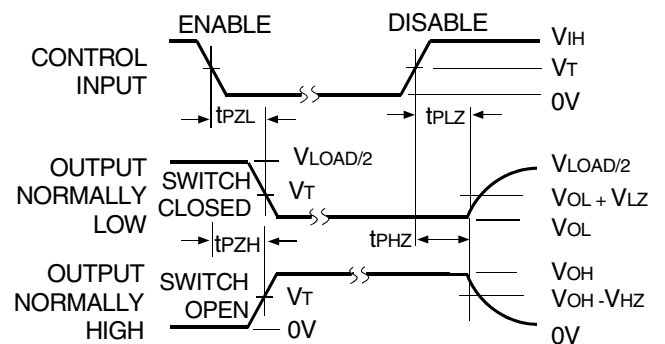
C_L = Load capacitance: includes jig and probe capacitance.
R_T = Termination resistance: should be equal to Z_{OUT} of the Pulse Generator.

NOTES:

1. Pulse Generator for All Pulses: Rate ≤ 10MHz; t_r ≤ 2.5ns; t_f ≤ 2.5ns.
2. Pulse Generator for All Pulses: Rate ≤ 10MHz; t_r ≤ 2ns; t_f ≤ 2ns.

SWITCH POSITION

| Test | Switch |
|------------------------------------|-------------------|
| t _{PLZ} /t _{PZL} | V _{LOAD} |
| t _{PHZ} /t _{PZH} | GND |
| t _{PD} | Open |

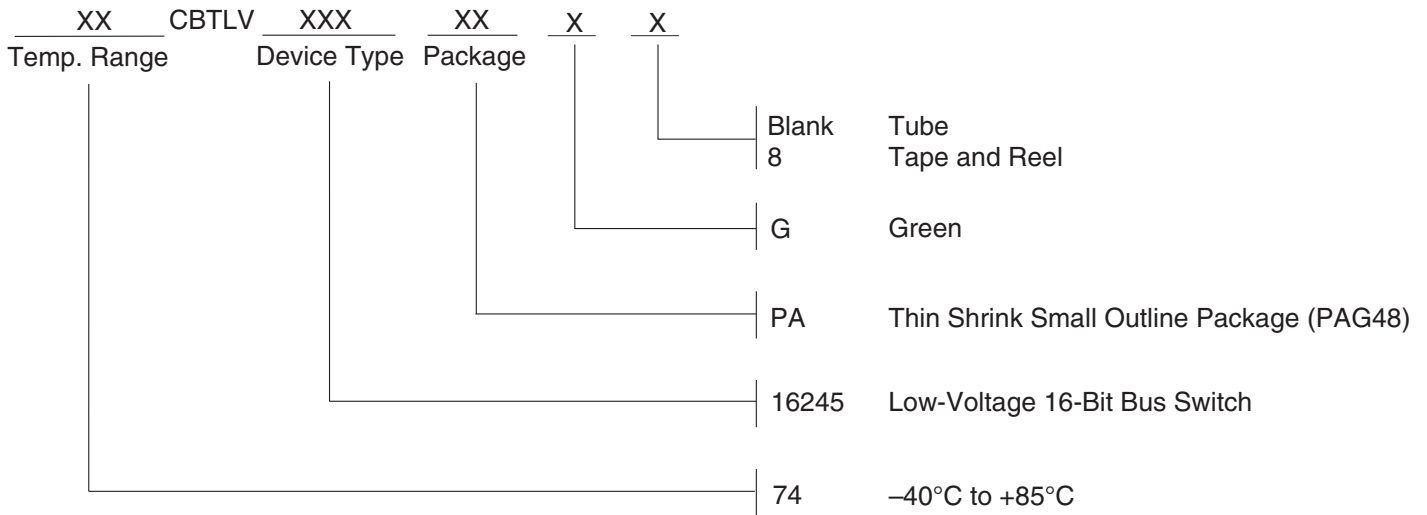


NOTE:

1. Diagram shown for input Control Enable-LOW and input Control Disable-HIGH.

Enable and Disable Times

ORDERING INFORMATION



Orderable Part Information

| Speed (ns) | Orderable Part ID | Pkg. Code | Pkg. Type | Temp. Grade |
|------------|-------------------|-----------|-----------|-------------|
| | 74CBTLV16245PAG | PAG48 | TSSOP | I |
| | 74CBTLV16245PAG8 | PAG48 | TSSOP | I |

Datasheet Document History

- 12/04/2014 Pg. 1,2,5 Updated the ordering information by removing the "IDT" notation, obsolete package "TVSOP" and non RoHS part and by adding Tape and Reel information.
- 05/06/2019 Pg. 2,6 Added table under pin configuration diagram with detailed package information and orderable part information table. Updated the ordering information diagram in clearer detail.

IMPORTANT NOTICE AND DISCLAIMER

RENESAS ELECTRONICS CORPORATION AND ITS SUBSIDIARIES (“RENESAS”) PROVIDES TECHNICAL SPECIFICATIONS AND RELIABILITY DATA (INCLUDING DATASHEETS), DESIGN RESOURCES (INCLUDING REFERENCE DESIGNS), APPLICATION OR OTHER DESIGN ADVICE, WEB TOOLS, SAFETY INFORMATION, AND OTHER RESOURCES “AS IS” AND WITH ALL FAULTS, AND DISCLAIMS ALL WARRANTIES, EXPRESS OR IMPLIED, INCLUDING, WITHOUT LIMITATION, ANY IMPLIED WARRANTIES OF MERCHANTABILITY, FITNESS FOR A PARTICULAR PURPOSE, OR NON-INFRINGEMENT OF THIRD-PARTY INTELLECTUAL PROPERTY RIGHTS.

These resources are intended for developers who are designing with Renesas products. You are solely responsible for (1) selecting the appropriate products for your application, (2) designing, validating, and testing your application, and (3) ensuring your application meets applicable standards, and any other safety, security, or other requirements. These resources are subject to change without notice. Renesas grants you permission to use these resources only to develop an application that uses Renesas products. Other reproduction or use of these resources is strictly prohibited. No license is granted to any other Renesas intellectual property or to any third-party intellectual property. Renesas disclaims responsibility for, and you will fully indemnify Renesas and its representatives against, any claims, damages, costs, losses, or liabilities arising from your use of these resources. Renesas' products are provided only subject to Renesas' Terms and Conditions of Sale or other applicable terms agreed to in writing. No use of any Renesas resources expands or otherwise alters any applicable warranties or warranty disclaimers for these products.

(Disclaimer Rev.1.01 Jan 2024)

Corporate Headquarters

TOYOSU FORESIA, 3-2-24 Toyosu,
Koto-ku, Tokyo 135-0061, Japan
www.renesas.com

Trademarks

Renesas and the Renesas logo are trademarks of Renesas Electronics Corporation. All trademarks and registered trademarks are the property of their respective owners.

Contact Information

For further information on a product, technology, the most up-to-date version of a document, or your nearest sales office, please visit www.renesas.com/contact-us/.