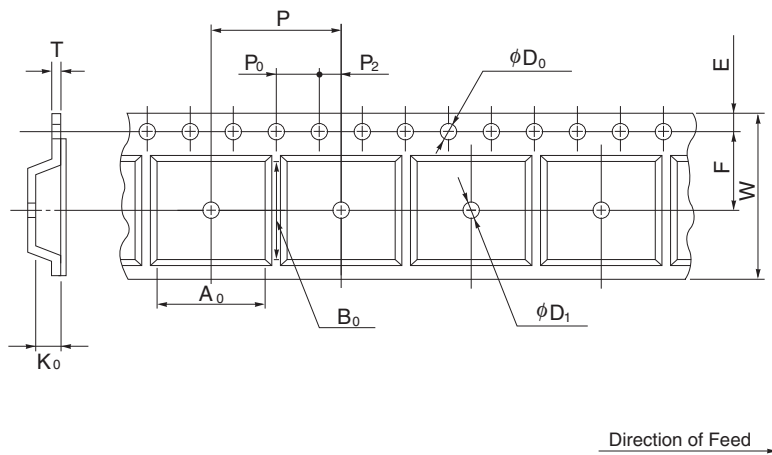


EMBOSS TAPE CONTAINER

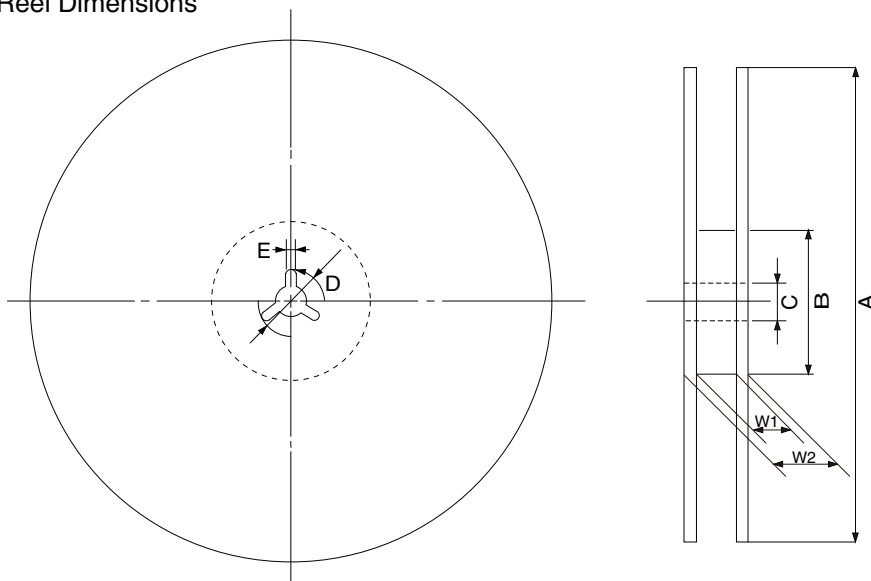
Tape Dimensions



(unit : mm)

Symbol	Specification
A_0	10.8
B_0	10.5
K_0	3.0
W	16.0±0.3
F	7.5±0.1
E	1.75±0.1
P	12.0±0.1
P_2	2.0±0.1
P_0	4.0±0.1
D_0	1.5 ^{+0.1} ₀
T	0.3
D_1	1.5 MIN.

Reel Dimensions



(Unit: mm)

Symbol	Specification
A	$\phi 330 \pm 2.0$
B	$\phi 100$
C	$\phi 13.0 \pm 0.2$
D	$\phi 21.0 \pm 0.8$
E	2.0±0.5
W_1	17.5
W_2	21.5

Applied Package	Quantity (pcs)
16-pin Plastic SOP(9.53 mm (375))	MAX. 1,500