

To our customers,

---

## Old Company Name in Catalogs and Other Documents

---

On April 1<sup>st</sup>, 2010, NEC Electronics Corporation merged with Renesas Technology Corporation, and Renesas Electronics Corporation took over all the business of both companies. Therefore, although the old company name remains in this document, it is a valid Renesas Electronics document. We appreciate your understanding.

Renesas Electronics website: <http://www.renesas.com>

April 1<sup>st</sup>, 2010  
Renesas Electronics Corporation

Issued by: Renesas Electronics Corporation (<http://www.renesas.com>)

Send any inquiries to <http://www.renesas.com/inquiry>.

## Notice

1. All information included in this document is current as of the date this document is issued. Such information, however, is subject to change without any prior notice. Before purchasing or using any Renesas Electronics products listed herein, please confirm the latest product information with a Renesas Electronics sales office. Also, please pay regular and careful attention to additional and different information to be disclosed by Renesas Electronics such as that disclosed through our website.
2. Renesas Electronics does not assume any liability for infringement of patents, copyrights, or other intellectual property rights of third parties by or arising from the use of Renesas Electronics products or technical information described in this document. No license, express, implied or otherwise, is granted hereby under any patents, copyrights or other intellectual property rights of Renesas Electronics or others.
3. You should not alter, modify, copy, or otherwise misappropriate any Renesas Electronics product, whether in whole or in part.
4. Descriptions of circuits, software and other related information in this document are provided only to illustrate the operation of semiconductor products and application examples. You are fully responsible for the incorporation of these circuits, software, and information in the design of your equipment. Renesas Electronics assumes no responsibility for any losses incurred by you or third parties arising from the use of these circuits, software, or information.
5. When exporting the products or technology described in this document, you should comply with the applicable export control laws and regulations and follow the procedures required by such laws and regulations. You should not use Renesas Electronics products or the technology described in this document for any purpose relating to military applications or use by the military, including but not limited to the development of weapons of mass destruction. Renesas Electronics products and technology may not be used for or incorporated into any products or systems whose manufacture, use, or sale is prohibited under any applicable domestic or foreign laws or regulations.
6. Renesas Electronics has used reasonable care in preparing the information included in this document, but Renesas Electronics does not warrant that such information is error free. Renesas Electronics assumes no liability whatsoever for any damages incurred by you resulting from errors in or omissions from the information included herein.
7. Renesas Electronics products are classified according to the following three quality grades: “Standard”, “High Quality”, and “Specific”. The recommended applications for each Renesas Electronics product depends on the product’s quality grade, as indicated below. You must check the quality grade of each Renesas Electronics product before using it in a particular application. You may not use any Renesas Electronics product for any application categorized as “Specific” without the prior written consent of Renesas Electronics. Further, you may not use any Renesas Electronics product for any application for which it is not intended without the prior written consent of Renesas Electronics. Renesas Electronics shall not be in any way liable for any damages or losses incurred by you or third parties arising from the use of any Renesas Electronics product for an application categorized as “Specific” or for which the product is not intended where you have failed to obtain the prior written consent of Renesas Electronics. The quality grade of each Renesas Electronics product is “Standard” unless otherwise expressly specified in a Renesas Electronics data sheets or data books, etc.
  - “Standard”: Computers; office equipment; communications equipment; test and measurement equipment; audio and visual equipment; home electronic appliances; machine tools; personal electronic equipment; and industrial robots.
  - “High Quality”: Transportation equipment (automobiles, trains, ships, etc.); traffic control systems; anti-disaster systems; anti-crime systems; safety equipment; and medical equipment not specifically designed for life support.
  - “Specific”: Aircraft; aerospace equipment; submersible repeaters; nuclear reactor control systems; medical equipment or systems for life support (e.g. artificial life support devices or systems), surgical implantations, or healthcare intervention (e.g. excision, etc.), and any other applications or purposes that pose a direct threat to human life.
8. You should use the Renesas Electronics products described in this document within the range specified by Renesas Electronics, especially with respect to the maximum rating, operating supply voltage range, movement power voltage range, heat radiation characteristics, installation and other product characteristics. Renesas Electronics shall have no liability for malfunctions or damages arising out of the use of Renesas Electronics products beyond such specified ranges.
9. Although Renesas Electronics endeavors to improve the quality and reliability of its products, semiconductor products have specific characteristics such as the occurrence of failure at a certain rate and malfunctions under certain use conditions. Further, Renesas Electronics products are not subject to radiation resistance design. Please be sure to implement safety measures to guard them against the possibility of physical injury, and injury or damage caused by fire in the event of the failure of a Renesas Electronics product, such as safety design for hardware and software including but not limited to redundancy, fire control and malfunction prevention, appropriate treatment for aging degradation or any other appropriate measures. Because the evaluation of microcomputer software alone is very difficult, please evaluate the safety of the final products or system manufactured by you.
10. Please contact a Renesas Electronics sales office for details as to environmental matters such as the environmental compatibility of each Renesas Electronics product. Please use Renesas Electronics products in compliance with all applicable laws and regulations that regulate the inclusion or use of controlled substances, including without limitation, the EU RoHS Directive. Renesas Electronics assumes no liability for damages or losses occurring as a result of your noncompliance with applicable laws and regulations.
11. This document may not be reproduced or duplicated, in any form, in whole or in part, without prior written consent of Renesas Electronics.
12. Please contact a Renesas Electronics sales office if you have any questions regarding the information contained in this document or Renesas Electronics products, or if you have any other inquiries.

(Note 1) “Renesas Electronics” as used in this document means Renesas Electronics Corporation and also includes its majority-owned subsidiaries.

(Note 2) “Renesas Electronics product(s)” means any product developed or manufactured by or for Renesas Electronics.

---

## M16C/63 Group

### The Use Example of the Real-time Clock

---

#### 1. Abstract

This document describes an example of using the M16C/63 to provide a real-time clock (RTC).

#### 2. Introduction

The application example described in this document applies to the following MCU:

- MCU: M16C/63 Group

The sample program in this application note can be used with other M16C Family MCUs which have the same special function registers (SFRs) as the above group. Check the manual for any modifications to functions. Careful evaluation is recommended before using the program described in this application note.

### 3. Application Example

#### 3.1 Explanation

This explains how to use the real-time clock periodic interrupt and the real-time clock alarm interrupt. After reset, the LED turns off and the MCU enters to wait mode.

When a real-time clock alarm interrupt occurs, the clock enters to date/time display mode after the MCU exits the wait mode. The following is an explanation of a reference program example where a real-time clock periodic interrupt occurs every second, and the date and time data is retrieved within the interrupt process, causing the LED to turn on.

Figure 3.1 shows a state transition example of the reference program.

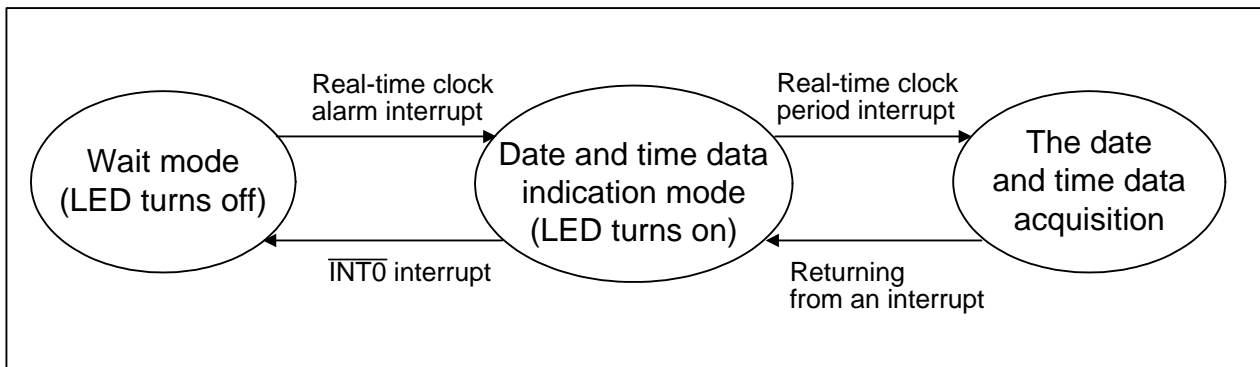


Figure 3.1 State Transition Example

### 3.2 The Operations in Application Example

The following explains the operations of this application note.

- (1) The current time is initialized and the real-time clock is set.
- (2) The real-time clock starts.
- (3) The alarm data is set at three minutes after the current time. The minute alarm and the hour alarm are enabled. Bits ILVL2 to ILVL0 in the RTCTIC register are specified as 000b (interrupt disabled). The  $\overline{\text{INT0}}$  interrupt is also disabled.
- (4) The LED turns off and the MCU enters the wait mode.
- (5) When the current time and alarm data match, the MCU exits the wait mode through the real-time clock alarm interrupt.
- (6) The  $\overline{\text{INT0}}$  interrupt priority level is set to 7.
- (7) The date and time data are output to the port.
- (8)-1 The real-time clock periodic interrupt occurs every second, and the date and time data is stored in a variable within the real-time clock periodic interrupt process, then the program returns to step (7).
- (8)-2 If an  $\overline{\text{INT0}}$  interrupt occurs, the program returns to step (3).

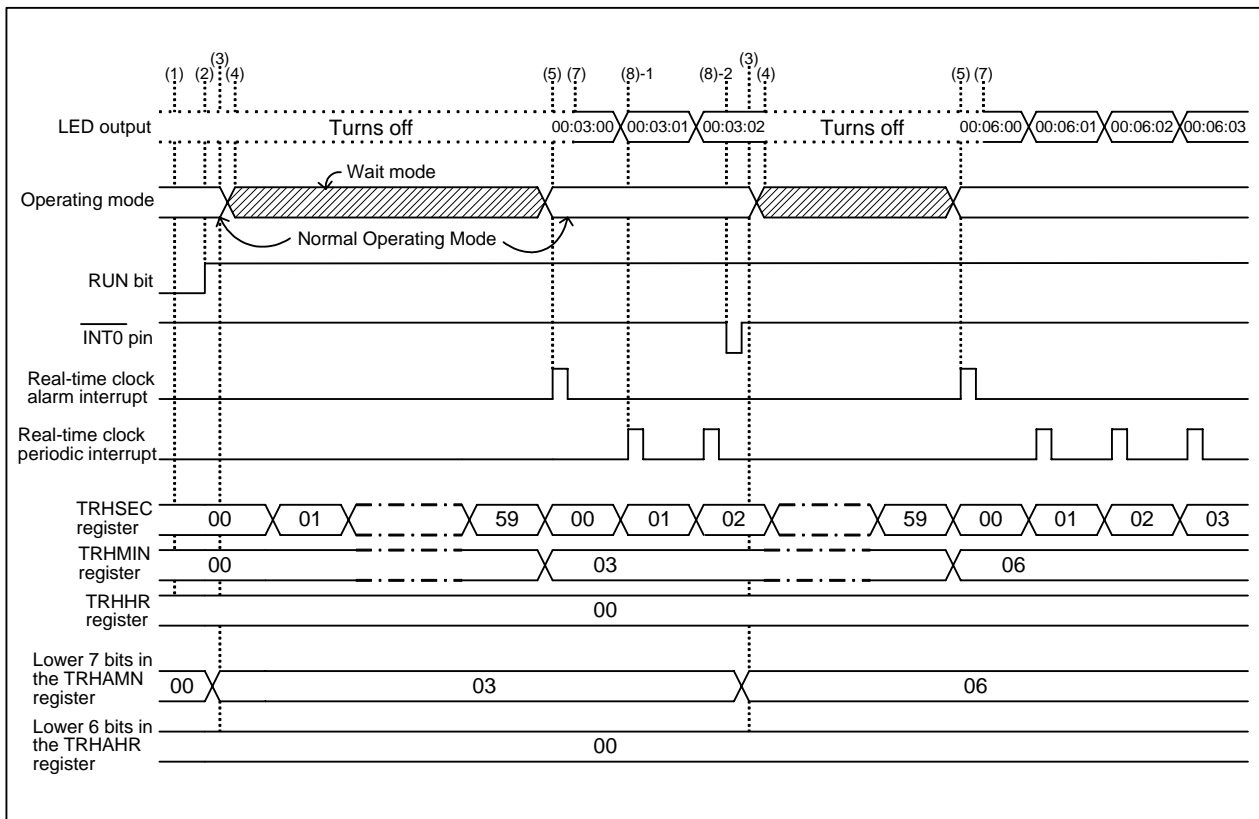


Figure 3.2 Operations Example

## 4. Time Reading Procedure of Real-Time Clock Mode / Alarm Data Writing Procedure

In real-time clock mode, read time data bits<sup>(1)</sup> when the BSY bit in the TRHSEC register is 0 (not while data is updated).

When reading multiple registers, if data is rewritten between reading registers, an errant time will be read.

The same pertains to the alarm data<sup>(2)</sup> bits. Write to the bits for alarm data when the BSY bit is 0, same as the bits for time data

### Notes:

1. Time data bits are shown below.
  - Bits SC12 to SC10 and SC03 to SC00 in the TRHSEC register
  - Bits MN12 to MN10 and MN03 to MN00 in the TRHMIN register
  - Bits HR11 to HR10 and HR03 to HR00 in the TRHHR register
  - Bits WK2 to WK0 in the TRHWK
  - The PM bit in the TRHCR register
  - Bits DY11 to DY10 and DY03 to DY00 in the TRHDY register
  - Bits MO10 and MO03 to MO00 in the TRHMON register
  - Bits YR13 to YR10 and YR03 to YR00 in the TRHYR register
2. Alarm data bits are shown below.
  - Bits AMN6 to AMN4 and AMN3 to AMN0 in the TRHAMN register
  - Bits AHR5 to AHR4 and AHR3 to AHR0 in the TRHAHR register
  - The APM bit in the TRHAHR register
  - Bits AWK2 to AWK0 in the TRHAWK register

The following is a description of sample read and write procedures that enable the user to avoid the use of incorrect time.

[Using an interrupt]

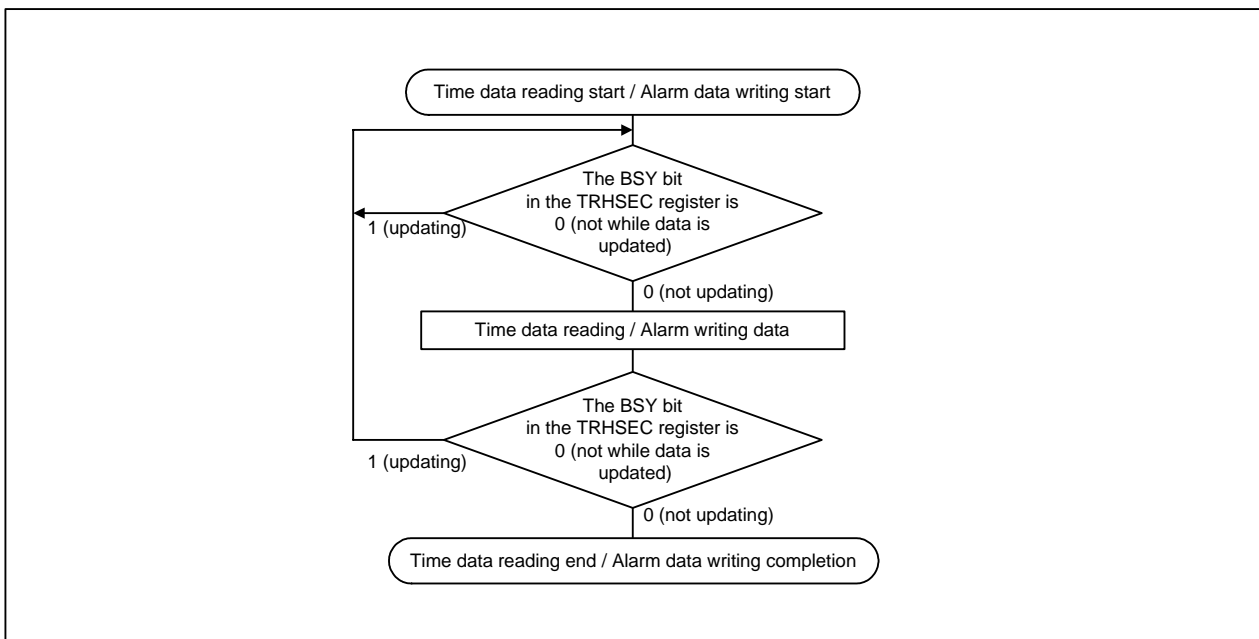
Read necessary contents of time data bits in the real-time clock periodic interrupt routine.  
Similarly, write necessary contents of alarm data bits.

[Monitoring by a program 1]

Monitor the IR bit in the RTCTIC register by a program and read necessary contents of time data bits after the IR bit becomes 1 (periodic interrupt requested).  
Similarly, write necessary contents of alarm data bits.

[Monitoring by a program 2]

Read and write data according to Figure 4.1 “Time Data Reading / Alarm Data Writing”.



**Figure 4.1 Time Data Reading / Alarm Data Writing**

Also, when reading or writing several registers, read or write them as continuously as possible.

In the example described in this application note, time data read by Using an interrupt, and alarm data write by Monitoring by a program 2.

### 5. Flowchart

Figure 5.1 shows a flowchart of the main program.

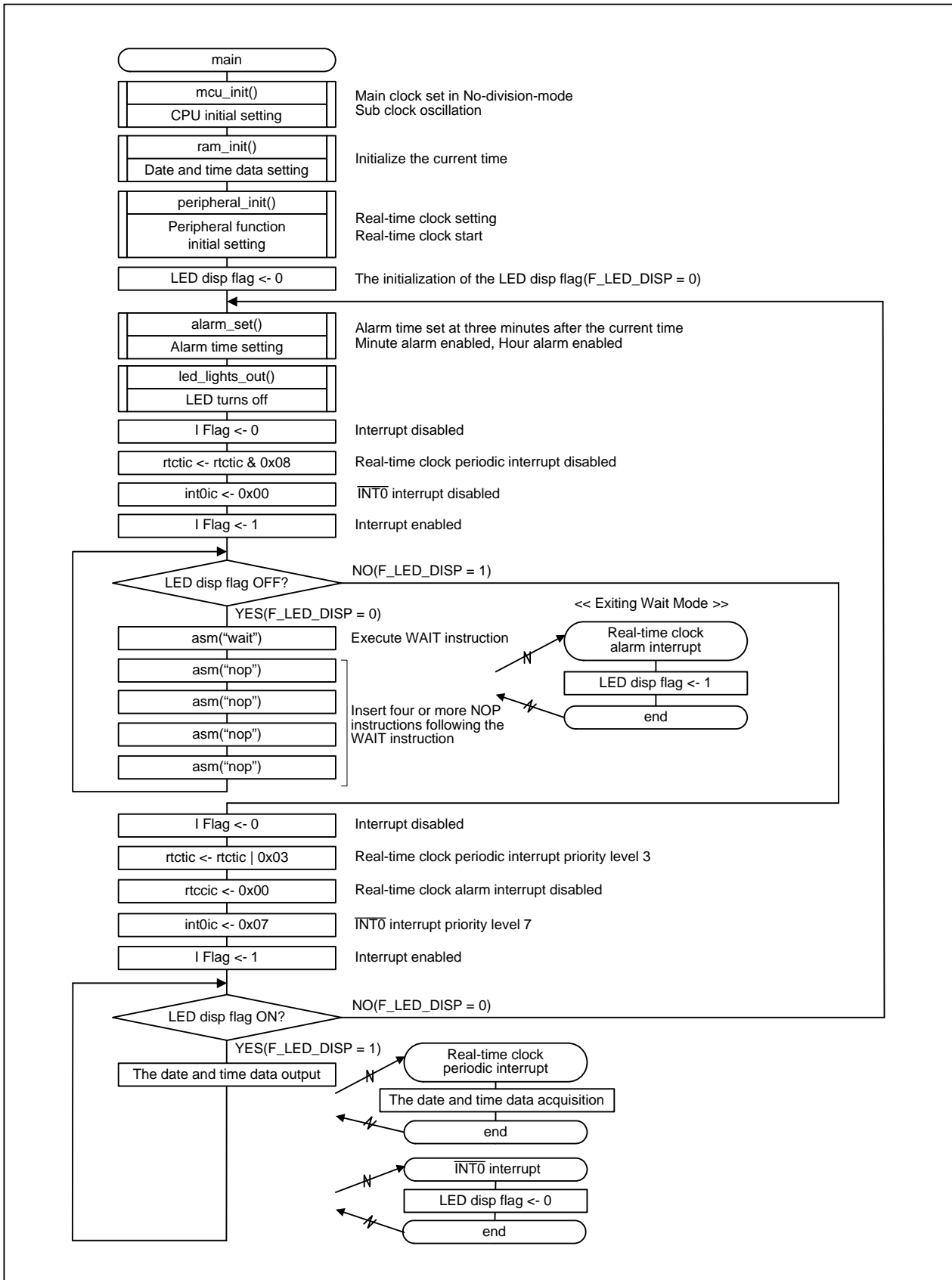


Figure 5.1 Main Program Flowchart



Figure 5.2 shows a flowchart of the function to setting alarm time.

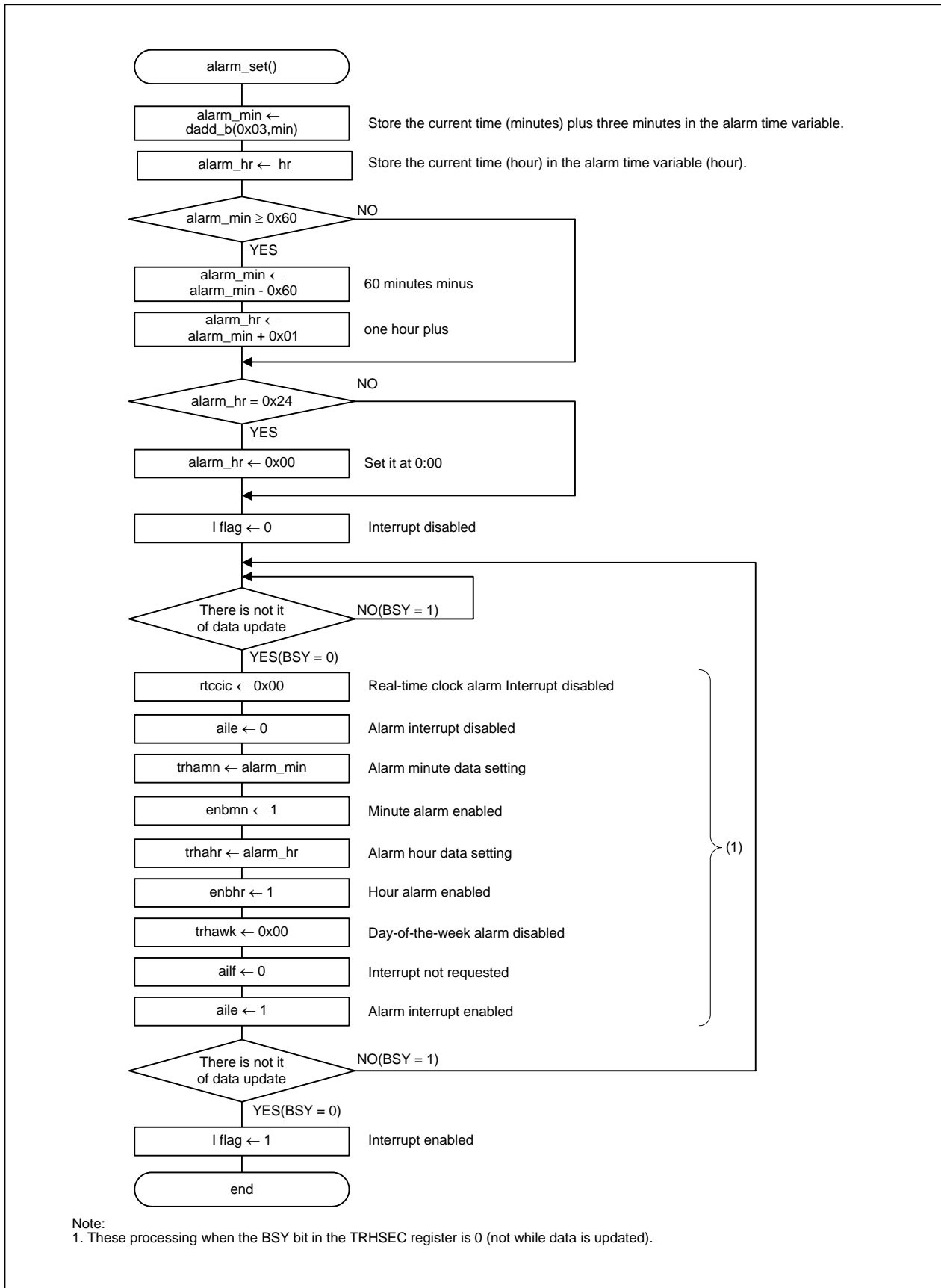


Figure 5.2 Alarm Time Setting Function Flowchart

## 6. Structure

Declaration	struct FLAG{ unsigned char F_LED_DISP:1; }flag;	
Variable	unsigned char F_LED_DISP:1	LED display flag
Function	Structure of the LED display flag(1-bit)	

## 7. Function Table

Declaration	void ram_init(void)	
Outline	Date and time data setting function	
Argument	None	
Variable(global)	Variable name	Contents
	unsigned char yy	Year data storage variable
	unsigned char mm	Month data storage variable
	unsigned char dd	Date data storage variable
	unsigned char wk	Day-of-the-week data storage variable
	unsigned char hr	Hour data storage variable
	unsigned char min	Minute data storage variable
unsigned char sec	Second data storage variable	
Returned value	None	
Function	Initializes the current time to 00:00:00 Thursday 1 January 2009	

Declaration	void peripheral_init(void)	
Outline	Peripheral function setting function	
Argument	None	
Variable(global)	Variable name	Contents
	unsigned char yy	Year data storage variable
	unsigned char mm	Month data storage variable
	unsigned char dd	Date data storage variable
	unsigned char wk	Day-of-the-week data storage variable
	unsigned char hr	Hour data storage variable
	unsigned char min	Minute data storage variable
unsigned char sec	Second data storage variable	
Returned value	None	
Function	Sets the real-time clock setting and the current time in the register	

Declaration	void alarm_set(void)	
Outline	Alarm time setting function	
Argument	None	
Variable(global)	Variable name	Contents
	unsigned char min	Minute data storage variable
	unsigned char alarm_min	Alarm minute data storage variable
	unsigned char hr	Hour data storage variable
	unsigned char alarm_hr	Alarm hour data storage variable
Returned value	None	
Function	Sets the alarm data to three minutes after the current time and enables the minute alarm and hour alarm	

Declaration	void led_lights_out(void)	
Outline	LED turns off function	
Argument	None	
Variable(global)	None	
Returned value	None	
Function	Initializes the time output port value	

## 8. Setup

This section explains the setup procedure and values for reproducing 3. "Application Example". Refer to the M16C/63 hardware manual for more details on each register.

### 8.1 Setup of the Real-Time Clock

Figure 8.1 to Figure 8.4 shows the Real-time clock settings.

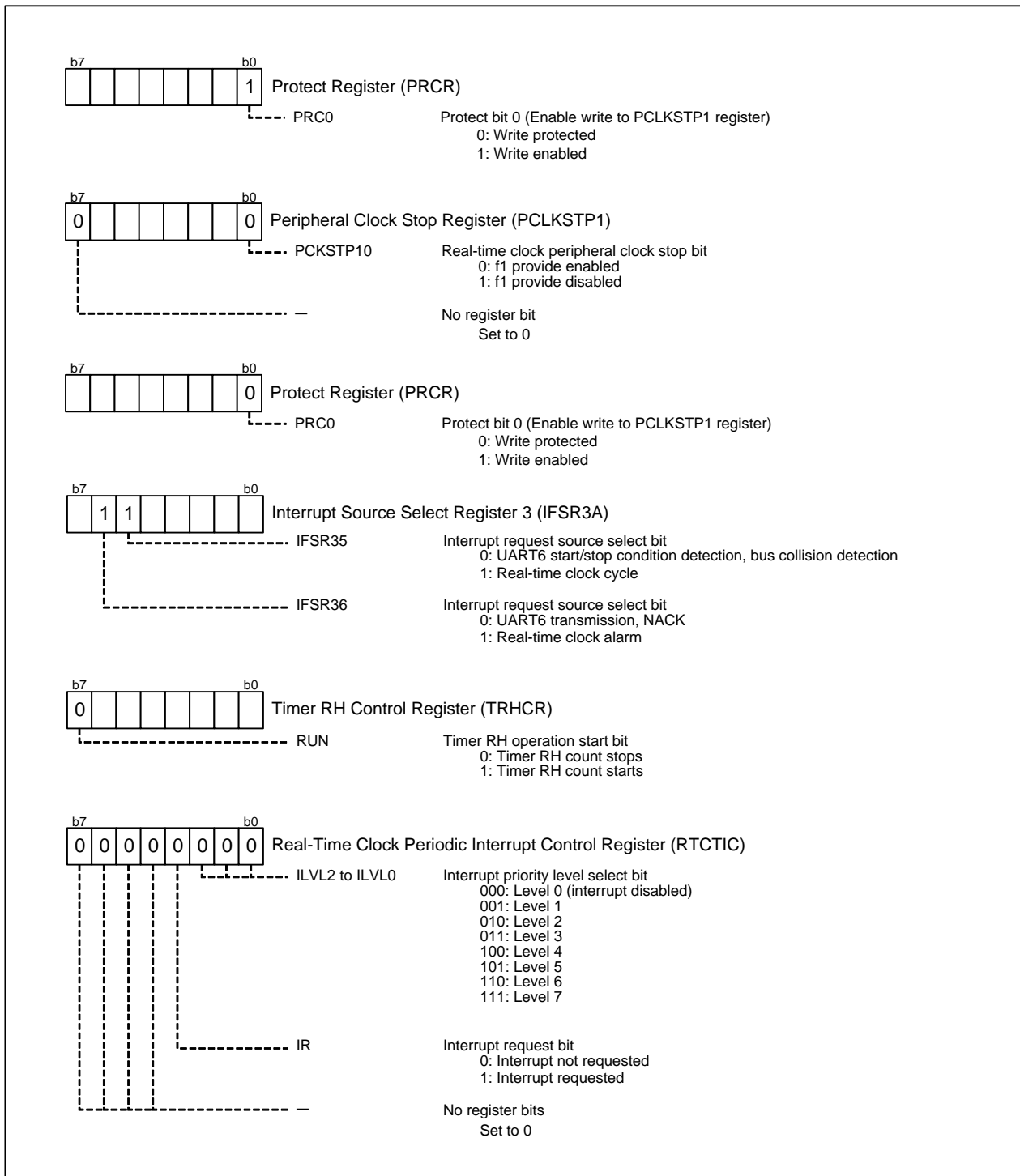


Figure 8.1 Real-Time Clock Setting(1/4)

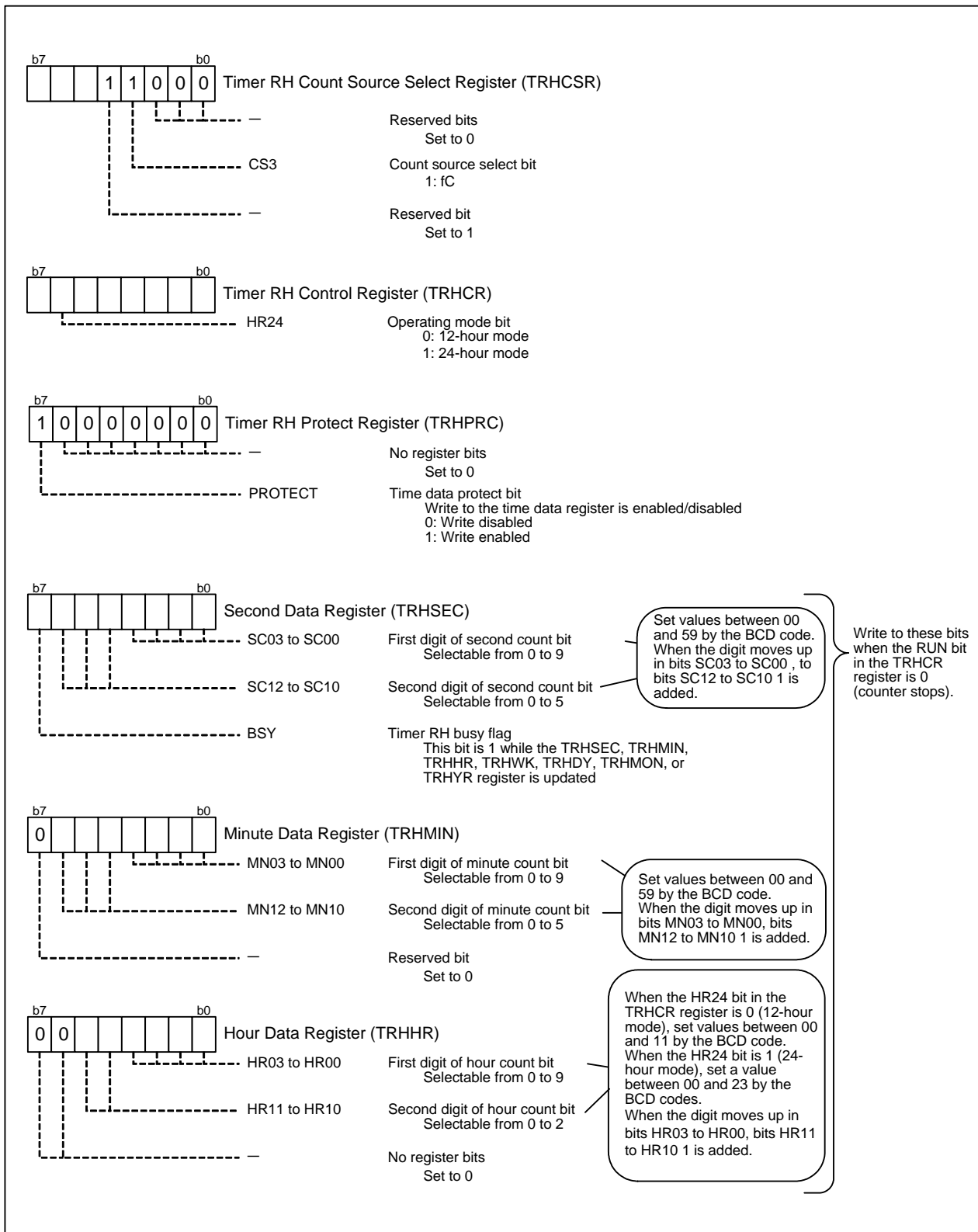


Figure 8.2 Real-Time Clock Setting(2/4)

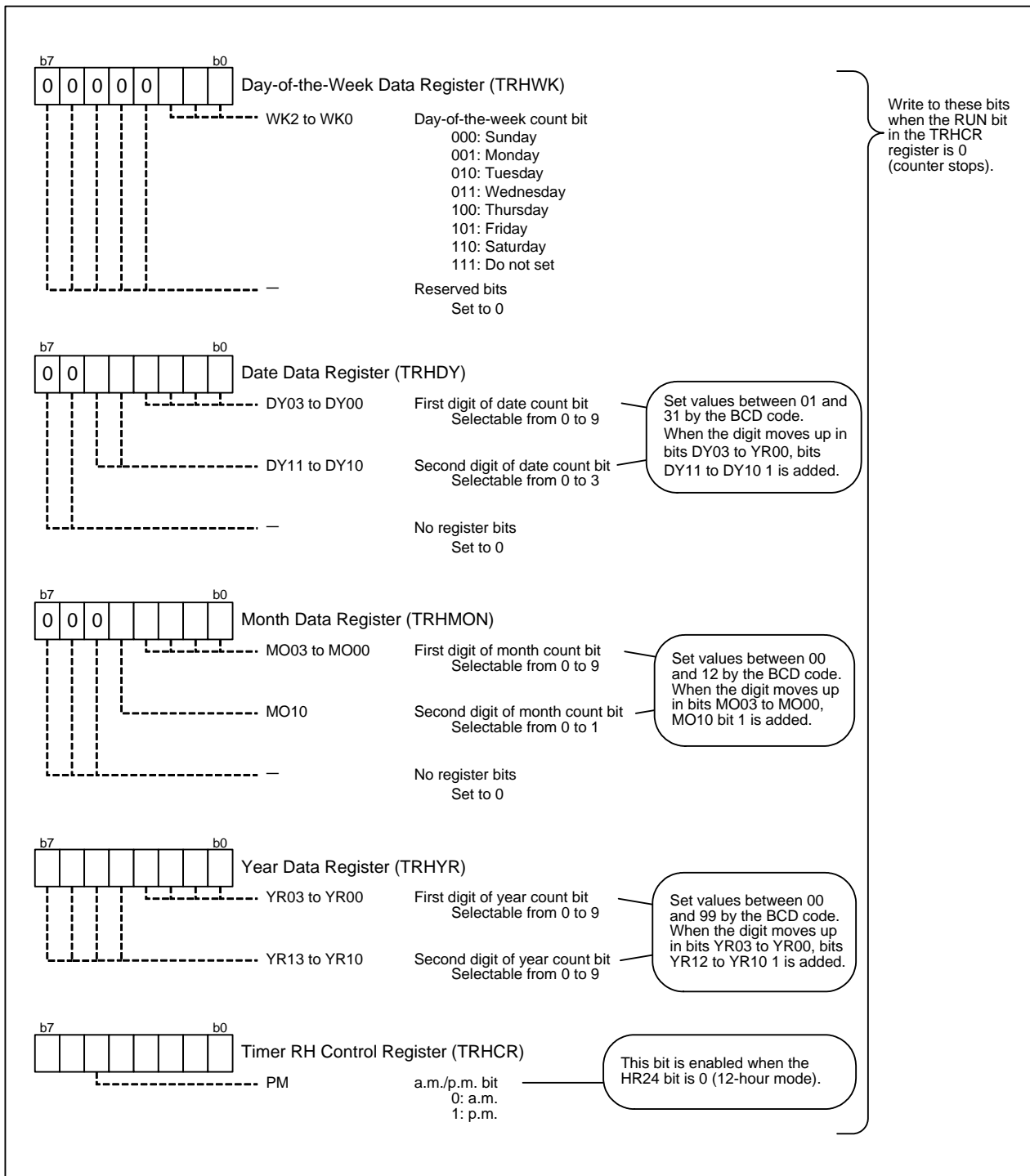


Figure 8.3 Real-Time Clock Setting(3/4)

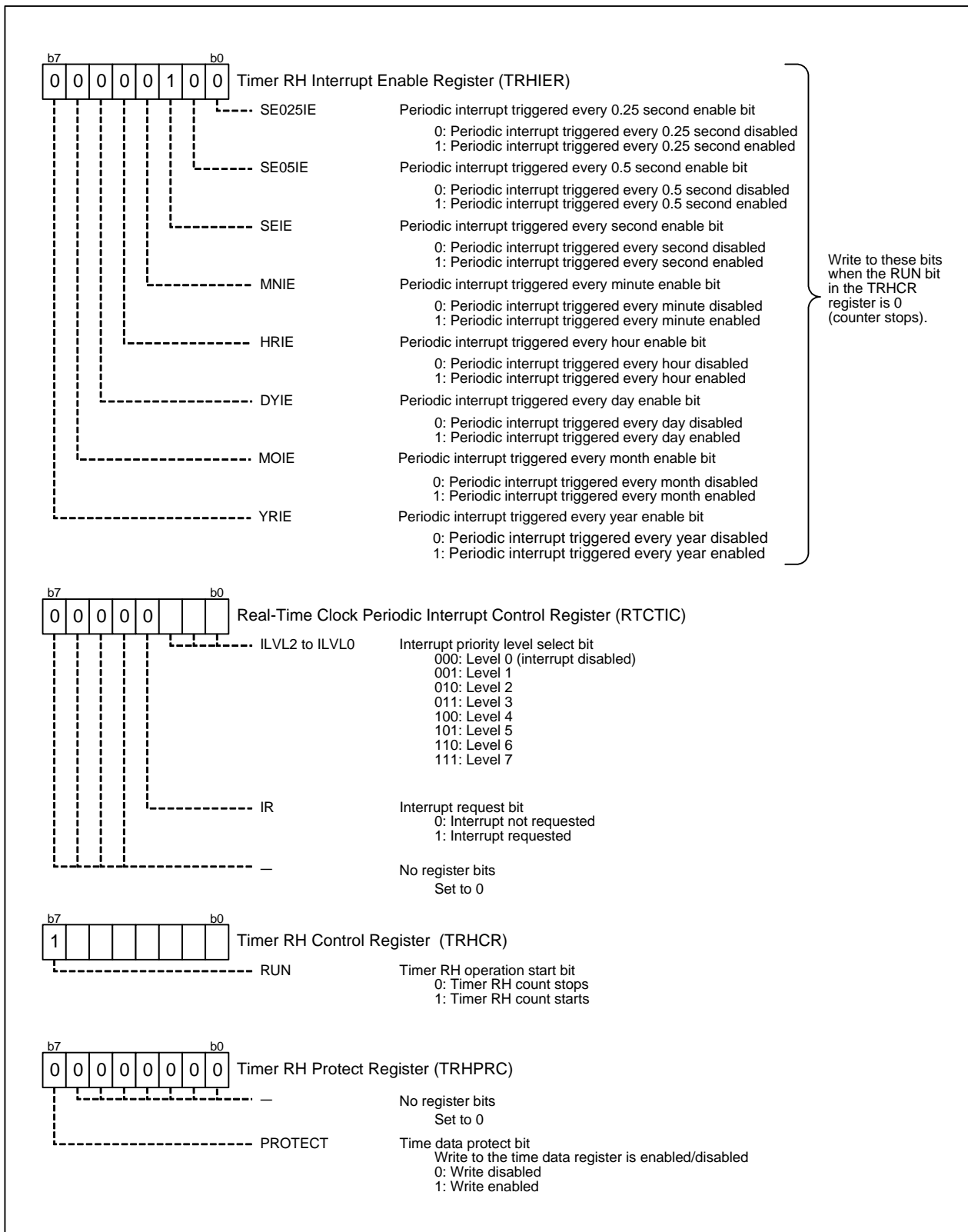


Figure 8.4 Real-Time Clock Setting(4/4)



## 8.2 Setup of the Alarm Data

Figure 8.5 to Figure 8.6 shows the alarm data settings.

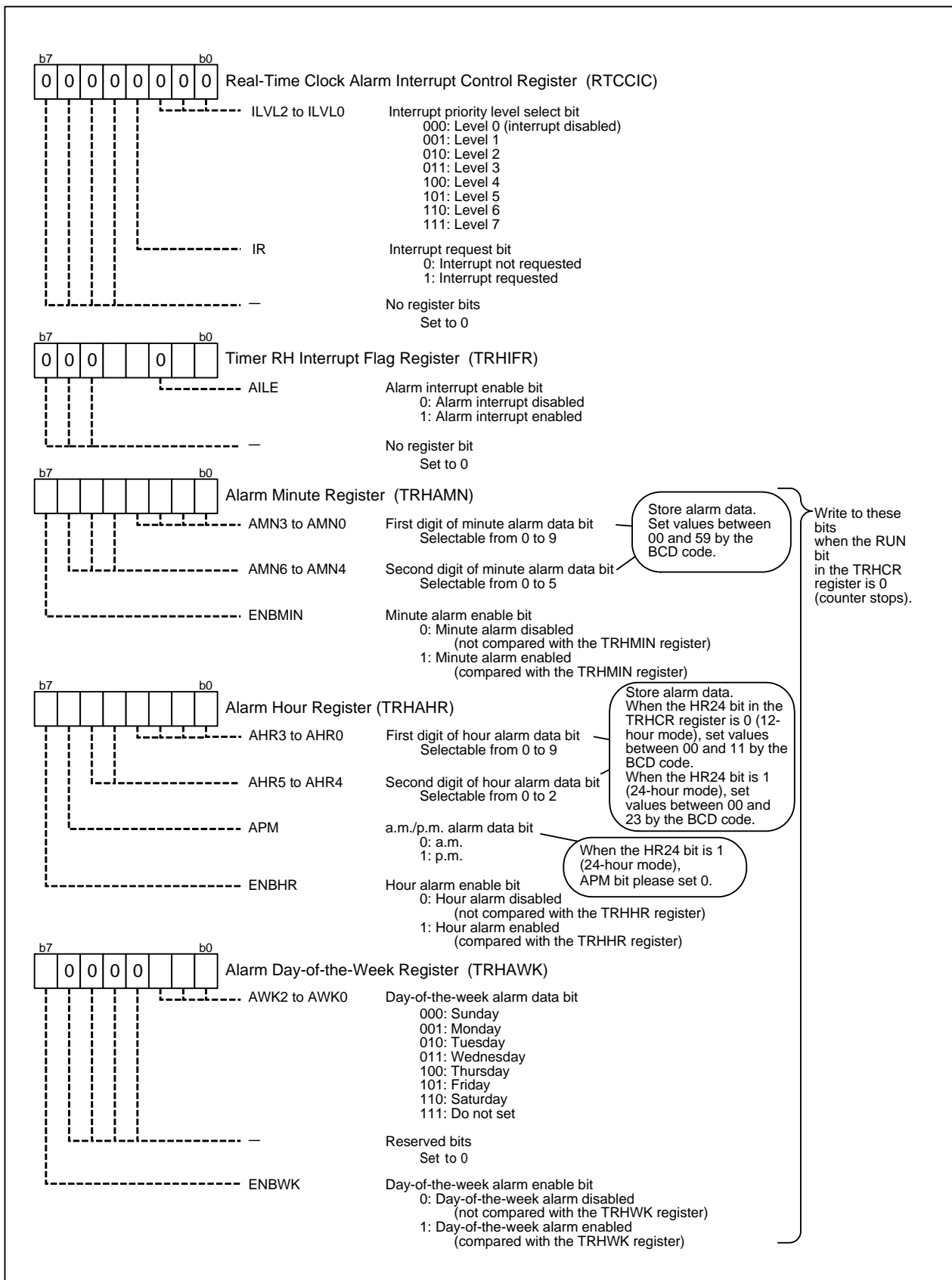


Figure 8.5 Alarm Data Setting(1/2)

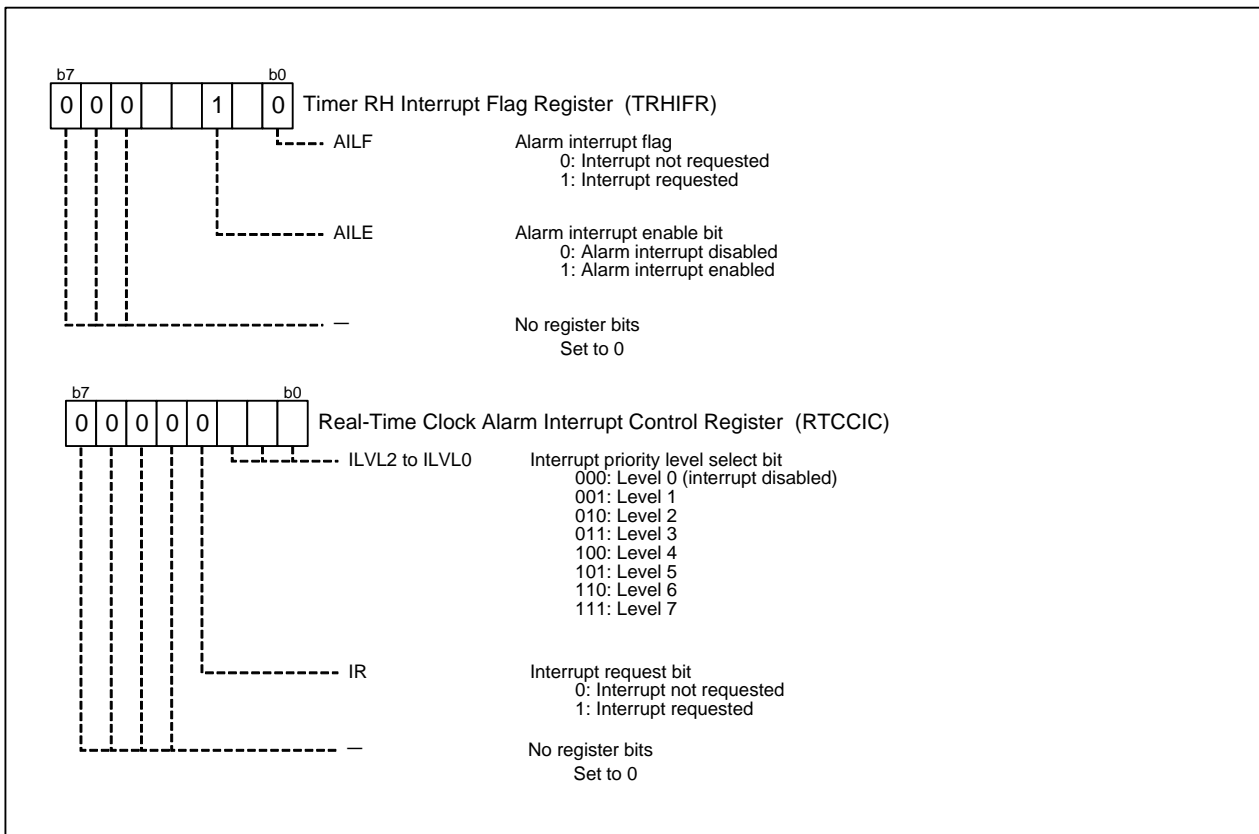
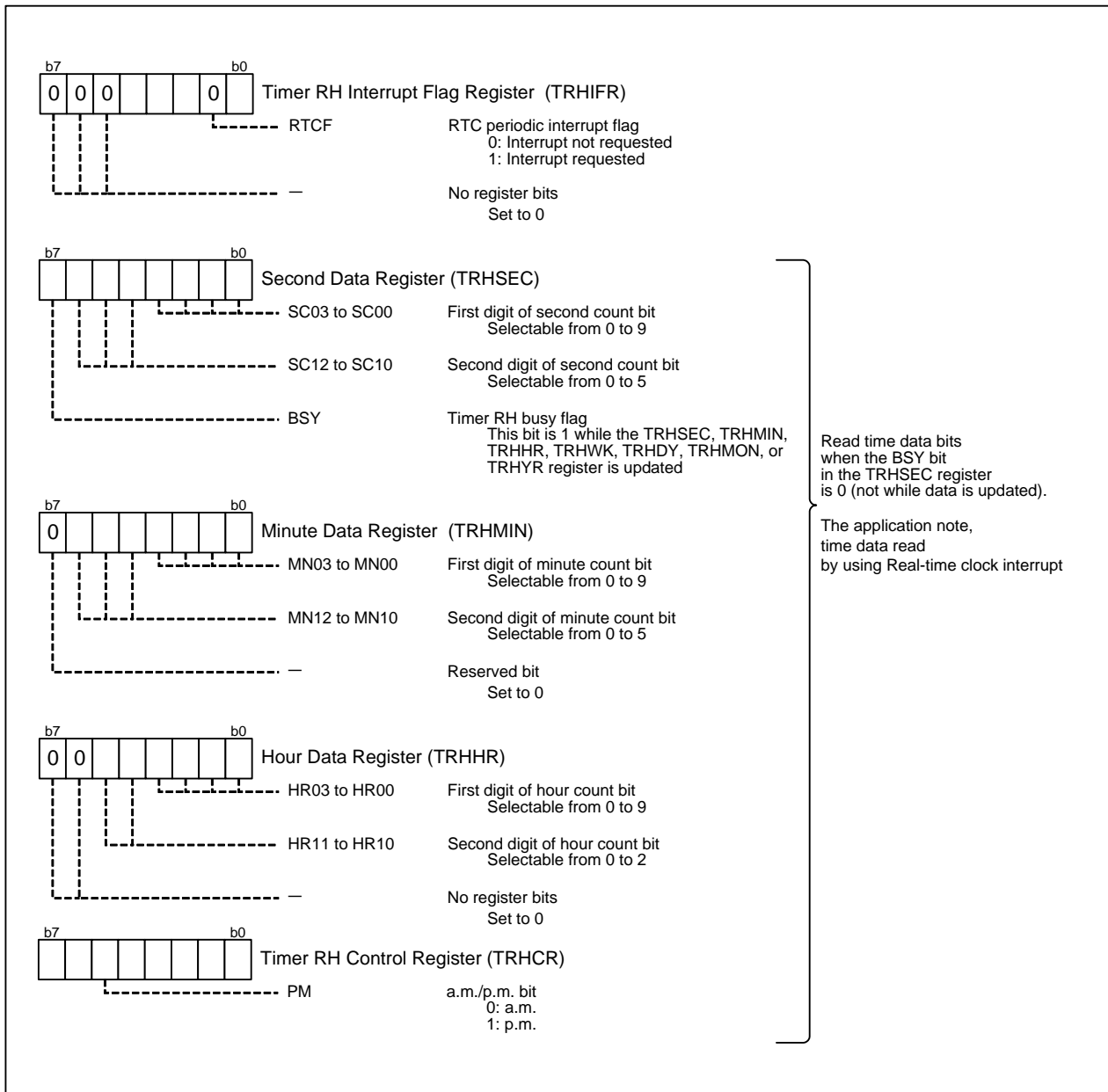


Figure 8.6 Alarm Data Setting(2/2)

### 8.3 Read date data

Figure 8.7 to Figure 8.8 shows the date data readings.



Read time data bits when the BSY bit in the TRHSEC register is 0 (not while data is updated).

The application note, time data read by using Real-time clock interrupt

Figure 8.7 Read date data(1/2)

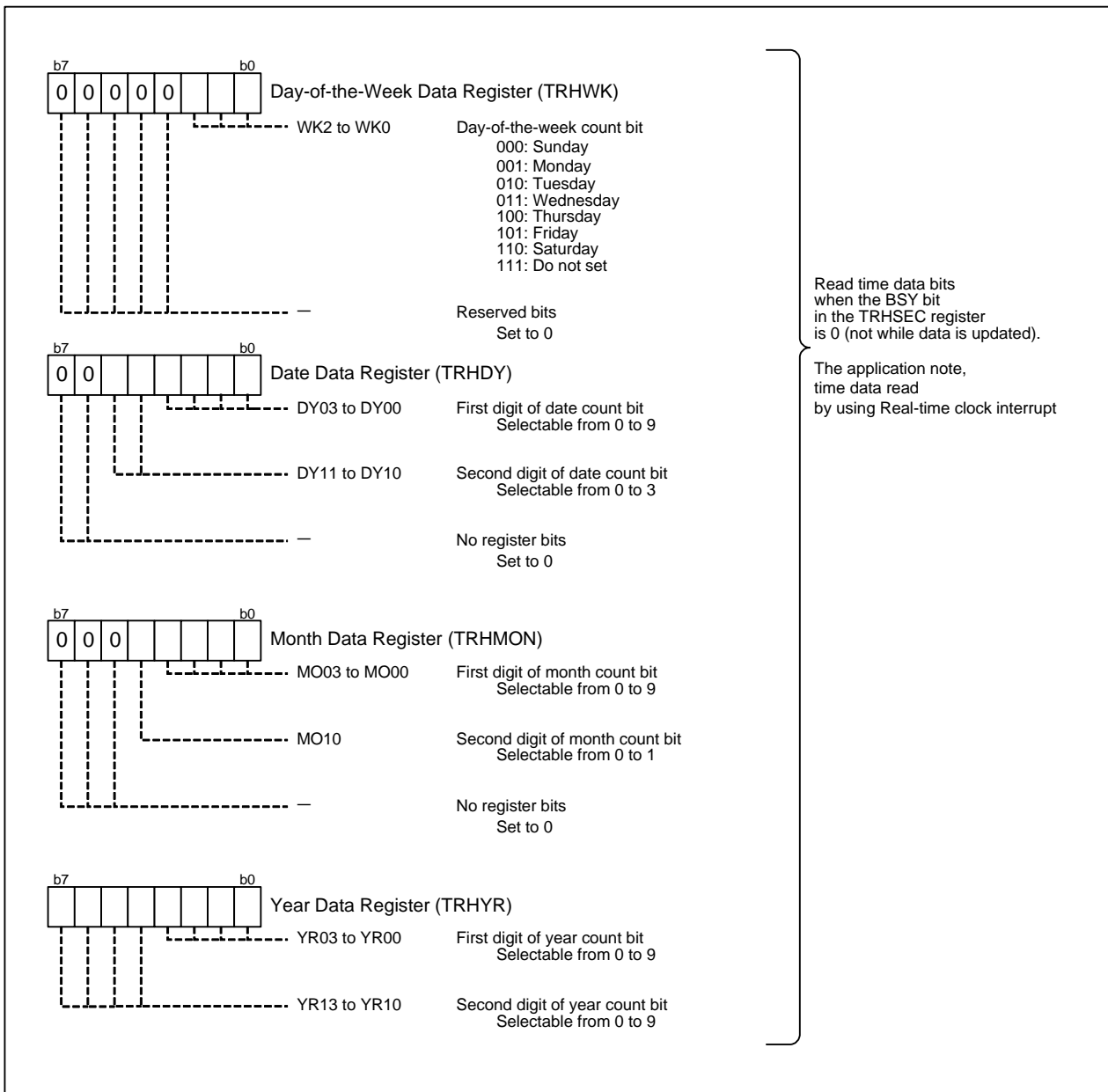


Figure 8.8 Read date data(2/2)

### 8.4 Real-time Clock Alarm Interrupt Processing

Figure 8.9 shows Real-time colck alarm interrupt processing.

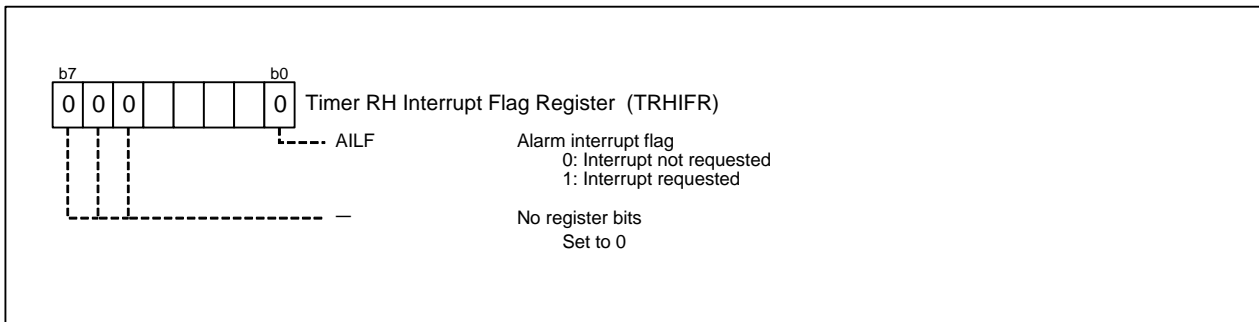


Figure 8.9 Real-time colck alarm interrupt processing

## 9. Sample Programs

Sample programs can be downloaded from the Renesas Technology website.

To download, click “Application Notes” in the left-hand side menu of the M16C Family page.

## 10. Reference Documents

Hardware Manual

M16C/63 Group Hardware Manual

The latest version can be downloaded from the Renesas Technology website.

Technical News/Technical Update

The latest information can be downloaded from the Renesas Technology website.

## Website and Support

Renesas Technology Website  
<http://www.renesas.com/>

Inquiries  
<http://www.renesas.com/inquiry>  
csc@renesas.com

REVISION HISTORY	M16C/63 Group The Use Example of the Real-time Clock
------------------	---

Rev.	Date	Description	
		Page	Summary
1.00	Sep 02, 2009	–	First edition issued

All trademarks and registered trademarks are the property of their respective owners.

Notes regarding these materials

1. This document is provided for reference purposes only so that Renesas customers may select the appropriate Renesas products for their use. Renesas neither makes warranties or representations with respect to the accuracy or completeness of the information contained in this document nor grants any license to any intellectual property rights or any other rights of Renesas or any third party with respect to the information in this document.
2. Renesas shall have no liability for damages or infringement of any intellectual property or other rights arising out of the use of any information in this document, including, but not limited to, product data, diagrams, charts, programs, algorithms, and application circuit examples.
3. You should not use the products or the technology described in this document for the purpose of military applications such as the development of weapons of mass destruction or for the purpose of any other military use. When exporting the products or technology described herein, you should follow the applicable export control laws and regulations, and procedures required by such laws and regulations.
4. All information included in this document such as product data, diagrams, charts, programs, algorithms, and application circuit examples, is current as of the date this document is issued. Such information, however, is subject to change without any prior notice. Before purchasing or using any Renesas products listed in this document, please confirm the latest product information with a Renesas sales office. Also, please pay regular and careful attention to additional and different information to be disclosed by Renesas such as that disclosed through our website. (<http://www.renesas.com>)
5. Renesas has used reasonable care in compiling the information included in this document, but Renesas assumes no liability whatsoever for any damages incurred as a result of errors or omissions in the information included in this document.
6. When using or otherwise relying on the information in this document, you should evaluate the information in light of the total system before deciding about the applicability of such information to the intended application. Renesas makes no representations, warranties or guaranties regarding the suitability of its products for any particular application and specifically disclaims any liability arising out of the application and use of the information in this document or Renesas products.
7. With the exception of products specified by Renesas as suitable for automobile applications, Renesas products are not designed, manufactured or tested for applications or otherwise in systems the failure or malfunction of which may cause a direct threat to human life or create a risk of human injury or which require especially high quality and reliability such as safety systems, or equipment or systems for transportation and traffic, healthcare, combustion control, aerospace and aeronautics, nuclear power, or undersea communication transmission. If you are considering the use of our products for such purposes, please contact a Renesas sales office beforehand. Renesas shall have no liability for damages arising out of the uses set forth above.
8. Notwithstanding the preceding paragraph, you should not use Renesas products for the purposes listed below:
  - (1) artificial life support devices or systems
  - (2) surgical implantations
  - (3) healthcare intervention (e.g., excision, administration of medication, etc.)
  - (4) any other purposes that pose a direct threat to human life

Renesas shall have no liability for damages arising out of the uses set forth in the above and purchasers who elect to use Renesas products in any of the foregoing applications shall indemnify and hold harmless Renesas Technology Corp., its affiliated companies and their officers, directors, and employees against any and all damages arising out of such applications.
9. You should use the products described herein within the range specified by Renesas, especially with respect to the maximum rating, operating supply voltage range, movement power voltage range, heat radiation characteristics, installation and other product characteristics. Renesas shall have no liability for malfunctions or damages arising out of the use of Renesas products beyond such specified ranges.
10. Although Renesas endeavors to improve the quality and reliability of its products, IC products have specific characteristics such as the occurrence of failure at a certain rate and malfunctions under certain use conditions. Please be sure to implement safety measures to guard against the possibility of physical injury, and injury or damage caused by fire in the event of the failure of a Renesas product, such as safety design for hardware and software including but not limited to redundancy, fire control and malfunction prevention, appropriate treatment for aging degradation or any other applicable measures. Among others, since the evaluation of microcomputer software alone is very difficult, please evaluate the safety of the final products or system manufactured by you.
11. In case Renesas products listed in this document are detached from the products to which the Renesas products are attached or affixed, the risk of accident such as swallowing by infants and small children is very high. You should implement safety measures so that Renesas products may not be easily detached from your products. Renesas shall have no liability for damages arising out of such detachment.
12. This document may not be reproduced or duplicated, in any form, in whole or in part, without prior written approval from Renesas.
13. Please contact a Renesas sales office if you have any questions regarding the information contained in this document, Renesas semiconductor products, or if you have any other inquiries.