

## RX 200 Series

R01AN3474EU0100

Rev. 1.00

## RSCAN-UART Bridge

Sep 09, 2016

### Introduction

This document describes an application which captures messages detected on a CAN network and sends them to a UART terminal for display. The UART terminal may also type in a command which allows a message to be sent on the CAN network.

**NOTE: When developing an application with the RSKRX231 and the E1 emulator, and the E1 emulator is powering the target board, be sure that it is supplying 5.0V and not 3.3V (specified in Debug Configuration) or the RSCAN will not operate properly.**

### Target Device

The following is a list of devices that are currently supported by this application:

- RX231 Group

When using this application note with other Renesas MCUs, careful evaluation is recommended after making modifications to comply with the alternate MCU.

### Related Documents

- RSCAN Module Using Firmware Integration Technology (R01AN2805EU)
- SCI Multi-Mode Module Using Firmware Integration Technology (R01AN1815EU)
- Board Support Package Firmware Integration Technology Module (R01AN1685EU)
- Firmware Integration Technology User's Manual (R01AN1833EU)
- Adding Firmware Integration Technology Modules to Projects (R01AN1723EU)
- Adding Firmware Integration Technology Modules to CubeSuite+ Projects (R01AN1826EJ)

**Contents**

1. Overview ..... 3

2. Application Operation ..... 4

2.1 Establishing Communications ..... 4

2.2 UART Command Operation ..... 5

2.3 Handling Message Overflow ..... 6

3. Demonstration with the SYS TEC CAN Bus Analyzer ..... 7

Website and Support ..... 8

Revision Record ..... 9

General Precautions in the Handling of MPU/MCU Products ..... 10

## 1. Overview

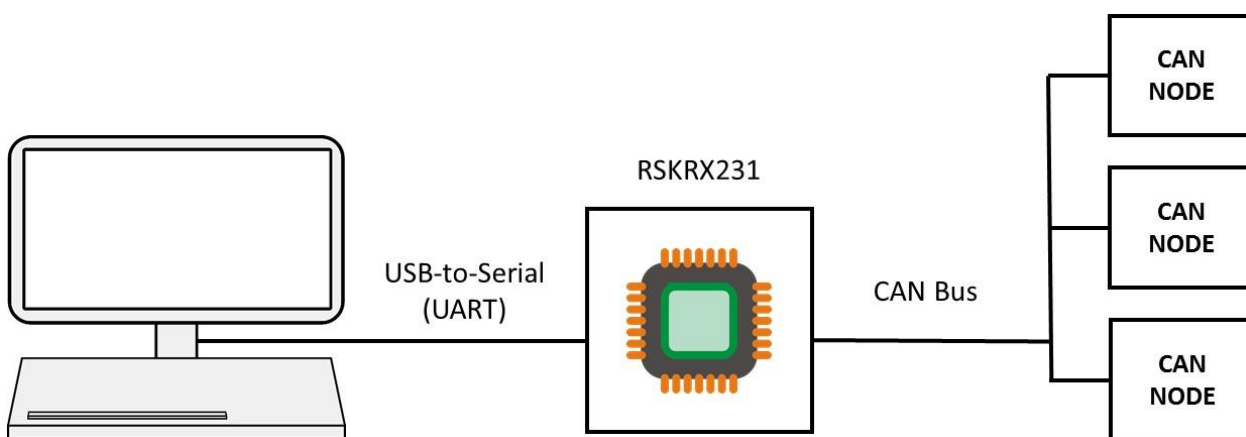
This application is a simple demo which displays messages received over a CAN network on a terminal display. Messages typed in at a terminal can also be transmitted on the CAN network.

The UART interface by default communicates at 115k baud, 1 stop, and no parity over the USB-to-Serial port on the RSKRX231 board. The CAN network by default communicates at 500kHz.

This program begins by sending dummy messages to the terminal until an 's' (stop) is received. This is to ensure that the terminal is connected properly before continuing. Once this is done, the CAN driver is initialized and any CAN network messages received are immediately sent to the terminal.

Typing the character '?' or 'm' (menu) at the terminal shows commands available for processing. Whenever a character is received from the terminal, all incoming CAN network messages are ignored so UART communications are not interfered with. Normal CAN processing continues when the 'r' (resume) command is received or when a message from the terminal is sent to the CAN network.

The 'o' command indicates if any internal message overflow has been detected by this application. Some minor configuration adjustments can be made to alleviate this (Section 2.3).

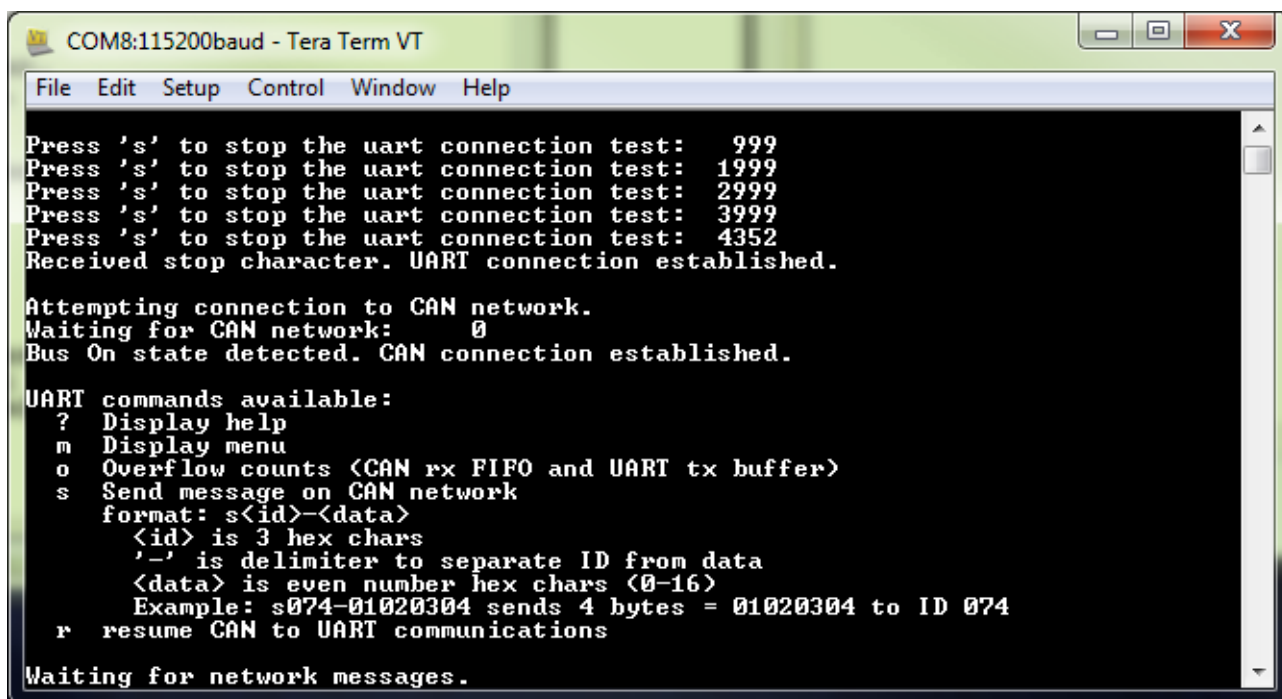


## 2. Application Operation

### 2.1 Establishing Communications

The UART interface by default communicates at 115k baud, 1 stop, and no parity over the USB-to-Serial port on the RSKRX231 board (USB connector next to power jack). If a different configuration is desired, modify the settings in `init_uart()` in the `uart.c` file. The CAN network by default communicates at 500kHz. If a different rate is desired, modify the settings in `init_can()` in the `can.c` file. The application by default displays all messages detected on the CAN network. If only a subset of messages is desired, modify the receive rule filter in `init_can()` in the `can.c` file.

This program begins by sending dummy messages to the terminal until an 's' (stop) is received. When the 's' is received, it is assumed that the board and the host are connected properly. At this point, the CAN network is checked to verify that it is not in a Bus Off state (255+ errors detected). If a Bus Off state is not detected, the RSCAN peripheral and CAN network (if connected) is assumed to be operating properly. Any messages detected on the CAN network will automatically be sent to the terminal. **Be sure the MCU is powered at 5V (not 3.3V) for proper operation!**



```
COM8:115200baud - Tera Term VT
File Edit Setup Control Window Help
Press 's' to stop the uart connection test: 999
Press 's' to stop the uart connection test: 1999
Press 's' to stop the uart connection test: 2999
Press 's' to stop the uart connection test: 3999
Press 's' to stop the uart connection test: 4352
Received stop character. UART connection established.

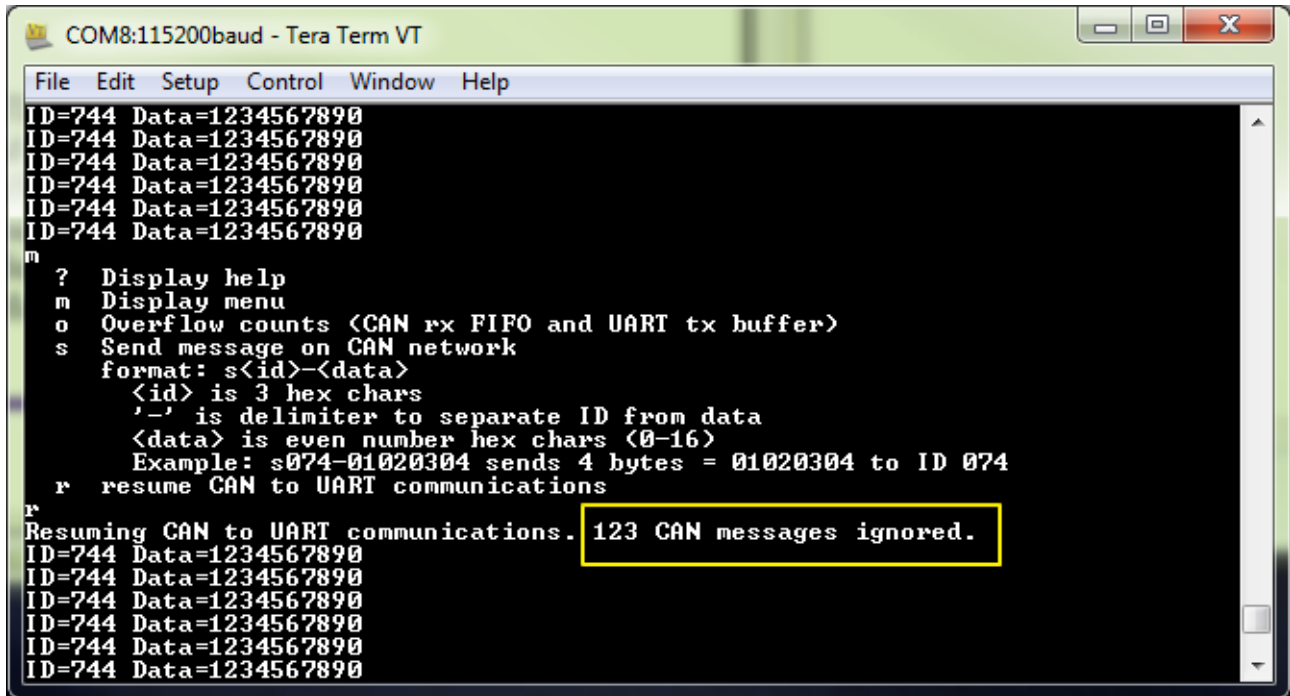
Attempting connection to CAN network.
Waiting for CAN network: 0
Bus On state detected. CAN connection established.

UART commands available:
? Display help
m Display menu
o Overflow counts <CAN rx FIFO and UART tx buffer>
s Send message on CAN network
  format: s<id>-<data>
    <id> is 3 hex chars
    '-' is delimiter to separate ID from data
    <data> is even number hex chars <0-16>
    Example: s074-01020304 sends 4 bytes = 01020304 to ID 074
r resume CAN to UART communications

Waiting for network messages.
```

## 2.2 UART Command Operation

Whenever a valid character is received from the terminal, all incoming CAN network messages are ignored so UART communications are not interfered with. Normal CAN processing continues when the 'r' (resume) command is received or when a message from the terminal is sent to the CAN network. The number of CAN network messages ignored are displayed upon resumption of normal CAN message monitoring.

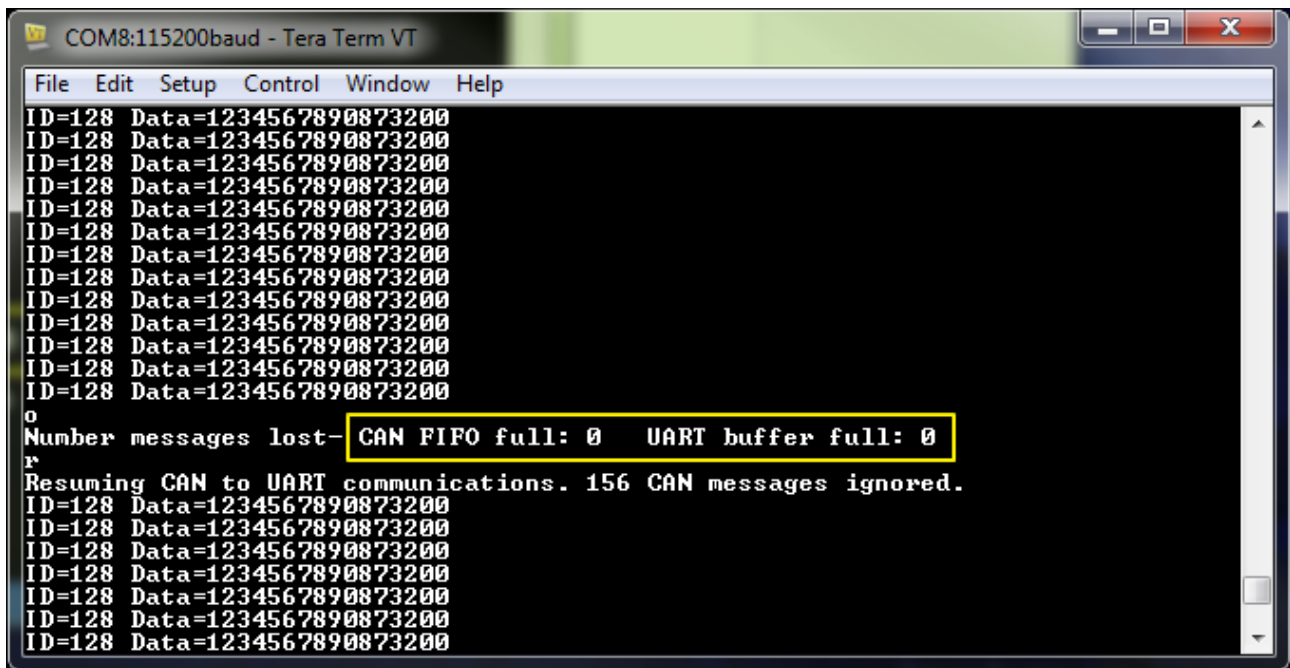


```
COM8:115200baud - Tera Term VT
File Edit Setup Control Window Help
ID=744 Data=1234567890
ID=744 Data=1234567890
ID=744 Data=1234567890
ID=744 Data=1234567890
ID=744 Data=1234567890
ID=744 Data=1234567890
m
? Display help
m Display menu
o Overflow counts (CAN rx FIFO and UART tx buffer)
s Send message on CAN network
  format: s<id>-<data>
    <id> is 3 hex chars
    '-' is delimiter to separate ID from data
    <data> is even number hex chars (0-16)
    Example: s074-01020304 sends 4 bytes = 01020304 to ID 074
r resume CAN to UART communications
r
Resuming CAN to UART communications. 123 CAN messages ignored.
ID=744 Data=1234567890
ID=744 Data=1234567890
ID=744 Data=1234567890
ID=744 Data=1234567890
ID=744 Data=1234567890
ID=744 Data=1234567890
```

## 2.3 Handling Message Overflow

The 'o' command indicates if any internal overflow has been detected by this [app](#). If the UART transmit buffer overflows, increasing the size of `SCI_CFG_CH5_TX_BUFSIZ` in `r_sci_config.h` or increasing the baud rate (Section 2.1) will reduce or eliminate this. Note that there may be a small overflow at startup depending upon the amount of CAN traffic versus UART speed.

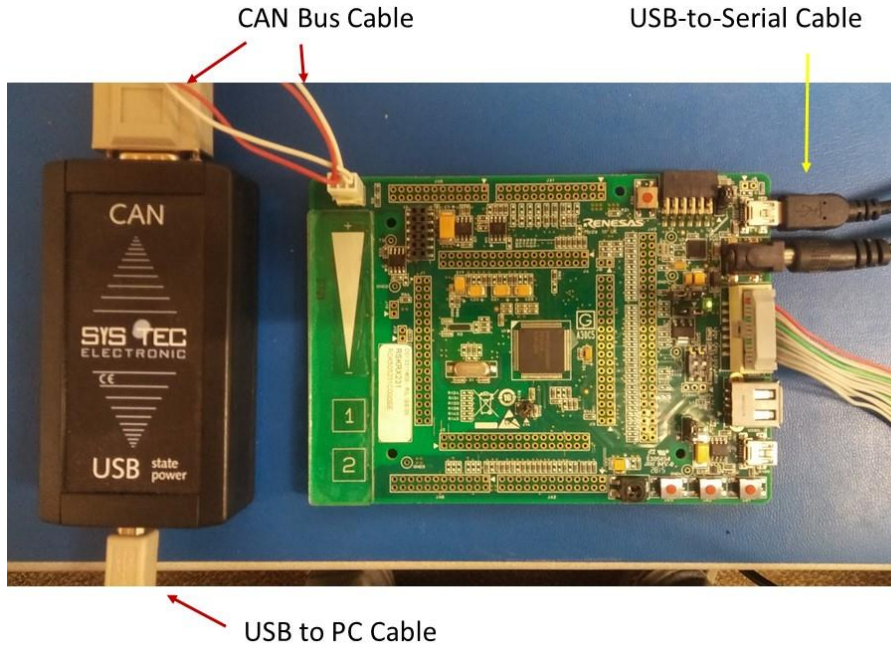
If the CAN receive-FIFO overflows, the only option is to increase the depth of the receive FIFO. **For advanced users only:** The depth of the receive FIFO in the RSCAN driver can be increased by changing the `RSCAN.RFCC0.BIT.RFDC` value in `R_CAN_ConfigFIFO` (currently has a depth of 4). Note that increasing the depth means making use of reserved buffers allocated for other possible uses. This includes 4 for receive mailboxes, 4 for another receive FIFO, and 4 for a transmit FIFO. This makes the total depth possible 16.



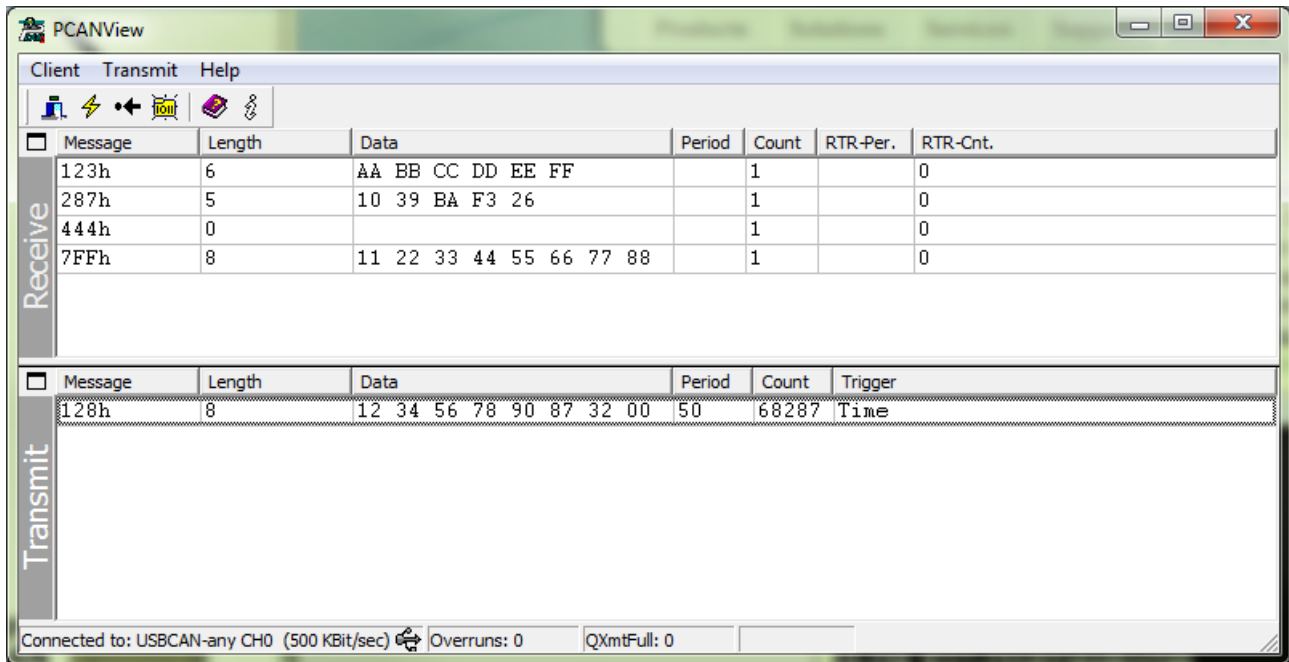
```
COM8:115200baud - Tera Term VT
File Edit Setup Control Window Help
ID=128 Data=1234567890873200
ID=128 Data=1234567890873200
ID=128 Data=1234567890873200
ID=128 Data=1234567890873200
ID=128 Data=1234567890873200
ID=128 Data=1234567890873200
ID=128 Data=1234567890873200
ID=128 Data=1234567890873200
ID=128 Data=1234567890873200
ID=128 Data=1234567890873200
ID=128 Data=1234567890873200
ID=128 Data=1234567890873200
ID=128 Data=1234567890873200
ID=128 Data=1234567890873200
o
Number messages lost- CAN FIFO full: 0   UART buffer full: 0
r
Resuming CAN to UART communications. 156 CAN messages ignored.
ID=128 Data=1234567890873200
ID=128 Data=1234567890873200
ID=128 Data=1234567890873200
ID=128 Data=1234567890873200
ID=128 Data=1234567890873200
ID=128 Data=1234567890873200
ID=128 Data=1234567890873200
```

### 3. Demonstration with the SYS TEC CAN Bus Analyzer

A convenient way to demonstrate the RSCAN-UART Bridge is by using a CAN bus analyzer such as the SYS TEC USB-CANmodul1 ([www.systec-electronic.com](http://www.systec-electronic.com)). This is the “CAN sniffer” that comes with the Renesas CAN development kits (such as the older Flash Over CAN r01an0235eu), and can also be ordered online directly from SYS TEC, Germany.



The sniffer acts just like this application- it displays messages detected on the CAN network and can send a message (repeatedly if desired) as well. Their GUI runs on Windows and the sniffer is connected via USB.



## Website and Support

Renesas Electronics Website

<http://www.renesas.com/>

Inquiries

<http://www.renesas.com/inquiry>

All trademarks and registered trademarks are the property of their respective owners.



# Revision Record

Rev.	Date	Description	
		Page	Summary
1.00	Sep 09, 2016	—	Initial release

# General Precautions in the Handling of MPU/MCU Products

The following usage notes are applicable to all MPU/MCU products from Renesas. For detailed usage notes on the products covered by this document, refer to the relevant sections of the document as well as any technical updates that have been issued for the products.

## 1. Handling of Unused Pins

Handle unused pins in accordance with the directions given under Handling of Unused Pins in the manual.

- The input pins of CMOS products are generally in the high-impedance state. In operation with an unused pin in the open-circuit state, extra electromagnetic noise is induced in the vicinity of LSI, an associated shoot-through current flows internally, and malfunctions occur due to the false recognition of the pin state as an input signal become possible. Unused pins should be handled as described under Handling of Unused Pins in the manual.

## 2. Processing at Power-on

The state of the product is undefined at the moment when power is supplied.

- The states of internal circuits in the LSI are indeterminate and the states of register settings and pins are undefined at the moment when power is supplied.

In a finished product where the reset signal is applied to the external reset pin, the states of pins are not guaranteed from the moment when power is supplied until the reset process is completed.

In a similar way, the states of pins in a product that is reset by an on-chip power-on reset function are not guaranteed from the moment when power is supplied until the power reaches the level at which resetting has been specified.

## 3. Prohibition of Access to Reserved Addresses

Access to reserved addresses is prohibited.

- The reserved addresses are provided for the possible future expansion of functions. Do not access these addresses; the correct operation of LSI is not guaranteed if they are accessed.

## 4. Clock Signals

After applying a reset, only release the reset line after the operating clock signal has become stable. When switching the clock signal during program execution, wait until the target clock signal has stabilized.

- When the clock signal is generated with an external resonator (or from an external oscillator) during a reset, ensure that the reset line is only released after full stabilization of the clock signal. Moreover, when switching to a clock signal produced with an external resonator (or by an external oscillator) while program execution is in progress, wait until the target clock signal is stable.

## 5. Differences between Products

Before changing from one product to another, i.e. to a product with a different part number, confirm that the change will not lead to problems.

- The characteristics of an MPU or MCU in the same group but having a different part number may differ in terms of the internal memory capacity, layout pattern, and other factors, which can affect the ranges of electrical characteristics, such as characteristic values, operating margins, immunity to noise, and amount of radiated noise. When changing to a product with a different part number, implement a system-evaluation test for the given product.

## Notice

1. Descriptions of circuits, software and other related information in this document are provided only to illustrate the operation of semiconductor products and application examples. You are fully responsible for the incorporation of these circuits, software, and information in the design of your equipment. Renesas Electronics assumes no responsibility for any losses incurred by you or third parties arising from the use of these circuits, software, or information.
2. Renesas Electronics has used reasonable care in preparing the information included in this document, but Renesas Electronics does not warrant that such information is error free. Renesas Electronics assumes no liability whatsoever for any damages incurred by you resulting from errors in or omissions from the information included herein.
3. Renesas Electronics does not assume any liability for infringement of patents, copyrights, or other intellectual property rights of third parties by or arising from the use of Renesas Electronics products or technical information described in this document. No license, express, implied or otherwise, is granted hereby under any patents, copyrights or other intellectual property rights of Renesas Electronics or others.
4. You should not alter, modify, copy, or otherwise misappropriate any Renesas Electronics product, whether in whole or in part. Renesas Electronics assumes no responsibility for any losses incurred by you or third parties arising from such alteration, modification, copy or otherwise misappropriation of Renesas Electronics product.
5. Renesas Electronics products are classified according to the following two quality grades: "Standard" and "High Quality". The recommended applications for each Renesas Electronics product depends on the product's quality grade, as indicated below.  
"Standard": Computers; office equipment; communications equipment; test and measurement equipment; audio and visual equipment; home electronic appliances; machine tools; personal electronic equipment; and industrial robots etc.  
"High Quality": Transportation equipment (automobiles, trains, ships, etc.); traffic control systems; anti-disaster systems; anti-crime systems; and safety equipment etc.  
Renesas Electronics products are neither intended nor authorized for use in products or systems that may pose a direct threat to human life or bodily injury (artificial life support devices or systems, surgical implantations etc.), or may cause serious property damages (nuclear reactor control systems, military equipment etc.). You must check the quality grade of each Renesas Electronics product before using it in a particular application. You may not use any Renesas Electronics product for any application for which it is not intended. Renesas Electronics shall not be in any way liable for any damages or losses incurred by you or third parties arising from the use of any Renesas Electronics product for which the product is not intended by Renesas Electronics.
6. You should use the Renesas Electronics products described in this document within the range specified by Renesas Electronics, especially with respect to the maximum rating, operating supply voltage range, movement power voltage range, heat radiation characteristics, installation and other product characteristics. Renesas Electronics shall have no liability for malfunctions or damages arising out of the use of Renesas Electronics products beyond such specified ranges.
7. Although Renesas Electronics endeavors to improve the quality and reliability of its products, semiconductor products have specific characteristics such as the occurrence of failure at a certain rate and malfunctions under certain use conditions. Further, Renesas Electronics products are not subject to radiation resistance design. Please be sure to implement safety measures to guard them against the possibility of physical injury, and injury or damage caused by fire in the event of the failure of a Renesas Electronics product, such as safety design for hardware and software including but not limited to redundancy, fire control and malfunction prevention, appropriate treatment for aging degradation or any other appropriate measures. Because the evaluation of microcomputer software alone is very difficult, please evaluate the safety of the final products or systems manufactured by you.
8. Please contact a Renesas Electronics sales office for details as to environmental matters such as the environmental compatibility of each Renesas Electronics product. Please use Renesas Electronics products in compliance with all applicable laws and regulations that regulate the inclusion or use of controlled substances, including without limitation, the EU RoHS Directive. Renesas Electronics assumes no liability for damages or losses occurring as a result of your noncompliance with applicable laws and regulations.
9. Renesas Electronics products and technology may not be used for or incorporated into any products or systems whose manufacture, use, or sale is prohibited under any applicable domestic or foreign laws or regulations. You should not use Renesas Electronics products or technology described in this document for any purpose relating to military applications or use by the military, including but not limited to the development of weapons of mass destruction. When exporting the Renesas Electronics products or technology described in this document, you should comply with the applicable export control laws and regulations and follow the procedures required by such laws and regulations.
10. It is the responsibility of the buyer or distributor of Renesas Electronics products, who distributes, disposes of, or otherwise places the product with a third party, to notify such third party in advance of the contents and conditions set forth in this document, Renesas Electronics assumes no responsibility for any losses incurred by you or third parties as a result of unauthorized use of Renesas Electronics products.
11. This document may not be reproduced or duplicated in any form, in whole or in part, without prior written consent of Renesas Electronics.
12. Please contact a Renesas Electronics sales office if you have any questions regarding the information contained in this document or Renesas Electronics products, or if you have any other inquiries.  
(Note 1) "Renesas Electronics" as used in this document means Renesas Electronics Corporation and also includes its majority-owned subsidiaries.  
(Note 2) "Renesas Electronics product(s)" means any product developed or manufactured by or for Renesas Electronics.



### SALES OFFICES

Renesas Electronics Corporation

<http://www.renesas.com>

Refer to "<http://www.renesas.com/>" for the latest and detailed information.

#### Renesas Electronics America Inc.

2801 Scott Boulevard Santa Clara, CA 95050-2549, U.S.A.  
Tel: +1-408-588-6000, Fax: +1-408-588-6130

#### Renesas Electronics Canada Limited

9251 Yonge Street, Suite 8309 Richmond Hill, Ontario Canada L4C 9T3  
Tel: +1-905-237-2004

#### Renesas Electronics Europe Limited

Dukes Meadow, Millboard Road, Bourne End, Buckinghamshire, SL8 5FH, U.K.  
Tel: +44-1628-585-100, Fax: +44-1628-585-900

#### Renesas Electronics Europe GmbH

Arcadiastrasse 10, 40472 Düsseldorf, Germany  
Tel: +49-211-6503-0, Fax: +49-211-6503-1327

#### Renesas Electronics (China) Co., Ltd.

Room 1709, Quantum Plaza, No.27 ZhiChunLu Haidian District, Beijing 100191, P.R.China  
Tel: +86-10-8235-1155, Fax: +86-10-8235-7679

#### Renesas Electronics (Shanghai) Co., Ltd.

Unit 301, Tower A, Central Towers, 555 Langao Road, Putuo District, Shanghai, P. R. China 200333  
Tel: +86-21-2226-0888, Fax: +86-21-2226-0999

#### Renesas Electronics Hong Kong Limited

Unit 1601-1611, 16/F., Tower 2, Grand Century Place, 193 Prince Edward Road West, Mongkok, Kowloon, Hong Kong  
Tel: +852-2265-6688, Fax: +852 2886-9022

#### Renesas Electronics Taiwan Co., Ltd.

13F, No. 363, Fu Shing North Road, Taipei 10543, Taiwan  
Tel: +886-2-8175-9600, Fax: +886 2-8175-9670

#### Renesas Electronics Singapore Pte. Ltd.

80 Bendemeer Road, Unit #06-02 Hyflux Innovation Centre, Singapore 339949  
Tel: +65-6213-0200, Fax: +65-6213-0300

#### Renesas Electronics Malaysia Sdn.Bhd.

Unit 1207, Block B, Menara Amcorp, Amcorp Trade Centre, No. 18, Jln Persiaran Barat, 46050 Petaling Jaya, Selangor Darul Ehsan, Malaysia  
Tel: +60-3-7955-9390, Fax: +60-3-7955-9510

#### Renesas Electronics India Pvt. Ltd.

No.777C, 100 Feet Road, HAL II Stage, Indiranagar, Bangalore, India  
Tel: +91-80-67208700, Fax: +91-80-67208777

#### Renesas Electronics Korea Co., Ltd.

12F., 234 Teheran-ro, Gangnam-Gu, Seoul, 135-080, Korea  
Tel: +82-2-558-3737, Fax: +82-2-558-5141