

RL78/I1E

R01AN2820EJ0100

Rev.1.00

Analog Characteristics Evaluation PC Application Software Manual Nov. 09, 2015

Introduction

This application note is an instruction manual for RL78/I1E Analog Characteristics Evaluation PC Application Software. This software runs with Excel® 2013 in the Window7 environment.

Target Device

RL78/I1E

Contents

1. Outline.....	2
2. Operating Conditions	3
3. Quick Start Guide.....	4
3.1 Preparation.....	4
3.1.1 Program firmware to RL78/I1E MCU.....	4
3.1.2 Install driver.....	4
3.1.3 Connect PC and RL78/I1E.....	4
3.2 Data Acquisition from COM Port.....	4
4. Function Explanations.....	7
4.1 Main Sheet.....	7
4.2 GraphData Sheet	9
4.3 Log Sheet.....	10
4.4 Measured Data Log Sheet.....	10
5. Communication with the Target MCU	11
5.1 Outline.....	11
5.2 Communication Commands from PC app to MCU.....	11
5.3 STREAM Transfer.....	11
5.3.1 Command Descriptions.....	11
5.3.2 Sequence.....	12
5.3.3 Operation Example	13
5.4 BULK Transfer	14
5.4.1 Command Descriptions.....	14
5.4.2 Sequence.....	16
5.4.3 Operation Example	17

1. Outline

RL78/I1E Analog Characteristics Evaluation PC Application Software (referred to as "PC app" herein) must be executed with Excel® in the Window7 environment. This PC app acquires and stores data from RL78/I1E to analyze data for evaluating the analog functions of the MCU, in particular the characteristics of the 24-bit $\Delta\Sigma$ /D converter with programmable gain instrumentation amplifier. The PC app provides the following functions.

- USB interface allows data to be received from RL78/I1E.
- Draws data in a line graph in real time.
 - Option to receive binary data without drawing a graph, depending on the A/D operation mode, data transfer speed, and/or quantity of data handled.
- Log function can also output received data to worksheets.
- Allows user to edit received data without modifying Excel® VBA program.

This document describes how to use the PC app.

2. Operating Conditions

This section describes the operating conditions required by the PC app. Microsoft® Excel® 2013 (VBA) is used in combination with the PC app and must be installed on your PC before installing this software.

Table 2-1 PC App Operation Environment

Software Type	Product
OS	Microsoft Windows 7
Application	Microsoft® Excel® 2013

The following are usage restrictions and notes related to the use of this PC app.

— Maximum number of storing log values

The number of logs stored per click of the connect button is limited as follows.

- Maximum number of data: 1,048,575 samples

— MCU serial communication settings

- Speed: 2000000bps
- Parity: none
- Stop bits: 1
- Data bits: 8

— Forced termination

Press [Ctrl] + [Break] if Excel® hangs up while this software is receiving data from RL78. Then, click [Stop] when the dialog box appears on the screen to terminate the communication.

— PC operation speed

Do not use auto-scale for the Y-axis setting in the Excel® graph drawing function, as it slows down the PC operation. The animation effect in Excel® causes the same problem. To avoid this, set Excel® to high priority in the task manager.

— Temporary storage of measured data

When data is received, this software creates a temporary file (log_date_time.csv) in the temporary folder (default: C:\Users\%xxxx%\AppData\Local\Temp) specified by the user environment variable. This file is overwritten each time data is received. Therefore, data is always stored in the temporary file, even if an error occurs during communication and Excel® is stopped. Note that files cannot be opened during communication.

The software and examples provided in this document have been confirmed under the following conditions.

Table 2-2 Operating Conditions

Item	Description
Used devices	RL78/I1E(R5F11CCC)
Evaluation board	RL78/I1E TB board MM-FT232 (manufactured by Sunhayato Corp.)
MCU software version	
Excel® version	RL78I1E_Analog_Characteristics_Evaluation.xlsm · ver.1.01

3. Quick Start Guide

3.1 Preparation

3.1.1 Program firmware to RL78/I1E MCU

To run the PC app, first program the Analog Characteristics Evaluation sample code to RL78/I1E using the Renesas Flash Programmer, CS+ or a programming tool provided by a third party. Refer to the target MCU's user's manual for more details.

3.1.2 Install driver

Sunhayato's USB serial conversion module MM-FT232 is equipped with interface controller FT232RQ, manufactured by FTDI. Install the FT232RQ driver by downloading it from the FTDI website (<http://www.ftdichip.com/>).

3.1.3 Connect PC and RL78/I1E

This PC app uses a COM port to communicate with the target MCU. If the MCU evaluation board or your PC is not equipped with RS-232C, connect the PC and RL78/I1E using the USB interface with a virtual COM port (VCP).

For example, when connecting RL78/I1E TB (Naito Densai Machida MFG) and MM-FT232 (Sunhayato), power is supplied from the USB bus of MM-FT232.

Table 3-1 RL78/I1E TB and MM-FT232 Pin Setting

RL78/I1E TB	MM-FT232
P11/SI01/RXD1/SDA01/TI03/TO03/INTP2/TRGCLKA/TRJIO0	TXD
P10/SO01/TXD1/TI01/TO01/INTP1/TRGIOA	RXD
VSS	GND
VDD	5V/3V3

3.2 Data Acquisition from COM Port

- (1) Start Analog Characteristics Evaluation PC Application Software.
- (2) Open Main sheet in Excel®.
- (3) Set serial communications

Although the example below shows COM8, the COM port used by your PC will appear automatically in the pull down menu. Select the valid one and confirm that the bit rate is set to 1000000.

Serial Communication Settings

COM Port:	Baudrate:
USB Serial Port (COM8)	1000000

- (4) Select receive data setting.
Check the receive data format from the MCU. Make sure the data format is decimal, as shown below.

Received Data Settings

<input checked="" type="radio"/> DEC Type <input type="radio"/> HEX Type <input type="radio"/> BIN Type (4byte FIX / No Graph)
<input checked="" type="checkbox"/> Do not use checksum data. (Checksums format is " SUM,XX". XX=HEX)

- (5) Check graph display quantity (# of plots) and frequency of updates.
Check that the graph parameters are set as shown below.

Graph

Graph Width	400	Update Count	8
--------------------	-----	---------------------	---

- (6) Connect the MCU.
Click the [Connect] button and confirm that the status has been updated as shown below. If [Invalid Connect!] appears after clicking [Connect], check the cable connection between the evaluation board and the PC, and make sure the valid COM port is selected.

Before clicking [Connect]

Connect	ON/OFF	-
		-

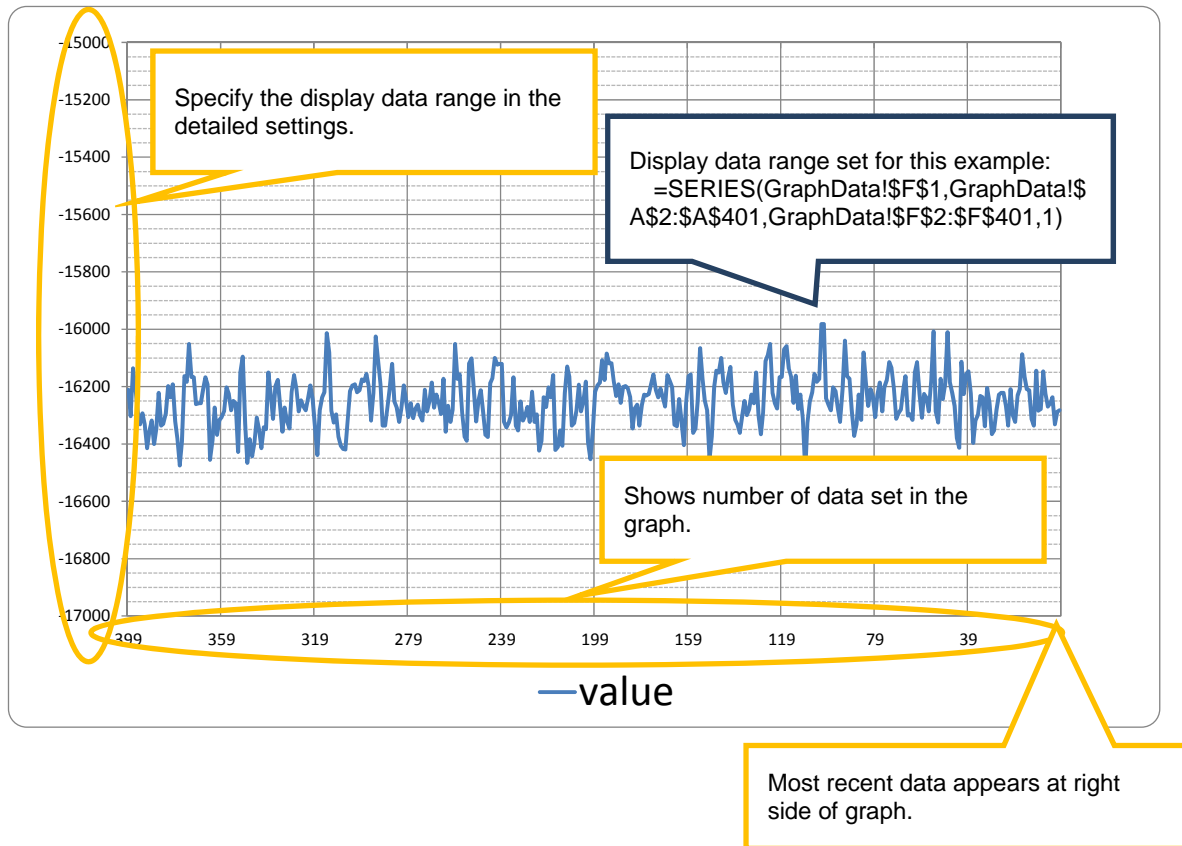
After clicking [Connect]

Disconnect	ON/OFF	Fetching data...
		-

(7) Click [ON/OFF] to start data acquisition.

(8) Received data appears in graph area.

The data in the GraphData sheet will be plotted on the graph automatically. Change the scale of the vertical axis to match the data range, as shown in the example below.



Although the above example shows only one series of data, multiple data series can be added.

(9) When the evaluation is completed, click [ON/OFF], then [Disconnect], in this order, to terminate the communication.

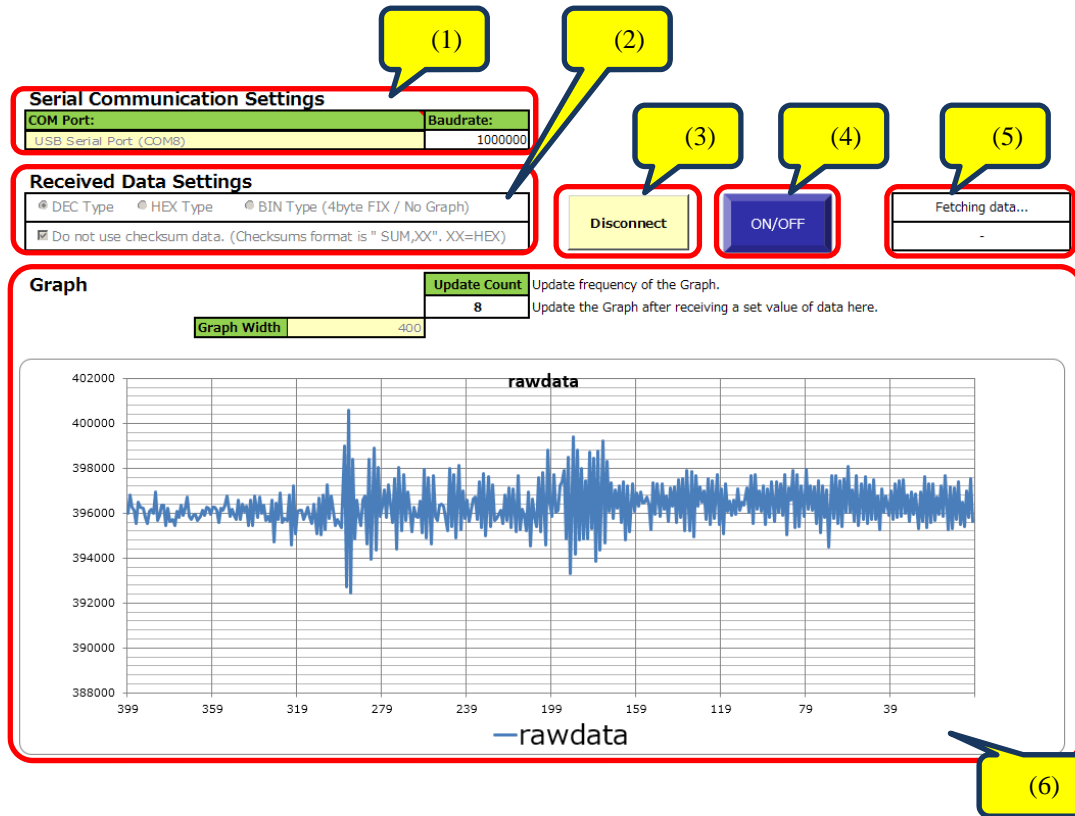
(10) A new measured data log sheet will be automatically added as a new sheet in the same file.

4. Function Explanations

RL78/I1E Analog Characteristics Evaluation PC Application software uses the following worksheets: Main, GraphData, Log, and Measured Data Log. This section describes each sheet in detail.

4.1 Main Sheet

In the Main sheet, you will be able to: (1) set serial port setting, (2) select receive data format, (3) connect/disconnect communication, (4) turn on/off data acquisition, (5) display the communication status, and (6) draw the measured data graph.



- (1) Serial Port Setting
 - COM port selection
 - Selects the COM port for connection to the evaluation board. This selection is only valid after connecting the evaluation board to the PC with a USB cable and installing the driver.
 - Bit rate
 - Sets the bit rate. Specify the value in accordance with the bit rate specified in the target MCU software. This sample is set to 1000000bps.
- (2) Receive Data Format Setting
 - Allows the user to select the receive data format from the following: decimal, hexadecimal, and binary (4-byte fixed/no graph). The user can also select whether to add the checksum at the end of data (exclusive OR of the set of data: 1 byte). This setting should also be made in accordance with the target MCU software.
- (3) Connect/Disconnect
 - When the [Connect] button is clicked, the icon switches to [Disconnect], communication with the MCU is started, and the color of the characters on the [ON/OFF] button changes to red. Similarly, when the [Disconnect] button is clicked, communication with the MCU is terminated and the color of the characters on the [ON/OFF] button goes to white. When [Disconnect] is clicked, a new sheet of data is created.
- (4) ON/OFF
 - Clicking the ON/OFF button starts/stops data acquisition.
- (5) Communication Status Confirmation
 - Displays the status of communication with the PC. Displays various communication statuses, such as: Complete: communication completed; Fetching data...: acquiring data now.
- (6) Graph of Measured Data
 - Graph display quantity (# of plots)
 - Specifies how many data entries are displayed per graph.
 - Graph Update Frequency/Quantity
 - Sets the frequency for updating the graph. The graph is updated each time the specified number of data entries is received. Note, the lower the value, the more frequent the graph is updated, which slows down the CPU.
 - Graph Area
 - Sets the number of display data for the X-axis. Excel® functions are used to draw the graph, enabling the user to copy and paste additional data in the sheet as required. The user can also modify data as necessary for display in the graph

4.2 GraphData Sheet

This GraphData sheet holds the data which is used for the graph in the Main sheet. Data is received from the evaluation board and displayed successively by the PC app. When the received data exceeds the specified maximum number of data for the Main sheet graph, the older data is automatically deleted. The data is plotted from left to right on the graph. Therefore the most recent data always appears on the right side. To offer this feature, the GraphData sheet has a ring buffer function. For example, when the graph display quantity in the Main sheet is set to 400, the value in the 401st row on the GraphData sheet is updated to the latest value, and the value in the 2nd row becomes the oldest value.

	A	B	C	D	E	F	G	H	I
	count	Time	count	gain_set1	gain_set2	offset	rawdata	correct	error
1									
2	399	2015/06/29 18:34:38[054]	3696	8	2	16	395374	24710	0
3	398	2015/06/29 18:34:38[054]	3697	8	2	16	397859	24866	0
4	397	2015/06/29 18:34:38[054]	3698		2	16	396089	24755	0
5	396	2015/06/29 18:34:38[140]	3699					24872	0
6	395	2015/06/29 18:34:38[140]	3700					24715	0
7	394	2015/06/29 18:34:38[140]	3701					24825	0
8	393	2015/06/29 18:34:38[140]	3702					24674	0
9	392	2015/06/29 18:34:38[140]	3703					24813	0
10	391	2015/06/29 18:34:38[140]	3704					24745	0
11	390	2015/06/29 18:34:38[203]	3705					24819	0
12	389	2015/06/29 18:34:38[203]	3706					24744	0
13	388	2015/06/29 18:34:38[203]	3707					24811	0
14	387	2015/06/29 18:34:38[203]	3708					24713	0
15	386	2015/06/29 18:34:38[203]	3709	8	2	16	397568	24848	0
16	385	2015/06/29 18:34:38[203]	3710	8	2	16	395084	24692	0
17	384	2015/06/29 18:34:38[257]	3711	8	2	16	397544	24846	0
18	383	2015/06/29 18:34:38[257]	3712	8	2	16	394943	24683	0
19	382	2015/06/29 18:34:38[257]	3713	8	2	16	397465	24841	0
20	381	2015/06/29 18:34:38[257]	3714	8	2	16	395672	24729	0
21	380	2015/06/29 18:34:38[257]	3715	8	2	16	396754	24797	0
22	379	2015/06/29 18:34:38[257]	3716	8	2	16	395442	24715	0
23	378	2015/06/29 18:34:38[320]	3717	8	2	16	396882	24805	0
24	377	2015/06/29 18:34:38[320]	3718	8	2	16	395132	24695	0
25	376	2015/06/29 18:34:38[320]	3719	8	2	16	396531	24783	0
26	375	2015/06/29 18:34:38[320]	3720	8	2	16	395573	24723	0
27	374	2015/06/29 18:34:38[320]	3721	8	2	16	397362	24835	0
28	373	2015/06/29 18:34:38[320]	3722	8	2	16	395815	24738	0
29	372	2015/06/29 18:34:38[382]	3723	8	2	16	397180	24823	0
30	371	2015/06/29 18:34:38[382]	3724	8	2	16	395942	24746	0

When the Streamheader data is received from the MCU, the strings in the data are displayed here in order. For more details, refer to section 5. Communication with the MCU.

4.3 Log Sheet

The log sheet stores the log history of operations and communications. Each log records the date and time, status, and a description of the operation carried out.

Operation and communication logs (received data is excluded)			Latest line display	All Clear
Date	State	Log		
2015/06/29 19:10:03.476	Button	Connect Button Down		
2015/06/29 19:10:03.562	LogFile	C:\Users\%xxxx%\AppData\Local\Temp\log_20150629_191003.csv		
2015/06/29 19:10:03.562	LogFile	C:\Users\%xxxx%\AppData\Local\Temp\log_20150629_191003_Bulk.csv		
2015/06/29 19:10:05.007	通信	[S] @0[%r%n]		
2015/06/29 19:10:07.007	Button	Disconnect Button Down		

- Latest Row Display
Clicking this button takes the cursor to the latest row of data in the log.
- Clear All
Clicking this button displays the confirmation window. Select [Agree] to clear all logs.

4.4 Measured Data Log Sheet

A new measured data log sheet is automatically generated each time a measurement is completed, and the measured data is output to the sheet. A new sheet is added each time [Disconnect] is clicked after communication is started. The name of each sheet consists of the date and time (yyyymmdd_hhmmss) the measurement was initiated (example: “20150521_164548.”)

5. Communication with the Target MCU

5.1 Outline

This PC app has four types of protocols to communicate with the MCU.

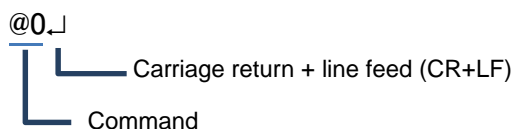
- Commands from this PC app to the MCU
- Stream transfer: sends data from the MCU at regular intervals
- Bulk transfer: sends a large number of data on request
- Binary transfer: sends a large number of data at high speed

The stream transfer is considered useful for sending A/D converted results to the PC at regular intervals, as the data can be displayed the moment it is received. On the other hand, the bulk transfer is handy when sending a large number of data, such as for Fourier-transformed results, at one time. The data is displayed after the data send operation is complete.

* These are only general descriptions, not restrictions; A/D converted values can also be sent bulk transfers.

5.2 Communication Commands from PC app to MCU

The PC app sends a command to the MCU to start/terminate a measurement operation. As the MCU is limited in resources, its command format is extremely simple (4-byte fixed).



5.3 STREAM Transfer

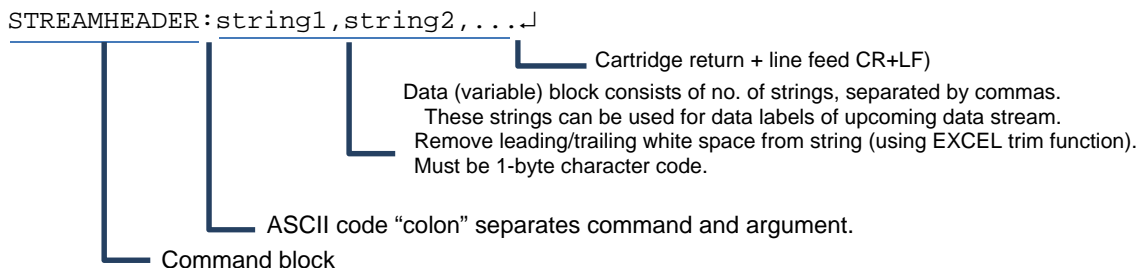
Stream transfer is used to send each measurement result from the MCU on a regular basis, allowing the data to be reflected in the graph as soon as it is received.

Stream transfer employs ASCII code to send numeric data, such as A/D converted results, by converting that data into a character string with sprint or similar format. Stream transfers have two commands, STREAMHEADER and STREAM.

5.3.1 Command Descriptions

(1) STREAMHEADER command format

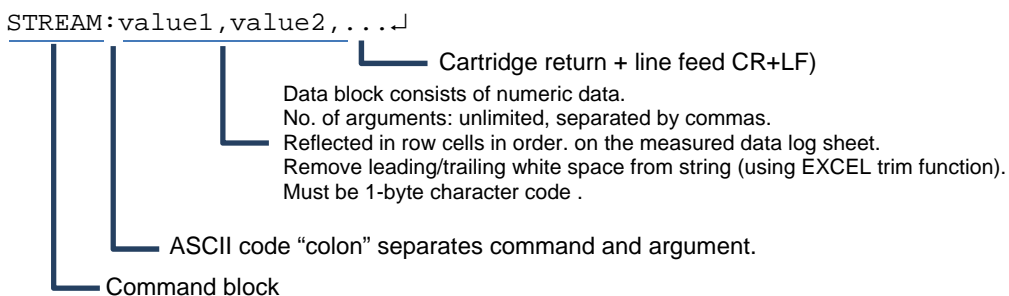
When the PC app receives the STREAMHEADER command, it includes the number of data to be received.



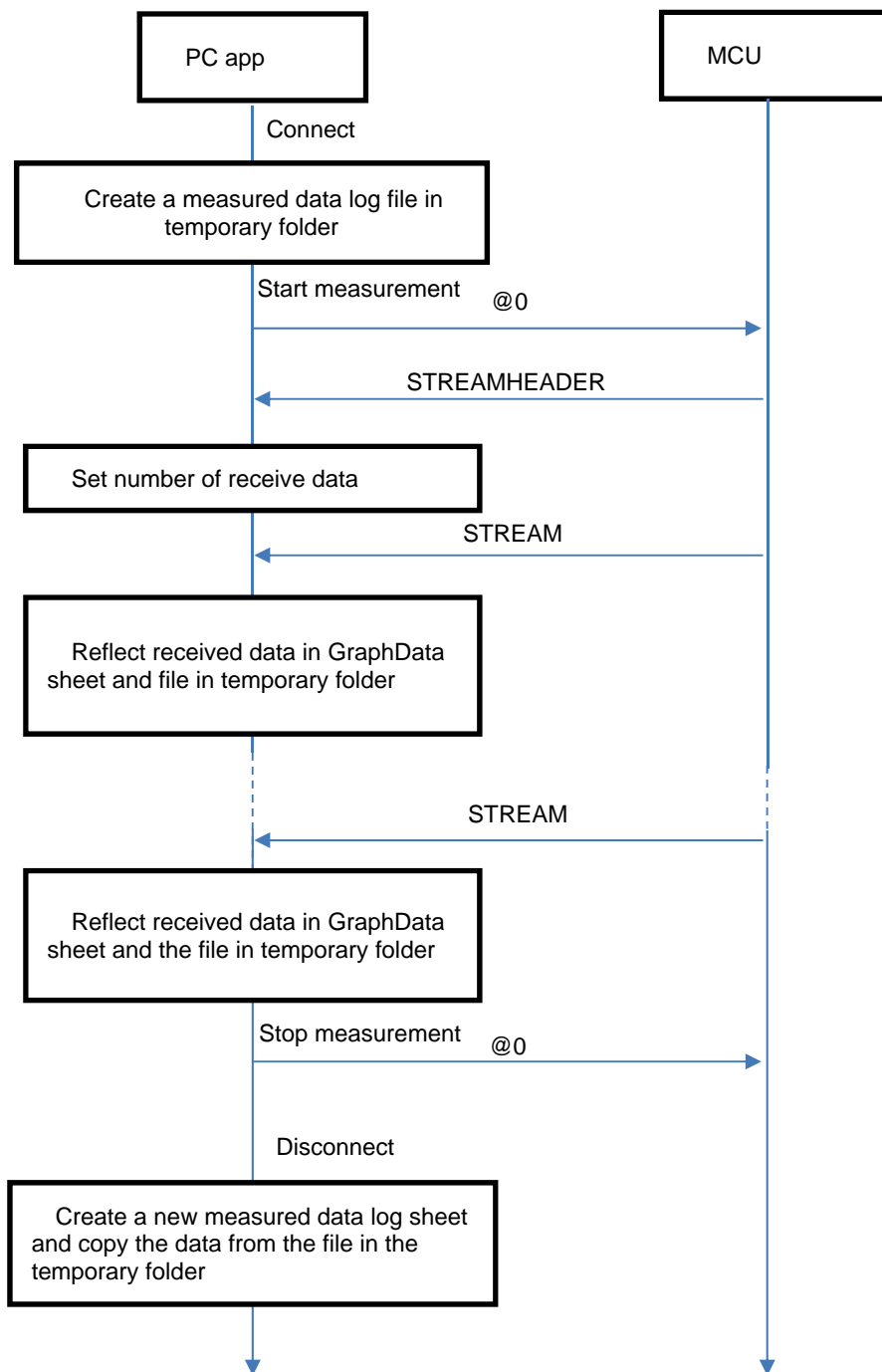
(2) STREAM command format

When the PC app receives the STREAM command, it places the received data in the GraphData sheet.

The data can be plotted in the graph in real time by setting the Main sheet graph reference range to correspond with the GraphData range.



5.3.2 Sequence



5.3.3 Operation Example

	A	B	C	D	E	F	G	H	I	J	K	L	M
1	count	Time											
395	6												
396	5												
397	4												
398	3												
399	2												
400	1												
401	0												
402													



Received data

[STREAMHEADER:count,gain_set1,gain_set2,offset,rawdata,correct,erro](#)



	A	B	C	D	E	F	G	H	I	J	K	L	M
1	count	Time	count	gain_set1	gain_set2	offset	rawdata	correct	error				
395	6												
396	5												
397	4												
398	3												
399	2												
400	1												
401	0												
402													



Received data

[STREAM:0,1,8,16,363278,45409,0](#)



	A	B	C	D	E	F	G	H	I	J	K	L	M
1	count	Time	count	gain_set1	gain_set2	offset	rawdata	correct	error				
395	6												
396	5												
397	4												
398	3												
399	2												
400	1												
401	0	2015/06/30 09:33:58[906]	0	1	8	16	363278	45409	0				
402													

5.4 BULK Transfer

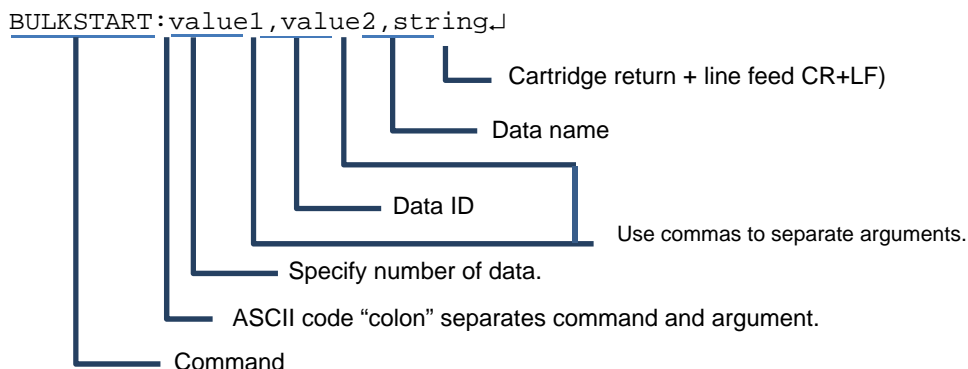
The bulk transfer is used to send a large set of accumulated data from the MCU as requested, rather than sending one data at a time on a regular basis.

Bulk transfers have three commands, BULKSTART, BULK, and BULKEND commands.

5.4.1 Command Descriptions

(1) BULKSTART command format

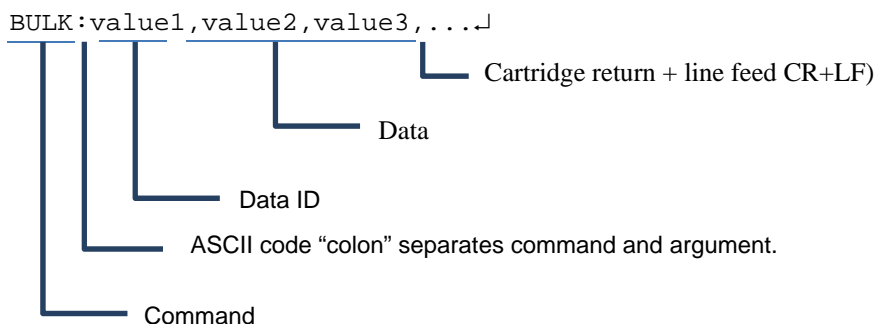
When the PC app receives the BULKSTART command, it prepares a buffer for the number of receive data specified in the argument.



(2) BULK command format

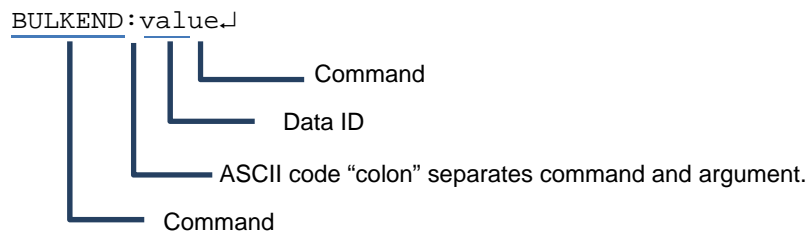
When the PC app receives the BULK command, it stores the data in the buffer prepared in response to the BULKSTART command. Depending on the quantity of data received, the PC app will either receive the BULKEND command or continue to store data until it receives the specified number of data.

When "value1" is received and it does not match with the data ID specified in the BULKSTART command, the PC app discards the following data.

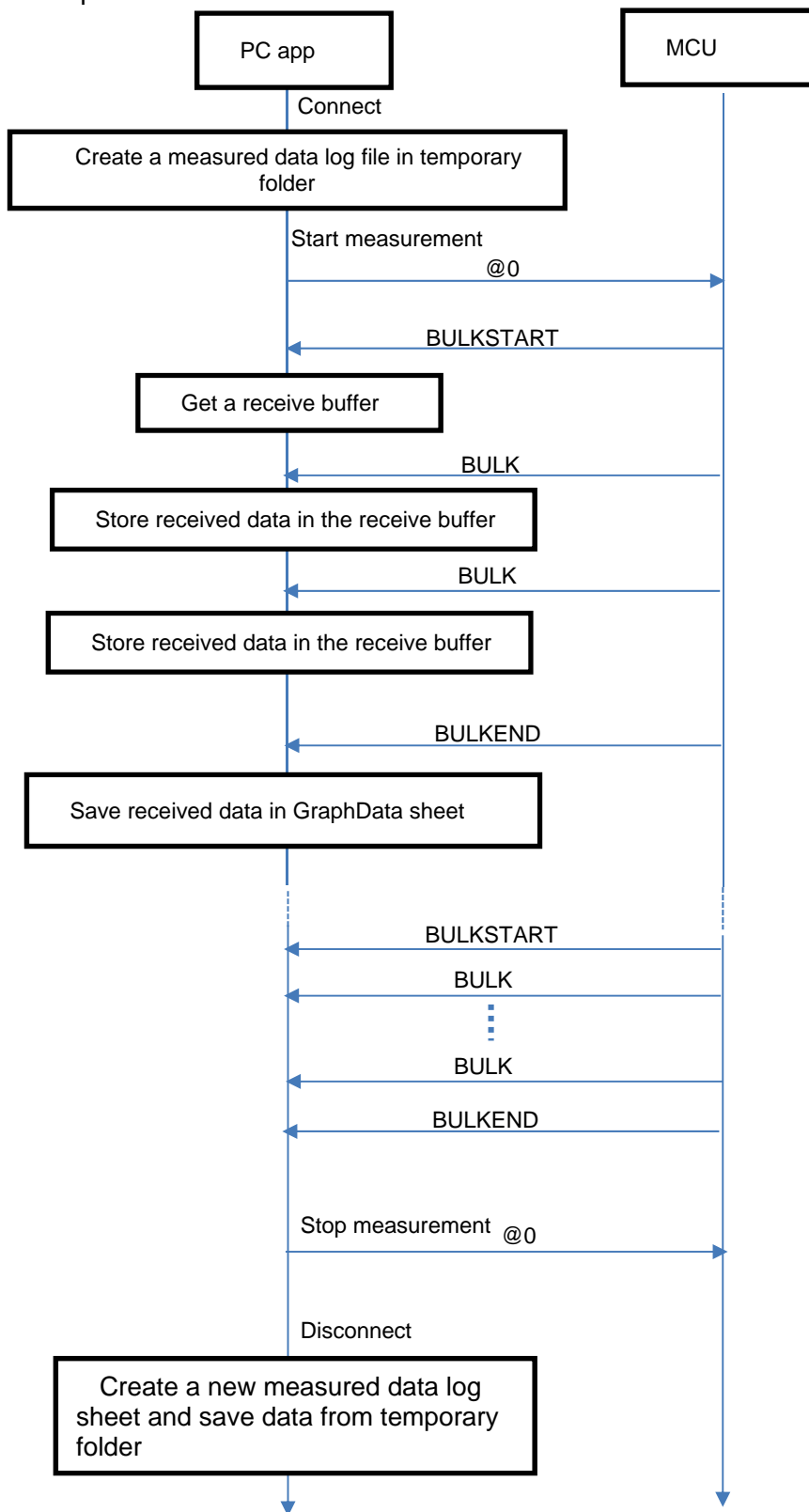


(3) BULKEND command format

When the PC app receives the BULKEND command, it stores the data received in the BULK command in the GraphData sheet.



5.4.2 Sequence



5.4.3 Operation Example

	A	B	C	D	E	F	G	H	I	J	K	L	M
1	count	Time	count	gain_set1	gain_set2	offset	rawdata	correct	error				
2		399											
3		398											
4		397											
5		396											
6		395											
7		394											
8		393											

Received data

BULKSTART:100,0,RAWDATA

	A	B	C	D	E	F	G	H	I	J	K	L	M
1	count	Time	count	gain_set1	gain_set2	offset	rawdata	correct	error		Time	Count	RAWDATA
2		399											
3		398											
4		397											
5		396											
6		395											
7		394											
8		393											

Received data

BULK:0,0,1,2,3,4,5,6,7,8,9,10,11,12,13,14,15,16,17,18,19
 BULK:0,20,21,22,23,24,25,26,27,28,29,30,31,32,33,34,35,36,37,38,39
 BULK:0,40,41,42,43,44,45,46,47,48,49,50,51,52,53,54,55,56,57,58,59
 BULK:0,60,61,62,63,64,65,66,67,68,69,70,71,72,73,74,75,76,77,78,79
 BULK:0,80,81,82,83,84,85,86,87,88,89,90,91,92,93,94,95,96,97,98,99

Received data

BULKEND:0

	A	B	C	D	E	F	G	H	I	J	K	L	M
1	count	Time	count	gain_set1	gain_set2	offset	rawdata	correct	error		Time	Count	RAWDATA
2		399									2015/06/30 13:29:55[050]	0	0
3		398									2015/06/30 13:29:55[050]	0	1
4		397									2015/06/30 13:29:55[050]	0	2
99		302									2015/06/30 13:30:02[464]	0	97
100		301									2015/06/30 13:30:02[464]	0	98
101		300									2015/06/30 13:30:02[464]	0	99
102		299											
103		298											

Website and Support

Renesas Electronics Website

<http://www.renesas.com/>

Inquiries

<http://www.renesas.com/contact/>

All trademarks and registered trademarks are the property of their respective owners.

Revision History

Rev.	Date	Description	
		Page	Summary
1.00	Nov. 09, 2015	---	First edition issued

General Precautions in the Handling of Microprocessing Unit and Microcontroller Unit Products

The following usage notes are applicable to all Microprocessing unit and Microcontroller unit products from Renesas. For detailed usage notes on the products covered by this document, refer to the relevant sections of the document as well as any technical updates that have been issued for the products.

1. Handling of Unused Pins

Handle unused pins in accordance with the directions given under Handling of Unused Pins in the manual.

- The input pins of CMOS products are generally in the high-impedance state. In operation with an unused pin in the open-circuit state, extra electromagnetic noise is induced in the vicinity of LSI, an associated shoot-through current flows internally, and malfunctions occur due to the false recognition of the pin state as an input signal become possible. Unused pins should be handled as described under Handling of Unused Pins in the manual.

2. Processing at Power-on

The state of the product is undefined at the moment when power is supplied.

- The states of internal circuits in the LSI are indeterminate and the states of register settings and pins are undefined at the moment when power is supplied.
In a finished product where the reset signal is applied to the external reset pin, the states of pins are not guaranteed from the moment when power is supplied until the reset process is completed.
In a similar way, the states of pins in a product that is reset by an on-chip power-on reset function are not guaranteed from the moment when power is supplied until the power reaches the level at which resetting has been specified.

3. Prohibition of Access to Reserved Addresses

Access to reserved addresses is prohibited.

- The reserved addresses are provided for the possible future expansion of functions. Do not access these addresses; the correct operation of LSI is not guaranteed if they are accessed.

4. Clock Signals

After applying a reset, only release the reset line after the operating clock signal has become stable. When switching the clock signal during program execution, wait until the target clock signal has stabilized.

- When the clock signal is generated with an external resonator (or from an external oscillator) during a reset, ensure that the reset line is only released after full stabilization of the clock signal. Moreover, when switching to a clock signal produced with an external resonator (or by an external oscillator) while program execution is in progress, wait until the target clock signal is stable.

5. Differences between Products

Before changing from one product to another, i.e. to a product with a different part number, confirm that the change will not lead to problems.

- The characteristics of Microprocessing unit or Microcontroller unit products in the same group but having a different part number may differ in terms of the internal memory capacity, layout pattern, and other factors, which can affect the ranges of electrical characteristics, such as characteristic values, operating margins, immunity to noise, and amount of radiated noise. When changing to a product with a different part number, implement a system-evaluation test for the given product.

Notice

1. Descriptions of circuits, software and other related information in this document are provided only to illustrate the operation of semiconductor products and application examples. You are fully responsible for the incorporation of these circuits, software, and information in the design of your equipment. Renesas Electronics assumes no responsibility for any losses incurred by you or third parties arising from the use of these circuits, software, or information.
 2. Renesas Electronics has used reasonable care in preparing the information included in this document, but Renesas Electronics does not warrant that such information is error free. Renesas Electronics assumes no liability whatsoever for any damages incurred by you resulting from errors in or omissions from the information included herein.
 3. Renesas Electronics does not assume any liability for infringement of patents, copyrights, or other intellectual property rights of third parties by or arising from the use of Renesas Electronics products or technical information described in this document. No license, express, implied or otherwise, is granted hereby under any patents, copyrights or other intellectual property rights of Renesas Electronics or others.
 4. You should not alter, modify, copy, or otherwise misappropriate any Renesas Electronics product, whether in whole or in part. Renesas Electronics assumes no responsibility for any losses incurred by you or third parties arising from such alteration, modification, copy or otherwise misappropriation of Renesas Electronics product.
 5. Renesas Electronics products are classified according to the following two quality grades: "Standard" and "High Quality". The recommended applications for each Renesas Electronics product depends on the product's quality grade, as indicated below.
"Standard": Computers; office equipment; communications equipment; test and measurement equipment; audio and visual equipment; home electronic appliances; machine tools; personal electronic equipment; and industrial robots etc.
"High Quality": Transportation equipment (automobiles, trains, ships, etc.); traffic control systems; anti-disaster systems; anti-crime systems; and safety equipment etc.
Renesas Electronics products are neither intended nor authorized for use in products or systems that may pose a direct threat to human life or bodily injury (artificial life support devices or systems, surgical implantations etc.), or may cause serious property damages (nuclear reactor control systems, military equipment etc.). You must check the quality grade of each Renesas Electronics product before using it in a particular application. You may not use any Renesas Electronics product for any application for which it is not intended. Renesas Electronics shall not be in any way liable for any damages or losses incurred by you or third parties arising from the use of any Renesas Electronics product for which the product is not intended by Renesas Electronics.
 6. You should use the Renesas Electronics products described in this document within the range specified by Renesas Electronics, especially with respect to the maximum rating, operating supply voltage range, movement power voltage range, heat radiation characteristics, installation and other product characteristics. Renesas Electronics shall have no liability for malfunctions or damages arising out of the use of Renesas Electronics products beyond such specified ranges.
 7. Although Renesas Electronics endeavors to improve the quality and reliability of its products, semiconductor products have specific characteristics such as the occurrence of failure at a certain rate and malfunctions under certain use conditions. Further, Renesas Electronics products are not subject to radiation resistance design. Please be sure to implement safety measures to guard them against the possibility of physical injury, and injury or damage caused by fire in the event of the failure of a Renesas Electronics product, such as safety design for hardware and software including but not limited to redundancy, fire control and malfunction prevention, appropriate treatment for aging degradation or any other appropriate measures. Because the evaluation of microcomputer software alone is very difficult, please evaluate the safety of the final products or systems manufactured by you.
 8. Please contact a Renesas Electronics sales office for details as to environmental matters such as the environmental compatibility of each Renesas Electronics product. Please use Renesas Electronics products in compliance with all applicable laws and regulations that regulate the inclusion or use of controlled substances, including without limitation, the EU RoHS Directive. Renesas Electronics assumes no liability for damages or losses occurring as a result of your noncompliance with applicable laws and regulations.
 9. Renesas Electronics products and technology may not be used for or incorporated into any products or systems whose manufacture, use, or sale is prohibited under any applicable domestic or foreign laws or regulations. You should not use Renesas Electronics products or technology described in this document for any purpose relating to military applications or use by the military, including but not limited to the development of weapons of mass destruction. When exporting the Renesas Electronics products or technology described in this document, you should comply with the applicable export control laws and regulations and follow the procedures required by such laws and regulations.
 10. It is the responsibility of the buyer or distributor of Renesas Electronics products, who distributes, disposes of, or otherwise places the product with a third party, to notify such third party in advance of the contents and conditions set forth in this document, Renesas Electronics assumes no responsibility for any losses incurred by you or third parties as a result of unauthorized use of Renesas Electronics products.
 11. This document may not be reproduced or duplicated in any form, in whole or in part, without prior written consent of Renesas Electronics.
 12. Please contact a Renesas Electronics sales office if you have any questions regarding the information contained in this document or Renesas Electronics products, or if you have any other inquiries.
- (Note 1) "Renesas Electronics" as used in this document means Renesas Electronics Corporation and also includes its majority-owned subsidiaries.
(Note 2) "Renesas Electronics product(s)" means any product developed or manufactured by or for Renesas Electronics.



SALES OFFICES

Renesas Electronics Corporation

<http://www.renesas.com>

Refer to "<http://www.renesas.com/>" for the latest and detailed information.

Renesas Electronics America Inc.
2801 Scott Boulevard Santa Clara, CA 95050-2549, U.S.A.
Tel: +1-408-588-6000, Fax: +1-408-588-6130

Renesas Electronics Canada Limited
9251 Yonge Street, Suite 8309 Richmond Hill, Ontario Canada L4C 9T3
Tel: +1-905-237-2004

Renesas Electronics Europe Limited
Dukes Meadow, Millboard Road, Bourne End, Buckinghamshire, SL8 5FH, U.K.
Tel: +44-1628-585-100, Fax: +44-1628-585-900

Renesas Electronics Europe GmbH
Arcadiastrasse 10, 40472 Düsseldorf, Germany
Tel: +49-211-6503-0, Fax: +49-211-6503-1327

Renesas Electronics (China) Co., Ltd.
Room 1709, Quantum Plaza, No.27 ZhiChunLu Haidian District, Beijing 100191, P.R.China
Tel: +86-10-8235-1155, Fax: +86-10-8235-7679

Renesas Electronics (Shanghai) Co., Ltd.
Unit 301, Tower A, Central Towers, 555 Langao Road, Putuo District, Shanghai, P. R. China 200333
Tel: +86-21-2226-0888, Fax: +86-21-2226-0999

Renesas Electronics Hong Kong Limited
Unit 1601-1611, 16/F., Tower 2, Grand Century Place, 193 Prince Edward Road West, Mongkok, Kowloon, Hong Kong
Tel: +852-2265-6688, Fax: +852 2886-9022

Renesas Electronics Taiwan Co., Ltd.
13F, No. 363, Fu Shing North Road, Taipei 10543, Taiwan
Tel: +886-2-8175-9600, Fax: +886 2-8175-9670

Renesas Electronics Singapore Pte. Ltd.
80 Bendemeer Road, Unit #06-02 Hyflux Innovation Centre, Singapore 339949
Tel: +65-6213-0200, Fax: +65-6213-0300

Renesas Electronics Malaysia Sdn.Bhd.
Unit 1207, Block B, Menara Amcorp, Amcorp Trade Centre, No. 18, Jln Persiaran Barat, 46050 Petaling Jaya, Selangor Darul Ehsan, Malaysia
Tel: +60-3-7955-9390, Fax: +60-3-7955-9510

Renesas Electronics India Pvt. Ltd.
No.777C, 100 Feet Road, HALII Stage, Indiranagar, Bangalore, India
Tel: +91-80-67208700, Fax: +91-80-67208777

Renesas Electronics Korea Co., Ltd.
12F., 234 Teheran-ro, Gangnam-Gu, Seoul, 135-080, Korea
Tel: +82-2-558-3737, Fax: +82-2-558-5141