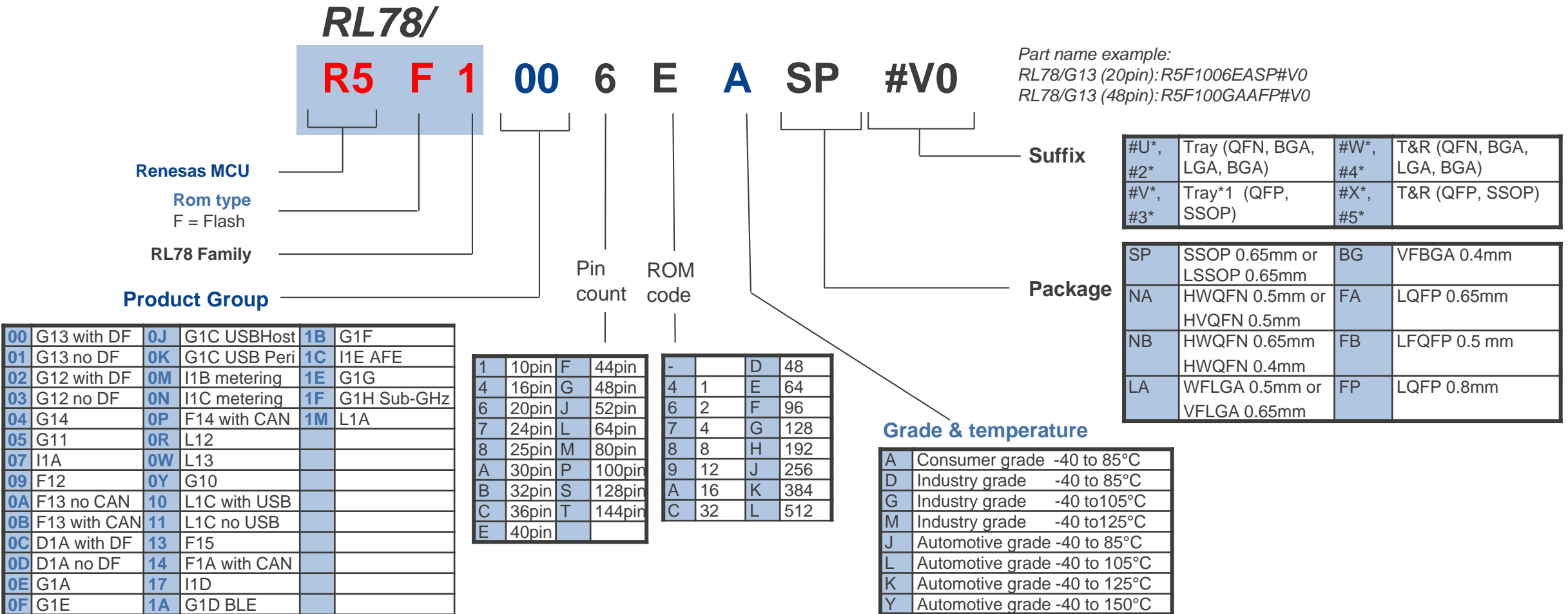


RL78: ORDERABLE PART NUMBER GUIDANCE



*1: For 20-pin RL78/G12 and RL78/I1A LSSOP products only the package specification is tube.