

## General Description

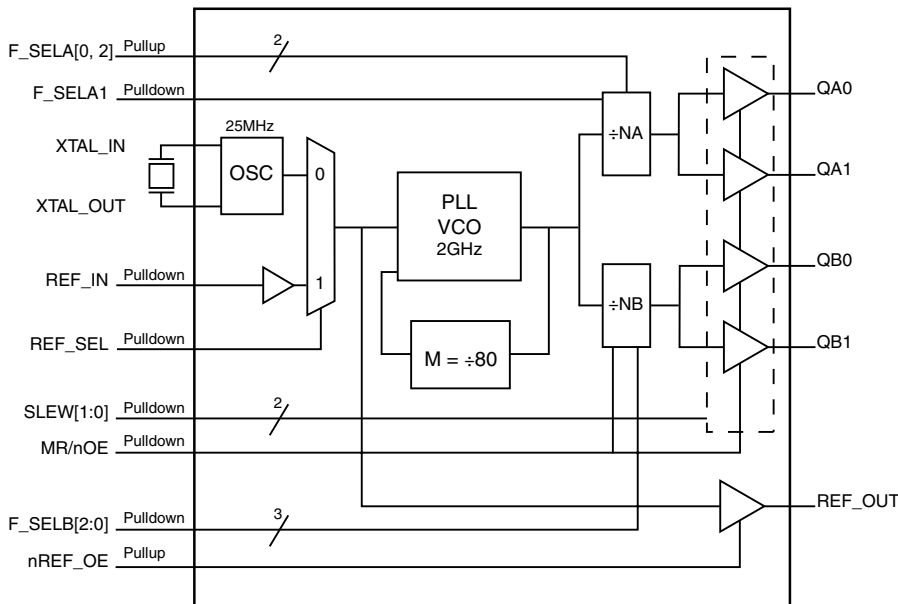
The 840S05I is a five output LVCMOS/LVTTL Frequency Synthesizer accepting crystal or single-ended reference clock inputs. The 840S05I uses a 25MHz parallel resonant crystal to generate 33.33MHz – 166.67MHz clock signals, replacing solutions requiring multiple oscillator and fan-out buffer solution. The device supports output slew rate control with two slew select pins (SLEW[1:0]). The VCO operates at a frequency of 2GHz. The device has 2 output banks, Bank A with two 33.33MHz – 166.67MHz LVCMOS/LVTTL outputs and Bank B with two 33.33MHz – 166.67MHz LVCMOS/LVTTL outputs.

The two banks have their own dedicated frequency select pins and can be independently set for frequencies in the ranges mentioned above. Designed for networking and industrial applications, the 840S05I can also drive the high-speed clock inputs of communication processors, DSPs, switches and bridges.

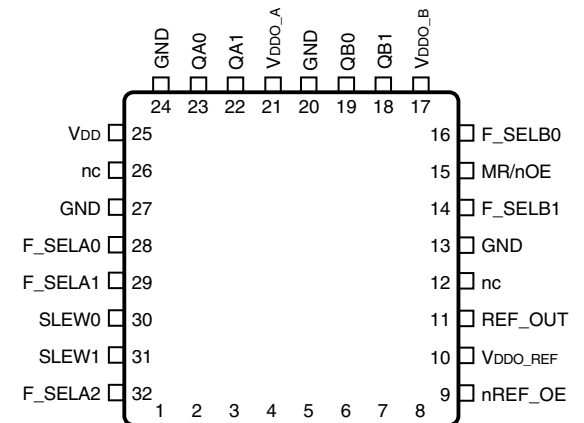
## Features

- Four single-ended LVCMOS/LVTTL clock outputs
- One REF\_OUT LVCMOS/LVTTL clock output
- Selectable crystal oscillator interface, 25MHz, 18pF parallel resonant crystal or LVCMOS/LVTTL single-ended reference input
- Supports the following output frequencies on either bank: 33.33MHz, 50MHz, 66.67MHz, 83.33MHz, 100MHz, 125MHz, 133.33MHz, and 166.67MHz
- VCO: 2GHz
- Slew rate control
- Output supply modes:  
Core/Output  
3.3V/3.3V  
3.3V/2.5V
- -40°C to 85°C ambient operating temperature
- Lead-free (RoHS 6) packaging

## Block Diagram



## Pin Assignment



### 840S05I

32-Lead TQFP, E-Pad  
7mm x 7mm x 1mm package body  
Y Package  
Top View

## Pin Description and Pin Characteristic Tables

**Table 1. Pin Descriptions**

Number	Name	Type		Description
1	V <sub>DDA</sub>	Power		Analog supply pin.
2, 25	V <sub>DD</sub>	Power		Core supply pin.
3, 4	XTAL_OUT, XTAL_IN	Input		Crystal oscillator interface. XTAL_IN is the input. XTAL_OUT is the output.
5, 13, 20, 24, 27	GND	Power		Power supply ground.
6	REF_SEL	Input	Pulldown	Reference select pin. See Table 3C. LVCMOS/LVTTL interface levels.
7	REF_IN	Input	Pulldown	Single-ended 25MHz reference clock input. LVCMOS/LVTTL interface levels.
8, 14, 16	F_SELB2, F_SELB1, F_SELB0	Input	Pulldown	Frequency select pins for Bank B outputs. See Table 3A. LVCMOS/LVTTL interface levels.
9	nREF_OE	Input	Pullup	Active low REF_OUT enable/disable pin. See Table 3D. LVCMOS/LVTTL interface levels.
10	V <sub>DDO_REF</sub>	Power		Output supply pin for REF_OUT clock output.
11	REF_OUT	Output		Single-ended LVCMOS/LVTTL reference clock output.
12, 26	nc	Unused		No connect.
15	MR/nOE	Input	Pulldown	Active HIGH Master Reset. Active LOW output enable. See Table 3E. LVCMOS/LVTTL interface levels.
17	V <sub>DDO_B</sub>	Power		Output supply pin for QBx outputs.
18, 19	QB1, QB0	Output		Single-ended Bank B clock outputs. LVCMOS/LVTTL interface levels.
21	V <sub>DDO_A</sub>	Power		Output supply pin for QAx outputs.
22, 23	QA1, QA0	Output		Single-ended Bank A clock outputs. LVCMOS/LVTTL interface levels.
28, 32	F_SELA0, F_SELA2	Input	Pullup	Frequency select pins for Bank A outputs. See Table 3A. LVCMOS/LVTTL interface levels.
29	F_SELA1	Input	Pulldown	Frequency select pin for Bank A outputs. See Table 3A. LVCMOS/LVTTL interface levels.
30, 31	SLEW0, SLEW1	Input	Pulldown	Slew rate select pins for LVCMOS/LVTTL clock output. See Table 3B. LVCMOS/LVTTL interface levels.

NOTE: *Pullup* and *Pulldown* refer to internal input resistors. See Table 2, *Pin Characteristics*, for typical values.

**Table 2. Pin Characteristics**

Symbol	Parameter	Test Conditions	Minimum	Typical	Maximum	Units
$C_{IN}$	Input Capacitance			2		pF
$C_{PD}$	Power Dissipation Capacitance	QA[1:0], QB[1:0] SLEW[1:0] = 00 $V_{DD}, V_{DDA}, V_{DDO\_REF}, V_{DDO\_A}, V_{DDO\_B} = 3.465V$		6.5		pF
		QA[1:0], QB[1:0] SLEW[1:0] = 01 $V_{DD}, V_{DDA}, V_{DDO\_REF}, V_{DDO\_A}, V_{DDO\_B} = 3.465V$		10.5		pF
		QA[1:0], QB[1:0] SLEW[1:0] = 10 $V_{DD}, V_{DDA}, V_{DDO\_REF}, V_{DDO\_A}, V_{DDO\_B} = 3.465V$		13		pF
		QA[1:0], QB[1:0] SLEW[1:0] = 11 $V_{DD}, V_{DDA}, V_{DDO\_REF}, V_{DDO\_A}, V_{DDO\_B} = 3.465V$		16		pF
		QA[1:0], QB[1:0] $V_{DD}, V_{DDA} = 3.465V$ $V_{DDO\_REF}, V_{DDO\_A}, V_{DDO\_B} = 2.625V$		5		pF
		REF_OUT $V_{DD}, V_{DDA} = 3.465V$ $V_{DDO\_REF}, V_{DDO\_A}, V_{DDO\_B} = 3.465V$ or $2.625V$		4		pF
$R_{PULLUP}$	Input Pullup Resistor			51		k $\Omega$
$R_{PULLDOWN}$	Input Pulldown Resistor			51		k $\Omega$
$R_{OUT}$ ; NOTE 1	Output Impedance	QA[1:0], QB[1:0] $V_{DDO\_A}, V_{DDO\_B} = 3.3V$		18		$\Omega$
		QA[1:0], QB[1:0] $V_{DDO\_A}, V_{DDO\_B} = 2.5V$		21		$\Omega$
		REF_OUT $V_{DDO\_REF} = 3.3V$		22		$\Omega$
		REF_OUT $V_{DDO\_REF} = 2.5V$		25		$\Omega$

NOTE 1: Characterized with SLEW[1:0] = 00.

## Function Tables

**Table 3A. Frequency Select Function Table**

Inputs					Output Frequency	
F_SEL A2, F_SEL B2	F_SEL A1, F_SEL B1	F_SEL A0, F_SEL B0	M Divider Value	NA, NB Divider Value	QA[1:0] (MHz)	QB[1:0] (MHz)
L	L	L	80	60	33.33	33.33 (default)
L	L	H	80	40	50	50
L	H	L	80	30	66.67	66.67
L	H	H	80	24	83.33	83.33
H	L	L	80	20	100	100
H	L	H	80	16	125 (default)	125
H	H	L	80	15	133.33	133.33
H	H	H	80	12	166.67	166.67

NOTE: Using 25MHz reference.

**Table 3B. Slew Rate Function Table**

Setting		Slew Rate (v/ns)
SLEW1	SLEW0	
0	0	3.5 (Default)
0	1	2.6
1	0	1.8
1	1	1.0

NOTE: Typical values for  $V_{DDO\_A}$ ,  $V_{DDO\_B} = 3.3V$ . Refer to the AC Characteristics Table for more details.

**Table 3C. REF\_SEL Function Table**

REF_SEL	Input Reference
0 (Default)	XTAL_IN
1	REF_IN

**Table 3D. nREF\_OE Function Table**

nREF_OE	REF_OUT State
0	REF_OUT enabled
1 (Default)	REF_OUT disabled (Logic LOW)

**Table 3E. MR/nOE Function Table**

MR/nOE	Function
0 (Default)	QA and QB outputs enabled.
1	Device reset, QA and QB outputs disabled (Logic LOW).

NOTE: A MR/OE pulse is required after device power-up to guarantee functionality.

## Absolute Maximum Ratings

NOTE: Stresses beyond those listed under *Absolute Maximum Ratings* may cause permanent damage to the device. These ratings are stress specifications only. Functional operation of product at these conditions or any conditions beyond those listed in the *DC Characteristics* or *AC Characteristics* is not implied. Exposure to absolute maximum rating conditions for extended periods may affect product reliability.

Item	Rating
Supply Voltage, $V_{DD}$	4.6V
Inputs, $V_I$ XTAL_IN Other Inputs	0V to $V_{DD}$ -0.5V to $V_{DD} + 0.5V$
Outputs, $V_O$	-0.5V to $V_{DD} + 0.5V$
Package Thermal Impedance, $\theta_{JA}$	36.2°C/W (0 mps)
Storage Temperature, $T_{STG}$	-65°C to 150°C

## DC Electrical Characteristics

**Table 4A. Power Supply DC Characteristics,  $V_{DD} = V_{DDO\_REF} = V_{DDO\_A} = V_{DDO\_B} = 3.3V \pm 5\%$ ,  $T_A = -40^\circ\text{C}$  to  $85^\circ\text{C}$**

Symbol	Parameter	Test Conditions	Minimum	Typical	Maximum	Units
$V_{DD}$	Core Supply Voltage		3.135	3.3	3.465	V
$V_{DDA}$	Analog Supply Voltage		$V_{DD} - 0.20$	3.3	$V_{DD}$	V
$V_{DDO\_A}$ , $V_{DDO\_B}$ , $V_{DDO\_REF}$	Output Supply Voltage		3.135	3.3	3.465	V
$I_{DD}$	Power Supply Current				160	mA
$I_{DDA}$	Analog Supply Current				20	mA
$I_{DDO\_A}$ , $I_{DDO\_B}$	Output Supply Current	SLEW[1:0] = 11, QA[1:0], QB[1:0] = 166.67MHz; REF_OUT = 25MHz, Outputs Not Loaded			30	mA
$I_{DDO\_REF}$	Output Supply Current	Outputs Not Loaded			2	mA

NOTE: All parameters specified for inputs and outputs under static conditions, unless otherwise noted.

**Table 4B. Power Supply DC Characteristics,  $V_{DD} = 3.3V \pm 5\%$ ,  $V_{DDO\_REF} = V_{DDO\_A} = V_{DDO\_B} = 2.5V \pm 5\%$ ,  $T_A = -40^\circ\text{C}$  to  $85^\circ\text{C}$**

Symbol	Parameter	Test Conditions	Minimum	Typical	Maximum	Units
$V_{DD}$	Core Supply Voltage		3.135	3.3	3.465	V
$V_{DDA}$	Analog Supply Voltage		$V_{DD} - 0.20$	3.3	$V_{DD}$	V
$V_{DDO\_A}$ , $V_{DDO\_B}$ , $V_{DDO\_REF}$	Output Supply Voltage		2.375	2.5	2.625	V
$I_{DD}$	Power Supply Current				160	mA
$I_{DDA}$	Analog Supply Current				20	mA
$I_{DDO\_A}$ , $I_{DDO\_B}$	Output Supply Current	SLEW[1:0] = 11, QA[1:0], QB[1:0] = 166.67MHz; REF_OUT = 25MHz, Outputs Not Loaded			10	mA
$I_{DDO\_REF}$	Output Supply Current	Outputs Not Loaded			1	mA

NOTE: All parameters specified for inputs and outputs under static conditions, unless otherwise noted.

**Table 4C. LVC MOS DC Characteristics**,  $V_{DD} = 3.3V \pm 5\%$ ,  $V_{DDO\_REF} = V_{DDO\_A} = V_{DDO\_B} = 3.3V \pm 5\%$  or  $2.5V \pm 5\%$ ,  $T_A = -40^\circ C$  to  $85^\circ C$

Symbol	Parameter	Test Conditions	Minimum	Typical	Maximum	Units
$V_{IH}$	Input High Voltage	$V_{DD} = 3.465V$	2.2		$V_{DD} + 0.3$	V
$V_{IL}$	Input Low Voltage	$V_{DD} = 3.465V$	-0.3		0.8	V
$I_{IH}$	Input High Current	nREF_OE, F_SELA0, FSELA2	$V_{DD} = V_{IN} = 3.465V$		10	$\mu A$
		F_SELB[2:0], SLEW0, SLEW1, F_SELA1, MR/nOE, REF_IN, REF_SEL	$V_{DD} = V_{IN} = 3.465V$		150	$\mu A$
$I_{IL}$	Input Low Current	nREF_OE, F_SELA0, FSELA2	$V_{DD} = 3.465V, V_{IN} = 0V$	-150		$\mu A$
		F_SELB[2:0], SLEW0, SLEW1, F_SELA1, MR/nOE, REF_IN, REF_SEL	$V_{DD} = 3.465V, V_{IN} = 0V$	-10		$\mu A$
$V_{OH}$	Output High Voltage; NOTE 1, 2	$V_{DDO\_X} = 3.3V \pm 5\%$	2.45			V
		$V_{DDO\_X} = 2.5V \pm 5\%$	1.75			V
$V_{OL}$	Output Low Voltage; NOTE 1, 2	$V_{DDO\_X} = 3.3V \pm 5\%$			0.85	V
		$V_{DDO\_X} = 2.5V \pm 5\%$			0.65	V

NOTE:  $V_{DDO\_X}$  denotes  $V_{DDO\_A}, V_{DDO\_B}, V_{DDO\_REF}$ .

NOTE 1: Outputs terminated with  $50\Omega$  to  $V_{DDO\_A}, _B, _REF}/2$ . See Parameter Measurement Information, *Output Load Test Circuit diagram*.

NOTE 2: Characterized with QA[1:0], QB[1:0] = 33.33MHz and REF\_OUT = 25MHz.

**Table 5. Crystal Characteristics**

Parameter	Test Conditions	Minimum	Typical	Maximum	Units
Mode of Oscillation		Fundamental			
Frequency			25		MHz
Equivalent Series Resistance (ESR)				50	$\Omega$
Shunt Capacitance				7	pF

NOTE: Characterized using an 18pF parallel resonant crystal.

## AC Electrical Characteristics

**Table 6A. AC Characteristics,  $V_{DD} = V_{DDO\_REF} = V_{DDO\_A} = V_{DDO\_B} = 3.3V \pm 5\%$ ,  $T_A = -40^{\circ}C$  to  $85^{\circ}C$**

Symbol	Parameter		Test Conditions	Minimum	Typical	Maximum	Units
$f_{OUT}$	Output Frequency	QA[1:0]		33.33		166.67	MHz
		QB[1:0]		33.33		166.67	MHz
$t_{sk(o)}$	Output Skew; NOTE 1, 2	QA[1:0] or QB[1:0]	$f_{OUT} \leq 125MHz$ , 25MHz Crystal Input			180	ps
$t_{sk(b)}$	Bank Skew; NOTE 2, 3	QA[1:0] or QB[1:0]	SLEW[1:0] = 00			35	ps
$t_{jit(per)}$	Period Jitter, RMS; NOTE 4		$f_{OUT} = 125MHz$ , SLEW[1:0] = 00		3.4		ps
			$f_{OUT} = 125MHz$ , SLEW[1:0] = 01		3.4		ps
			$f_{OUT} = 125MHz$ , SLEW[1:0] = 10		3.5		ps
			$f_{OUT} = 125MHz$ , SLEW[1:0] = 11		4.6		ps
$t_{SLEW}$	Slew Rate; NOTE 5	QA[1:0] or QB[1:0]	SLEW[1:0] = 00, Rise/Fall Time: 20% to 80%		3.5	5.0	V/ns
		QA[1:0] or QB[1:0]	SLEW[1:0] = 01, Rise/Fall Time: 20% to 80%		2.6	3.8	V/ns
		QA[1:0] or QB[1:0]	SLEW[1:0] = 10, Rise/Fall Time: 20% to 80%		1.8	2.7	V/ns
		QA[1:0] or QB[1:0]	SLEW[1:0] = 11, Rise/Fall Time: 20% to 80%		1.0	1.7	V/ns
$t_L$	PLL Lock Time		SLEW[1:0] = 00			20	ms
odc	Output Duty Cycle	QA[1:0] or QB[1:0]	25MHz Crystal Input, SLEW[1:0] = 00	45		55	%

NOTE: Electrical parameters are guaranteed over the specified ambient operating temperature range, which is established when device is mounted in a test socket with maintained transverse airflow greater than 500 lpm. Device will meet specifications after thermal equilibrium has been reached under these conditions.

NOTE 1: Defined as skew between outputs at the same supply voltage and with equal load conditions. Measured at  $V_{DDO\_A, \_B, \_REF}/2$ .

NOTE 2: This parameter is defined in accordance with JEDEC Standard 65.

NOTE 3: Defined as skew within a bank of outputs at the same supply voltage and with equal load conditions.

NOTE 4: Characterized using a 25MHz Crystal input. REF\_OUT is disabled.

NOTE 5: A slew rate of 2V/ns or greater should be selected for output frequencies of 100MHz and higher.

**Table 6B. AC Characteristics,  $V_{DD} = 3.3V \pm 5\%$ ,  $V_{DDO\_REF} = V_{DDO\_A} = V_{DDO\_B} = 2.5V \pm 5\%$ ,  $T_A = -40^\circ\text{C}$  to  $85^\circ\text{C}$** 

Symbol	Parameter		Test Conditions	Minimum	Typical	Maximum	Units
$f_{OUT}$	Output Frequency	QA[1:0]		33.33		166.67	MHz
		QB[1:0]		33.33		166.67	MHz
$t_{sk(o)}$	Output Skew; NOTE 1, 2	QA[1:0] or QB[1:0]	$f_{OUT} \leq 125\text{MHz}$ , 25MHz Crystal Input			210	ps
$t_{sk(b)}$	Bank Skew; NOTE 2, 3	QA[1:0] or QB[1:0]	SLEW[1:0] = 00			45	ps
$t_{jit(per)}$	Period Jitter, RMS; NOTE 4		$f_{OUT} = 125\text{MHz}$ , SLEW[1:0] = 00		3.5		ps
			$f_{OUT} = 125\text{MHz}$ , SLEW[1:0] = 01		3.6		ps
			$f_{OUT} = 125\text{MHz}$ , SLEW[1:0] = 10		4.1		ps
			$f_{OUT} = 125\text{MHz}$ , SLEW[1:0] = 11		6.3		ps
$t_{SLEW}$	Slew Rate; NOTE 5	QA[1:0] or QB[1:0]	SLEW[1:0] = 00, Rise/Fall Time: 20% to 80%		3.0	4.5	V/ns
		QA[1:0] or QB[1:0]	SLEW[1:0] = 01, Rise/Fall Time: 20% to 80%		2.2	3.4	V/ns
		QA[1:0] or QB[1:0]	SLEW[1:0] = 10, Rise/Fall Time: 20% to 80%		1.6	2.6	V/ns
		QA[1:0] or QB[1:0]	SLEW[1:0] = 11, Rise/Fall Time: 20% to 80%		0.9	1.7	V/ns
$t_L$	PLL Lock Time		SLEW[1:0] = 00			25	ms
odc	Output Duty Cycle	QA[1:0] or QB[1:0]	25MHz Crystal Input, SLEW[1:0] = 00	45		55	%

NOTE: Electrical parameters are guaranteed over the specified ambient operating temperature range, which is established when device is mounted in a test socket with maintained transverse airflow greater than 500 lpm. Device will meet specifications after thermal equilibrium has been reached under these conditions.

NOTE 1: Defined as skew between outputs at the same supply voltage and with equal load conditions. Measured at  $V_{DDO\_A, \_B, \_REF}/2$ .

NOTE 2: This parameter is defined in accordance with JEDEC Standard 65.

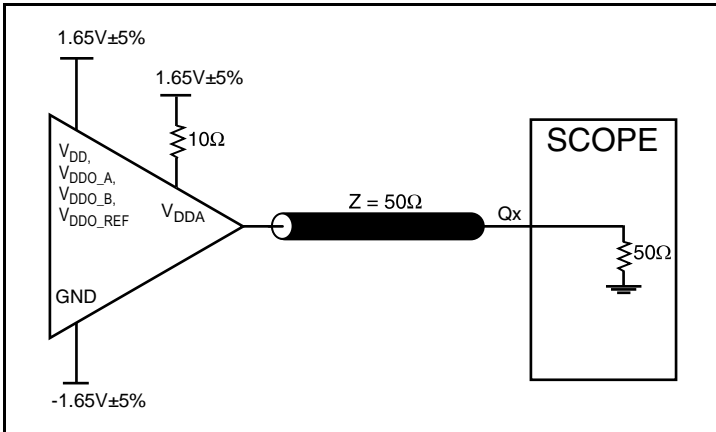
NOTE 3: Defined as skew within a bank of outputs at the same supply voltage and with equal load conditions.

NOTE 4: Characterized using a 25MHz Crystal input. REF\_OUT is disabled.

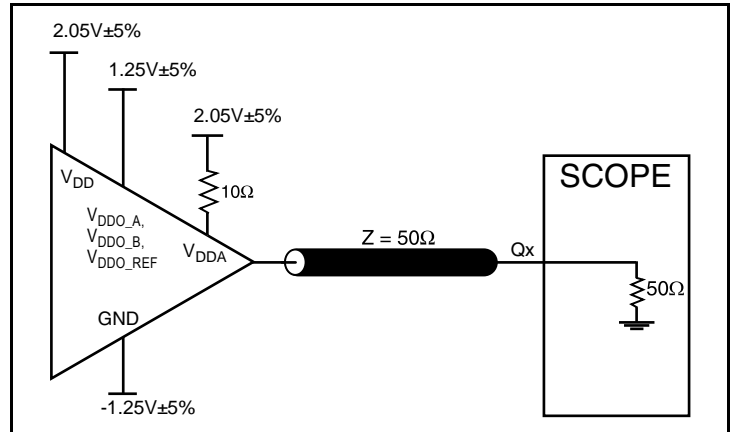
NOTE 5: A slew rate of 2V/ns or greater should be selected for output frequencies of 100MHz and higher.



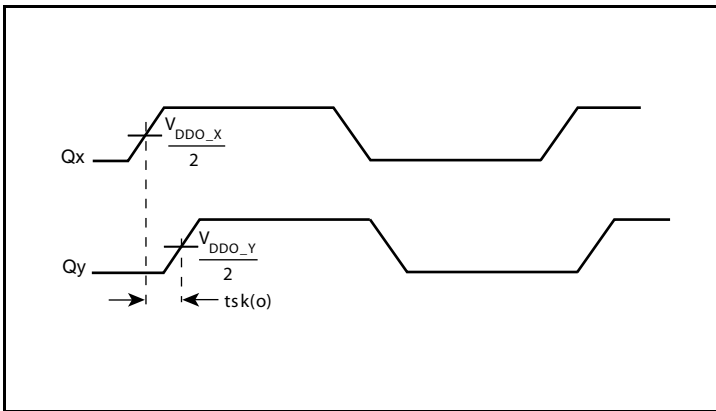
## Parameter Measurement Information



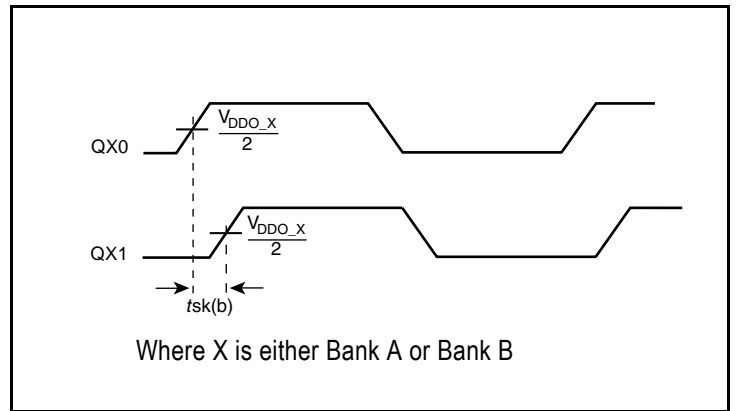
3.3V Core/3.3V LVC MOS Output Load Test Circuit



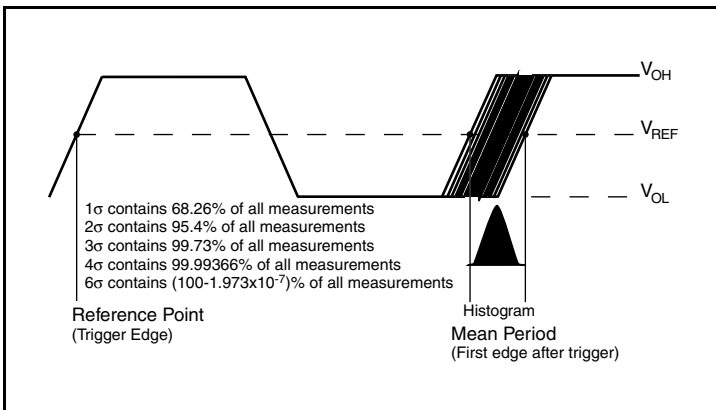
3.3V Core/2.5V LVC MOS Output Load Test Circuit



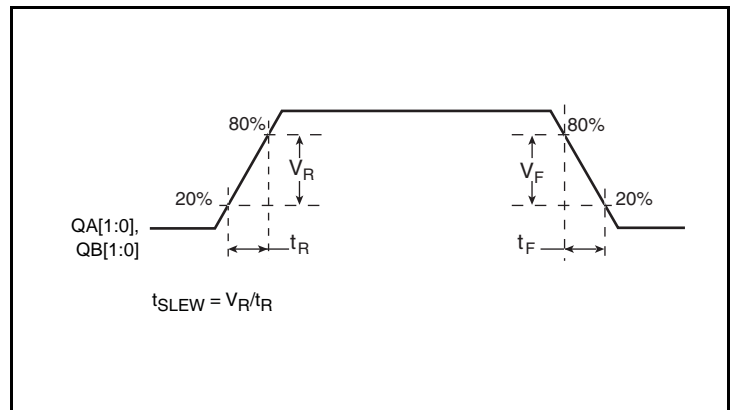
Output Skew



Bank Skew

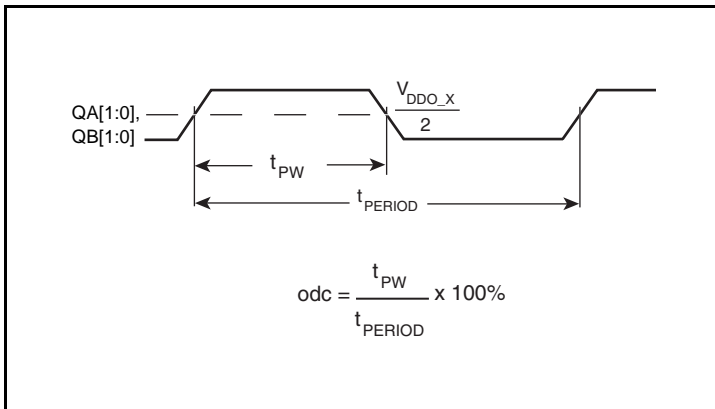


RMS Period Jitter



Output Slew Rate

## Parameter Measurement Information, continued



Output Duty Cycle/Pulse Width/Period

## Applications Information

### Recommendations for Unused Input and Output Pins

#### Inputs:

##### LVC MOS Control Pins

All control pins have internal pullups or pulldowns; additional resistance is not required but can be added for additional protection. A 1kΩ resistor can be used.

##### Crystal Inputs

For applications not requiring the use of the crystal oscillator input, both XTAL\_IN and XTAL\_OUT can be left floating. Though not required, but for additional protection, a 1kΩ resistor can be tied from XTAL\_IN to ground.

##### REF\_IN Input

For applications not requiring the use of the reference clock, it can be left floating. Though not required, but for additional protection, a 1kΩ resistor can be tied from the REF\_IN to ground.

#### Outputs:

##### LVC MOS Outputs

All unused LVC MOS outputs can be left floating. There should be no trace attached.

## Overdriving the XTAL Interface

The XTAL\_IN input can be overdriven by an LVCMOS driver or by one side of a differential driver through an AC coupling capacitor. The XTAL\_OUT pin can be left floating. The amplitude of the input signal should be between 500mV and 1.8V and the slew rate should not be less than 0.2V/ns. For 3.3V LVCMOS inputs, the amplitude must be reduced from full swing to at least half the swing in order to prevent signal interference with the power rail and to reduce internal noise. *Figure 1A* shows an example of the interface diagram for a high speed 3.3V LVCMOS driver. This configuration requires that the sum of the output impedance of the driver ( $R_o$ ) and the series resistance ( $R_s$ ) equals the transmission line impedance. In addition, matched termination at the crystal input will attenuate the signal in half. This

can be done in one of two ways. First,  $R_1$  and  $R_2$  in parallel should equal the transmission line impedance. For most 50Ω applications,  $R_1$  and  $R_2$  can be 100Ω. This can also be accomplished by removing  $R_1$  and changing  $R_2$  to 50Ω. The values of the resistors can be increased to reduce the loading for a slower and weaker LVCMOS driver. *Figure 1B* shows an example of the interface diagram for an LVPECL driver. This is a standard LVPECL termination with one side of the driver feeding the XTAL\_IN input. It is recommended that all components in the schematics be placed in the layout. Though some components might not be used, they can be utilized for debugging purposes. The datasheet specifications are characterized and guaranteed by using a quartz crystal as the input.

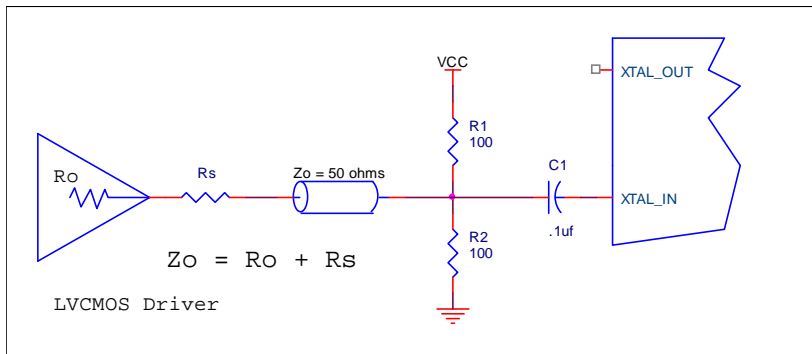


Figure 1A. General Diagram for LVCMOS Driver to XTAL Input Interface

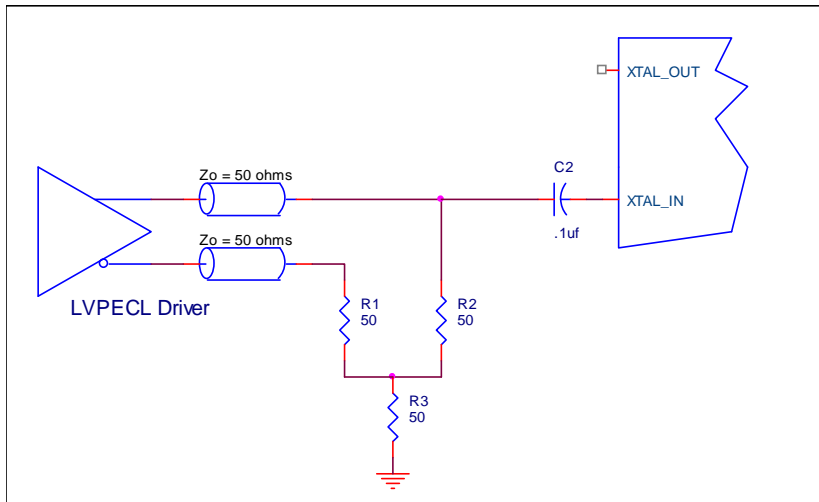


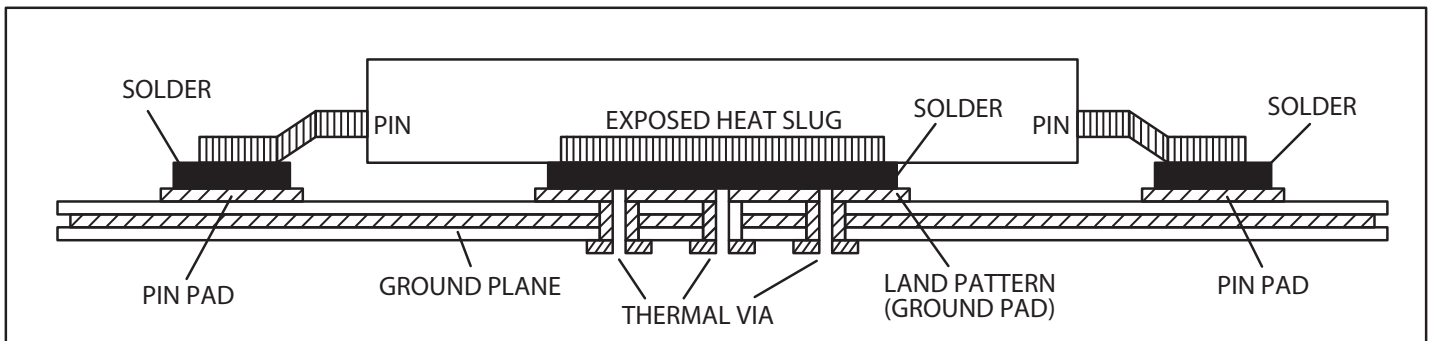
Figure 1B. General Diagram for LVPECL Driver to XTAL Input Interface

## EPAD Thermal Release Path

In order to maximize both the removal of heat from the package and the electrical performance, a land pattern must be incorporated on the Printed Circuit Board (PCB) within the footprint of the package corresponding to the exposed metal pad or exposed heat slug on the package, as shown in *Figure 2*. The solderable area on the PCB, as defined by the solder mask, should be at least the same size/shape as the exposed pad/slug area on the package to maximize the thermal/electrical performance. Sufficient clearance should be designed on the PCB between the outer edges of the land pattern and the inner edges of pad pattern for the leads to avoid any shorts.

While the land pattern on the PCB provides a means of heat transfer and electrical grounding from the package to the board through a solder joint, thermal vias are necessary to effectively conduct from the surface of the PCB to the ground plane(s). The land pattern must be connected to ground through these vias. The vias act as “heat pipes”. The number of vias (i.e. “heat pipes”) are application specific

and dependent upon the package power dissipation as well as electrical conductivity requirements. Thus, thermal and electrical analysis and/or testing are recommended to determine the minimum number needed. Maximum thermal and electrical performance is achieved when an array of vias is incorporated in the land pattern. It is recommended to use as many vias connected to ground as possible. It is also recommended that the via diameter should be 12 to 13mils (0.30 to 0.33mm) with 1oz copper via barrel plating. This is desirable to avoid any solder wicking inside the via during the soldering process which may result in voids in solder between the exposed pad/slug and the thermal land. Precautions should be taken to eliminate any solder voids between the exposed heat slug and the land pattern. Note: These recommendations are to be used as a guideline only. For further information, refer to the Application Note on the *Surface Mount Assembly* of Amkor’s Thermally/Electrically Enhance Leadframe Base Package, Amkor Technology.



**Figure 2. Assembly for Exposed Pad Thermal Release Path - Side View (drawing not to scale)**

## Schematic Layout

Figure 3 shows an example 840S05I application schematic. This schematic example focuses on functional connections and is not configuration specific. Refer to the pin description and functional tables in the datasheet to ensure that the logic control inputs are properly set.

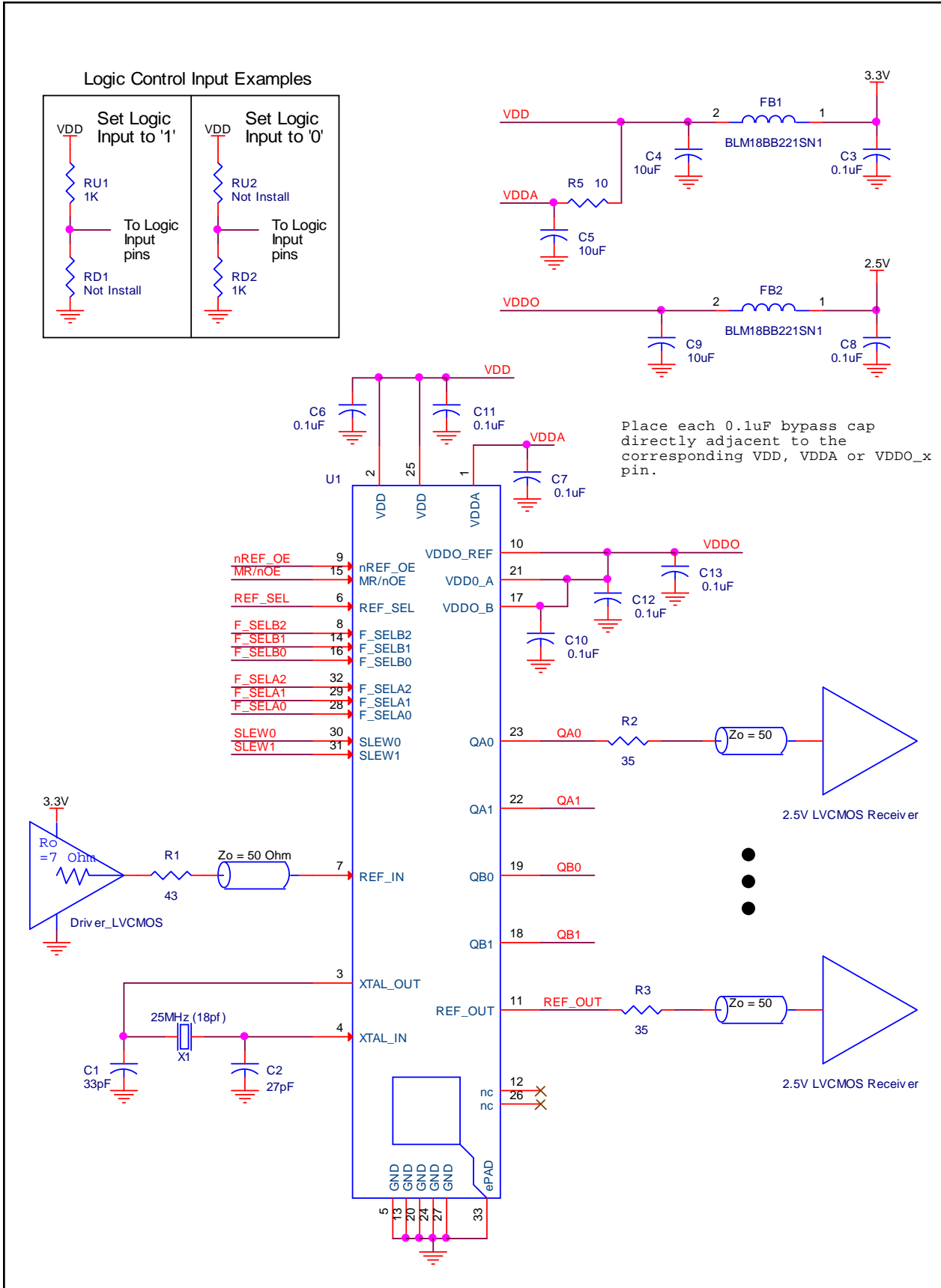
In this schematic, the device is operated at  $VDD=VDDA = 3.3V$  and  $VDDO\_A, VDDO\_B$  and  $VDDO\_REF=2.5V$ . An 18pF parallel resonant 25MHz crystal is used with the recommended load capacitors  $C1 = 33pF$  and  $C2 = 27pF$  for frequency accuracy. Depending on the parasitic capacity on the crystal terminals of the printed circuit board layout, these values might require a slight adjustment to optimize the frequency accuracy. Crystals with other load capacitance specifications can be used. This will require adjusting  $C1$  and  $C2$ . For this device, the crystal load capacitors are required for proper operation.

As with any high speed analog circuitry, the power supply pins are vulnerable to random noise. To achieve optimum jitter performance, power supply isolation is required. The 840S05I provides separate

power supply pins to isolate any high switching noise from coupling into the internal PLL.

In order to achieve the best possible filtering, it is recommended that the placement of the filter components be on the device side of the PCB as close to the power pins as possible. If space is limited, the 0.1 $\mu$ f capacitor in each power pin filter should be placed on the device side. The other components can be on the opposite side of the PCB.

Power supply filter recommendations are a general guideline to be used for reducing external noise from coupling into the devices. The filter performance is designed for a wide range of noise frequencies. This low-pass filter starts to attenuate noise at approximately 10kHz. If a specific frequency noise component is known, such as switching power supplies frequencies, it is recommended that component values be adjusted and if required, additional filtering be added. Additionally, good general design practices for power plane voltage stability suggests adding bulk capacitance in the local area of all devices.



**Figure 3. 84S051 Application Schematic**

## Power Considerations

This section provides information on power dissipation and junction temperature for the 840S051. Equations and example calculations are also provided.

### 1. Power Dissipation.

The total power dissipation for the 840S051 is the sum of the core power plus the analog power plus the power dissipation in the load(s). The following is the power dissipation for  $V_{DD} = 3.3V + 5\% = 3.465V$ , which gives worst case results.

The maximum current at 85°C is as follows:

$$I_{DD\_MAX} = 160\text{mA}$$

$$I_{DDA\_MAX} = 20\text{mA}$$

### Core Power Dissipation

- Power (core)<sub>MAX</sub> =  $V_{DD\_MAX} * (I_{DD} + I_{DDA}) = 3.465V * (160\text{mA} + 20\text{mA}) = \mathbf{623.7mW}$

### LVC MOS Output Power Dissipation

- Output Impedance  $R_{OUT}$  Power Dissipation due to Loading  $50\Omega$  to  $V_{DD}/2$   
Output Current  $I_{OUT} = V_{DD\_MAX} / [2 * (50\Omega + R_{OUT})] = 3.465V / [2 * (50\Omega + 22\Omega)] = \mathbf{24.06mA}$
- Power Dissipation on the  $R_{OUT}$  per LVC MOS output  
Power ( $R_{OUT}$ ) =  $R_{OUT} * (I_{OUT})^2 = 22\Omega * (24.06\text{mA})^2 = \mathbf{12.74mW}$  per output
- Total Power Dissipation on the  $R_{OUT}$   
**Total Power ( $R_{OUT}$ ) =  $12.74\text{mW} * 5 = \mathbf{63.7mW}$**
- Dynamic Power Dissipation at 25MHz (REF\_OUT)  
Power (25MHz) =  $C_{PD} * \text{Frequency} * (V_{DDO})^2 = 4\text{pF} * 25\text{MHz} * (3.465V)^2 = \mathbf{1.2mW}$  per output  
**Total Power (25MHz) =  $1.2\text{mW} * 1 = \mathbf{1.2mW}$**
- Dynamic Power Dissipation at 166.67MHz (QA[1:0], QB[1:0])  
Power (166.67MHz) =  $C_{PD} * \text{Frequency} * (V_{DDO})^2 = 16\text{pF} * 166.67\text{MHz} * (3.465V)^2 = \mathbf{32.02mW}$  per output  
**Total Power (166.67MHz) =  $32.02\text{mW} * 4 = \mathbf{128.08mW}$**

### Total Power Dissipation

- Total Power**  
= Power (core) + Power (output) + Total Power (25MHz) + Total Power (166.67MHz)  
=  $623.7\text{mW} + 63.7\text{mW} + 1.2\text{mW} + 128.08\text{mW}$   
= **816.68mW**

## 2. Junction Temperature.

Junction temperature,  $T_j$ , is the temperature at the junction of the bond wire and bond pad, and directly affects the reliability of the device. The maximum recommended junction temperature is 125°C. Limiting the internal transistor junction temperature,  $T_j$ , to 125°C ensures that the bond wire and bond pad temperature remains below 125°C.

The equation for  $T_j$  is as follows:  $T_j = \theta_{JA} * Pd\_total + T_A$

$T_j$  = Junction Temperature

$\theta_{JA}$  = Junction-to-Ambient Thermal Resistance

$Pd\_total$  = Total Device Power Dissipation (example calculation is in section 1 above)

$T_A$  = Ambient Temperature

In order to calculate junction temperature, the appropriate junction-to-ambient thermal resistance  $\theta_{JA}$  must be used. Assuming no air flow and a multi-layer board, the appropriate value is 36.2°C/W per Table 7 below.

Therefore,  $T_j$  for an ambient temperature of 85°C with all outputs switching is:

$$85^\circ\text{C} + 0.817\text{W} * 36.2^\circ\text{C}/\text{W} = 114.6^\circ\text{C}.$$

This is below the limit of 125°C.

This calculation is only an example.  $T_j$  will obviously vary depending on the number of loaded outputs, supply voltage, air flow and the type of board (multi-layer).

**Table 7. Thermal Resistance  $\theta_{JA}$  for 32 Lead TQFP, E-Pad, Forced Convection**

$\theta_{JA}$ by Velocity			
Meters per Second	0	1	2.5
Multi-Layer PCB, JEDEC Standard Test Boards	36.2°C/W	30.6°C/W	29.2°C/W



## Reliability Information

**Table 8.  $\theta_{JA}$  vs. Air Flow Table for a 32 Lead TQFP, E-Pad**

$\theta_{JA}$ vs. Air Flow			
Meters per Second	<b>0</b>	<b>1</b>	<b>2.5</b>
Multi-Layer PCB, JEDEC Standard Test Boards	36.2°C/W	30.6°C/W	29.2°C/W

## Transistor Count

The transistor count for 840S05I is: 2395

## Package Outline and Package Dimensions

### Package Outline - Y Suffix for 32 Lead TQFP, E-Pad

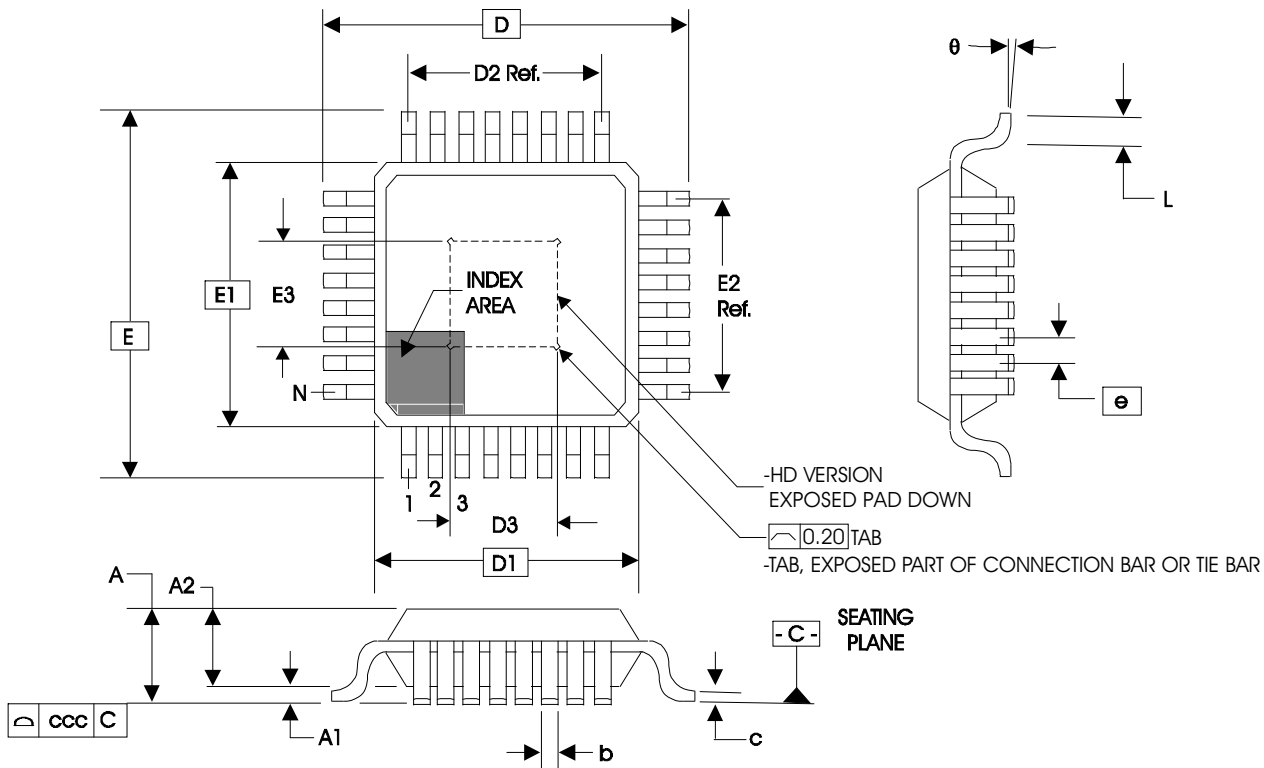


Table 9. Package Dimensions 32 Lead TQFP, E-Pad

JEDEC Variation: ABA - HD			
All Dimensions in Millimeters			
Symbol	Minimum	Nominal	Maximum
N	32		
A			1.20
A1	0.05	0.10	0.15
A2	0.95	1.00	1.05
b	0.30	0.35	0.40
c	0.09		0.20
D, E	9.00 Basic		
D1, E1	7.00 Basic		
D2, E2	5.60 Ref.		
D3, E3	3.0	3.5	4.0
e	0.80 Basic		
L	0.45		0.75
θ	0°		7°
ccc			0.10

Reference Document: JEDEC Publication 95, MS-026

## Ordering Information

Table 10. Ordering Information

Part/Order Number	Marking	Package	Shipping Packaging	Temperature
840S05AYILF	840S05AIL	Lead-Free, 32 Lead TQFP, E-Pad	Tray	-40°C to 85°C
840S05AYILFT	840S05AIL	Lead-Free, 32 Lead TQFP, E-Pad	Tape & Reel	-40°C to 85°C

## Revision History

]

Revision Date	Description of Change
April 11, 2016	<ul style="list-style-type: none"><li>▪ Removed ICS from part number where needed.</li><li>▪ Updated data sheet header and footer.</li></ul>



## IMPORTANT NOTICE AND DISCLAIMER

RENESAS ELECTRONICS CORPORATION AND ITS SUBSIDIARIES (“RENESAS”) PROVIDES TECHNICAL SPECIFICATIONS AND RELIABILITY DATA (INCLUDING DATASHEETS), DESIGN RESOURCES (INCLUDING REFERENCE DESIGNS), APPLICATION OR OTHER DESIGN ADVICE, WEB TOOLS, SAFETY INFORMATION, AND OTHER RESOURCES “AS IS” AND WITH ALL FAULTS, AND DISCLAIMS ALL WARRANTIES, EXPRESS OR IMPLIED, INCLUDING, WITHOUT LIMITATION, ANY IMPLIED WARRANTIES OF MERCHANTABILITY, FITNESS FOR A PARTICULAR PURPOSE, OR NON-INFRINGEMENT OF THIRD-PARTY INTELLECTUAL PROPERTY RIGHTS.

These resources are intended for developers who are designing with Renesas products. You are solely responsible for (1) selecting the appropriate products for your application, (2) designing, validating, and testing your application, and (3) ensuring your application meets applicable standards, and any other safety, security, or other requirements. These resources are subject to change without notice. Renesas grants you permission to use these resources only to develop an application that uses Renesas products. Other reproduction or use of these resources is strictly prohibited. No license is granted to any other Renesas intellectual property or to any third-party intellectual property. Renesas disclaims responsibility for, and you will fully indemnify Renesas and its representatives against, any claims, damages, costs, losses, or liabilities arising from your use of these resources. Renesas' products are provided only subject to Renesas' Terms and Conditions of Sale or other applicable terms agreed to in writing. No use of any Renesas resources expands or otherwise alters any applicable warranties or warranty disclaimers for these products.

(Disclaimer Rev.1.01 Jan 2024)

### Corporate Headquarters

TOYOSU FORESIA, 3-2-24 Toyosu,  
Koto-ku, Tokyo 135-0061, Japan  
[www.renesas.com](http://www.renesas.com)

### Trademarks

Renesas and the Renesas logo are trademarks of Renesas Electronics Corporation. All trademarks and registered trademarks are the property of their respective owners.

### Contact Information

For further information on a product, technology, the most up-to-date version of a document, or your nearest sales office, please visit [www.renesas.com/contact-us/](http://www.renesas.com/contact-us/).