

RENESAS TECHNICAL UPDATE

1753, Shimonumabe, Nakahara-ku, Kawasaki-shi, Kanagawa 211-8668 Japan
Renesas Electronics Corporation

Product Category	MPU/MCU	Document No.	TN-V85-A004A/E	Rev.	1.00
Title	Correction for Incorrect Description Notice V850ES/JG3 Description in the Hardware User's manual Rev.3.00		Information Category	Technical Notification	
Applicable Product	V850ES/JG3 μ PD70F3739, μ PD70F3740, μ PD70F3741, μ PD70F3742	Lot No.	Reference Document	V850ES/JG3 User's Manual: Hardware Rev.3.00 (R01UH0015EJ0300)	
		All lot			

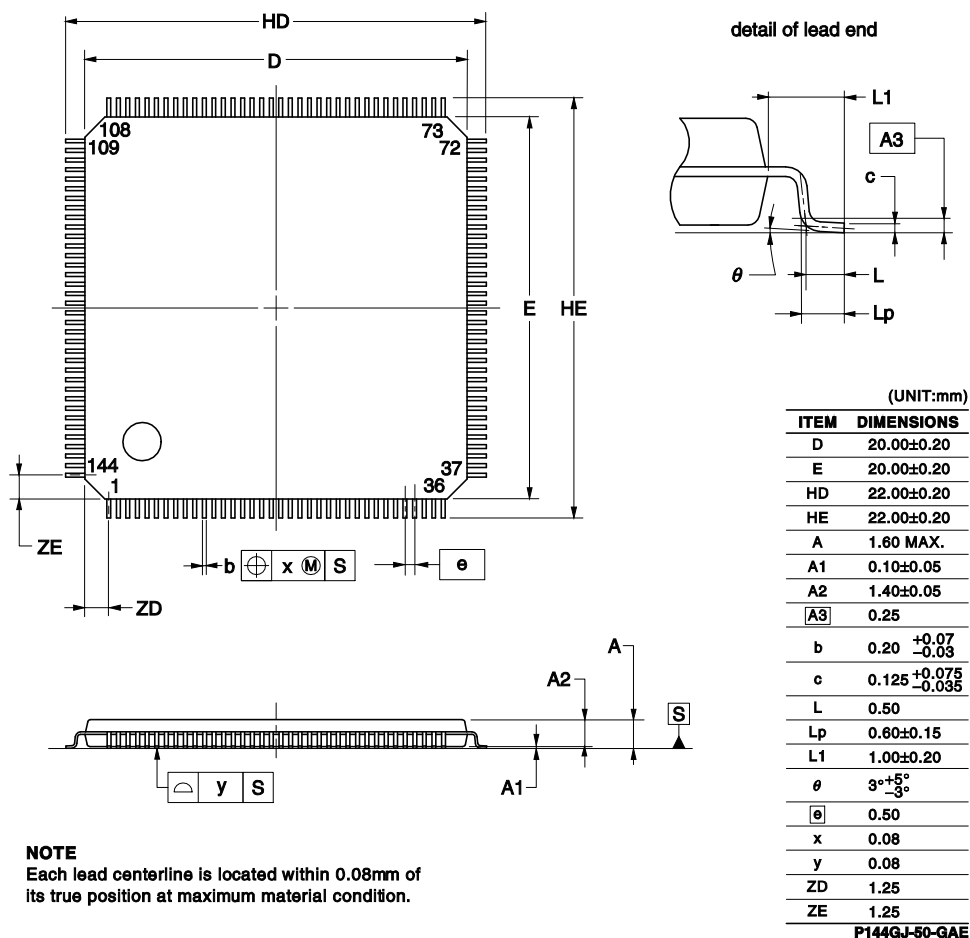
This document describes misstatements found in the V850ES/JG3 hardware user's manual Rev. 3.00(R01UH0015EJ0300).

No. 1

Location: CHAPTER 30 PACKAGE DRAWING

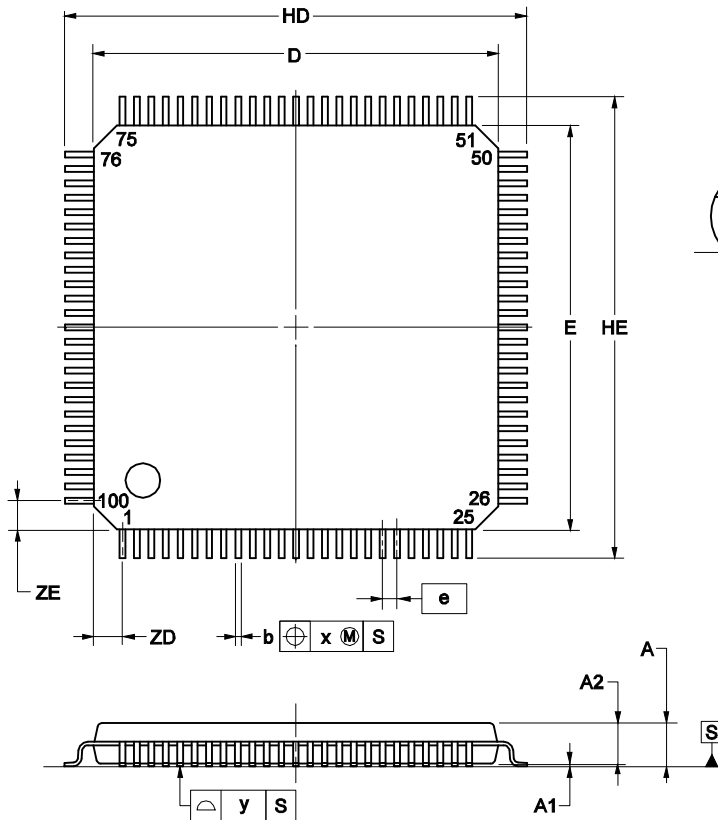
Incorrect:

144-PIN PLASTIC LQFP (FINE PITCH) (20x20)

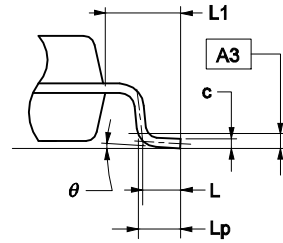


Ô [!! ^ & d Á Á

100-PIN PLASTIC LQFP (FINE PITCH) (14x14)



detail of lead end



(UNIT:mm)

ITEM	DIMENSIONS
D	14.00±0.20□
E	14.00±0.20□
HD	16.00±0.20□
HE	16.00±0.20□
A	1.60 MAX.□
A1	0.10±0.05□
A2	1.40±0.05
A3	0.25
b	0.20 ^{+0.07} / _{-0.03}
c	0.125 ^{+0.075} / _{-0.035}
L	0.50
Lp	0.60±0.15
L1	1.00±0.20
θ	3° ^{+5°} / _{-3°}
e	0.50
x	0.08□
y	0.08□
ZD	1.00
ZE	1.00

NOTE
Each lead centerline is located within 0.08mm of its true position at maximum material condition.

P100GC-50-UEU

Á

Á