

To our customers,

Old Company Name in Catalogs and Other Documents

On April 1st, 2010, NEC Electronics Corporation merged with Renesas Technology Corporation, and Renesas Electronics Corporation took over all the business of both companies. Therefore, although the old company name remains in this document, it is a valid Renesas Electronics document. We appreciate your understanding.

Renesas Electronics website: <http://www.renesas.com>

April 1st, 2010
Renesas Electronics Corporation

Issued by: Renesas Electronics Corporation (<http://www.renesas.com>)

Send any inquiries to <http://www.renesas.com/inquiry>.

RENESAS TECHNICAL UPDATE

Contact: Nippon Bldg., 2-6-2, Ohte-machi, Chiyoda-ku, Tokyo 100-0004,
Japan
Renesas Technology Corp.

Product Category	Package	Document No.	TN-WRP-A006A/E	Rev.	1.00
Title	Change of reel diameter of embossed carrier tape (330 mmφ reel to 254 mmφ reel)		Information Category	Packing change	
Applicable Product	SOC/Microcomputer	Lot No.	Reference Document	Material 1: Supplementary items before and after improvement	
				Material 2: List of applicable models	

1. Purpose

To simplify the work some of our products were shipped using reels with the diameter of 300 mm for both 1,000 and 2,000 pieces.

For 1,000 products per reel, the shipment was made with approximately 1,000 empty pockets of embossed carrier tape wound onto the reel core to prevent deformation of the reel.

However, with increasing awareness of environment, a better method without the use of empty pockets has been increasingly requested by customers. We have, therefore, improved the packaging style for the shipment of 1,000 pieces per reel.

2. Changes

- 1) Reduction of unnecessary empty pockets (approx. 1,000 pockets)
- 2) The 330 mm reel has been changed to a 254 mm reel (for 1,000 pcs.)
- 3) By changing the reel, we have reduced the volume by approximately 40% of both moisture-proof bags and the inner and outer packages. (Refer to the attached Material 1.)

3. Time of implementation

The change will occur sequentially from April 1, 2007 after confirming that the customers understand this change. However, there is a possibility that 330φ and 254φ reels will be temporarily mixed. Please understand that the change may occur slightly earlier or later than we originally intend.

4. Applicable parts number

For the relevant models, please refer to the attached "List of applicable models".

5. Others

Please note that references to embossed tape in our previous "Collateral Circumstance" are now replaced by this notice.

If you need to revise the present agreed delivery specifications, please contact us.

<Current> Collateral Circumstance

Packing form

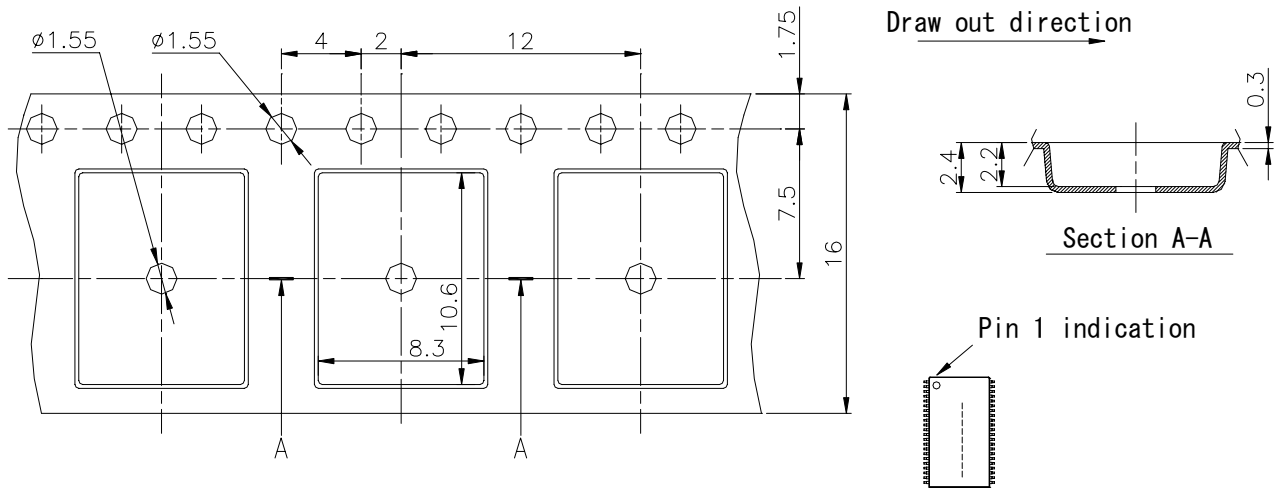
1. Package Name 14P2N-A, 16P2N-A, 20P2Q-A, 24P2Q-A

2. Packing Unit and Indication

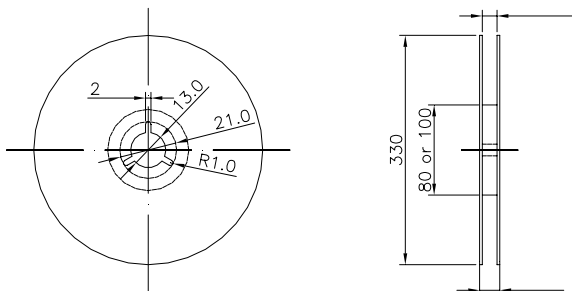
Division	Packing Material	Packing Unit	Indication
Individual Packing	Embossed Carrier Tape No. MTE1612G-14P2N	1000 pcs./Reel	Type No. Quantity Lot No. Date
Inner Packing	Desiccant Humidity Indicator Aluminum Laminated Bag L201-01 Inner Packing Box	1Reel + Desiccant + Humidity Indicator + Storage Bag / Inner Packing Box	Type No. Quantity Lot No. Date
Outer Packing	L202-01A Outer Packing Box	6 Inner Packing Box / Outer Packing Box * =6000 pcs. / Outer Packing Box	Type No. Quantity Lot No. Date

* The maximum value of the inner packing box in the outer packing box is shown. There are cases that the quantity of inner packing boxes is less than 6.

3. Tape-Dimensions



4. Reel-dimensions



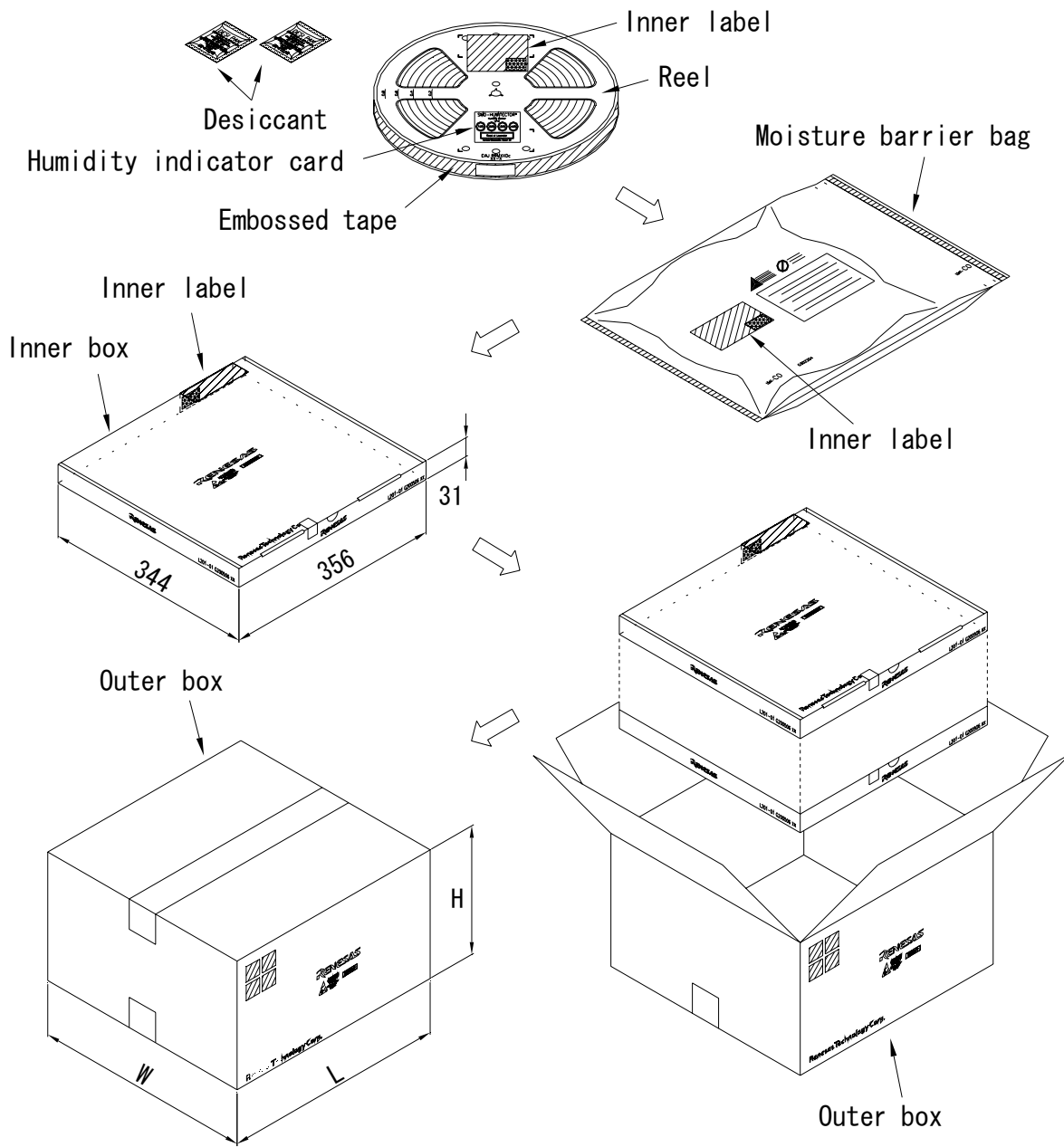
5. Others

Our embossed carrier tape and reel
Are governed by the standards of
IEC60286-3, EIA-481-2-A and JIS C 0806-3.
Our reel are governed by the standards of
EIAJ ET-7200.

Packing form and materials are subject to change without notice for the purpose of improved quality, of saving resources and environmental protection.

DWG.	(日付)	(氏名)	CHK.	(日付)	(氏名)	APP.	(日付)	(氏名)	
Renesas Technology Corp.			Doc. No.	(個別納入仕様書番号)			Rev.	(Rev)	Page /

< Current >



Dimension of outer boxes* Unit:mm

Number of inner box in outer box	L	W	H
4 boxes	367	360	141
6 boxes	367	360	212

* Outer box will be selected from above table corresponding to the shipment amount.
 Dimensions of boxes in this figure are outline sizes.
 Your kindest understanding would be very much appreciated.

DWG.	(日付)	(氏名)	CHK.	(日付)	(氏名)	APP.	(日付)	(氏名)	
Renesas Technology Corp.			Doc. No.	(個別納入仕様書番号)			Rev.	(Rev)	Page /

<New> Collateral Circumstance

Packing form

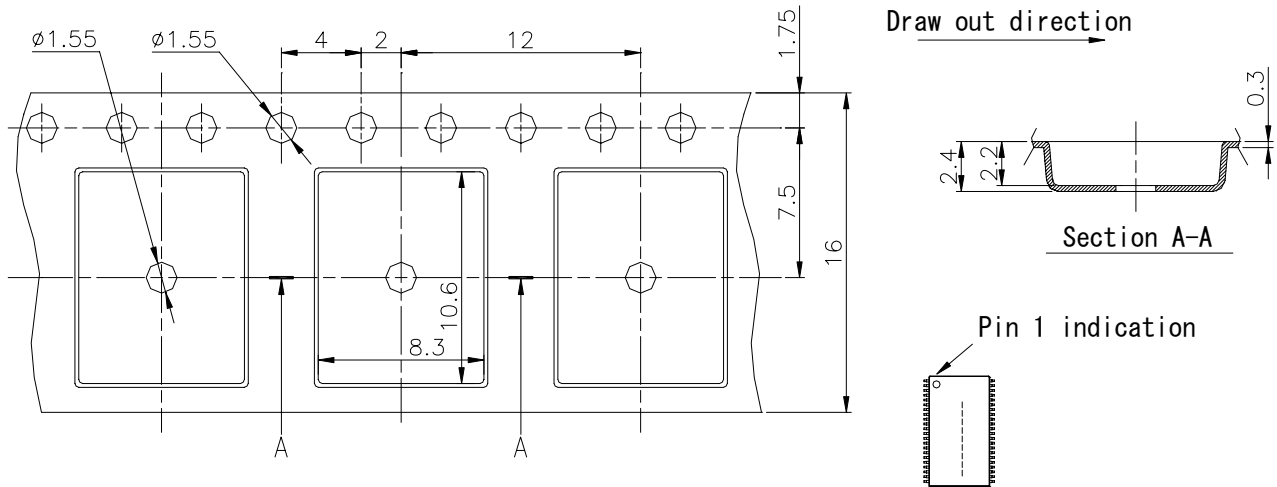
1. Package Name 14P2N-A, 16P2N-A, 20P2Q-A, 24P2Q-A

2. Packing Unit and Indication

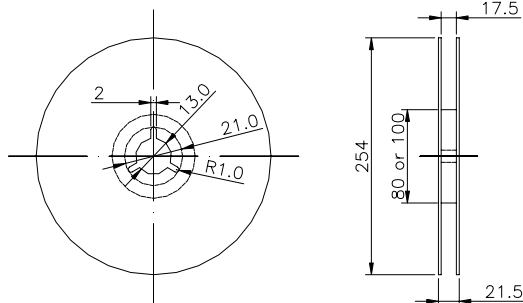
Division	Packing Material	Packing Unit	Indication
Individual Packing	Embossed Carrier Tape No. MTE1612G-14P2N	1000 pcs./Reel	Type No. Quantity Lot No. Date
Inner Packing	Desiccant Humidity Indicator Aluminum Laminated Bag Inner Packing Box	1Reel + Desiccant + Humidity Indicator + Storage Bag / Inner Packing Box	Type No. Quantity Lot No. Date
Outer Packing	Outer Packing Box	5Inner Packing Box / Outer Packing Box * =5000 pcs. / Outer Packing Box	Type No. Quantity Lot No. Date

* The maximum value of the inner packing box in the outer packing box is shown. There are cases that the quantity of inner packing boxes is less than 4.

3. Tape-Dimensions



4. Reel-dimensions



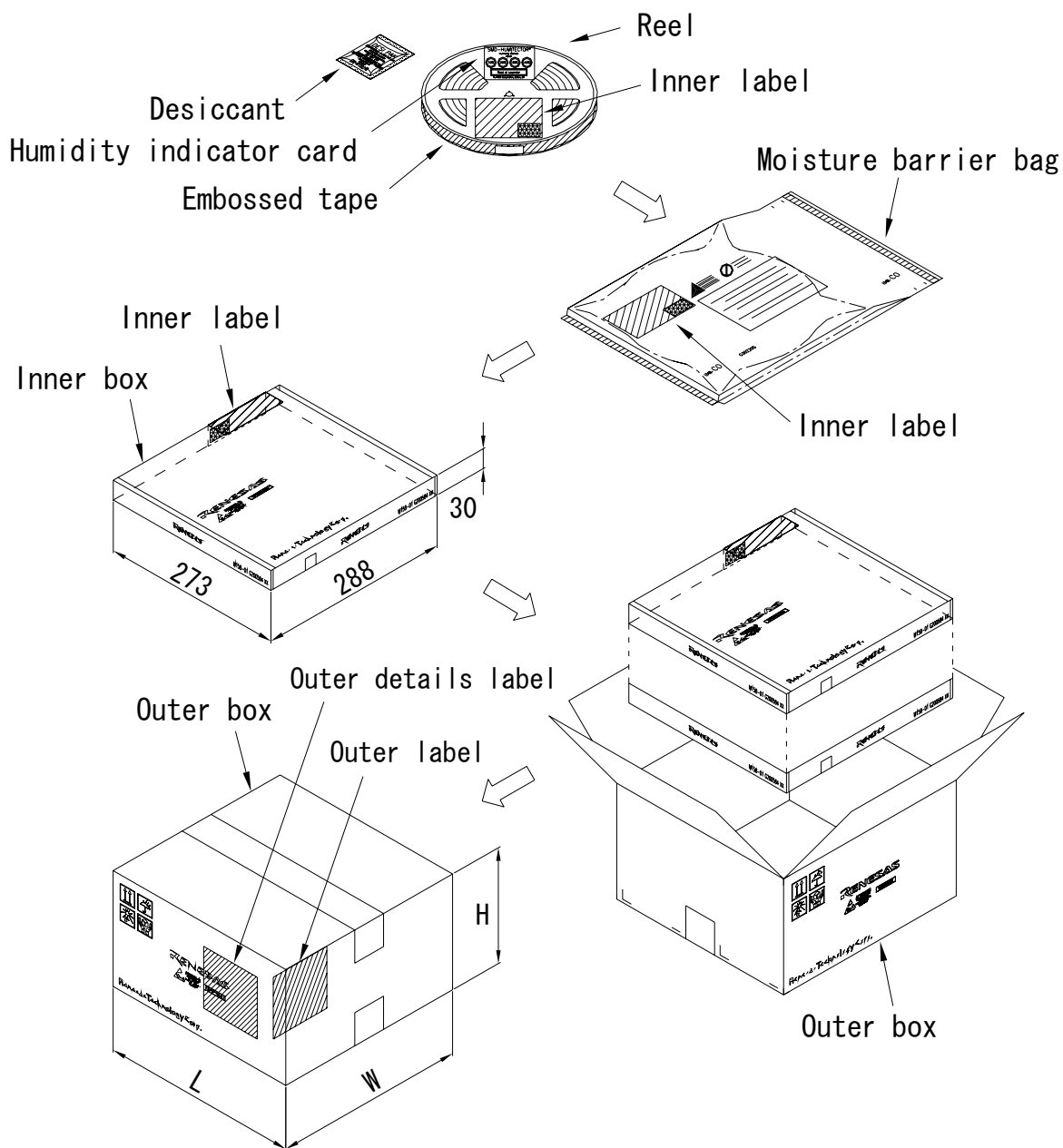
5. Others

Our embossed carrier tape and reel are governed by the standards of IEC60286-3, EIA-481-2-A and JIS C 0806-3. Our reel are governed by the standards EIAJ ET-7200

Packing form and materials are subject to change without notice for the purpose of improved quality, of saving resources and environmental protection.

DWG.	(日付)	(氏名)	CHK.	(日付)	(氏名)	APP.	(日付)	(氏名)
Renesas Technology Corp.			Doc. No.	(個別納入仕様書番号)			Rev.	(Rev) Page /

<New>



Dimension of outer boxes* Unit:mm

Number of inner box in outer box	L	W	H
5 boxes	299	289	175

* Outer box will be selected from above table corresponding to the shipment amount.
 Dimensions of boxes in this figure are outline sizes.
 Your kindest understanding would be very much appreciated.

DWG.	(日付)	(氏名)	CHK.	(日付)	(氏名)	APP.	(日付)	(氏名)
Renesas Technology Corp.			Doc. No.	(個別納入仕様書番号)		Rev.	(Rev)	Page /

SPP	SP Device No.	int-CD	Start Date	Section
0219	M35017-001FP	T4	2006/12/21	MC5.5
0219	M35017-070FP	T4	2006/12/21	MC5.5
0219	M35017-100FP	T4	2006/12/21	MC5.5
0219	M35017-101FP	T4	2006/12/21	MC5.5
0219	M35017-102FP	T4	2006/12/21	MC5.5
0219	M35017-XXXFP	T4	2006/12/12	MC5.5
0219	M35040-001FP	T4	2003/4/1	MC5.5
0219	M35040-053FP	T4	2002/7/13	MC5.5
0219	M35040-054FP	T4	2002/7/13	MC5.5
0219	M35040-055FP	T4	2003/4/1	MC5.5
0219	M35040-056FP	T4	2003/4/1	MC5.5
0219	M35040-057FP	T4	2003/4/1	MC5.5
0219	M35040-058FP	T4	2003/4/1	MC5.5
0219	M35040-060FP	T4	2003/4/1	MC5.5
0219	M35040-061FP	T4	2002/7/13	MC5.5
0219	M35040-064FP	T4	2003/4/1	MC5.5
0219	M35040-065FP	T4	2003/4/1	MC5.5
0219	M35040-066FP	T4	2003/4/1	MC5.5
0219	M35040-070FP	T4	2002/7/13	MC5.5
0219	M35040-XXXFP	T4	2003/1/6	MC5.5
0219	M35043-001FP	T4	2003/4/1	MC5.5
0219	M35043-XXXFP	T4	2003/1/15	MC5.5
0219	M35044-002FP	T4	2003/4/1	MC5.5
0219	M35044-100FP	T4	2003/4/1	MC5.5
0219	M35044-101FP	T4	2003/4/1	MC5.5
0219	M35044-XXXFP	T4	2003/1/15	MC5.5
0219	M35045-002FP	T4	2003/4/1	MC5.5
0219	M35045-076FP	T4	2003/4/1	MC5.5
0219	M35045-100FP	T4	2002/4/24	MC5.5
0219	M35045-101FP	T4	2003/4/1	MC5.5
0219	M35045-102FP	T4	2003/4/1	MC5.5
0219	M35045-XXXFP	T4	2003/1/6	MC5.5
0219	M35046-001FP	T4	2003/4/1	MC5.5
0219	M35046-050FP	T4	2002/7/15	MC5.5
0219	M35046-051FP	T4	2002/7/15	MC5.5
0219	M35046-052FP	T4	2002/7/15	MC5.5
0219	M35046-053FP	T4	2003/4/1	MC5.5
0219	M35046-055FP	T4	2003/4/1	MC5.5
0219	M35046-056FP	T4	2003/4/1	MC5.5
0219	M35046-057FP	T4	2003/4/1	MC5.5
0219	M35046-058FP	T4	2003/4/1	MC5.5
0219	M35046-059FP	T4	2003/4/1	MC5.5
0219	M35046-060FP	T4	2003/4/1	MC5.5
0219	M35046-061FP	T4	2003/4/1	MC5.5
0219	M35046-XXXFP	T4	2003/1/6	MC5.5
0219	M35047-002FP	T4	2003/5/30	MC5.5
0219	M35047-050FP	T4	2003/5/30	MC5.5
0219	M35047-051FP	T4	2003/5/30	MC5.5
0219	M35047-053FP	T4	2003/5/30	MC5.5
0219	M35047-066FP	T4	2003/5/30	MC5.5
0219	M35047-067FP	T4	2003/5/30	MC5.5
0219	M35047-068FP	T4	2003/5/30	MC5.5
0219	M35047-069FP	T4	2003/5/30	MC5.5
0219	M35047-070FP	T4	2003/5/30	MC5.5
0219	M35047-XXXFP	T4	2003/5/30	MC5.5
0219	M35048-001FP	T4	2003/4/1	MC5.5

0219	M35048-XXXFP	T4	2003/1/6	MC5.5
0219	M35049-001FP	T4	2003/4/1	MC5.5
0219	M35049-XXXFP	T4	2003/1/6	MC5.5
0219	M35052-001FP	T4	2003/4/1	MC5.5
0219	M35052-050FP	T4	2003/4/1	MC5.5
0219	M35052-051FP	T4	2003/4/1	MC5.5
0219	M35052-052FP	T4	2003/4/1	MC5.5
0219	M35052-053FP	T4	2003/4/1	MC5.5
0219	M35052-054FP	T4	2003/4/1	MC5.5
0219	M35052-055FP	T4	2003/4/1	MC5.5
0219	M35052-056FP	T4	2003/4/1	MC5.5
0219	M35052-057FP	T4	2003/2/28	MC5.5
0219	M35052-XXXFP	T4	2003/2/28	MC5.5
0219	M35053-001FP	T4	2003/4/1	MC5.5
0219	M35053-050FP	T4	2003/4/1	MC5.5
0219	M35053-051FP	T4	2003/4/1	MC5.5
0219	M35053-052FP	T4	2003/4/1	MC5.5
0219	M35053-053FP	T4	2003/4/1	MC5.5
0219	M35053-054FP	T4	2006/11/28	MC5.5
0219	M35053-055FP	T4	2003/4/1	MC5.5
0219	M35053-056FP	T4	2003/4/1	MC5.5
0219	M35053-058FP	T4	2003/4/1	MC5.5
0219	M35053-059FP	T4	2003/4/1	MC5.5
0219	M35053-XXXFP	T4	2006/11/28	MC5.5
0219	M35054-001FP	T4	2003/12/8	MC5.5
0219	M35054-001FP	W4	2003/12/8	MC5.5
0219	M35054-050FP	T4	2003/12/9	MC5.5
0219	M35054-050FP	W4	2003/12/9	MC5.5
0219	M35054-XXXFP	T4	2003/12/8	MC5.5
0219	M35054-XXXFP	W4	2003/12/8	MC5.5
0219	M35055-001FP	T4	2003/4/1	MC5.5
0219	M35055-010FP	T4	2003/4/1	MC5.5
0219	M35055-050FP	T4	2006/12/22	MC5.5
0219	M35055-050FP	W4	2006/12/22	MC5.5
0219	M35055-050FP	W40G	2006/12/22	MC5.5
0219	M35055-051FP	T4	2003/4/1	MC5.5
0219	M35055-052FP	T4	2003/4/1	MC5.5
0219	M35055-053FP	T4	2003/4/1	MC5.5
0219	M35055-054FP	T4	2003/2/28	MC5.5
0219	M35055-055FP	T4	2003/2/28	MC5.5
0219	M35055-056FP	T4	2003/2/28	MC5.5
0219	M35055-057FP	T4	2003/2/28	MC5.5
0219	M35055-058FP	T4	2003/4/1	MC5.5
0219	M35055-059FP	T4	2003/4/1	MC5.5
0219	M35055-060FP	T4	2003/2/28	MC5.5
0219	M35055-062FP	T4	2003/4/24	MC5.5
0219	M35055-064FP	T4	2006/12/22	MC5.5
0219	M35055-064FP	W4	2006/12/22	MC5.5
0219	M35055-064FP	W40G	2006/12/22	MC5.5
0219	M35055-066FP	T4	2004/1/6	MC5.5
0219	M35055-067FP	T4	2004/1/16	MC5.5
0219	M35055-068FP	T4	2006/12/22	MC5.5
0219	M35055-068FP	W4	2006/12/22	MC5.5
0219	M35055-068FP	W40G	2006/12/22	MC5.5
0219	M35055-XXXFP	T4	2006/12/14	MC5.5
0219	M35055-XXXFP	W4	2006/12/14	MC5.5
0219	M35055-XXXFP	W40G	2006/12/14	MC5.5

0219	M35070-002FP	T4	2003/4/1	MC5.5
0219	M35070-050FP	T4	2003/4/1	MC5.5
0219	M35070-051FP	T4	2000/10/19	MC5.5
0219	M35070-052FP	T4	2000/10/19	MC5.5
0219	M35070-XXXFP	T4	2003/1/6	MC5.5
0219	M35071-002FP	T4	2003/4/1	MC5.5
0219	M35071-054FP	T4	2003/4/1	MC5.5
0219	M35071-055FP	T4	2003/4/1	MC5.5
0219	M35071-057FP	T4	2003/4/1	MC5.5
0219	M35071-061FP	T4	2003/4/1	MC5.5
0219	M35071-062FP	T4	2003/4/1	MC5.5
0219	M35071-063FP	T4	2003/4/1	MC5.5
0219	M35071-064FP	T4	2003/4/1	MC5.5
0219	M35071-066FP	T4	2003/4/1	MC5.5
0219	M35071-069FP	T4	2003/4/1	MC5.5
0219	M35071-XXXFP	T4	2003/1/6	MC5.5
0219	M35072-002FP	T4	2003/4/1	MC5.5
0219	M35072-050FP	T4	2003/4/1	MC5.5
0219	M35072-051FP	T4	2003/4/1	MC5.5
0219	M35072-052FP	T4	2003/4/1	MC5.5
0219	M35072-053FP	T4	2003/4/1	MC5.5
0219	M35072-054FP	T4	2000/10/19	MC5.5
0219	M35072-055FP	T4	2003/4/1	MC5.5
0219	M35072-056FP	T4	2003/4/1	MC5.5
0219	M35072-057FP	T4	2003/4/1	MC5.5
0219	M35072-058FP	T4	2003/4/1	MC5.5
0219	M35072-059FP	T4	2003/4/1	MC5.5
0219	M35072-060FP	T4	2003/4/1	MC5.5
0219	M35072-XXXFP	T4	2003/1/6	MC5.5
0219	M35075-001FP	T4	2006/12/22	MC5.5
0219	M35075-001FP	W4	2006/12/22	MC5.5
0219	M35075-050FP	T4	2006/12/22	MC5.5
0219	M35075-050FP	W4	2006/12/22	MC5.5
0219	M35075-051FP	T4	2006/12/22	MC5.5
0219	M35075-051FP	W4	2006/12/22	MC5.5
0219	M35075-052FP	T4	2006/12/22	MC5.5
0219	M35075-052FP	W4	2006/12/22	MC5.5
0219	M35075-053FP	T4	2006/12/22	MC5.5
0219	M35075-053FP	W4	2006/12/22	MC5.5
0219	M35075-054FP	T4	2006/12/22	MC5.5
0219	M35075-054FP	W4	2006/12/22	MC5.5
0219	M35075-055FP	T4	2006/12/22	MC5.5
0219	M35075-055FP	W4	2006/12/22	MC5.5
0219	M35075-056FP	T4	2006/12/22	MC5.5
0219	M35075-056FP	W4	2006/12/22	MC5.5
0219	M35075-057FP	T4	2006/12/22	MC5.5
0219	M35075-057FP	W4	2006/12/22	MC5.5
0219	M35075-058FP	T4	2006/12/22	MC5.5
0219	M35075-058FP	W4	2006/12/22	MC5.5
0219	M35075-059FP	T4	2006/12/22	MC5.5
0219	M35075-059FP	W4	2006/12/22	MC5.5
0219	M35075-060FP	T4	2006/12/22	MC5.5
0219	M35075-060FP	W4	2006/12/22	MC5.5
0219	M35075-061FP	T4	2006/12/22	MC5.5
0219	M35075-061FP	W4	2006/12/22	MC5.5
0219	M35075-062FP	T4	2006/12/22	MC5.5
0219	M35075-062FP	W4	2006/12/22	MC5.5

0219	M35075-063FP	T4	2006/12/22	MC5・5
0219	M35075-063FP	W4	2006/12/22	MC5・5
0219	M35075-064FP	T4	2006/12/22	MC5・5
0219	M35075-064FP	W4	2006/12/22	MC5・5
0219	M35075-065FP	T4	2006/12/22	MC5・5
0219	M35075-065FP	W4	2006/12/22	MC5・5
0219	M35075-066FP	T4	2006/12/22	MC5・5
0219	M35075-066FP	W4	2006/12/22	MC5・5
0219	M35075-066FP	T4	2007/1/16	MC5・5
0219	M35075-067FP	W4	2007/1/16	MC5・5
0219	M35075-XXXFP	T4	2006/12/22	MC5・5
0219	M35075-XXXFP	T40G	2006/12/22	MC5・5
0219	M35075-XXXFP	W4	2006/12/22	MC5・5
0219	M35075-XXXFP	W40G	2006/12/22	MC5・5
0219	M35080FP	T4	2003/4/1	MC5・5
0219-1W	M66235FP	200D	2004/3/12	TV設1
0219-1W	M66235FP	DB0Q	2004/3/12	TV設1
0219-1W	M66236FP	200D	2004/3/12	TV設1
0219-1W	M66236FP	DB0Q	2004/3/12	TV設1