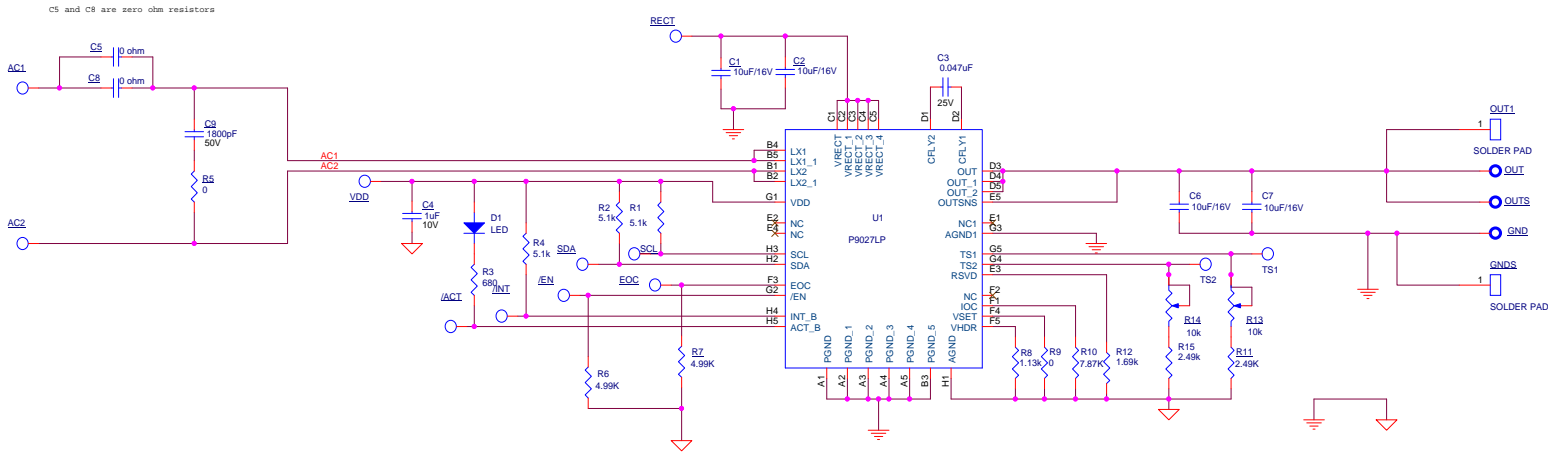


P9027LP-R Mass Market EV Schematics V1P9



Integrated Device Technology, Inc.
 IDT, INC.
 THIS DOCUMENT CONTAINS INFORMATION PROPRIETARY
 TO Integrated Device Technology, Inc. (IDT).
 USE OR DISCLOSURE WITHOUT THE
 WRITTEN PERMISSION OF AN OFFICER OF
 IDT IS EXPRESSLY FORBIDDEN

<small>THESE DRAWINGS AND SPECIFICATIONS ARE THE CONFIDENTIAL PROPERTY OF IDT AND SHALL NOT BE REPRODUCED, COPIED, OR USED AS THE BASIS FOR INDEPENDENT SALES FOR THE MANUFACTURE, DEVELOPMENT OR MARK OF APPEARANCE, PROCESS, OR PRODUCT WITHOUT PERMISSION.</small>		<small>DESIGNED BY:</small> _____	<small>DATE:</small> _____	<small>TITLE:</small> _____
<small>APPROVED:</small> _____		P9027LP-R Schematics		
<small>ISSUED BY:</small> _____		SHEET 1 OF 1		
PROPRIETARY INFORMATION	MANAGER:	TITLE BLOCK REVISION A	SCALE: NONE	