

**Application Note**

**Switch reluctance motor  
control with  $\mu$ PD78K0/KX2**

---

**The information in this document is subject to change without notice. Before using this document, please confirm that this is the latest version. Not all products and/or types are available in every country. Please check with an NEC Electronics sales representative for availability and additional information.**

---

## Legal Notes

- **The information contained in this document is being issued in advance of the production cycle for the product. The parameters for the product may change before final production or NEC Electronics Corporation, at its own discretion, may withdraw the product prior to its production.**
- No part of this document may be copied or reproduced in any form or by any means without the prior written consent of NEC Electronics. NEC Electronics assumes no responsibility for any errors that may appear in this document.
- NEC Electronics does not assume any liability for infringement of patents, copyrights or other intellectual property rights of third parties by or arising from the use of NEC Electronics products listed in this document or any other liability arising from the use of such products. No license, express, implied or otherwise, is granted under any patents, copyrights or other intellectual property rights of NEC Electronics or others.
- Descriptions of circuits, software and other related information in this document are provided for illustrative purposes in semiconductor product operation and application examples. The incorporation of these circuits, software and information in the design of a customer's equipment shall be done under the full responsibility of the customer. NEC Electronics assumes no responsibility for any losses incurred by customers or third parties arising from the use of these circuits, software and information.
- While NEC Electronics endeavors to enhance the quality, reliability and safety of NEC Electronics products, customers agree and acknowledge that the possibility of defects thereof cannot be eliminated entirely. To minimize risks of damage to property or injury (including death) to persons arising from defects in NEC Electronics products, customers must incorporate sufficient safety measures in their design, such as redundancy, fire-containment and anti-failure features.
- NEC Electronics products are classified into the following three quality grades: "Standard", "Special", and "Specific". The "Specific" quality grade applies only to NEC Electronics products developed based on a customer-designated "quality assurance program" for a specific application. The recommended applications of an NEC Electronics product depend on its quality grade, as indicated below. Customers must check the quality grade of each NEC Electronics products before using it in a particular application.
  - "Standard": Computers, office equipment, communications equipment, test and measurement equipment, audio and visual equipment, home electronic appliances, machine tools, personal electronic equipment and industrial robots.
  - "Special": Transportation equipment (automobiles, trains, ships, etc.), traffic control systems, anti-disaster systems, anti-crime systems, safety equipment and medical equipment (not specifically designed for life support).
  - "Specific": Aircraft, aerospace equipment, submersible repeaters, nuclear reactor control systems, life support systems and medical equipment for life support, etc.

---

The quality grade of NEC Electronics products is "Standard" unless otherwise expressly specified in NEC Electronics data sheets or data books, etc. If customers wish to use NEC Electronics products in applications not intended by NEC Electronics, they must contact an NEC Electronics sales representative in advance to determine NEC Electronics' willingness to support a given application.

(Note)

(1) "NEC Electronics" as used in this statement means NEC Electronics Corporation and also includes its majority-owned subsidiaries.

(2) "NEC Electronics products" means any product developed or manufactured by or for NEC Electronics (as defined above).

---

## Regional Information

Some information contained in this document may vary from country to country. Before using any NEC product in your application, please contact the NEC office in your country to obtain a list of authorized representatives and distributors. They will verify:

- Device availability
- Ordering information
- Product release schedule
- Availability of related technical literature
- Development environment specifications (for example, specifications for third-party tools and components, host computers, power plugs, AC supply voltages, and so forth)
- Network requirements

In addition, trademarks, registered trademarks, export restrictions, and other legal issues may also vary from country to country.

### NEC Electronics Corporation

1753, Shimonumabe, Nakahara-ku,  
Kawasaki, Kanagawa 211-8668, Japan  
Tel: 044 4355111  
<http://www.necel.com/>

#### [America]

**NEC Electronics America, Inc.**  
2880 Scott Blvd.  
Santa Clara, CA 95050-2554,  
U.S.A.  
Tel: 408 5886000  
<http://www.am.necel.com/>

#### [Europe]

**NEC Electronics (Europe) GmbH**  
Arcadiastrasse 10  
40472 Düsseldorf, Germany  
Tel: 0211 65030  
<http://www.eu.necel.com/>

#### United Kingdom Branch

Cygnus House, Sunrise Parkway  
Linford Wood, Milton Keynes  
MK14 6NP, U.K.  
Tel: 01908 691133

#### Succursale Française

9, rue Paul Dautier, B.P. 52  
78142 Velizy-Villacoublay Cédex  
France  
Tel: 01 30675800

#### Sucursal en España

Juan Esplandiú, 15  
28007 Madrid, Spain  
Tel: 091 5042787

#### Tyskland Filial

Täby Centrum  
Entrance S (7th floor)  
18322 Täby, Sweden  
Tel: 08 6387200

#### Filiale Italiana

Via Fabio Filzi, 25/A  
20124 Milano, Italy  
Tel: 02 667541

#### Branch The Netherlands

Steijgerweg 6  
5616 HS Eindhoven,  
The Netherlands  
Tel: 040 2654010

#### [Asia & Oceania]

**NEC Electronics (China) Co., Ltd**  
7th Floor, Quantum Plaza, No. 27  
ZhiChunLu Haidian District,  
Beijing 100083, P.R.China  
Tel: 010 82351155  
<http://www.cn.necel.com/>

#### NEC Electronics Shanghai Ltd.

Room 2511-2512, Bank of China  
Tower,  
200 Yincheng Road Central,  
Pudong New Area,  
Shanghai 200120, P.R. China  
Tel: 021 58885400  
<http://www.cn.necel.com/>

#### NEC Electronics Hong Kong Ltd.

12/F., Cityplaza 4,  
12 Taikoo Wan Road, Hong Kong  
Tel: 2886 9318  
<http://www.hk.necel.com/>

#### NEC Electronics Taiwan Ltd.

7F, No. 363 Fu Shing North Road  
Taipei, Taiwan, R.O.C.  
Tel: 02 27192377

#### NEC Electronics Singapore Pte. Ltd.

238A Thomson Road,  
#12-08 Novena Square,  
Singapore 307684  
Tel: 6253 8311  
<http://www.sg.necel.com/>

#### NEC Electronics Korea Ltd.

11F., Samik Lavied'or Bldg., 720-2,  
Yeoksam-Dong, Kangnam-Ku, Seoul,  
135-080, Korea Tel: 02-558-3737  
<http://www.kr.necel.com/>

---

## **Preface**

This application note proposes how to implement a 4-Phase Switched Reluctance (SR) motor drive using the  $\mu$ PD78K0/KC2 along with an analogue Drive circuit.

Schematic, bill of material and board layout files are also provided.

## Table of Contents

<b>Chapter 1 Overview</b>	9
1.1 Introduction	9
1.2 Overview of $\mu$ PD78F0515D Series	9
<b>Chapter 2 Switched Reluctance Motor Basics</b>	14
2.1 Switched Reluctance Motor Basics	14
2.2 Switched Reluctance Motor Control Requirements	18
<b>Chapter 3 System Design Concept</b>	22
3.1 System Concept	22
3.2 System Configuration	23
3.2.1 Start-Up Sequence	23
3.2.2 Position and Speed Sensing	24
3.2.3 Commutation Algorithm	24
3.2.4 Current Limiter	25
3.2.5 Current Sensing	25
<b>Chapter 4 Hardware Configuration</b>	27
4.1 $\mu$ PD78K0/KC2 Configuration	27
4.2 Peripherals I/O Assignments	28
4.3 Motor Specification	29
4.4 Encoder Specification	29
4.5 SR Motor Driving Circuit and User Interface Circuit	30
<b>Chapter 5 Software Process Description</b>	32
5.1 Initialization	33
5.2 Interval Timer	33
5.3 Key Input, Potentiometer function	33
5.4 Start Sequence	34
5.5 Speed Calculation	34
5.6 PI-Regulator	34
5.7 Commutation Angle Calculation	35
5.8 Current Limiter	35
5.9 Commutation	36
5.10 LEDs	36
<b>Chapter 6 Software Flow Charts</b>	37
6.1 Concept and Main Flow Diagram	37
6.2 Peripherals Initialization	37
6.3 Main Loop	39
6.4 Commutation Calculation	40
6.5 Key Detect	41
6.6 SRM Init	42
6.7 External Index	43
6.8 TM00 interrupt	44

**6.9 Angle Change** ..... 45  
**6.10 Commutation Pattern** ..... 46  
**6.11 Speed Calculation** ..... 47  
**6.12 Get ordered Speed** ..... 48  
**6.13 PI-Regulator** ..... 49  
**6.14 Ramp Down** ..... 50



# Chapter 1 Overview

## 1.1 Introduction

Switched reluctance motors are gaining wider popularity among variable speed drives. This is due to their simple low-cost construction characterized by an absence of magnets and rotor winding, high level of performance over a wide range of speeds, and fault-tolerant power stage design. For numerous applications, availability and the moderate cost of the necessary electronic components make SR drives a viable alternative to other commonly used motors.

Purpose of this application note is to show how a SR motor control is realised on the  $\mu$ PD78K0/KC2 along with a drive circuit. The software and hardware configurations published here are just examples and are not intend for mass production.

## 1.2 Overview of $\mu$ PD78F0515D Series

Table 1-1 Functional Outline 1/2

Part number		78K0/KB2				78K0/KC2							
Item		30/36 pins				44 pins				48 pins			
Flash memory (KB)		8	16	24	32	16	24	32	16	24	32	48	60
RAM (KB)		0.5	0.75	1	1	0.75	1	1	0.75	1	1	2	3
Bank (Flash memory)		-											
Power supply voltage		V <sub>DD</sub> = 1.8 to 5.5 V											
Regulator		Provided											
Minimum instruction execution time		0.1 μs (20 MHz: V <sub>DD</sub> = 4.0 to 5.5 V) / 0.2 μs (10 MHz: V <sub>DD</sub> = 2.7 to 5.5 V) / 0.4 μs (5 MHz: V <sub>DD</sub> = 1.8 to 5.5 V)											
Clock	Main	20 MHz: V <sub>DD</sub> = 4.0 to 5.5 V / 10 MHz: V <sub>DD</sub> = 2.7 to 5.5 V / 5 MHz: V <sub>DD</sub> = 1.8 to 5.5 V											
	Int. high-speed osc.	8 MHz (TYP.): V <sub>DD</sub> = 1.8 to 5.5 V											
Subsystem		-											
		32.768 kHz (TYP.): V <sub>DD</sub> = 1.8 to 5.5 V											
Internal low-speed oscillation		240 kHz (TYP.): V <sub>DD</sub> = 1.8 to 5.5 V											
Port	Total	23				37				41			
	N-ch O.D. (6 V tolerance)	2				4				4			
Timer	16 bits (TM0)	1-ch											
	8 bits (TM5)	2-ch											
	8 bits (TMH)	2-ch											
Watch		-											
		1-ch											
WDT		1-ch											
3-wire CSI		-											
Automatic transmit/receive 3-wire CSI		-											
Serial Interface	UART/3-wire CSI <sup>Note</sup>	1-ch											
	UART supporting LIN bus	1-ch											
10-bit A/D	μC bus	1-ch				1-ch				1-ch			
		4-ch				8-ch				8-ch			

Part number		78K0/KB2	78K0/KC2
Item	30/36 pins		44 pins
	6		8
Interrupt	External		
	Internal	14	16
Key interrupt		-	4-ch
	RESET pin	Provided	
Reset	POC	1.59 V ± 0.15 V (rise time to 1.8 V: 3.6 ms (MIN.))	
	LVI	The detection level of the supply voltage is selectable in 16 steps.	
	WDT	Provided	
Clock output/buzzer output		-	Clock output only
Multiplier/divider		-	Provided
On-chip debug function		μPD78F0503D only	μPD78F0513D only
Operating ambient temperature		T <sub>A</sub> = -40 to +85°C	

**Note:** Select either of the functions of these alternate-function pins.

Table 1-2 Functional Outline 2/2

Item	Part number	78K0/KD2						78K0/KE2						78K0/KF2					
		52 pins						64 pins						80 pins					
Flash memory (KB)		16	24	32	48	60	96	128	16	24	32	48	60	96	128	48	60	96	128
RAM (KB)		0.75	1	1	2	3	5	7	0.75	1	1	2	3	5	7	2	3	5	7
Bank (Flash memory)		-	-	-	-	-	4	6	-	-	-	-	-	4	6	-	-	4	6
Power supply voltage		V <sub>DD</sub> = 1.8 to 5.5 V																	
Regulator		Provided																	
Minimum instruction execution time		0.1 μs (20 MHz: V <sub>DD</sub> = 4.0 to 5.5 V) / 0.2 μs (10 MHz: V <sub>DD</sub> = 2.7 to 5.5 V) / 0.4 μs (5 MHz: V <sub>DD</sub> = 1.8 to 5.5 V)																	
Clock	Main	20 MHz: V <sub>DD</sub> = 4.0 to 5.5 V / 10 MHz: V <sub>DD</sub> = 2.7 to 5.5 V / 5 MHz: V <sub>DD</sub> = 1.8 to 5.5 V																	
	Int. high-speed osc.	8 MHz (TYP.): V <sub>DD</sub> = 1.8 to 5.5 V																	
Subsystem		32.768 kHz (TYP.): V <sub>DD</sub> = 1.8 to 5.5 V																	
Internal low-speed oscillation		240 kHz (TYP.): V <sub>DD</sub> = 1.8 to 5.5 V																	
Port	Total	45						55						71					
	N-ch O.D. (6 V tolerance)	4						4						4					
Timer	16 bits (TM0)	1-ch						2-ch						2-ch					
	8 bits (TM5)	2-ch						2-ch						2-ch					
	8 bits (TMH)	1-ch						1-ch						1-ch					
Serial Interface	Watch	1-ch						1-ch						1-ch					
	WDT	1-ch						1-ch						1-ch					
	3-wire CSI	-						-						1-ch					
10-bit A/D	Automatic transmit/receive	-						-						1-ch					
	3-wire CSI	-						-						1-ch					
	UART/3-wire CSI <sup>Note</sup>	-						-						1-ch					
10-bit A/D	UART supporting LIN bus	1-ch						1-ch						1-ch					
	I <sup>2</sup> C bus	1-ch						1-ch						8-ch					

Part number		78K0/KD2	78K0/KE2	78K0/KF2
Item	External	52 pins	64 pins	80 pins
	Internal	8	9	
Key interrupt	External	16	19	20
	Internal		8-ch	
Reset	RESET pin	Provided		
	POC	1.59 V ± 0.15 V (rise time to 1.8 V: 3.6 ms (MIN.))		
	LVI	The detection level of the supply voltage is selectable in 16 steps.		
	WDT	Provided		
Clock output/buzzer output		Clock output only	Provided	
Multiplier/divider		-	Provided	Provided
On-chip debug function		μPD78F0527D only	μPD78F0537D only	μPD78F0547D only
Operating ambient temperature		T <sub>A</sub> = -40 to +85°C		

**Note:** Select either of the functions of these alternate-function pins.

# Chapter 2 Switched Reluctance Motor Basics

## 2.1 Switched Reluctance Motor Basics

A Switched Reluctance (SR) motor is an electromagnetic, rotary machine in which torque is produced by the tendency of its movable part to move to a position where the inductance of the excited winding is maximized. The SR motor has the simplest mechanical structure compared with other types of electrical machines. Both stator and rotor have salient poles, the stator winding is comprised of a set of coils, each wound on pole, the rotor is only made with steel lamination stacked onto the shaft. This is the main difference with conventional motors like DC or induction motors which have rotor windings or permanent magnets.

Various options of rotor and stator poles may be used. By increasing the number of phases the torque ripple can be reduced, but more electronic will be needed increasing the whole solution price. A compromise has to be chosen knowing that different number of rotor and stator poles and a minimum of two phases are necessary to start the motor, and three phases to choose the starting direction. This Application Note deals with a four phase regular 8/6 motor shown in *Figure 2-1*. This combination is far spread and provides lesser torque ripple.

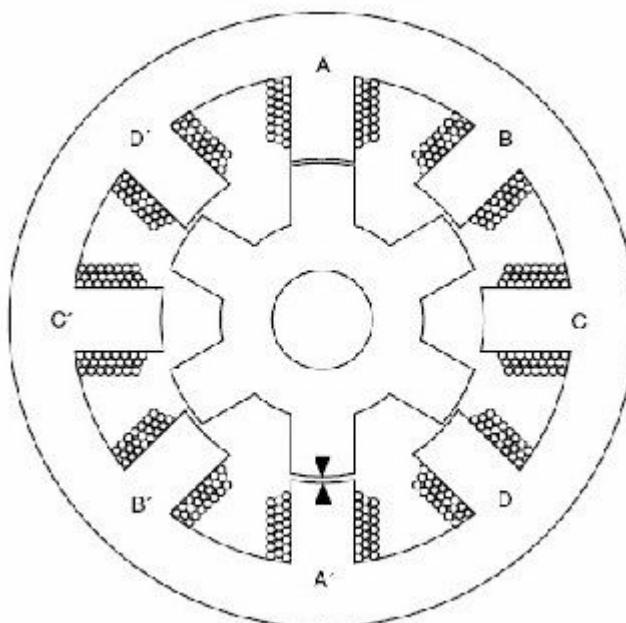


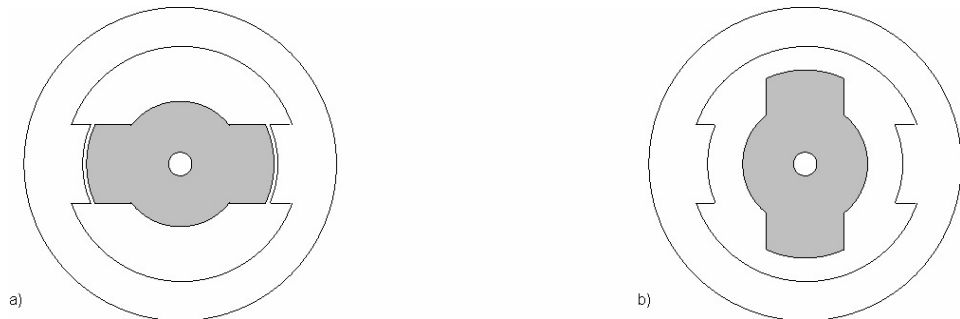
Figure 2-1 Four-phase 8/6 SR motor

The advantage of the easy build up rotor carries also some disadvantages. The reliance on a single excitation source, coupled with the effects of fringing fields and magnetic saturation, renders the switched reluctance motor nonlinear in its control characteristics.

As mentioned above the torque is produced by the rotors tendency to move to the position of least reluctance / highest inductance. The motor is excited by a sequence of current pulses applied at each phase. The individual phases are

consequently excited, forcing the motor to rotate. This way of driving is similar to the one used for stepper motors.

The basic movement of the motor can be best shown by reducing the defaults to the simplest arrangements. We look at the rotor as one pole-pair and the stator comes down to two magnetic poles with one phase.



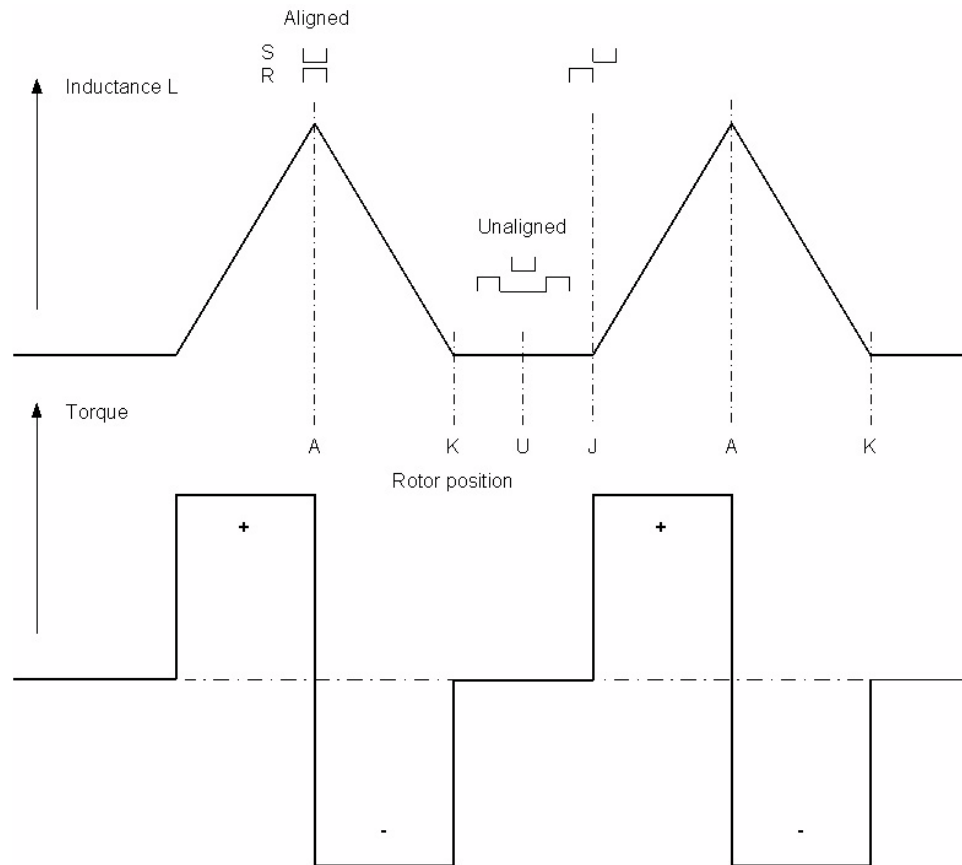
**Figure 2-2 One-phase SR motor, aligned, unaligned position**

In this simple machine the coil inductance  $L$  varies with the rotor position  $\theta$  as shown in *Figure 2-3*. Assume that the coil carries a constant current. Positive motoring torque is only produced while the inductance is increasing as the rotor approaches the aligned position between positions J and A. At J, the leading edge of the rotor pole is aligned with the first edge of the stator pole; at A, the rotor and stator poles are fully aligned *Figure 2-2 a)*. Thus J defines the start of overlap, A the maximum, and K the end of the overlap.

An important occurrence is that the torque changes direction at the aligned position. If the rotor continues past A, the attractive force between the poles produces a braking torque.

To eliminate these negative torque impulses, the constant current must be switched off during this pole separating time period.

The ideal current waveform is therefore a series of pulses synchronized with the rising inductance intervals. The cycle of torque production associated with one current pulse is called a stroke.



**Figure 2-3** Variation of inductance and torque with rotor position

Although the torque maintains a nonzero average value during a rotation, it's discontinuous and the rotation is only kept up due to the flywheel effect of the rotating inertia.

A big disadvantage is also that the motor can't self-start from every rotor position (e.g. the aligned position).

To compensate these disadvantages the motor is generally provided with additional phases which leads to more stator/rotor poles.

The number of strokes per revolution is related to the number of rotor poles  $N_R$  and the number of phases  $m$

$$S = m * N_R \quad (1)$$

The motor in *Figure 2-1* has  $m = 4$  and  $N_R = 6$ , so  $S = 24$ . The so called stroke angle or dwell angle is now  $\epsilon = 360 / 24 = 15^\circ$ . The ideal current/torque pulses of the four phases are shown in *Figure 2-3*. The resultant torque is ideally constant and covers  $360^\circ$  of rotation.



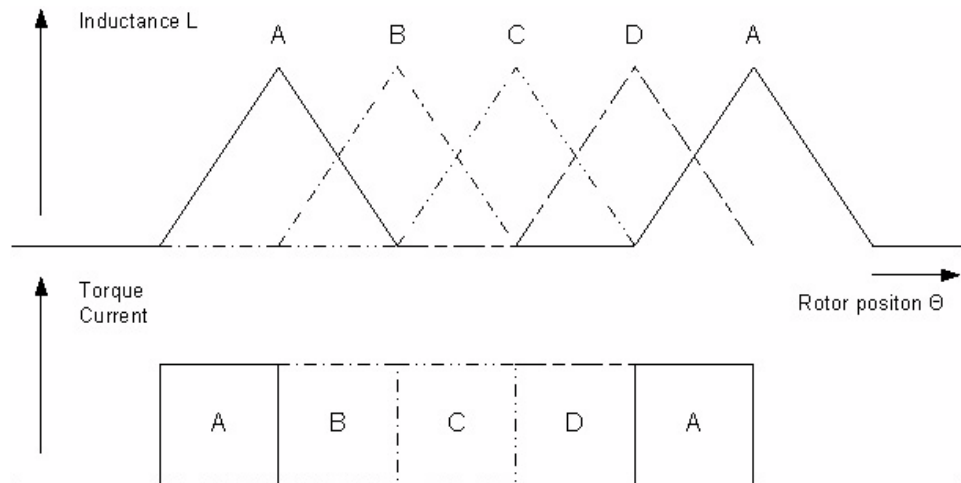


Figure 2-4 Inductance profile 8/6 SR machine

To get better understanding of motor control requirements a knowledge of the basic formulas for SR machines is required. For simplicity we ignore the effect of fringing flux around the pole corners, magnetic saturation and assume that all the flux crosses the air gap in the radial direction.

The voltage equation for one phase is

$$\begin{aligned}
 v &= R \cdot i + \frac{d\psi}{dt} = R \cdot i + \omega_m \frac{d\psi}{d\theta} \\
 &= R \cdot i + \omega_m \frac{d(Li)}{d\theta} \quad (2) \\
 &= R \cdot i + L \frac{di}{dt} + \omega_m \cdot i \frac{dL}{d\theta}
 \end{aligned}$$

where  $v$  is the voltage across one phase,  $i$  the current,  $\psi$  the flux linkage,  $R$  the phase resistance,  $L$  inductance,  $\theta$  is the rotor position, and  $\omega_m$  is the angular velocity.

Due to the pole saliency, the magnetic path is different during the rotor motion since the reluctance is minimal when stator and rotor poles are aligned and maximum when poles are not aligned. Formally, the inductance can be written as follows:

$$L(\theta) = \frac{N^2}{\mathfrak{R}(\theta)} \quad (3)$$

with  $N$  number of coils and  $\mathfrak{R}$  phase reluctance. The equation above and the reluctance profile are responsible for inductive curves. Energy and inductance considerations lead to the following definition of the motor torque expression

$$T_e = \frac{1}{2} i^2 \cdot \frac{dL}{d\theta} \quad (4)$$

The equation above says that the torque does not depend on the direction of the current. In order to obtain positive torque the phase coil needs, as already mentioned, current only during the rising edge of the inductance profile.

The synchronization of the phase polarization with the rotor poles positions is the main task of the electronic driver.

## 2.2 Switched Reluctance Motor Control Requirements

In a switch reluctance motor drive the number of motor phases, the pole geometry, the possibility for more than one phase to ensure current flow, the whole commutation concept greatly affects the drive topology.

There is a wide variety of drive circuits in use and not one topology that fits all.

Voltage supply, number of external parts, current/voltage protection, and overall flexibility are just a few aspects to consider.

This Application Note deals with the drive topology shown in *Figure 2-5*, this “multiphase-switch” configuration is build up as an asymmetric bridge. The main advantages are the low power loss, few external parts and lesser complex drive algorithm. The circuit contains six power mosfets responsible for the current flow through the windings. Each coil can be energized in one direction by turning on the appropriate mosfets. Implicitly this configuration never energizes phases A, C or B and D at the same time.

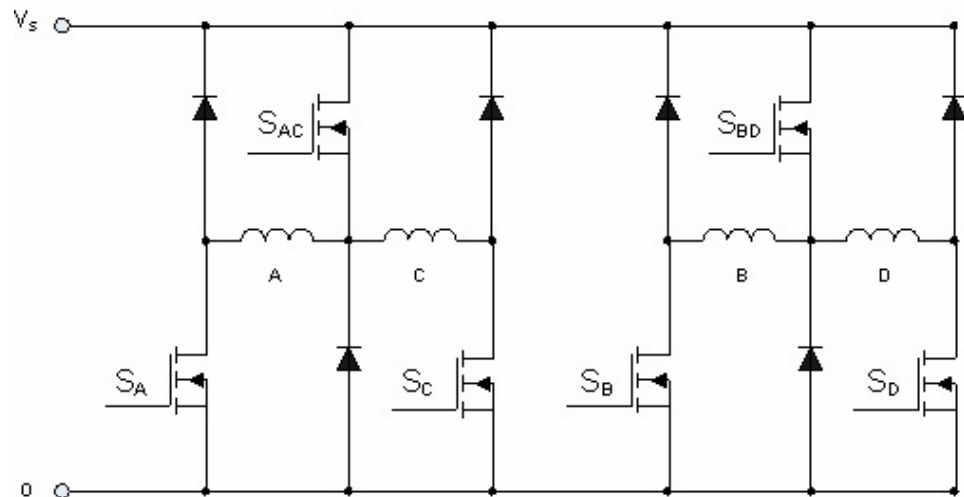


Figure 2-5 Multiphase-switch drive topology

In the following we want to look closer at this drive topology. Note that the ideal current and inductance waveforms imply a saw tooth waveform of flux-linkage  $\psi = Li$ . So the flux-linkage is build up from zero every stroke and diminishes to zero back again, to do so the voltage must be reversed at the end of each stroke. *Figure 2-6* shows the half-bridge phase leg circuit in detail. This circuit can supply current in one direction, but it can supply positive, negative, or zero voltage at the phase winding.

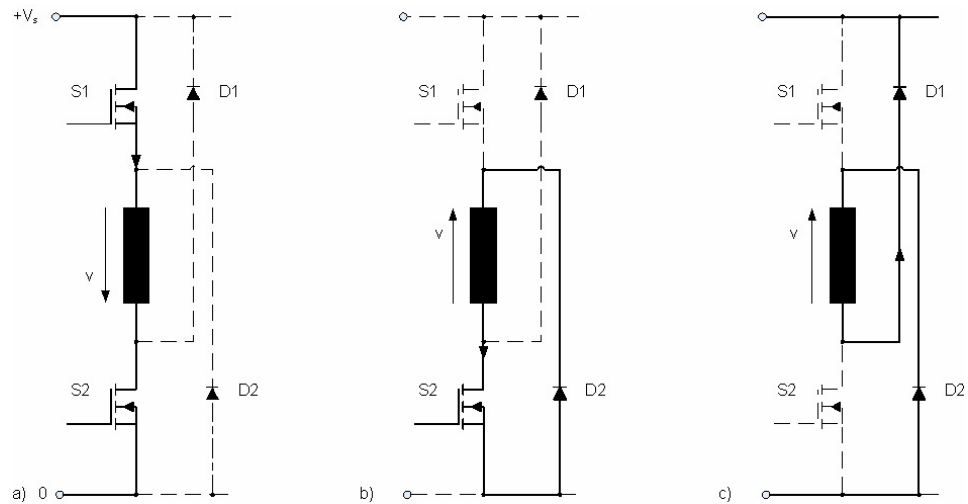


Figure 2-6 Single phase leg circuit

The whole working area of the motor can be divided in two parts, the Low-speed motoring and High-speed motoring phase. At low speed the motor EMF is low compared to the available supply voltage  $V_S$ , and the current can be regulated by chopping. At a certain “base speed” the back EMF rises to a level at which the transistors must be kept throughout the stroke to sustain the rated current. Any chopping would reduce the average applied voltage and therefore the current and torque. Here the torque can only be controlled by varying the firing angles, so called single pulse control. Both regulation forms are discussed in the following.

Low-speed motoring, the voltage applied to the phase winding is  $+V_S$  if both mosfets are on, 0 if one is on and the other is off, and  $-V_S$  if both power switches are off and the phase current is freewheeling through both diodes. These three conduction modes are shown in *Figure 2-6*.

The process of fluxing and de-fluxing is controlled by switching the supply voltage on at the turn-on angle  $\theta_{On}$  and switching off at the commutation angle  $\theta_C$ .

At low/medium motor speeds almost all supply voltage is available to force the increase in current, subsequently to the low back-EMF. Current control is necessary at low speed.

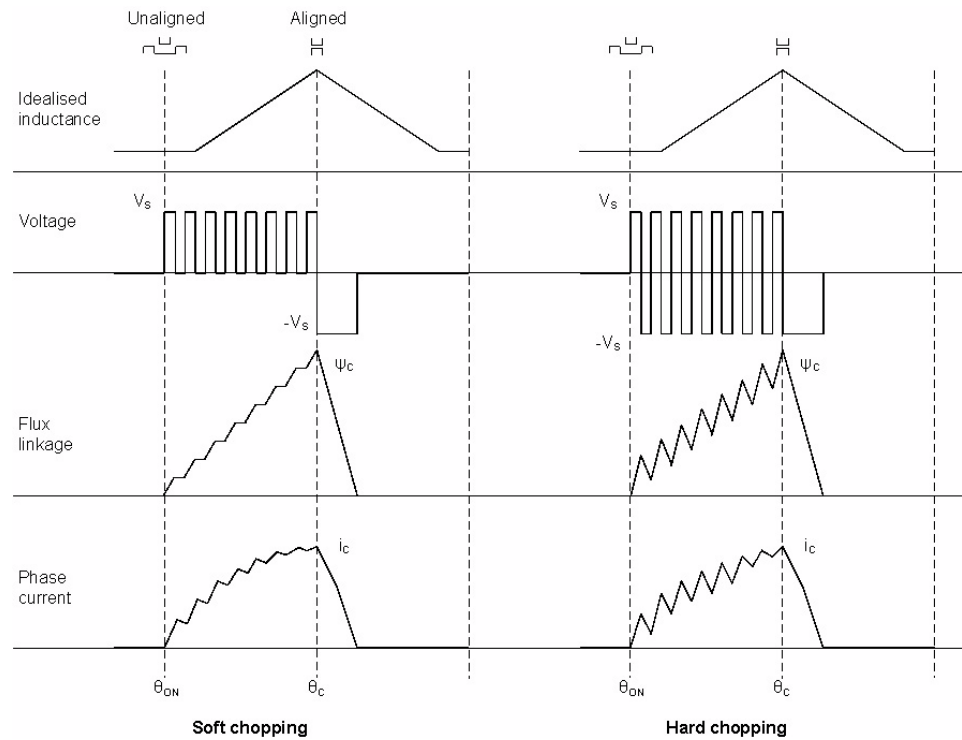
The method of current regulation is a question of timing and width of the voltage pulses. Broadly speaking there are two main methods: current hysteresis control and voltage-PWM.

In both cases, as mentioned above, there is a flux building interval from  $\theta_{On}$  to  $\theta_C$ , called dwell, and the interval where both mosfets are switched off and the flux decays to zero.

In Voltage PWM there is no closed loop control of the instantaneous current. The current waveform has its natural shape at all speeds, as though the supply voltage was chopped down. For safety issues a current limiting function must be included, but because no attempt is made to control the current instantaneous there is no need to sense the current in every motor phase. Voltage PWM tends to produce quieter operation than current hysteresis control therefore this regulation form was chosen in this Application Note.

Voltage PWM chopping can be realised in two ways with this drive topology, soft chopping and hard chopping. *Figure 2-7* shows the difference and the pertinent phase current, flux linkage, voltage and inductance profile. Soft chopping is when only the high side power switch is chopping; the other switch remains permanently on. Hard chopping is when both transistors are switched on/off

together. It generally produces more acoustic and electric noise, it also generates more current ripples, therefore soft chopping was realised in this application.



**Figure 2-7 Voltage PWM – soft/hard chopping**

This control principle can be applied until a certain speed limit is reached. Indeed as the speed increases, the current becomes harder to control because of the back EMF and because the PWM maximum duty cycle/ frequency is reached. For this final stage the speed could be increased by advancing the firing angles  $\theta_{ON}$  and  $\theta_c$ , the torque being than maximum as soon as the inductance increases. This is even more convenient, as longer time will be available to decrease the current before the inductance starts decreasing.

As mentioned in this and the previous section, knowing the position of the rotor is a key issue to be able to control the current and then the torque. A good torque control will require knowing the inductance profile, the moment when it is at the maximum and minimum values.

The following figure shows a schematic for general motor control design with a microcontroller.

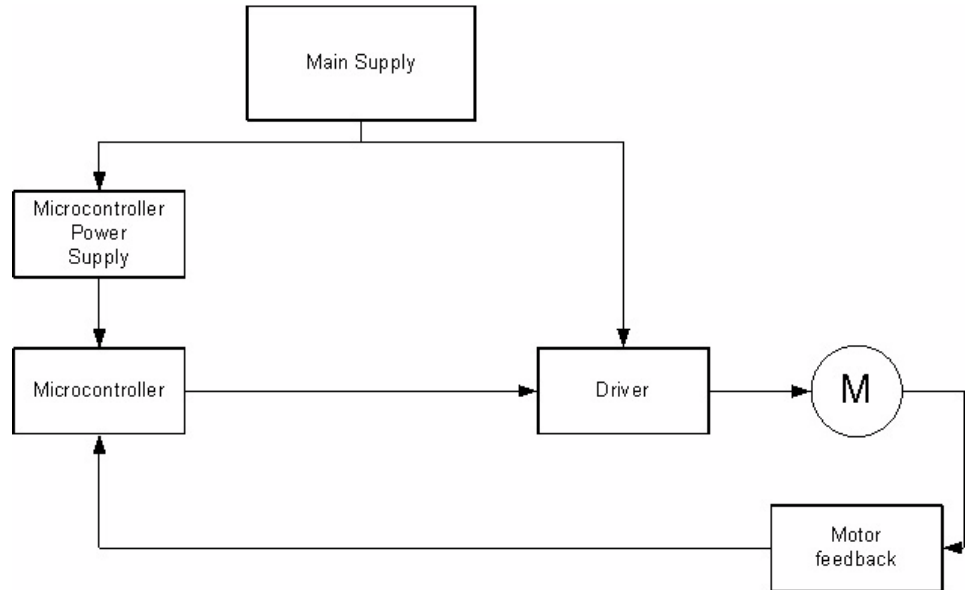


Figure 2-8 General motor control design

The functions of the components in detail:

Main supply	Provides circuit energy
Microcontroller Power Supply	Regulates voltage and current for the microcontroller
Microcontroller	Produces the accurate signals for switching the mosfets also contains protection circuit, which ensures that a certain current value is not exceeded. Microcontroller observes and regulates the motor velocity.
Driver	Switches the power necessary for the motor phases.
Motor feedback	Gives continuously information about the position of the rotor, speed and spinning direction.

Switched reluctance motor control requirements are summarized below:

- Driver circuit to provide necessary power for the SR machine
- Current limiting device (software based)
- Interrupted based microcontroller algorithm to produce exact output signals

For the velocity control of the motor

- Information about exact rotor position
- Measurement of the motor speed
- PWM Signal to control motor current and power

# Chapter 3 System Design Concept

## 3.1 System Concept

Figure 3-9 shows the principal block diagram of the system concept for the switched reluctance motor.

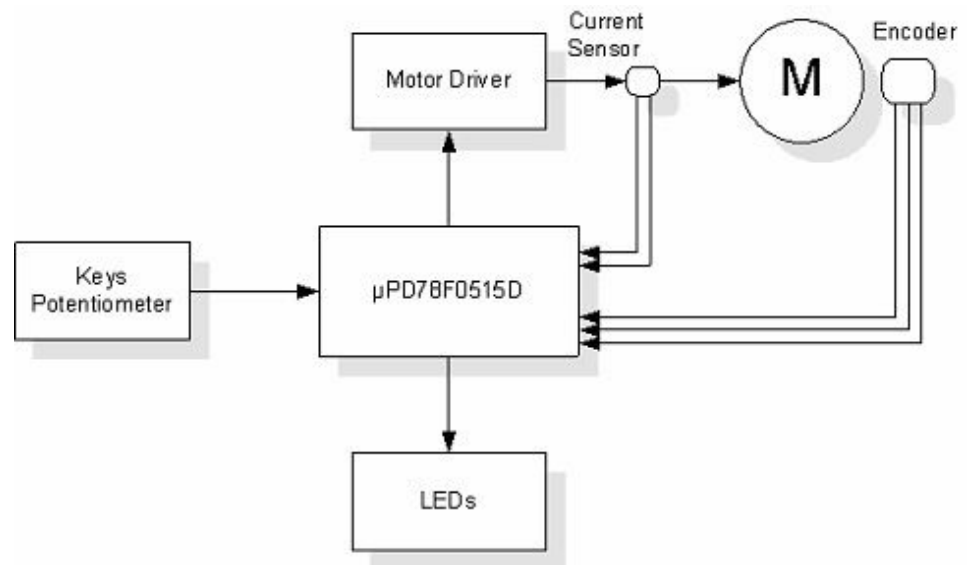


Figure 3-9 Principal block diagram of the system configuration

This system is designed to drive a 4-Phase SR motor. The application meets the following performance specifications:

- Speed control of SR motor with encoder position sensor
- Targeted for 78K0/Kx2 Series
- Variable line voltage up to rated 42V DC
- Control techniques incorporates
  - voltage SRM control with speed closed loop
  - motor starts from any position with rotor alignment
  - two directions of rotation
  - motoring mode
  - minimal speed 600 rpm (can be set by user)
  - maximal speed depended on line voltage 4320 rpm (can be set by user)
- Encoder position reference for commutation
- User Interface (start/stop switch, right/left switch, potentiometer for speed adjustment, LED indicators)
- DC-Bus over current protection

## 3.2 System Configuration

Figure 3-10 shows the system configurations and the peripherals of the  $\mu$ PD78F0515D device used for the SR motor control.

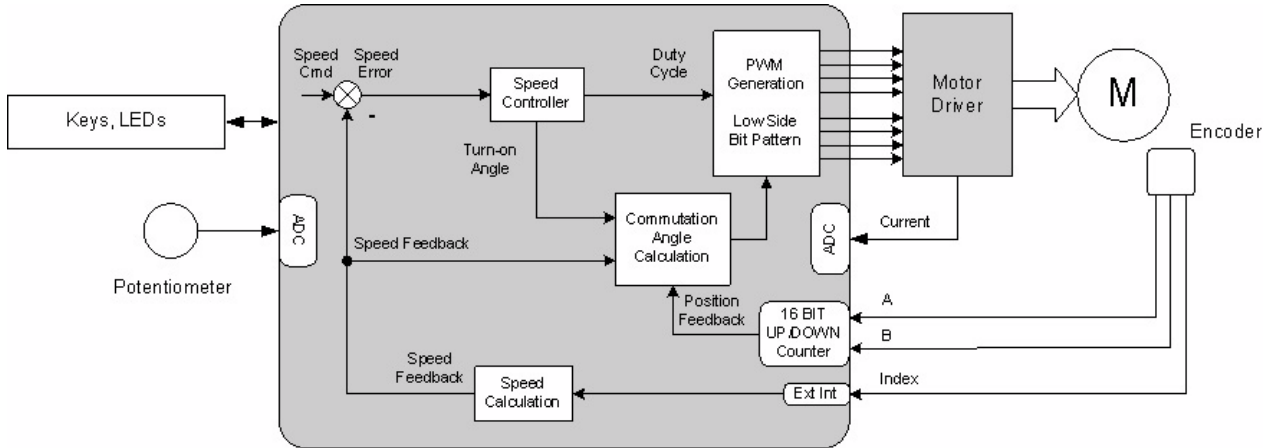


Figure 3-10 System Configuration with the peripherals of the  $\mu$ PD78F0515D

The microcontroller runs the main control algorithm. It generates 4-Phase PWM output signals for the SR motor power stage according to the user interface input and feedback signals. The required speed is set by a potentiometer, furthermore a start/stop and right/left

switch is provided. When the start command is given the start-up sequence with the rotor alignment is performed and the motor is started in the desired direction.

The rotor position is evaluated using the external encoder and the commutation angle is calculated. When the actual position of the motor is equal to the reference position, the commutation of the phases in the desired direction of rotation is done; the actual phase is turned off and the following phase is turned on.

For the speed calculation no additional velocity sensor is needed, motor speed is derived from the position information.

The reference speed is calculated from user defined potentiometer value. The speed error between commanded speed and actual speed is used in the speed controller to manipulate the voltage applied to each phase winding and the firing angles. As mentioned earlier PWM Voltage regulation is used in low- and mid-speed regions, whereas advancing the turn-on angle in the single-pulse control comes active in the high speed area. The control algorithm is build up in such a matter, when the PWM regulation reaches its limits the single-pulse regulation takes over. Then during the PWM cycle, the actual phase current is compared with the absolute maximum value for the rated current. As soon as the actual current exceeds this value the PWM duty cycle is restricted.

The procedure is repeated for each commutation cycle of the motor.

### 3.2.1 Start-Up Sequence

As mentioned in the previous section one task of this application is to ensure rotor movement in both directions. Before the motor can be started in the desired rotation direction rotor alignment and initialization of the control algorithm must be performed since the absolute rotor position is not known. The start-up is

performed in several steps; the result is that the rotor is aligned to a known position. Therefore at first two phases are turned on simultaneously, after 50 msec one phase is turned off and the other stays powered. After an additional 550 msec, the rotor is stabilized enough in the aligned position in respect to the powered phase.

The whole stabilization takes about one second and after this period the motor is stable enough to reliably start the motor in any direction of rotation.

### 3.2.2 Position and Speed Sensing

The position information is a key factor to generate accurate switching for the power converters and is of most importance ensuring drive stability and fast dynamic control. Speed calculation can also be derived from the position information and there is no need for additional velocity sensors.

The presented application uses the on-chip 16-bit timer of the 78K0/KC2 as an Up/Down Counter. The timer counts the externally number of pulses provided by the encoder and the software determines the required values to load into the counter compare register in the correct sequence. In this application a 1000- line encoder is used so the 16- bit timer can produce defined interrupts with a resolution precision of 0.36°.

The speed can be computed by calculating the change in time of the index signal per resolution. An 8-bit interval timer is used to guarantee total independence of positioning sensing and speed sensing. It measures the time and provides the information in rpm to the system.

### 3.2.3 Commutation Algorithm

The SR motor commutation strategy uses rotor position feedback to drive the signals for the inverter switches. The core of the control algorithm includes the calculation of the commutation angles, and phases commutation.

Due to the 8/6 SR motor topology a fixed dwell angle of 15° is chosen to assure in cooperation with the turn-on angle that the flux should be zero throughout the period of falling inductance. Assuming the software routine outputs the commutations angles in terms of encoder counts then the next requirement is for the software to determine the required values to load into the counter in the correct sequence. The current flow through the stator windings is restricted to 15 mechanic degrees. A closer view at the Index signal of the encoder is also necessary to ensure right commutation values. To synchronize the software with the actual rotor movement, the compare value has to be manipulated every time the Index signal comes active. The values that are loaded into the timer are calculated as followed,  $T_{ON}$ ,  $T_{OFF}$  are the appropriate turn-on turn-off angles:

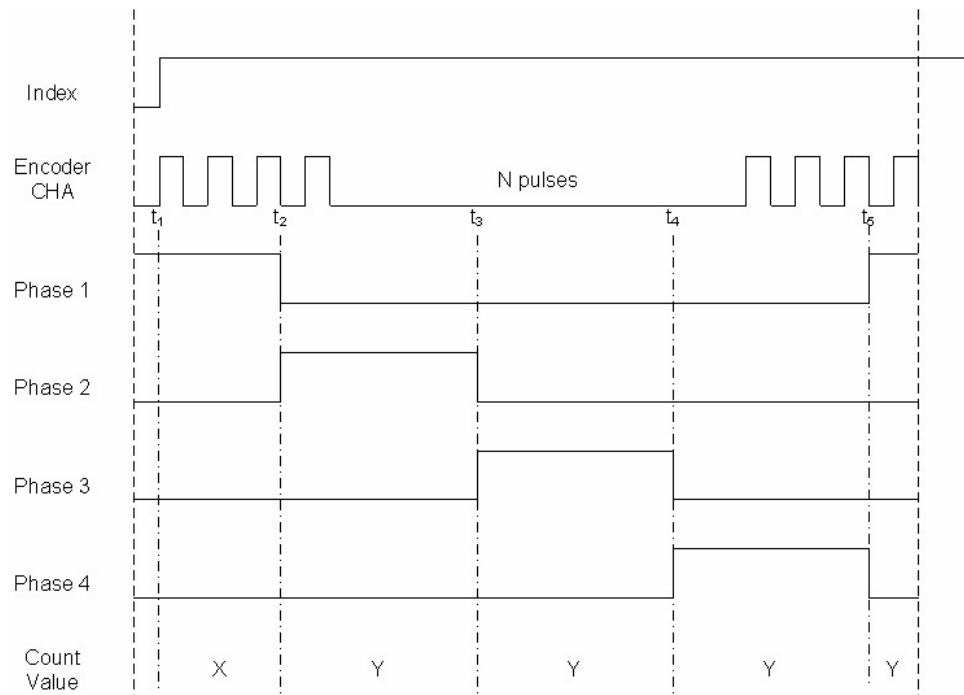
$$\text{CountValueX} = T_{ON} - (2 \cdot \text{DwellAngle})$$

$$\text{CountValueY} = T_{OFF} - T_{ON}$$

The software determines the values at which the system has to react and change the commutation pattern.

*Figure 3-11* shows commutation control with a high-resolution encoder and the distinct values x and y for the 16-bit timer capture compare register.





**Figure 3-11 Commutation control with high-resolution encoder**

The presented commutation algorithm does not allow parallel current conduction of two phases at the same time.

### 3.2.4 Current Limiter

The application deals with voltage PWM control, there is only need for a current security loop so rated current is not exceeded. As soon as this state is detected the PWM is manipulated to prevent further current rise.

### 3.2.5 Current Sensing

Current measurement needs to be investigated according to current sensors used and the influence of noise on the measurement

The quality of current measurement depends heavily on the type of current sensor used. In this application the voltage drop across a sense resistor is used to calculate the actual current. Shunt resistors in combination with RC Low-Passes are a cheap solution and the current only needs to be limited, therefore expensive Hall Effect sensors are not used.

The sensing needs to be synchronized with the actual PWM signal to ensure current flow and to reduce voltage ripples. *Figure 3-12* shows the actual phase current measured on the shunt resistor as described above.

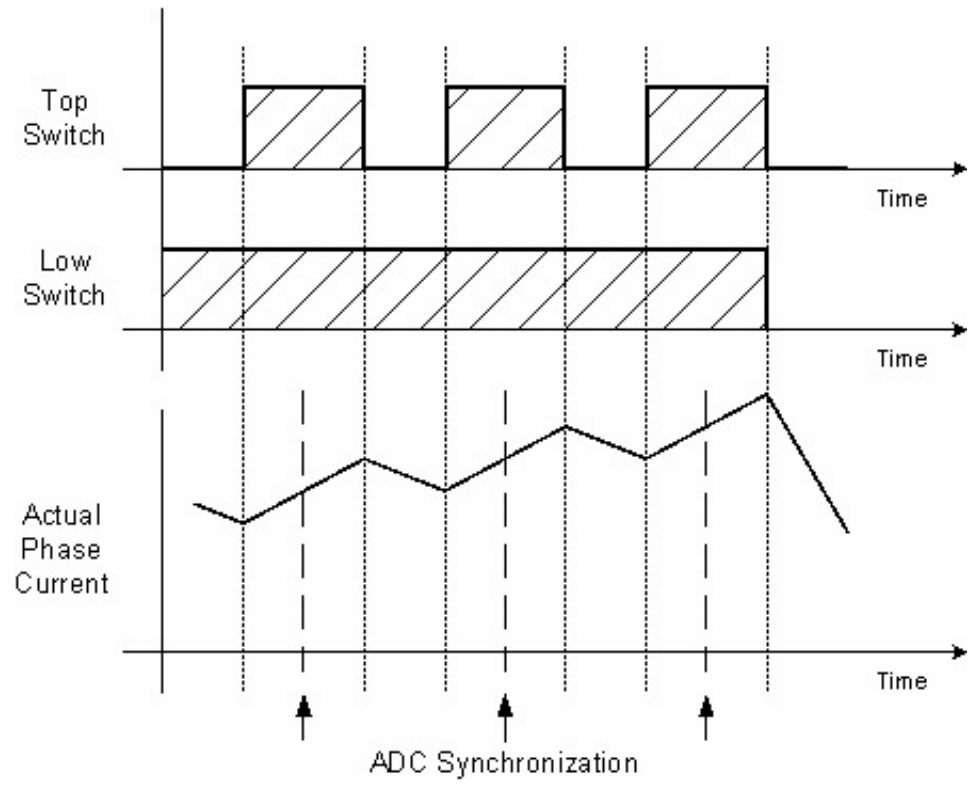


Figure 3-12 Soft switching current sensed on ADC

# Chapter 4 Hardware Configuration

This section describes the hardware requirements for this application example.

## 4.1 $\mu$ PD78K0/KC2 Configuration

The  $\mu$ PD78K0/KC2 device is a member of the high performance 78K0/Kx2 Family 8-bit microcontrollers. The configuration of the device and the operating environment used in this application is listed below:

- CPU:  $\mu$ PD78F0515D
- Operating clock: System clock 20 MHz
- Operating Voltage: 5 V
- Internal ROM: 60 Kbytes
- Internal RAM: 1024 bytes
- External expansion memory: not used

## 4.2 Peripherals I/O Assignments

Table 4-1 lists all pins of the  $\mu$ PD78K0/KC2 device and the ones that are used in this application are described with their associated function.

Table 4-1  $\mu$ PD78K0/KC2 Peripherals I/O Assignments

Pin no.	Pin name	Mode setting	Function
1	P60/SCL0	Output	Not used
2	P61/SDA0	Output	Not used
3	P62	Output	Not used
4	P63	Output	Not used
5	P33/TO51	Output	Not used
6	P75	Output	Motor start/stop switch
7	P74	Output	Not used
8	P73/KR3	Output	Motor direction switch
9	P72/KR2	Output	LED green, regulator
10	P71/KR1	Output	LED yellow, rotation direction
11	P70/KR0	Output	LED red, motor running
12	P32/INTP3	Output	Not used
13	P31/INTP2	Output	Not used
14	P30/INTP1	Output	Not used
15	P17/TO50	Output	Not used
16	P16/TOH1	Output	Motor highside BD
17	P15/TOH0	Output	Motor highside AC
18	P14/RxD6	Output	Not used
19	P13/TxD6	Output	Motor lowside D
20	P12/SO10	Output	Motor lowside C
21	P11/SI10	Output	Motor lowside B
22	P10/TxD0	Output	Motor lowside A
23	AVREF		Connect to VDD
24	AVSS		Connect to ground
25	ANI7/P27	Input	Not used
26	ANI6/P26	Input	Not used
27	ANI5/P25	Input	Not used
28	ANI4/P24	Input	Not used
29	ANI3/P23	Input	Not used
30	ANI2/P22	Input	Current sensing BD+
31	ANI1/P21	Input	Current sensing AC+
32	P20/ANI0	Input	Potentiometer voltage
33	P130	Output	Potentiometer
34	P01/TI010	Input	Encoder channel B
35	P00/TI000	Input	Encoder channel A
36	P140/PCL	Output	Not used

Pin no.	Pin name	Mode setting	Function
37	P120/INTP0	Output	Not used
38	P41	Output	Not used
39	P40	Output	Not used
40	RESET	Output	Reset input
41	P124/XT2	Output	Not used
42	P123/XT1	Output	Not used
43	FLMD0	Input	Not used
44	P122/X2	Output	System clock
45	P121/X1	Output	System clock
46	REGC	Output	Not used
47	VSS	Output	Ground
48	VDD	Output	Power supply

### 4.3 Motor Specification

The 4-Phase switched reluctance motor used in this application note has eight stator poles and six rotor poles. This combination yields 24 strokes per single revolution. The mechanical angle 60° corresponds to one electrical stroke.

Motor Type	4-Phase SR Motor
Stator/ Rotor Poles	8/6
Rated Volts	42VDC
Rated RPM	3500
Rated Power	200 W
Rated Current	10A / PH

### 4.4 Encoder Specification

The optional included encoder should generally have following specification and provide the signals shown in *Figure 4-13* .

Supplied Voltage	5V
Resolution per Step	1000 Counts
TTL Compatible	

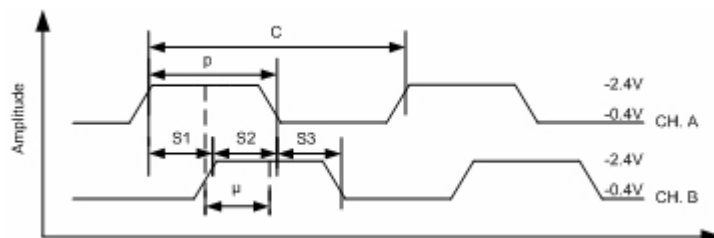


Figure 4-13 General signal process of the encoder

The encoder also provides an additional Index signal, which occurs once a revolution.

## 4.5 SR Motor Driving Circuit and User Interface Circuit

Figure 4-14 is a schematic of the driving circuit used in the development of this application note.

Complete part list for Figure 4-14 :

<b>Resistors</b>	
R1, R2, R5, R4, R8, R9, R11, R12	10 $\Omega$
R3, R6, R7, R10, R13, R14	0.01 $\Omega$
<b>Capacitors</b>	
C1, C3	560 pF
C2, C4	100 nF
<b>Diodes</b>	
D1, D4, D5, D6, D9, D10, D11, D12	1N4148
D2, D7	BYW81P
D3, D8	BYV72
<b>MOSFET</b>	
Q1, Q2, Q3, Q4, Q5, Q6	IRFP150

Figure 4-15 is a schematic of the User Interface and micro peripherals used in this application note.

Complete part list for Figure 4-15 :

<b>Resistors</b>	
R1, R2, R3, R4	330 $\Omega$
R5, R6	10 k $\Omega$
R7	1 k $\Omega$
R8	10 $\Omega$
R9, R10, R11, R12, R13, R14	100 $\Omega$
R15, R16	500 $\Omega$
<b>Capacitors</b>	
C1	470 $\mu$ F
C2	0.33 $\mu$ F
C3	0.1 $\mu$ F
C4	100 pF
C5	1 $\mu$ F
C6, C7	100 nF

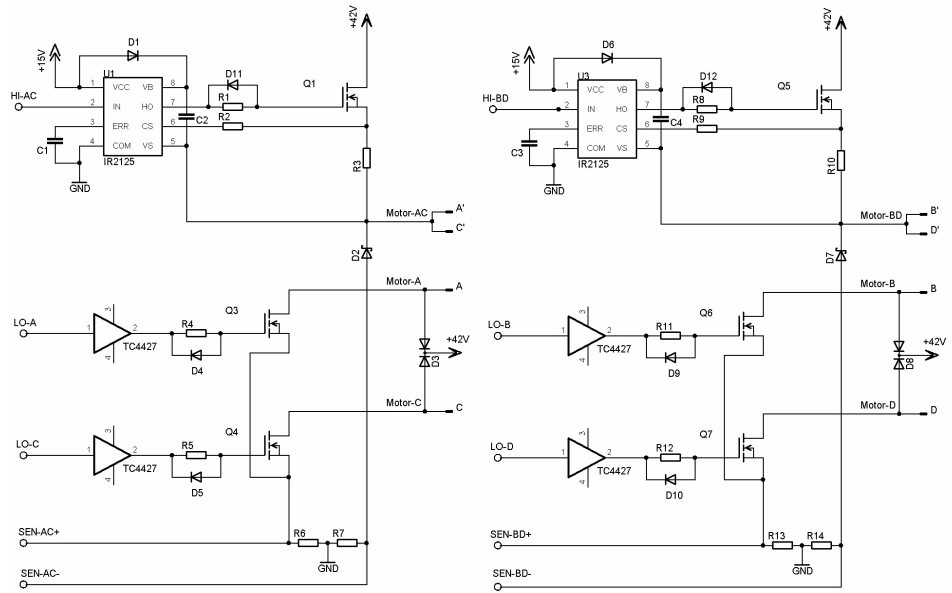


Figure 4-14 Motor Driver for SR Motor

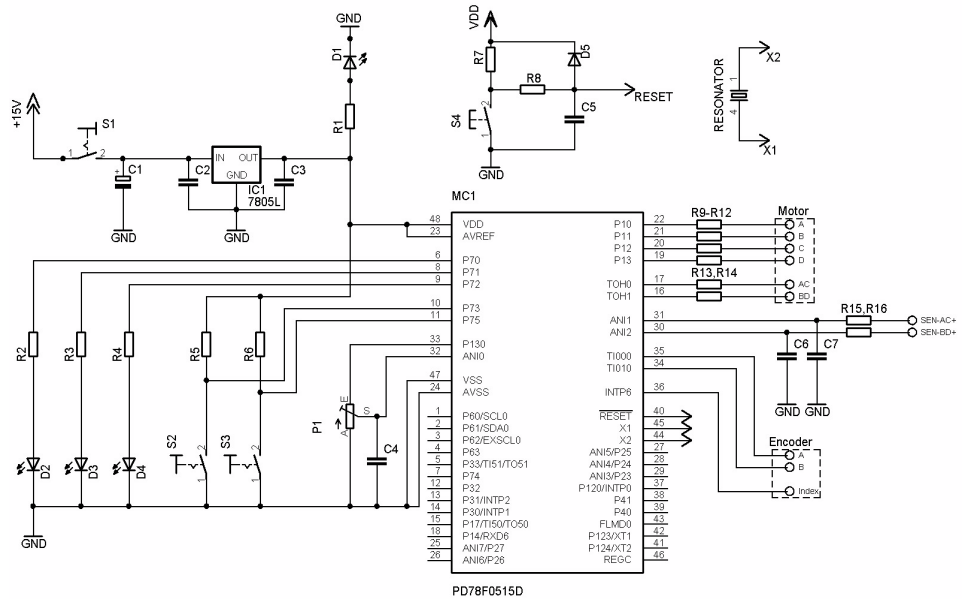
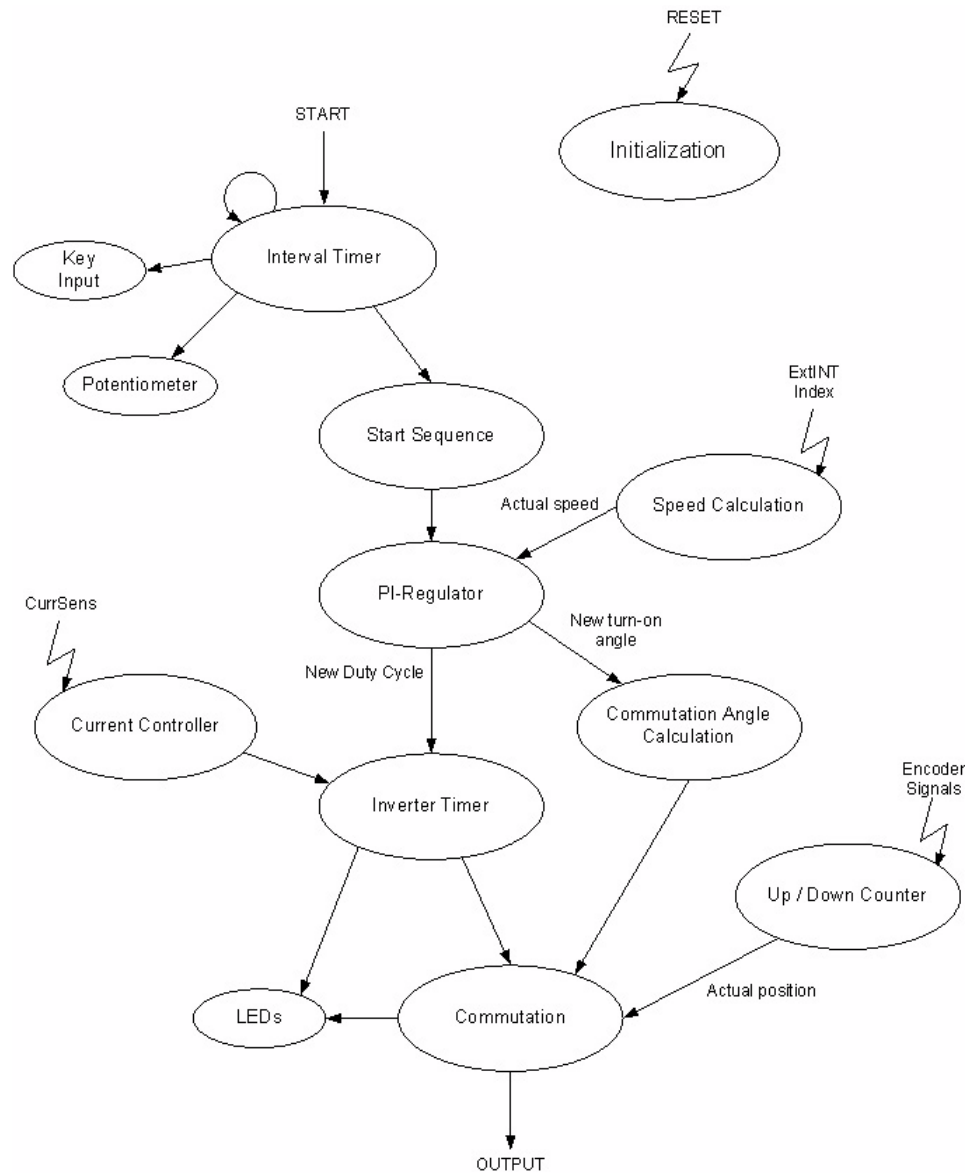


Figure 4-15 User Interface for SR Motor

# Chapter 5 Software Process Description

This section describes the software implementation for this application example. *Figure 5-16* shows the principal data flow diagram and the relationship between the software modules and hardware peripherals that are involved in the control of the motor.



**Figure 5-16** Principal data flow diagram

The functions of the system shown in *Figure 5-16* are sequential and implemented and executed in the main endless loop of the software. The individual processes are described in detail in the following sections.



## 5.1 Initialization

The initialization process is responsible for the initializing the  $\mu$ PD78K0/KC2 device after a system reset. It configures the basic clock settings of the device, initializes the peripherals that are used for the motor control application and disables/ enables interrupts. The initialization contains two parts as shown in *Figure 5-17*, the first part that initializes the configuration of the device and the second part initialize the peripherals with their operating mode.

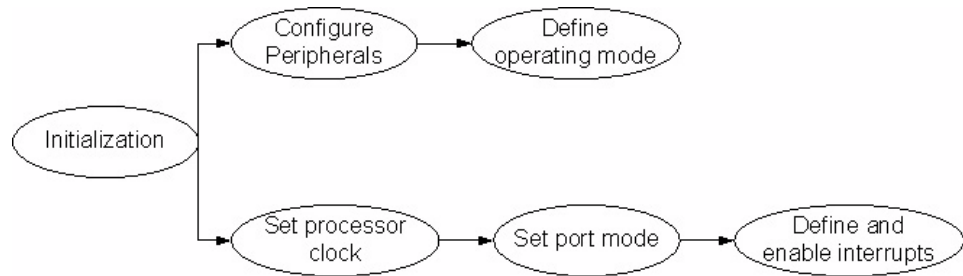


Figure 5-17 Initialization process

## 5.2 Interval Timer

An 8-bit timer is used to realize the interval timer function. It is used to generate an interrupt request at the preset time interval. The interval time length is set to the period of  $T = 998.3 \mu\text{s}$ . The function Interval Timer is used whenever specific time periods are needed. It controls the execution of the key input function and the potentiometer function. It's also responsible to start the SR motor with the start sequence of the system.

## 5.3 Key Input, Potentiometer function

These are the two functions that are responsible for getting the key inputs, to make the user able to make a choice between start/ stop and the spinning direction of the motor, and the actual potentiometer position, where the rpm of the motor can be manipulated. The Key Input function is event controlled and it is executed only when a key entry is recognized. The sample time of the key entry is defined with the elapse time of the Interval Timer function.

The Potentiometer function uses the same sample time and is also event controlled.

A software algorithm divides the potentiometer interval into user defined values, here in this application note 600 rpm for minimum and 4320 rpm for the maximum value was chosen.

A software filter is applied to the potentiometer routine for greater noise immunity. The system can immediately work with the newly adjusted speed.

## 5.4 Start Sequence

The start sequence of the system is the function that allows a non-reflecting start of the motor. As already described the motor needs to be aligned to a known position to be able to start in the desired direction of rotation. The fixed bit pattern for phases C and D is provided for the low-side driver, high-side driver PWM is set to 25% duty cycle. The sample time of the CD energizing is defined with the elapse time of the Interval Timer function. After the request flag is cleared phase C is turned off and after a short sample period the system is stable and can operate in its normal manner.

## 5.5 Speed Calculation

The process calculates the actual speed of the motor. The calculation is based on the evaluation of the index information. An extra 8-bit timer is used for speed calculation to ensure independent working. When the index signal occurs the timer starts to count up, as soon as the next Index signal follows the timer is read out and cleared to zero. Timer frequency is chosen to ensure all working areas of the motor, in this application 600 – 4320 rpm, no interrupts are generated to minimize microcontroller load. If an overflow occurs an OV Flag is set and the software can react to it.

The speed is computed by reading the time difference per pre-defined time sample.

A software moving average filter applied to speed measurement is incorporated into the process for greater noise immunity. The actual motor speed is calculated as the average value of at least two measurements. All calculations in the application use the onboard multiplier/ divider to keep microcontroller loads low and to ensure fast calculation times.

## 5.6 PI-Regulator

The PI-Regulator used is the classical Proportional Integral (PI) control method in the voltage control and turn-on angle control of the switched reluctance motor.

The regulator is based on the recursive PI algorithm known also as the speed algorithm and takes the form of:

$$G(s) = K_p + K_i \cdot \frac{1}{s}$$

transformed into a discrete form:

$$K_p \cdot X_d + K_i \cdot \left( \sum X_d \right)$$

$$X_d = X(n) - X(n-1)$$

where:

$K_p$	presents the proportional gain
$K_i$	presents the integral gain
$X_p$	presents the voltage error
$\sum X_d$	presents the accumulated voltage error

The coefficients KP and KI were derived empirically and optimized based on system behaviour produced by disturbances during the system testing.

The sample time of the regulator is set to distinct time period two times faster than the maximum velocity of the motor. The function also normalise the value and transforms the calculated regulated quantity into the duty cycle of the PWM signal or the appropriate turn-on angle. As mentioned before two control methods are necessary to guarantee best control over all speed periods, voltage PWM in low-, mid-speed regions and turn-on angle shifting in the high speed region. Both methods use the same basic PI structure, but differ in their Kp and Ki values. Every time the function is active both values are calculated, but only the one is used that is appropriate for the current situation. If voltage PWM reaches its critical settings the actual speed is stored and turn-on angle control takes over, if the ordered speed falls below the stored value voltage PWM takes back over. A control flag is set if both mechanisms reach their limit. Two 8 bit timers are used for the 20 kHz PWM output to ensure independently switching and low audio noise.

## 5.7 Commutation Angle Calculation

This process calls the commutation angle calculation routine which calculates the exact angles for phase firing. It also provides the accurate shifting of the turn-on angle and that the dwell angle is fixed to 15 degrees of mechanical rotation. All calculations in the application use the onboard multiplier/ divider to keep microcontroller loads low and to ensure fast calculation times.

## 5.8 Current Limiter

The main task of this routine is to assure that a certain user defined current value is not exceeded. The sampling of the ADC that is used to gather the voltage over the shunt resistors is synchronized to the PWM pulses. The process selects the proper ADC channels to be converted and reads and processes the results of the ADC conversion. The shunt voltage is filtered using a moving average filter. If the critical settings are reached the routine manipulates the PWM duty cycle and ensures lowering the actual current per phase.

A control flag is set as soon as the current controller has to react.

## 5.9 Commutation

This process provides the commutation of the motor phases. Here all information come together and control the motor. Depending on the actual position of the rotor the routine sets the output, the right bit patterns for the desired direction of rotation. The whole routine is based on interrupting the system as soon as the desired position for the next commutation is recognized. An ISR with high priority serves this duty. It is also possible to manipulate the bit patterns with an extern function. The System must be able to react at any given time to the position information.

## 5.10 LEDs

Three LEDs are used to show the different working conditions of the system. The red LED signals that the motor is running, yellow indicates the spinning direction and green shows when the regulation algorithm has reached its maximum.

# Chapter 6 Software Flow Charts

This chapter describes the important functions used in the system of the switched reluctance motor control application. Please refer in the software source codes if more information about these functions is needed.

## 6.1 Concept and Main Flow Diagram

Figure 6-18 shows the main program flow chart.

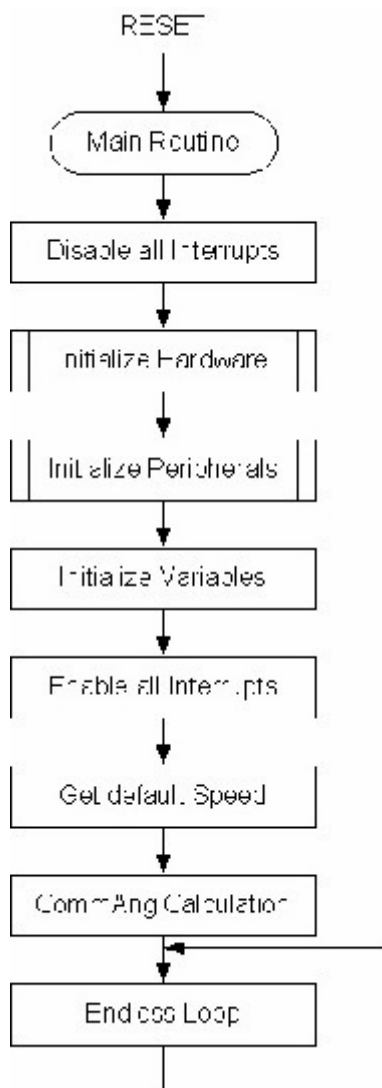


Figure 6-18 Main Program

## 6.2 Peripherals Initialization

Figure 6-19 shows the initialization of the used hardware peripherals of the  $\mu$ PD78F0515D device with their operation mode in this application.

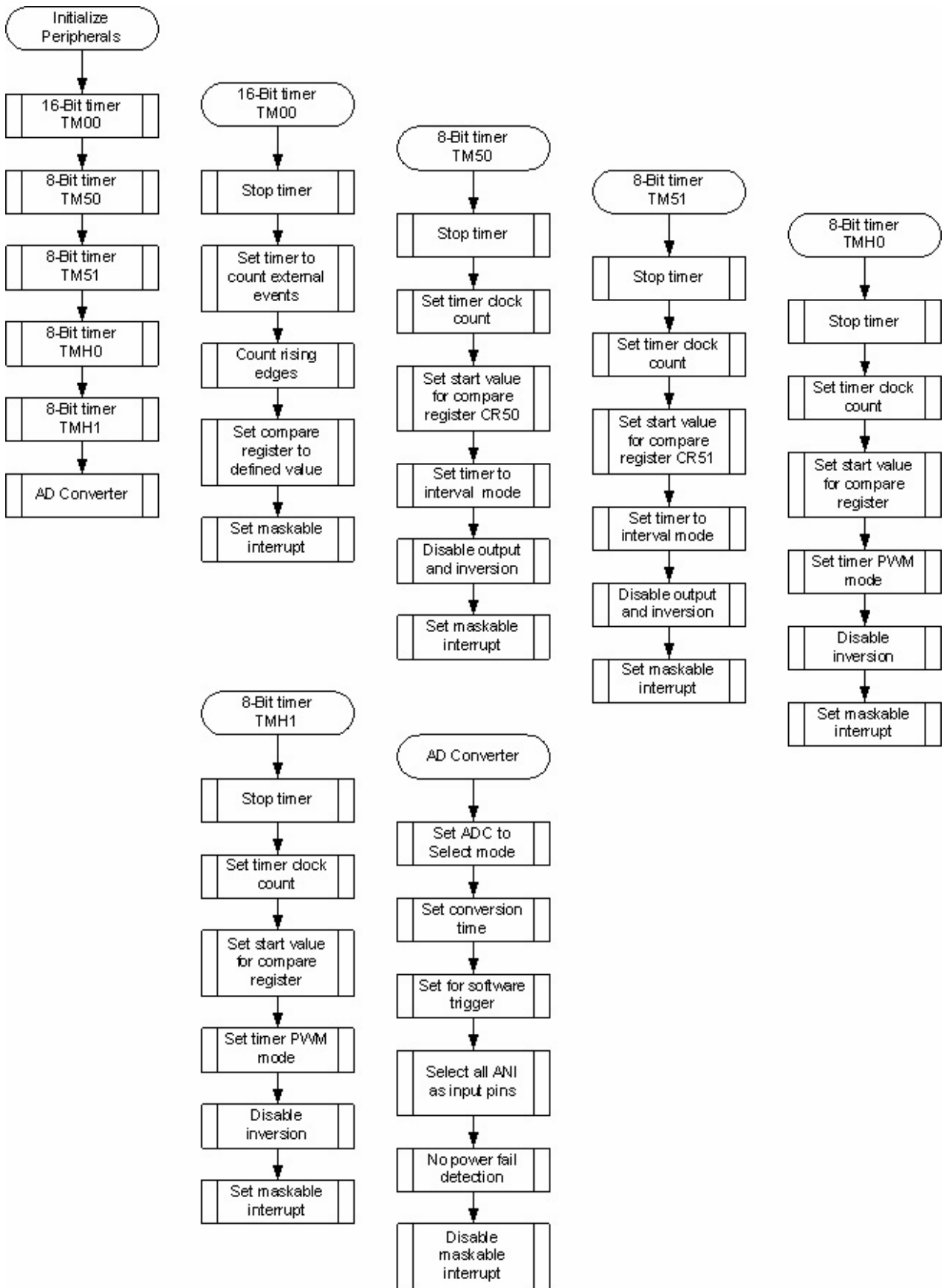


Figure 6-19 Peripherals Initialization

### 6.3 Main Loop

Figure 6-20 shows the endless loop of the main program used in this application.

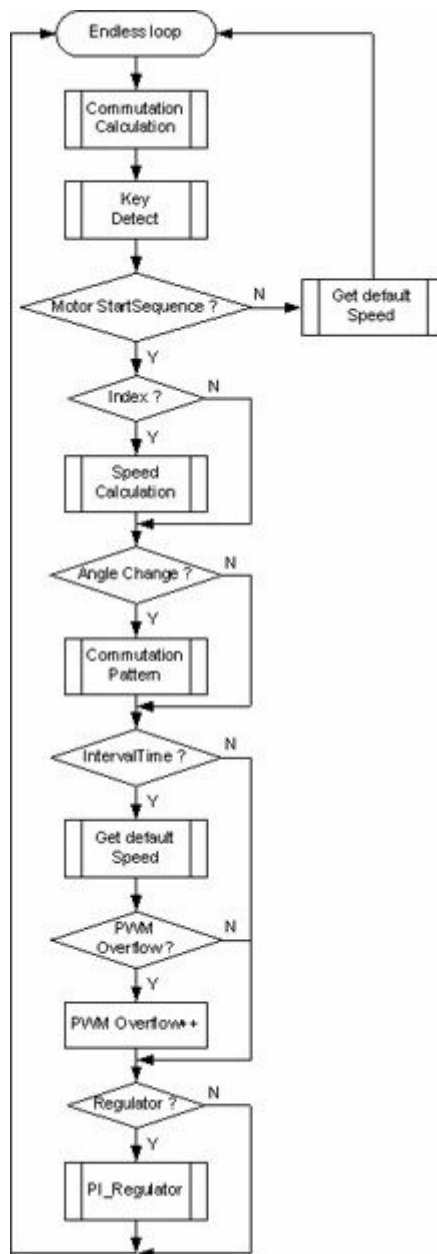


Figure 6-20 Endless Loop

## 6.4 Commutation Calculation

In *Figure 6-21* the flow chart of the commutation angle calculation is shown. The routine is calculates the appropriate turn-off angles and the required values Count Value X, Count Value Y for the 16-bit up/ down counter.

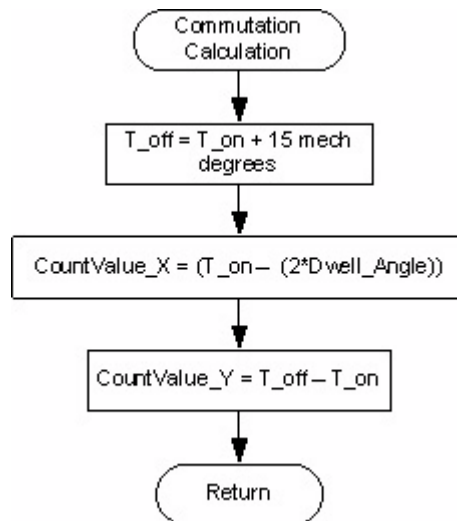


Figure 6-21 Commutation Calculation



### 6.5 Key Detect

Figure 6-22 shows the Key Detect flow chart.

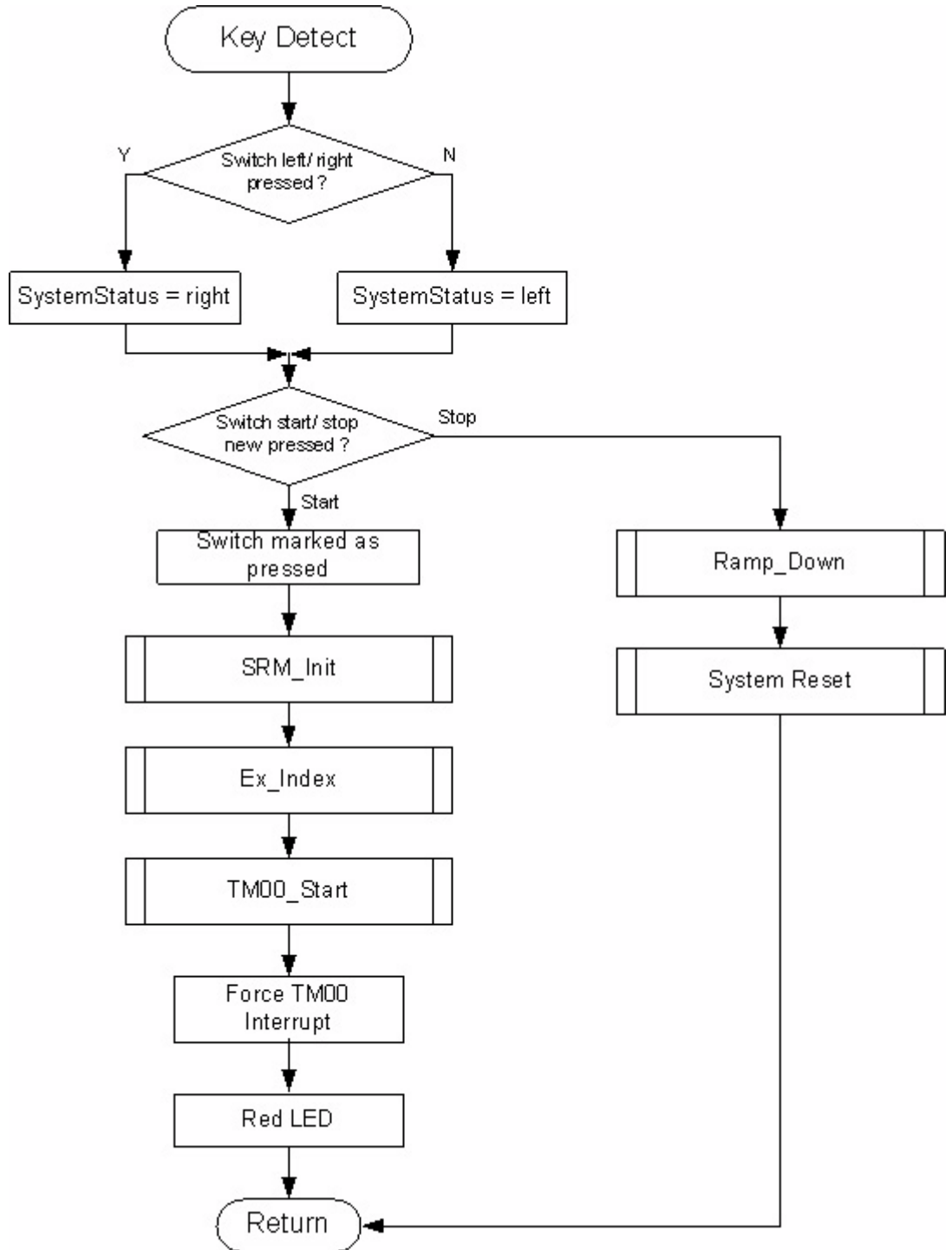


Figure 6-22 Key Detect

## 6.6 SRM Init

SRM Init provides the defined start position of the motor. *Figure 6-23* shows the associated flow chart.

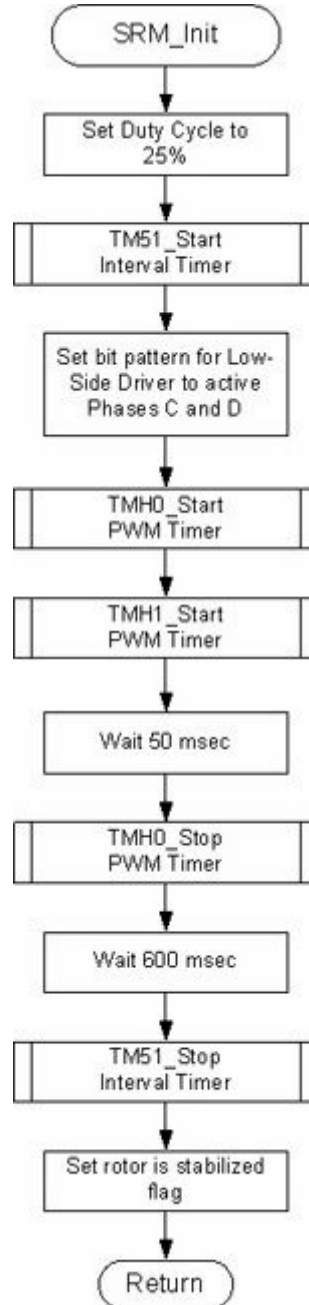


Figure 6-23 SRM Init

### 6.7 External Index

This function activates the external interrupt for the encoder Index signal and provides the action that has to be taken at this point.

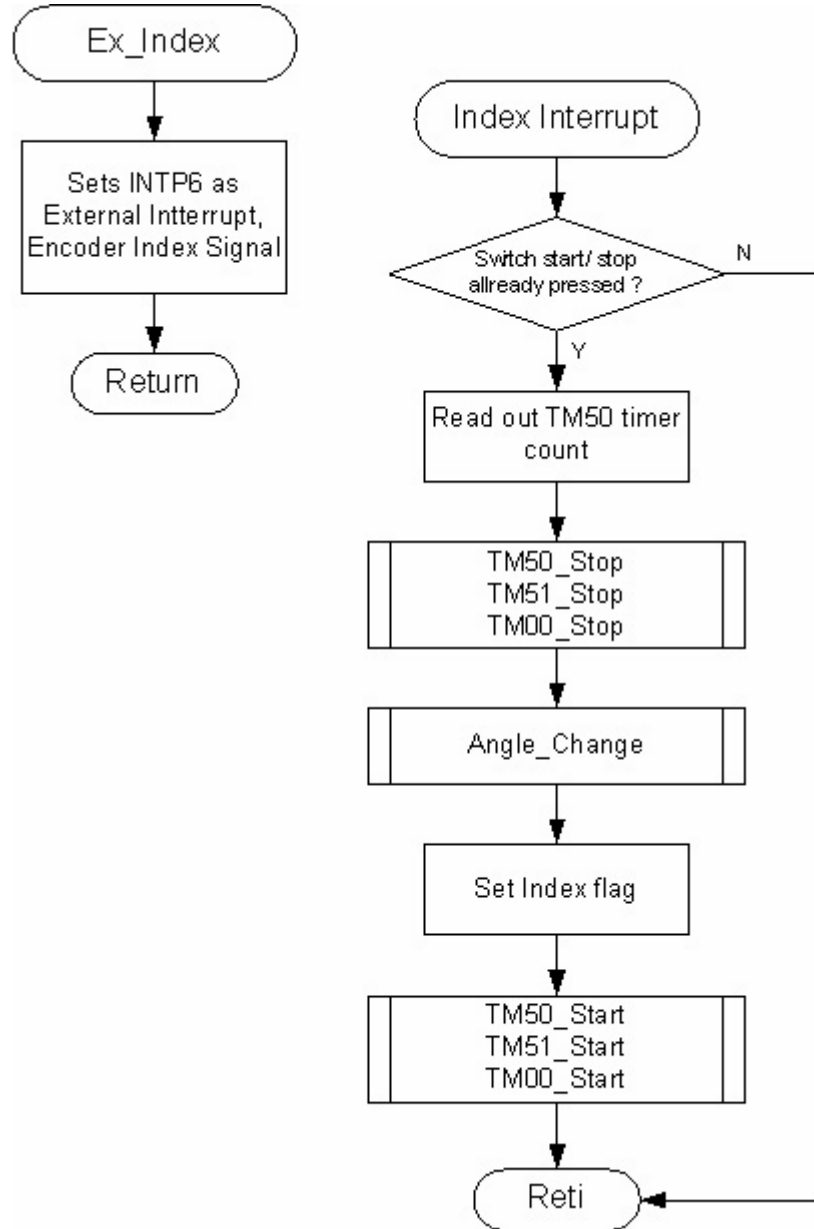


Figure 6-24 External Index

### 6.8 TM00 interrupt

16 bit up/ down counter TM00 interrupt based commutation control.

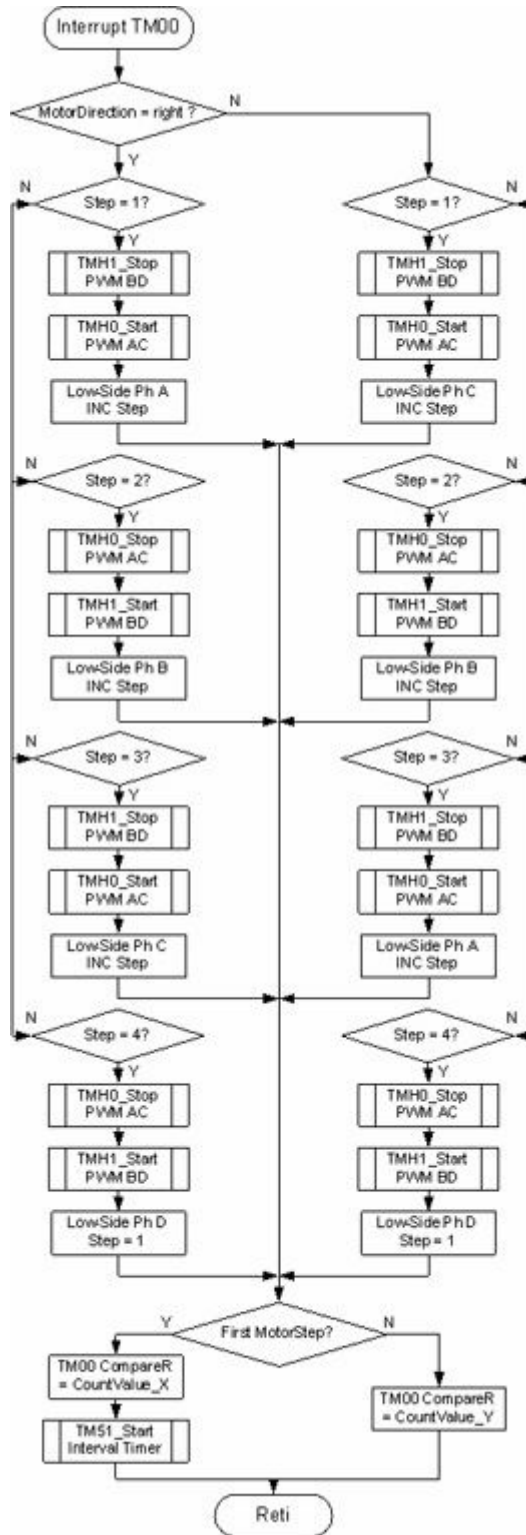


Figure 6-25 TM00 interrupt

### 6.9 Angle Change

This function is responsible to assure that if the firing angles are being shifted the right steps are maintained and a flag is set to immediately react to this new condition. *Figure 6-26* shows the flow chart.

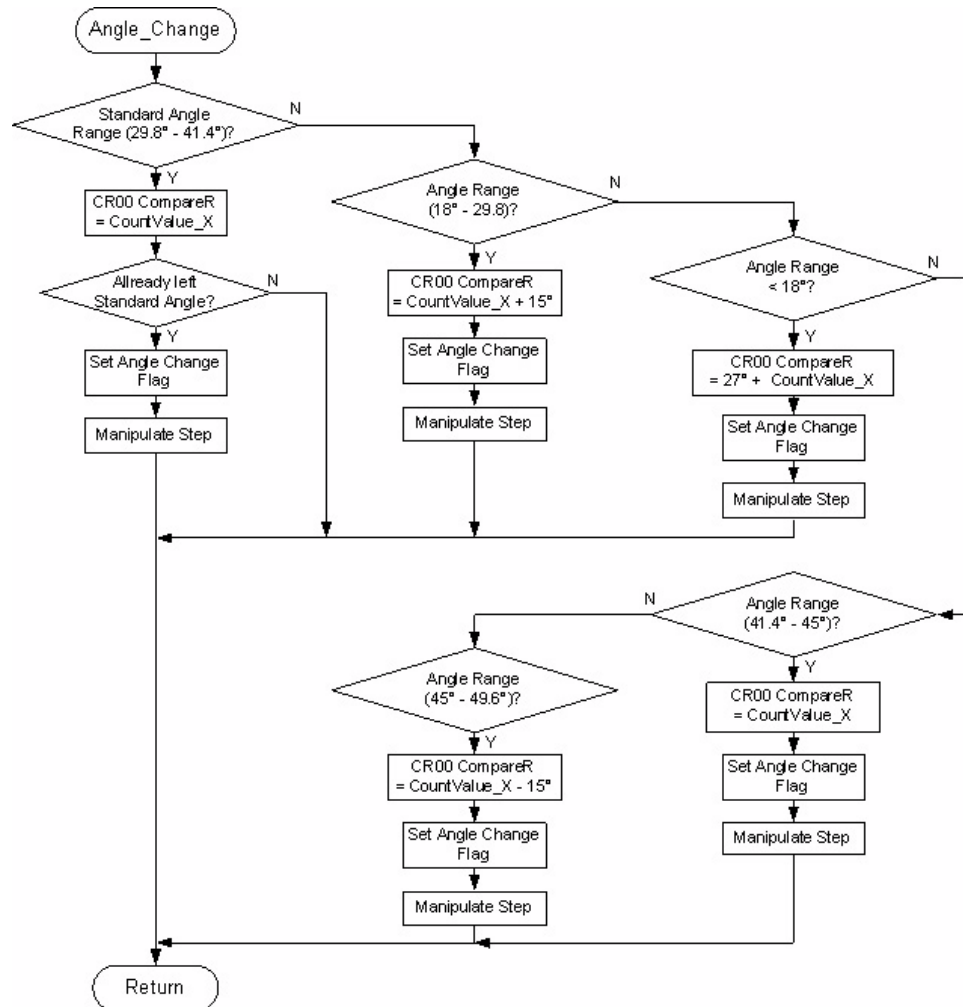


Figure 6-26 Angle Change

## 6.10 Commutation Pattern

Commutation Pattern reacts as soon as Angle Change Flag is set and works with the manipulated Step variable.

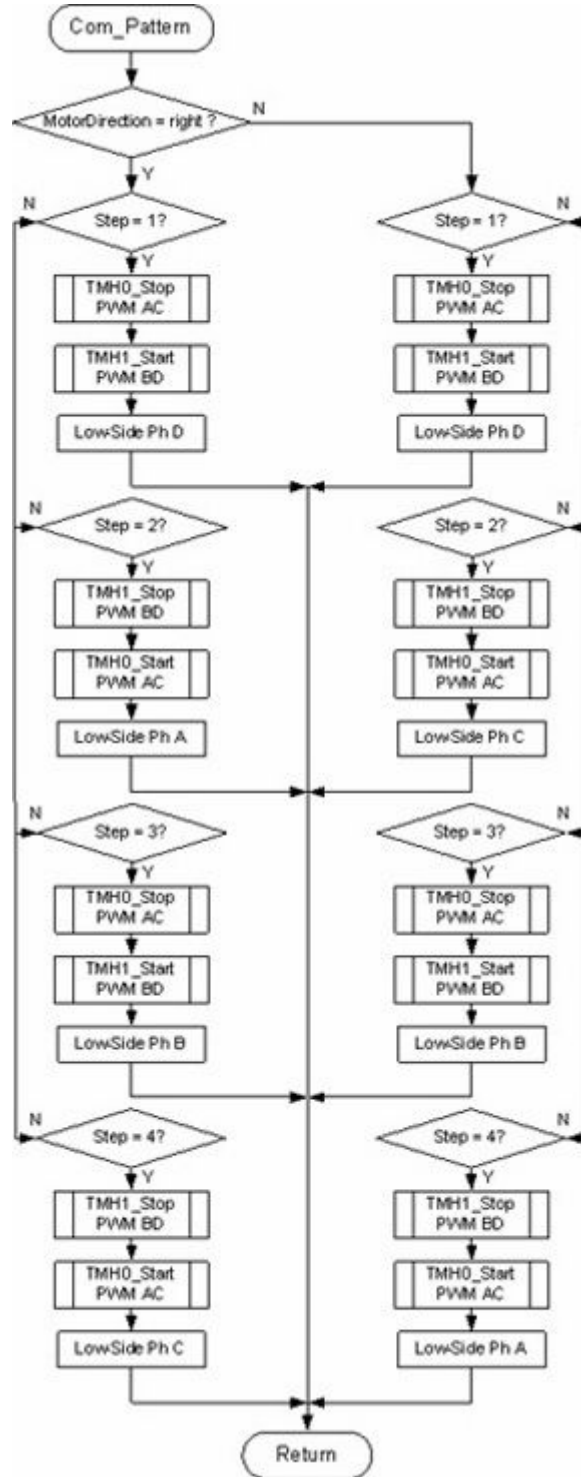


Figure 6-27 Commutation Pattern

## 6.11 Speed Calculation

Figure 6-28 shows the Speed Calculation flow chart.

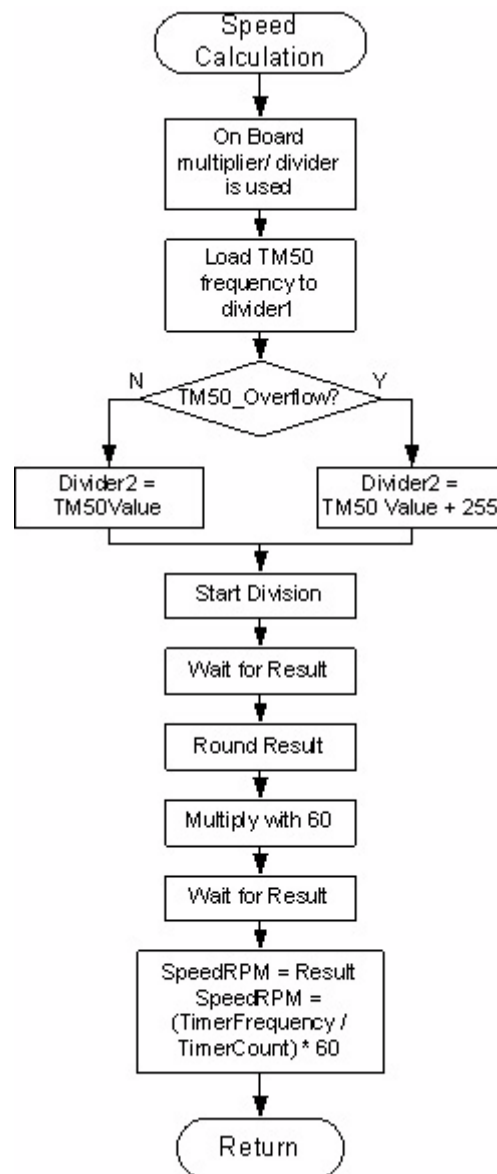


Figure 6-28 Speed Calculation

## 6.12 Get ordered Speed

A Potentiometer is used to get the ordered speed. *Figure 6-29* shows the flow chart.

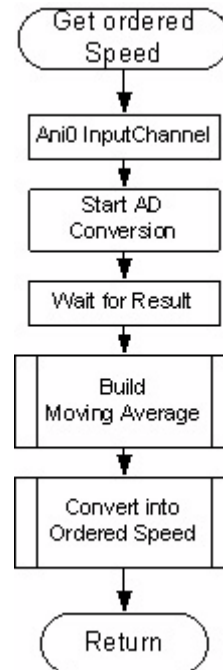


Figure 6-29 Get ordered Speed



### 6.13 PI-Regulator

Figure 6-30 shows the function flow of the implemented PI-Regulator in the system.



Figure 6-30 PI-Regulator

## 6.14 Ramp Down

Figure 6-31 shows the Ramp Down flow chart.

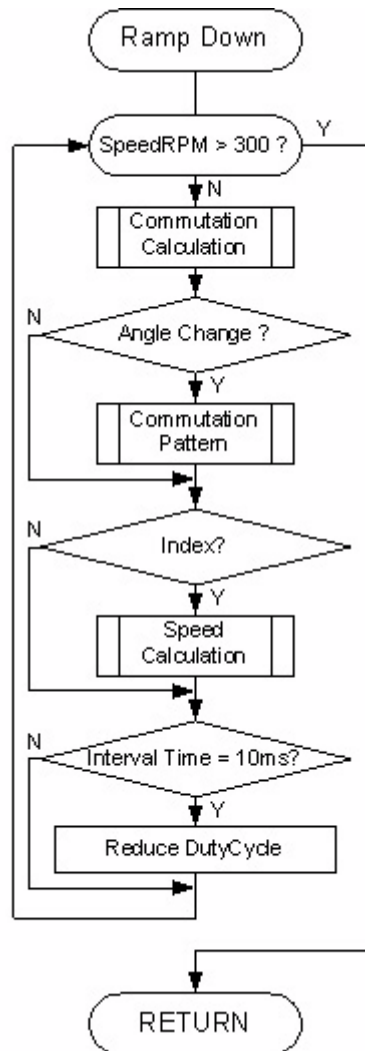


Figure 6-31 Ramp Down