
RL78/G1G

R01AN3880EJ0100

Rev. 1.00

June 30, 2017

Timer Array Unit (Interval Timer) CC-RL

Introduction

This application note describes the interval timer function of the timer array unit (TAU). This unit inverts the LED indication each time a timer interrupt occurs. Also, it changes the timer interrupt cycle time based on the number of times the switch is pressed.

Target Device

RL78/G1G

When applying the sample program covered in this application note to another microcomputer, modify the program according to the specifications for the target microcomputer and conduct an extensive evaluation of the modified program.

Contents

1. Specifications	3
2. Operation Check Conditions	5
3. Related Application Note	5
4. Description of the Hardware	6
4.1 Hardware Configuration Example	6
4.2 List of Pins to be Used	6
5. Description of the Software	7
5.1 Operation Outline	7
5.2 List of Option Byte Settings	8
5.3 List of Constants	8
5.4 List of Variables	8
5.5 List of Functions	9
5.6 Function Specifications	9
5.7 Flowcharts	11
5.7.1 Initialization Function	11
5.7.2 System Function	12
5.7.3 I/O Port Setup	13
5.7.4 CPU Clock Setup	14
5.7.5 Timer Array Unit Setup	15
5.7.6 INTP0 Initialization	22
5.7.7 Main Processing	23
5.7.8 Main initializes settings	24
5.7.9 INTP0 Operation Start	25
5.7.10 Timer Array Unit 0 Operation Start	26
5.7.11 INTTM00 Interrupt Processing	28
5.7.12 LED Turn-On/Off Processing	29
5.7.13 INTP0 Interrupt Processing	30
6. Sample Code	32
7. Documents for Reference	32

1. Specifications

This application note shows example settings for using timer interrupts (INTTM00) from the interval timer and interrupts (INTP0) generated on pin input edge detection. The TAU inverts the LED indication each time a timer interrupt (INTTM00) occurs. Also, this unit changes the timer interrupt (INTTM00) cycle time based on the number of times the switch (SW) is pressed.

Table 1.1 lists the peripheral functions to be used and their uses. Figure 1.1 shows the timer and its interrupt operation.

Table 1.1 Peripheral Functions to be Used and Their Uses

Peripheral Function	Use
Timer array unit (channel 0)	Time interval control for inversion of the P41 pin output (LED indication)
P41	Output port for LED indications
P137/INTP0	Switch input for changing the timer interrupt (INTTM00) cycle time

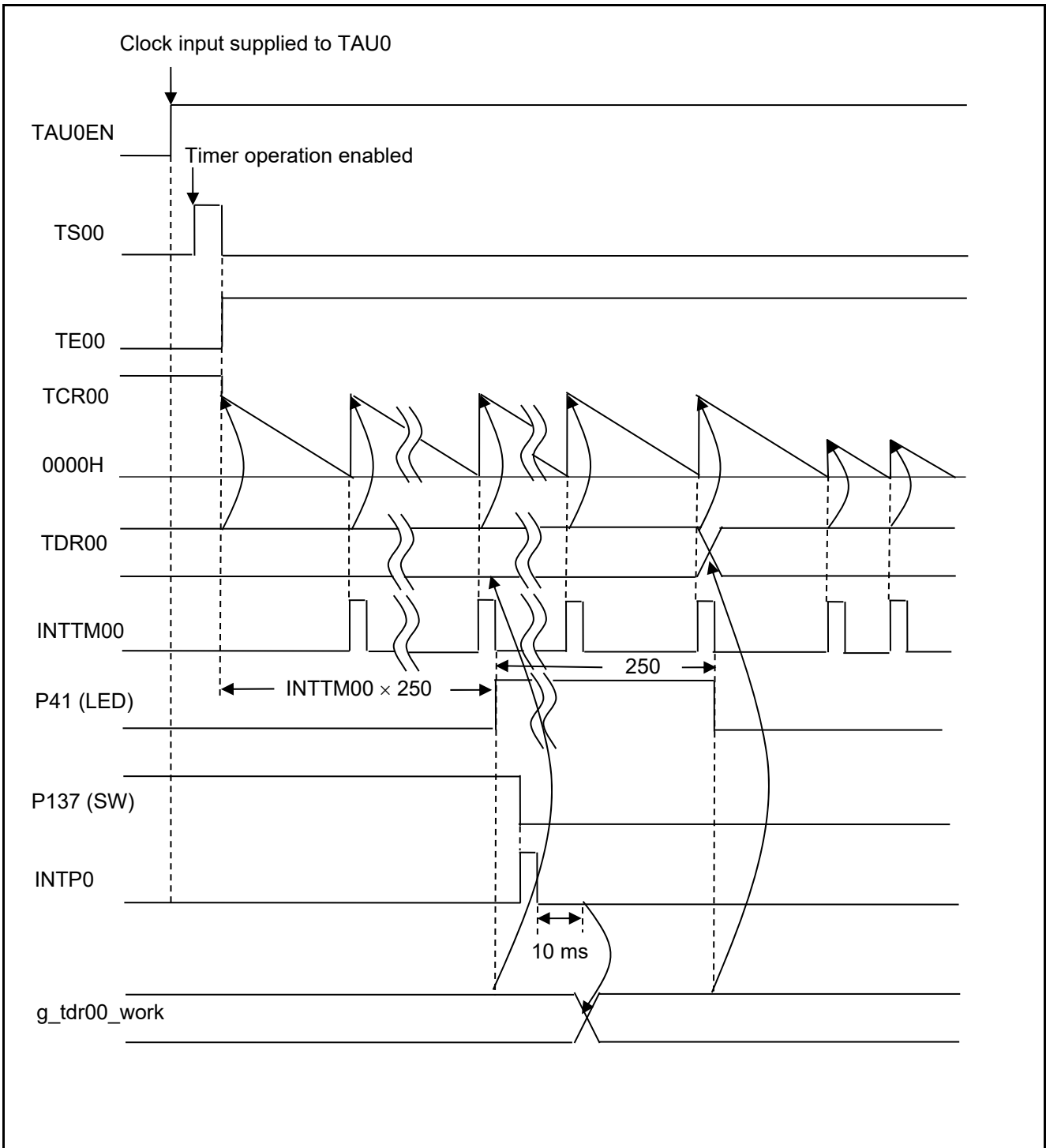


Figure 1.1 Overview of Timer Operation and Interrupts

2. Operation Check Conditions

The sample code contained in this application note has been checked under the conditions listed in the table below.

Table 2.1 Operation Check Conditions

Item	Description
Microcontroller used	RL78/G1G (R5F11EFA)
Operating frequency	<ul style="list-style-type: none"> High-speed on-chip oscillator (HOCO) clock: 24 MHz CPU/peripheral hardware clock: 24 MHz
Operating voltage	5.0V (can run on a voltage range of 2.9 V to 5.5 V.) LVD operation (V_{LVD}): Reset mode 2.81 V (2.76 V to 2.87 V)
Integrated development environment (CS+)	CS+ for CC V4.01.00 from Renesas Electronics Corp.
C compiler (CS+)	CC-RL V1.03.00 from Renesas Electronics Corp.
Integrated development environment (e ² studio)	e ² studio V5.2.0.020 from Renesas Electronics Corp.
C compiler (e ² studio)	CC-RL V1.03.00 from Renesas Electronics Corp.

3. Related Application Note

The application note that is related to this application note is listed below for reference.

- RL78/G13 Timer Array Unit (Interval Timer) CC-RL (R01AN2576E) Application Note

4. Description of the Hardware

4.1 Hardware Configuration Example

Figure 4.1 shows an example of hardware configuration that is used for this application note.

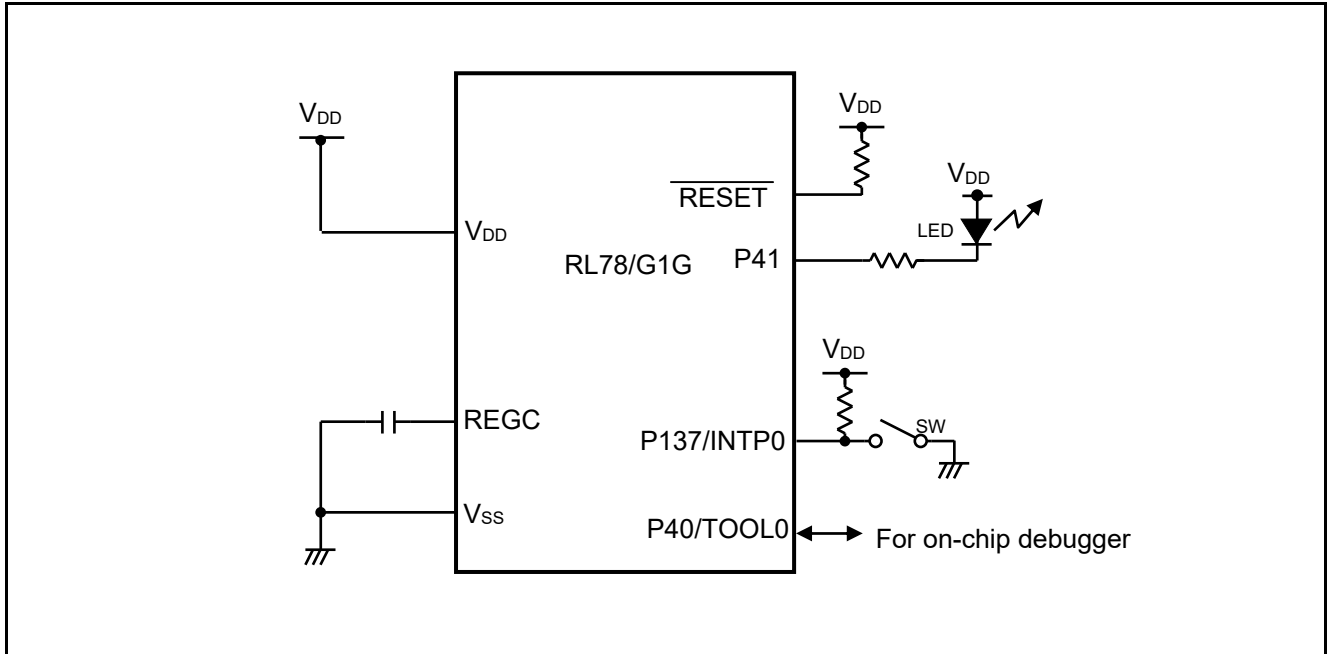


Figure 4.1 Hardware Configuration

- Cautions:
1. The purpose of this circuit is only to provide the connection outline and the circuit is simplified accordingly. When designing and implementing an actual circuit, provide proper pin treatment and make sure that the hardware's electrical specifications are met (connect the input-only ports separately to V_{DD} or V_{SS} via a resistor).
 2. V_{DD} must be held at not lower than the reset release voltage (V_{LVD}) that is specified as LVD.

4.2 List of Pins to be Used

Table 4.1 lists the pins to be used and their functions.

Table 4.1 Pins to be Used and Their Functions

Pin Name	I/O	Description
P41	Output	Output port for LED indications
P137/INTP0	Input	Switch (SW) input pin (external interrupt request input pin)

5. Description of the Software

5.1 Operation Outline

This application note describes how to set up the interval timer function of TAU0.

This setup is followed by operation for counting the number of timer interrupts (INTTM00) generated by the interval timer. Each time the count reaches 250, the LED indication is inverted. The timer interrupt (INTTM00) cycle time is changed according to the number of times the switch is pressed. The LED on/off cycle time is changed as follows.

500 ms → 250 ms → 125 ms → 62.5 ms → 500 ms → ...

(1) Initialize the TAU.

- Use the interval timer mode as the timer operation mode.
- Initialize timer data register 00 (TDR00) to 2 ms.
- Set the timer output enable register to disable operation.
- Use timer interrupts (INTTM00) from timer channel 0.

(2) Initialize the external edge detection interrupt.

- Select a falling edge as the valid edge for INTP0.
- Use INTP0 interrupts.

(3) Execute a HALT instruction to wait for timer interrupts (INTTM00).

(4) After the HALT mode is cancelled by a timer interrupt (INTTM00), the number of INTTM00 interrupts generated is counted.

(5) When the timer interrupt count reaches 250, the LED indication is inverted. The value (g_tdr00_work) in RAM for the timer data register is set in the timer data register (TDR00).

(6) INTP0 interrupt processing changes the switch input count (INTP0 interrupt count) and g_tdr00_work value.

5.2 List of Option Byte Settings

Table 5.1 summarizes the settings of the option bytes.

Table 5.1 Option Byte Settings

Address	Value	Description
000C0H/010C0H	01101110B	Disables the watchdog timer. (Stops counting after the release from the reset state.)
000C1H/010C1H	01111111B	LVD reset mode, 2.81 V (2.76 V to 2.87 V)
000C2H/010C2H	11100000B	HS mode, HOCO: 24 MHz
000C3H/010C3H	10000100B	Enables the on-chip debugger.

5.3 List of Constants

Table 5.2 lists the constants that are used in this sample program.

Table 5.2 Constants for the Sample Program

Constant	Setting	Description
<code>_01_INTP0_EDGE_FALLING_SEL</code>	01h	Selects a falling edge as the valid edge of INTP0.
<code>g_tdr00_data[]</code>	(64000-1) (32000-1) (16000-1) (8000-1)}	TDR00 settings by number of times the switch is pressed
<code>g_10ms_count[]</code>	(5+1) (10+1) (20+1) (40+1)	10 ms timer count values by number of times the switch is pressed

5.4 List of Variables

Table 5.3 lists the global variable that is used by this sample program.

Table 5.3 Global Variables for the Sample Program

Type	Variable Name	Contents	Function Used
<code>__saddr uint8_t</code>	<code>g_sw_counter</code>	Switch press count	<code>r_intc0_interrupt()</code> <code>main()</code> <code>r_invert_led()</code>
<code>__saddr uint16_t</code>	<code>g_tdr00_work</code>	Value which is set in TDR00 each time the timer interrupt count reaches 250.	<code>r_intc0_interrupt()</code> <code>main()</code> <code>r_invert_led()</code>
<code>__saddr uint8_t</code>	<code>g_inttm00counter</code>	The number of timer interrupt generation	<code>main()</code> <code>r_invert_led()</code>

5.5 List of Functions

Table 5.4 lists the functions that are used by this sample program.

Table 5.4 Functions

Function Name	Outline
R_TAU0_Channel0_Start	Starts operation of TAU0 channel 0.
r_tau0_channel0_interrupt	Processes timer interrupts on TAU0 channel 0.
r_invert_led	Counts the number of INTTM00 interrupts generated. Inverts the LED indication each time the interrupt count reaches 250.
R_INTC0_Start	Enables INTP0 interrupts.
r_intc0_interrupt	Processes INTP0 interrupts.

5.6 Function Specifications

This section describes the specifications for the functions that are used in the sample code.

[Function Name] R_TAU0_Channel0_Start

Synopsis	TAU0 channel 0 operation start
Header	r_cg_macrodriver.h r_cg_tau.h r_cg_userdefine.h
Declaration	void R_TAU0_Channel0_Start(void)
Explanation	This function unmask TAU0 channel 0 interrupts and starts count operation.
Arguments	None
Return value	None
Remarks	None

[Function Name] r_tau0_channel0_interrupt

Synopsis	TAU0 channel 0 timer interrupt processing
Header	r_cg_macrodriver.h r_cg_tau.h r_cg_userdefine.h
Declaration	static void __near r_tau0_channel0_interrupt(void)
Explanation	This function calls the function which will invert the LED indication.
Arguments	None
Return value	None
Remarks	None

[Function Name] r_invert_led

Synopsis	LED indication inversion processing
Header	r_cg_macrodriver.h r_cg_cgc.h r_cg_port.h r_cg_intp.h r_cg_tau.h r_cg_userdefine.h
Declaration	void r_invert_led(void)
Explanation	This function counts 250 timer interrupts (INTTM00) and then inverts the LED indication (for port latch inversion). It also changes the TDR00 setting to the value specified with g_tdr00_work.
Arguments	None
Return value	None
Remarks	None

[Function Name] R_INTC0_Start

Synopsis	INTP0 interrupt enable
Header	r_cg_intp.h
Declaration	void R_INTC0_Start(void)
Explanation	This function clears the interrupt request flag. It enables INTP0 interrupts and starts taking in the switch input.
Arguments	None
Return value	None
Remarks	None

[Function Name] r_intc0_interrupt

Synopsis	INTP0 interrupt processing
Header	r_cg_macrodriver.h r_cg_intp.h r_cg_userdefine.h
Declaration	static void __near r_intc0_interrupt(void)
Explanation	This function processes INTP0 interrupts as they occur. It waits 10 ms and then scans P13.7 (SW input pin). When the switch is pressed, this function changes the g_tdr00_work value.
Arguments	None
Return value	None
Remarks	None

5.7 Flowcharts

Figure 5.1 shows the overall flow of the sample program described in this application note.

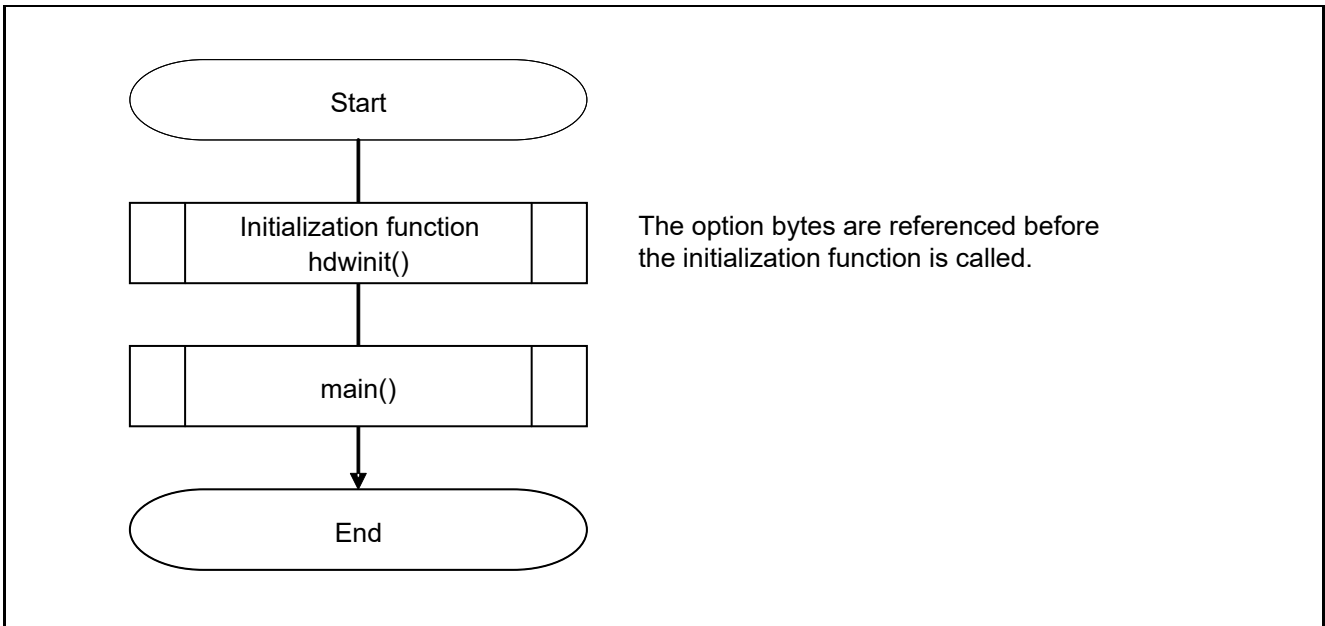


Figure 5.1 Overall Flow

Note: Startup routine is executed before and after the initialization function.

5.7.1 Initialization Function

Figure 5.2 shows the flowchart for the initialization function.

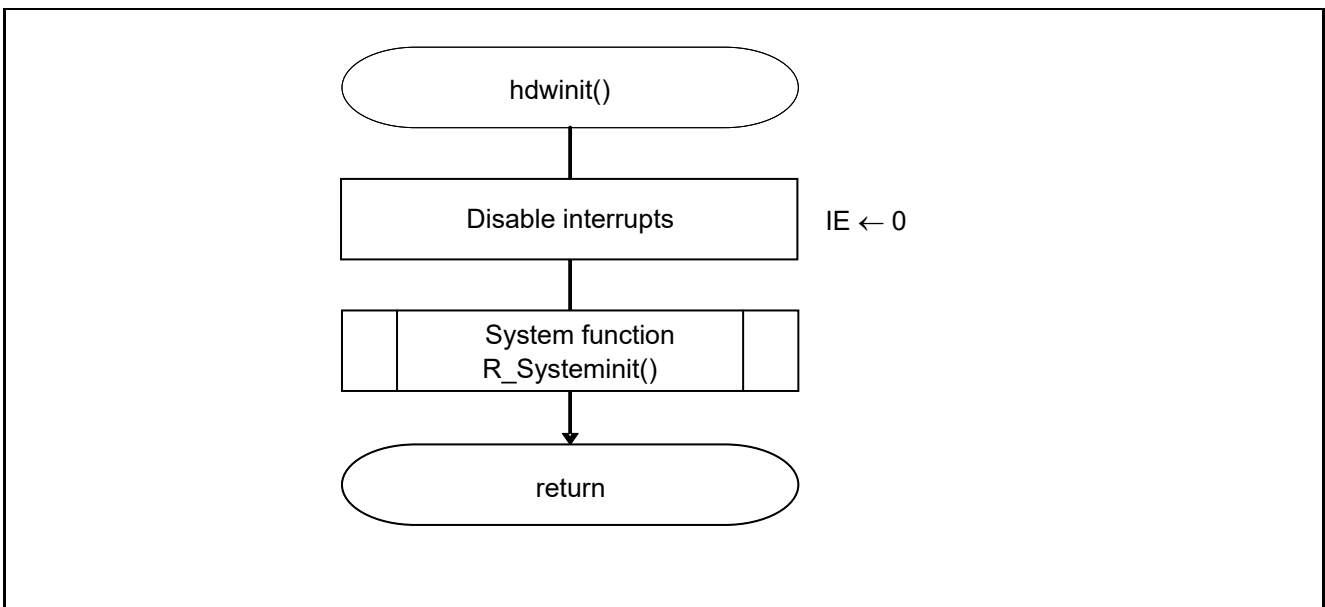


Figure 5.2 Initialization Function

5.7.2 System Function

Table 5.3 shows the flowchart for the system function.

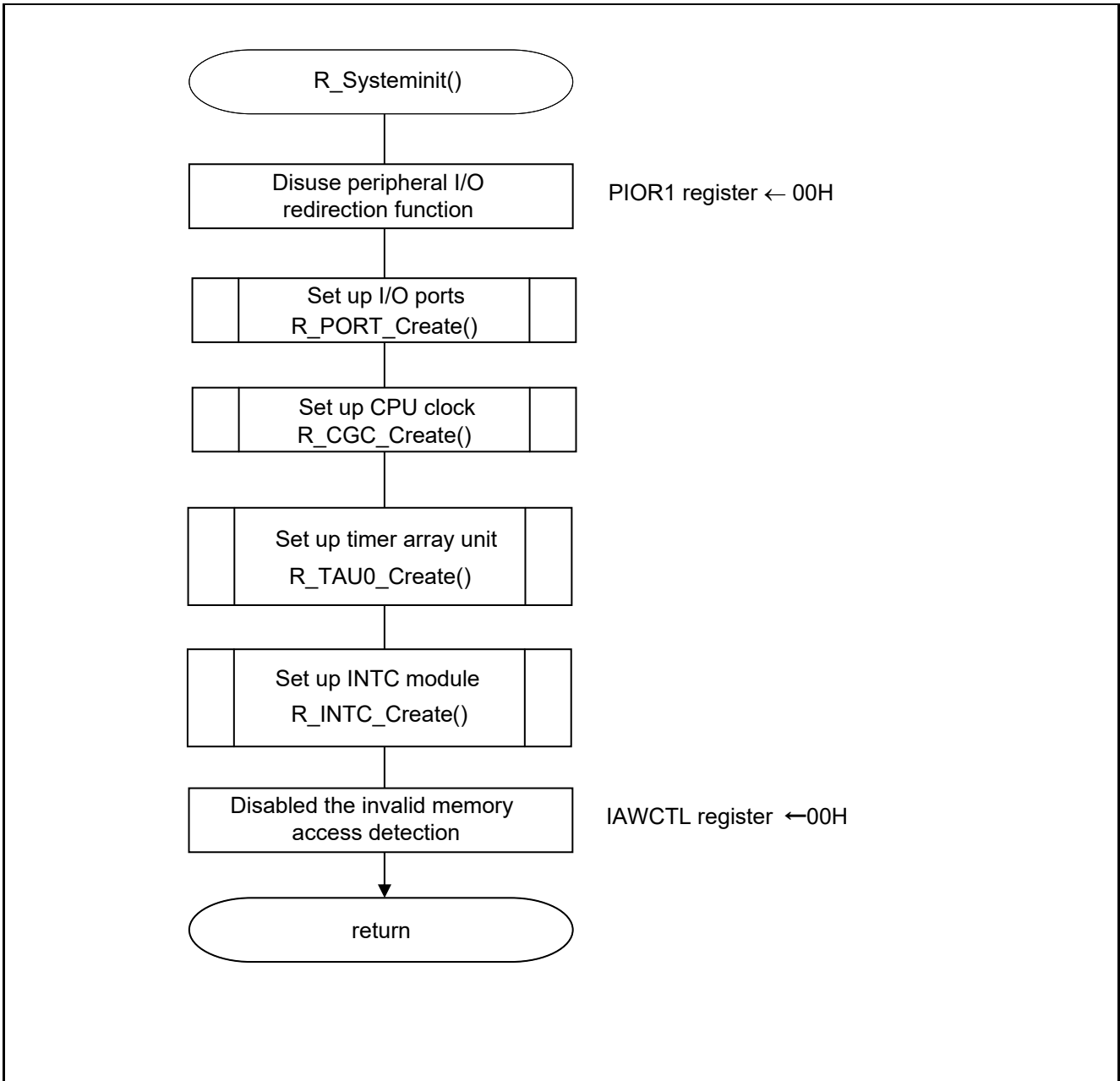


Figure 5.3 System Function

5.7.3 I/O Port Setup

Table 5.4 shows the flowchart for I/O port setup.

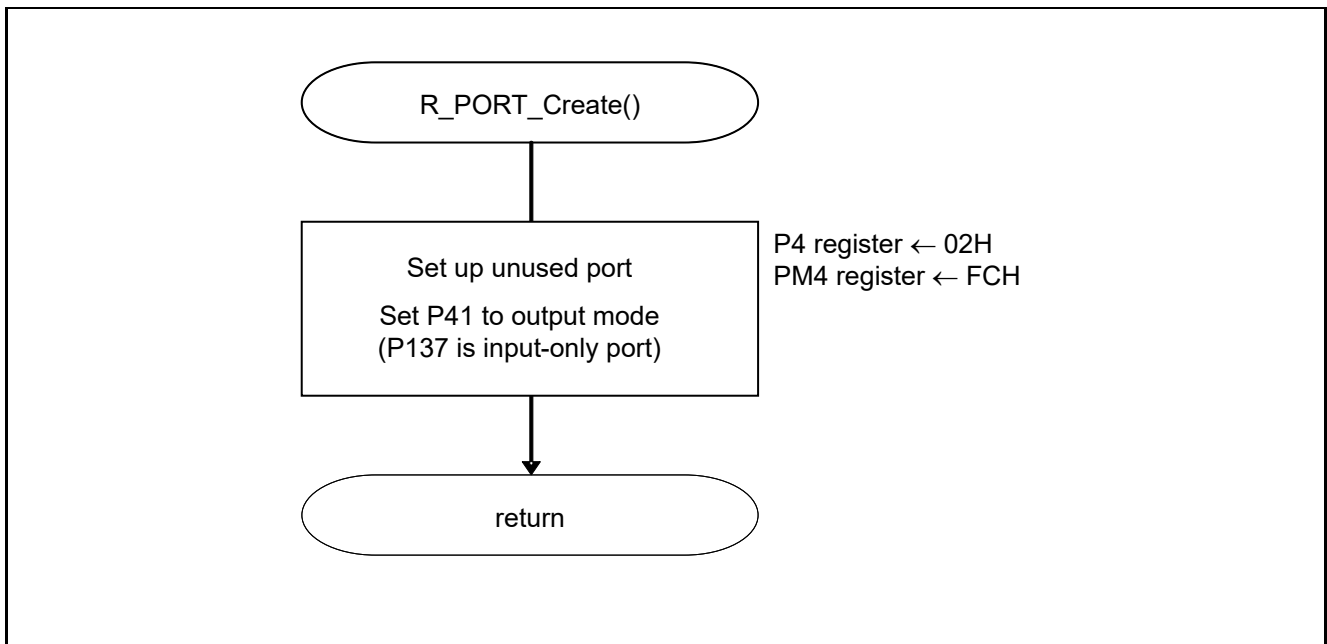


Figure 5.4 I/O Port Setup

Note: Refer to RL78/G1G User’s Manual: Hardware for the configuration of the unused ports.

Caution: Provide proper treatment for unused pins so that their electrical specifications are observed. Connect each of any unused input-only ports to V_{DD} or V_{SS} via a separate resistor.

Setting up the LED port

- Port mode register 4 (PM4)
Select I/O mode for the port.

Symbol: PM4

7	6	5	4	3	2	1	0
1	1	1	1	1	1	PM41	PM40
1	1	1	0	0	0	0	0

Bit 1

PM41	P41 pin I/O mode selection
0	Output mode (output buffer on)
1	Input mode (output buffer off)

Caution: For details on the register setup procedures, refer to RL78/G1G User's Manual: Hardware.

5.7.4 CPU Clock Setup

Figure 5.5 shows the flowchart for setting up the CPU clock.

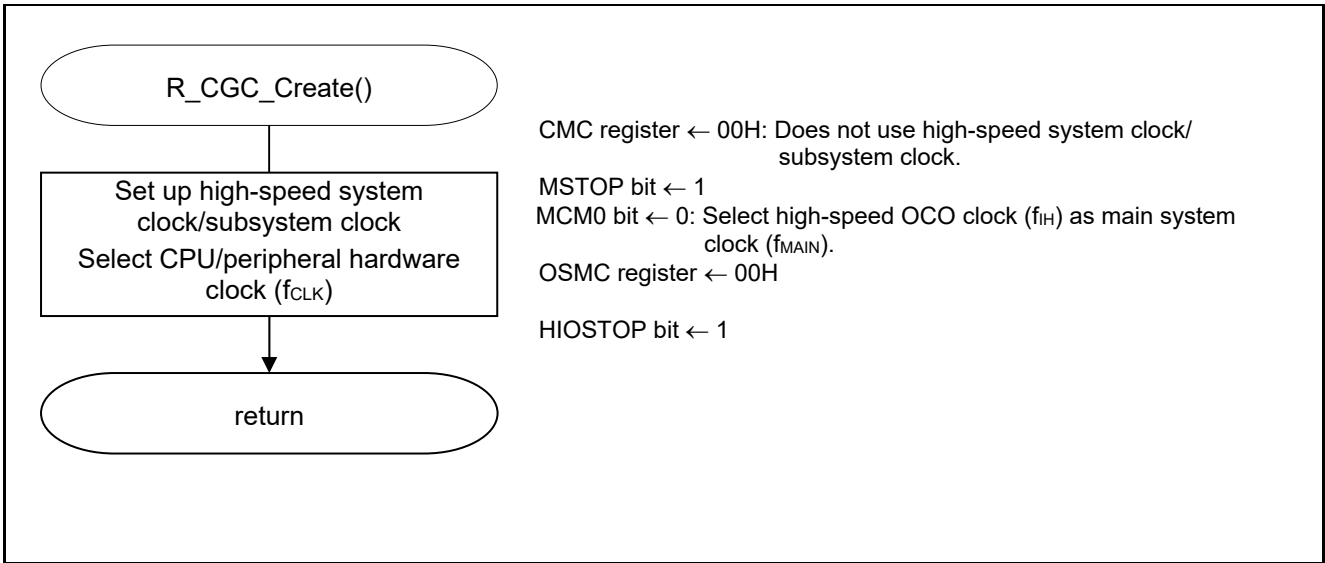


Figure 5.5 CPU Clock Setup

Caution: For details on the procedure for setting up the CPU clock (R_CGC_Create ()), refer to RL78/G1G User’s Manual: Hardware.

5.7.5 Timer Array Unit Setup

Figure 5.6 shows the flowchart for setting up the timer array unit.

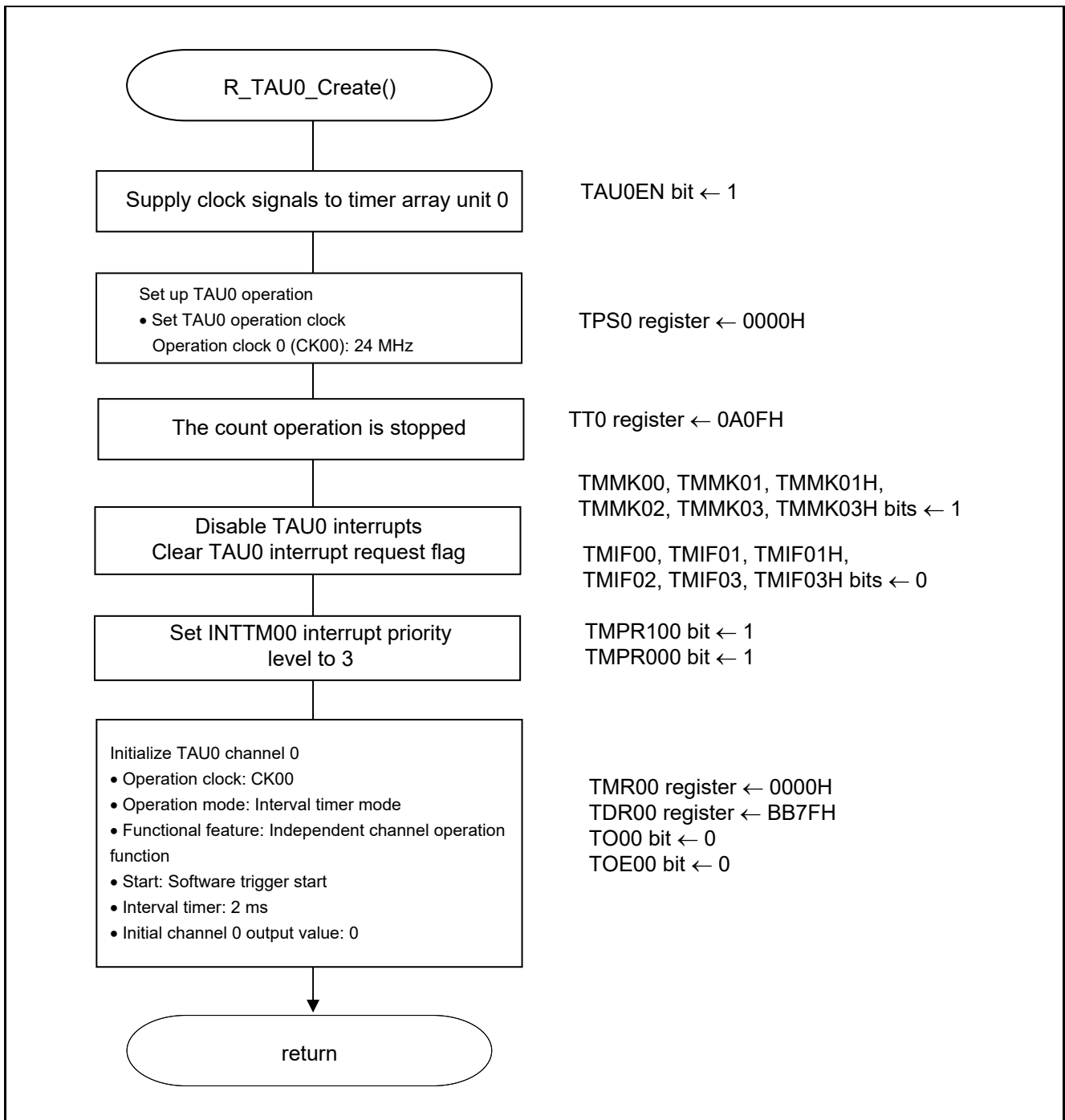


Figure 5.6 Timer Array Unit Setup

Starting clock signal supply to the timer array unit 0

- Peripheral enable register 0 (PER0)
Start supplying clock signals to the timer array unit 0.

Symbol: PER0

7	6	5	4	3	2	1	0
0	0	ADCEN	0	0	SAU0EN	0	TAU0EN
0	0	x	0	0	x	0	1

Bit 0

TAU0EN	Control of timer array unit 0 input clock supply
0	Stops input clock supply.
1	Enables input clock supply.

Caution: For details on the register setup procedures, refer to RL78/G1G User's Manual: Hardware.

Configuring the timer clock frequency

- Timer clock select register 0 (TPS0)
Select an operation clock for timer array unit 0.

Symbol: TPS0

15	14	13	12	11	10	9	8	7	6	5	4	3	2	1	0
0	0	PRS 031	PRS 030	0	0	PRS 021	PRS 020	PRS 013	PRS 012	PRS 011	PRS 010	PRS 003	PRS 002	PRS 001	PRS 000
x	x	x	x	x	x	x	x	x	x	x	x	0	0	0	0

Bits 3 to 0

PRS 003	PRS 002	PRS 001	PRS 000	Operation clock (CK00) selection				
				f_{CLK} 2 MHz	f_{CLK} 5 MHz	f_{CLK} 10 MHz	f_{CLK} 20 MHz	
0	0	0	0	f_{CLK}	2 MHz	5 MHz	10 MHz	20 MHz
0	0	0	1	$f_{CLK}/2$	1 MHz	2.5 MHz	5 MHz	10 MHz
0	0	1	0	$f_{CLK}/2^2$	500 kHz	1.25 MHz	2.5 MHz	5 MHz
0	0	1	1	$f_{CLK}/2^3$	250 kHz	625 kHz	1.25 MHz	2.5 MHz
0	1	0	0	$f_{CLK}/2^4$	125 kHz	312.5 kHz	625 kHz	1.25 MHz
0	1	0	1	$f_{CLK}/2^5$	62.5 kHz	156.2 kHz	312.5 kHz	625 kHz
0	1	1	0	$f_{CLK}/2^6$	31.3 kHz	78.1 kHz	156.2 kHz	312.5 kHz
0	1	1	1	$f_{CLK}/2^7$	15.6 kHz	39.1 kHz	78.1 kHz	156.2 kHz
1	0	0	0	$f_{CLK}/2^8$	7.81 kHz	19.5 kHz	39.1 kHz	78.1 kHz
1	0	0	1	$f_{CLK}/2^9$	3.91 kHz	9.76 kHz	19.5 kHz	39.1 kHz
1	0	1	0	$f_{CLK}/2^{10}$	1.95 kHz	4.88 kHz	9.76 kHz	19.5 kHz
1	0	1	1	$f_{CLK}/2^{11}$	977 Hz	2.44 kHz	4.88 kHz	9.76 kHz
1	1	0	0	$f_{CLK}/2^{12}$	488 Hz	1.22 kHz	2.44 kHz	4.88 kHz
1	1	0	1	$f_{CLK}/2^{13}$	244 Hz	610 Hz	1.22 kHz	2.44 kHz
1	1	1	0	$f_{CLK}/2^{14}$	122 Hz	305 Hz	610 Hz	1.22 kHz
1	1	1	1	$f_{CLK}/2^{15}$	61.0 Hz	153 Hz	305 Hz	610 Hz

Caution: For details on the register setup procedures, refer to RL78/G1G User's Manual: Hardware.

Setting up channel 0 operation mode

- Timer mode register 00 (TMR00)
 - Select an operation clock (f_{MCK}).
 - Select a count clock.
 - Select the software trigger start.
 - Set up the operation mode.

Symbol: TMR00

15	14	13	12	11	10	9	8	7	6	5	4	3	2	1	0
CKS001	CKS000	0	CCS00	0	STS002	STS001	STS000	CIS001	CIS000	0	0	MD003	MD002	MD001	MD000
0	0	0	0	0	0	0	0	0	0	0	0	0	0	0	0

Bits 15 and 14

CKS001	CKS000	Channel 0 operation clock (f_{MCK}) selection
0	0	Operation clock CK00 set by timer clock select register 0 (TPS0)
0	1	Operation clock CK02 set by timer clock select register 0 (TPS0)
1	0	Operation clock CK01 set by timer clock select register 0 (TPS0)
1	1	Operation clock CK03 set by timer clock select register 0 (TPS0)

Bit 12

CCS00	Channel 0 count clock (f_{CLK}) selection
0	Operation clock (f_{MCK}) specified by the CKS000 and CKS001 bits
1	Valid edge of input signal input from the TI00 pin

Bit 11

MASTER00	Selection between using channel 0 independently or simultaneously with another channel (as a slave or master)
0	Operates in independent channel operation function or as slave channel in simultaneous channel operation function.
1	Operates as master channel in simultaneous channel operation function.

Caution: For details on the register setup procedures, refer to RL78/G1G User's Manual: Hardware.

Symbol: TMR00

15	14	13	12	11	10	9	8	7	6	5	4	3	2	1	0
CKS001	CKS000	0	CCS00	0	STS002	STS001	STS000	CIS001	CIS000	0	0	MD003	MD002	MD001	MD000
0	0	0	0	0	0	0	0	0	0	0	0	0	0	0	0

Bits 10 to 8

STS002	STS001	STS000	Setting of start trigger or capture trigger of channel 0
0	0	0	Only software trigger start is valid (other trigger sources are unselected).
0	0	1	Valid edge of the TI00 pin input is used as both the start trigger and capture trigger.
0	1	0	Both the edges of the TI00 pin input are used as a start trigger and a capture trigger.
1	0	0	Interrupt signal of the master channel is used (when the channel is used as a slave channel with the simultaneous channel operation function).
Other than above			Setting prohibited

Bits 7 to 6

CIS001	CIS000	Selection of TI00 pin input valid edge
0	0	Falling edge
0	1	Rising edge
1	0	Both edges (when low-level width is measured) Start trigger: Falling edge, Capture trigger: Rising edge
1	1	Both edges (when high-level width is measured) Start trigger: Rising edge, Capture trigger: Falling edge

Caution: For details on the register setup procedures, refer to RL78/G1G User's Manual: Hardware.

Symbol: TMR00

15	14	13	12	11	10	9	8	7	6	5	4	3	2	1	0
CKS001	CKS000	0	CCS00	0	STS002	STS001	STS000	CIS001	CIS000	0	0	MD003	MD002	MD001	MD000
0	0	0	0	0	0	0	0	0	0	0	0	0	0	0	0

Bits 3 to 0

MD003	MD002	MD001	MD000	Operation mode of channel 0	Related function	TCR counting operation
0	0	0	1/0	Interval timer mode	Interval timer / Square wave output / Divider function / PWM output (master)	Counting down
0	1	0	1/0	Capture mode	Input pulse interval measurement	Counting up
0	1	1	0	Event counter mode	External event counter	Counting down
1	0	0	1/0	One-count mode	Delay counter / One-shot pulse output / PWM output (slave)	Counting down
1	1	0	0	Capture & one-count mode	Measurement of high-/low-level width of input signal	Counting up
Other than above				Setting prohibited		

The MD000 bit operation varies depending on the operation mode (see the table below)

Operation mode (selected with MD003 to MD001) (See the table above)	MD000	TCR counting operation
<ul style="list-style-type: none"> Interval timer mode (0, 0, 0) Capture mode (0, 1, 0) 	0	Timer interrupt is not generated when counting is started (timer output does not change, either).
	1	Timer interrupt is generated when counting is started (timer output also changes).
<ul style="list-style-type: none"> Event counter mode (0, 1, 1) 	0	Timer interrupt is not generated when counting is started (timer output does not change, either).
<ul style="list-style-type: none"> One-count mode (1, 0, 0) 	0	Start trigger is invalid during counting operation. At that time, interrupt is not generated, either.
	1	Start trigger is valid during counting operation. At that time, interrupt is also generated.
<ul style="list-style-type: none"> Capture/one-count mode (1, 1, 0) 	0	Timer interrupt is not generated when counting is started (timer output does not change, either). Start trigger is invalid during counting operation. At that time, interrupt is not generated, either.
Other than above		Setting prohibited

Caution: For details on the register setup procedures, refer to RL78/G1G User's Manual: Hardware.

Configuring the interval timer cycle time

- Timer data register 00 (TDR00)
Configure the interval timer compare value.

Symbol: TDR00

15	14	13	12	11	10	9	8	7	6	5	4	3	2	1	0

Timer interrupt (INTTM00) occurrence = (TDR00 setting + 1) × Count clock cycle time

Enabling the timer output

- Timer output enable register 0 (TOE0)
Enable/disable the timer output for each channel.

Symbol: TOE0

15	14	13	12	11	10	9	8	7	6	5	4	3	2	1	0
0	0	0	0	0	0	0	0	0	0	0	0	TOE03	TOE02	TOE01	TOE00
0	0	0	0	0	0	0	0	0	0	0	0	x	x	x	0

Bit 0

TOE00	Timer output enable/disable of channel 0
0	<p>The TO00 operation stopped by count operation (timer channel output bit). Writing to the TO00 bit is enabled.</p> <p>The TO00 pin function as data output, and it outputs the level set to the TO00 bit.</p> <p>The output level of the TO00 pin can be manipulated be software.</p>
1	<p>The TO00 operation enabled by count operation (timer channel output bit). Writing to the TO00 bit is disabled (writing is ignored).</p> <p>The TO00 pin functions as timer output, and the TOE00 bit is set or reset depending on the timer operation.</p> <p>The TO00 pin outputs the square-wave or PWM depending on the timer operation.</p>

Caution: For details on the register setup procedures, refer to RL78/G1G User's Manual: Hardware.

5.7.6 INTP0 Initialization

Figure 5.7 shows the flowchart for INTP0 initialization.

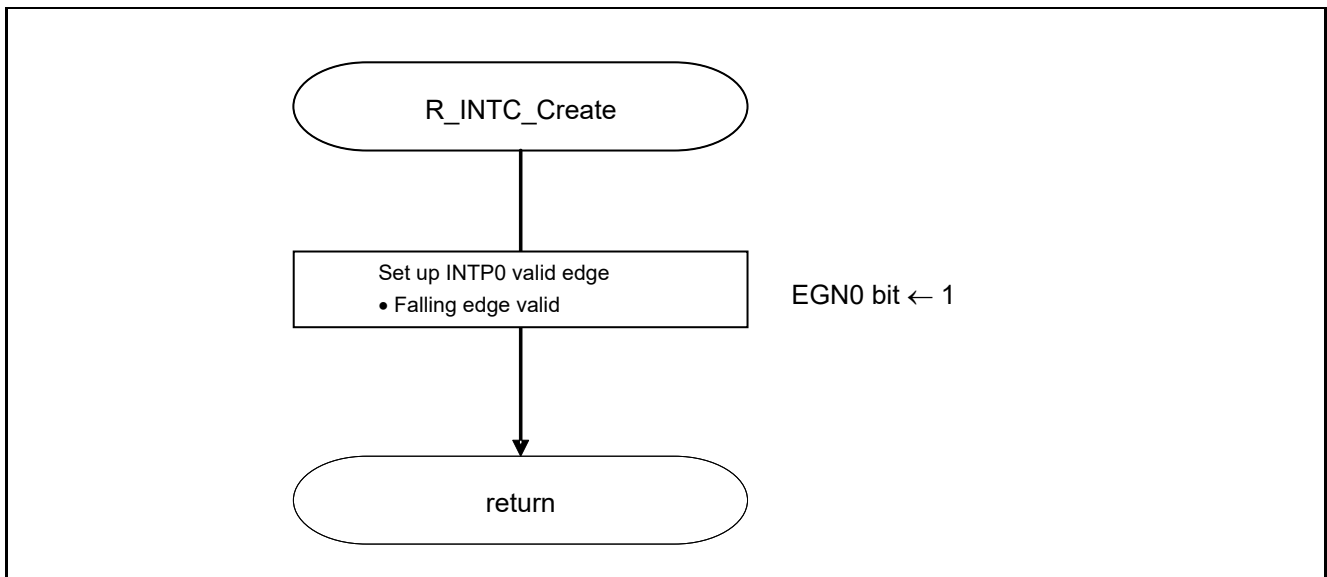


Figure 5.7 INTC Module Setup

Setup for INTP0 pin edge detection

- External interrupt rising edge enable register (EGP0)
 - External interrupt falling edge enable register (EGN0)
- Select a valid edge for INTP0

Symbol: EGP0

7	6	5	4	3	2	1	0
0	0	EGP5	EGP4	EGP3	EGP2	EGP1	EGP0
0	0	x	x	x	x	x	0

Symbol: EGN0

7	6	5	4	3	2	1	0
0	0	EGN5	EGN4	EGN3	EGN2	EGN1	EGN0
0	0	x	x	x	x	x	1

EGP0	EGN0	INTP0 pin valid edge selection
0	0	Edge detection disabled.
0	1	Falling edge
1	0	Rising edge
1	1	Both rising and falling edges

Caution: For details on the register setup procedures, refer to RL78/G1G User's Manual: Hardware.

5.7.7 Main Processing

Figure 5.8 shows the flowchart for main processing.

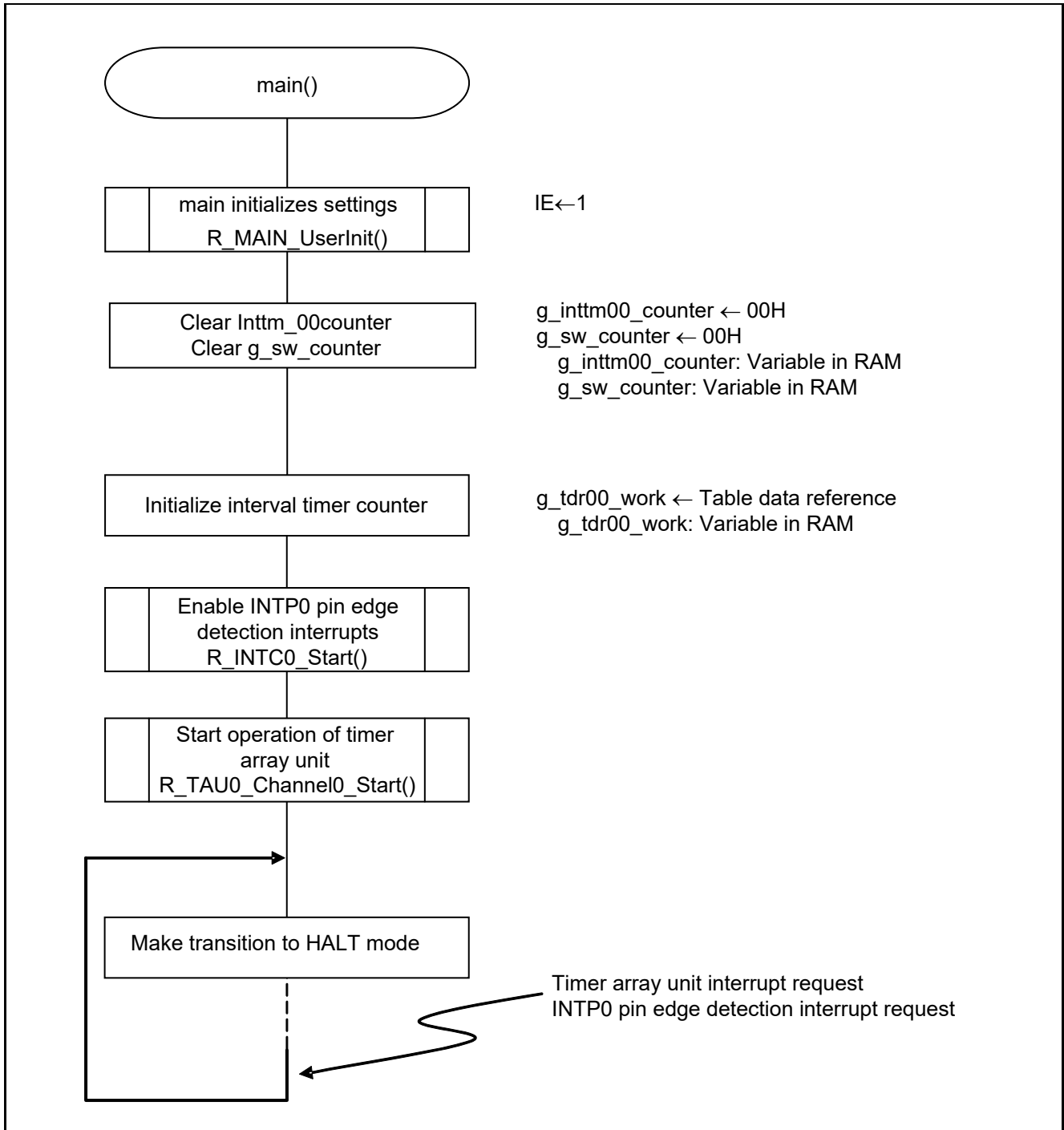


Figure 5.8 Main Processing

5.7.8 Main initializes settings

Figure 5.10 shows the flowchart for the main initializes settings.

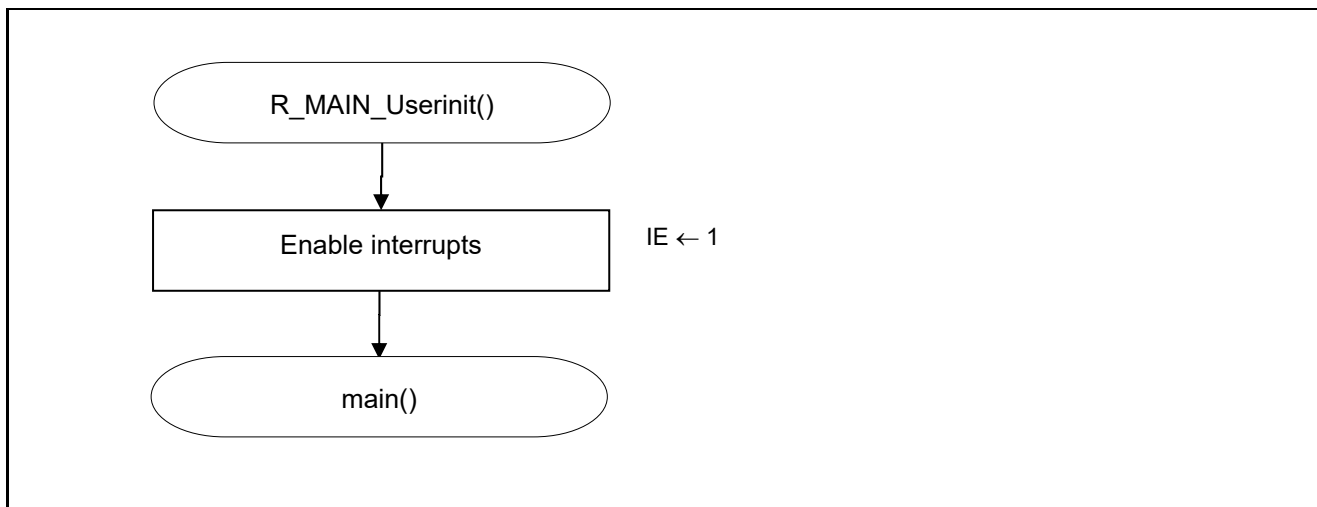


Figure 5.9 Main initializes settings

5.7.9 INTP0 Operation Start

Figure 5.10 shows the flowchart for starting INTP0 operation.

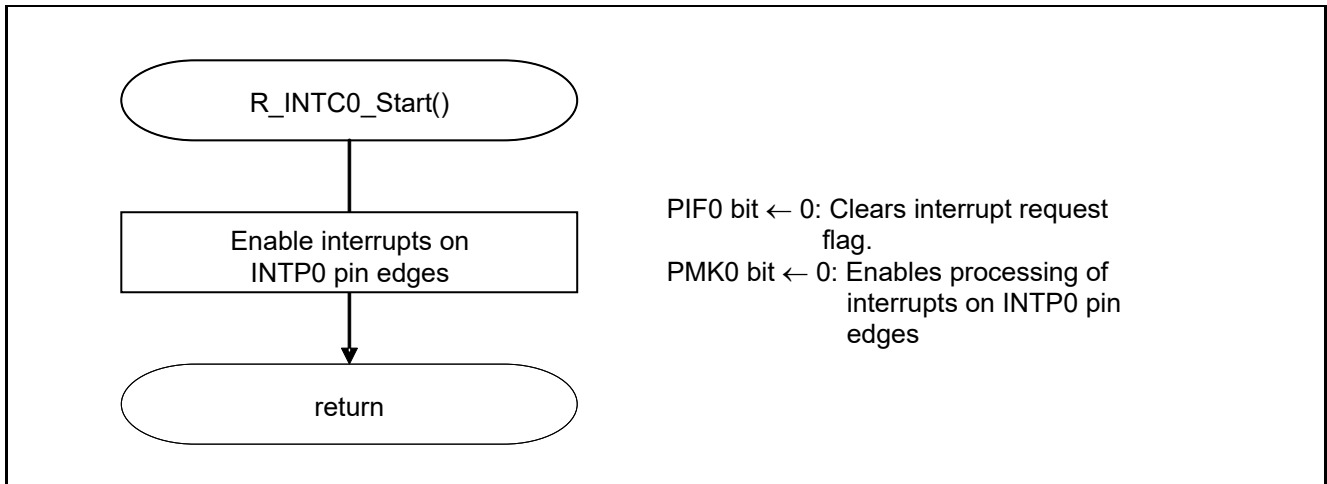


Figure 5.10 INTP0 Operation Start

Setup for INTP0 Interrupts

- Interrupt request flag register (IF0L)
Clear interrupt request flag.
- Interrupt mask flag register (MK0L)
Clear interrupt mask.

Symbol: IF0L

7	6	5	4	3	2	1	0
PIF5	PIF4	PIF3	PIF2	PIF1	PIF0	LVIIIF	WDTIIF
x	x	x	x	x	0	x	x

Bit 2

PIF0	Interrupt request flag
0	No interrupt request signal is generated
1	Interrupt request is generated, interrupt request status

Symbol: MK0L

7	6	5	4	3	2	1	0
PMK5	PMK4	PMK3	PMK2	PMK1	PMK0	LVIMK	WDTIMK
x	x	x	x	x	0	x	x

Bit 2

PMK0	Interrupt processing control
0	Enables interrupt processing.
1	Disables interrupt processing.

Caution: For detailed information about setting the registers, see RL78/G1G User’s Manual: Hardware.

5.7.10 Timer Array Unit 0 Operation Start

Figure 5.9 shows the flowchart for starting timer array unit operation.

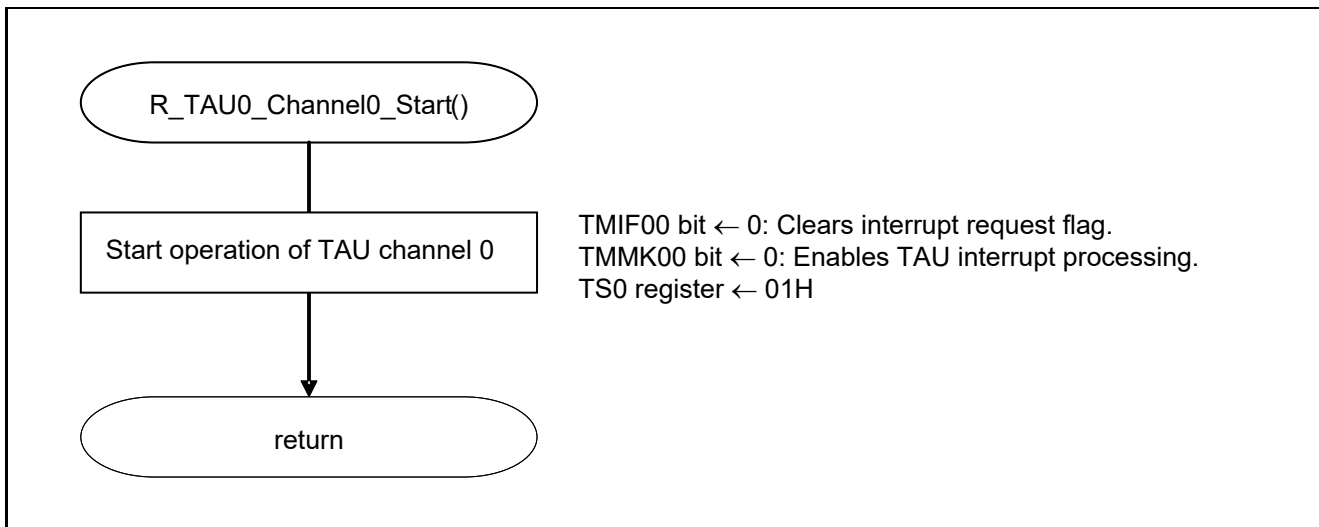


Figure 5.9 Timer Array Unit 0 Operation Start

Configuring the timer interrupt

- Interrupt request flag register (IF1L)
Clear the interrupt request flag.
- Interrupt mask flag register (MK1L)
Enable interrupt processing.

Symbol: IF1L

7	6	5	4	3	2	1	0
TMIF03	TMIF02	TMIF01	TMIF00	0	SREIF1 TMIF03H	SRIF1	STIF1
x	x	x	0	0	x	x	x

Bit 4

TMIF00	Interrupt request flag
0	No interrupt request signal is generated.
1	Interrupt request is generated, interrupt request status

Symbol: MK1L

7	6	5	4	3	2	1	0
TMMK03	TMMK02	TMMK01	TMMK00	0	SREMK1 TMMK03H	SRMK1	STMK1
x	x	x	0	0	x	x	x

Bit 4

TMMK00	Interrupt processing control
0	Enables interrupt processing.
1	Disables interrupt processing.

Caution: For details on the register setup procedures, refer to RL78/G1G User's Manual: Hardware.

5.7.11 INTTM00 Interrupt Processing

Figure 5.10 shows the flowchart for INTTM00 interrupt processing.

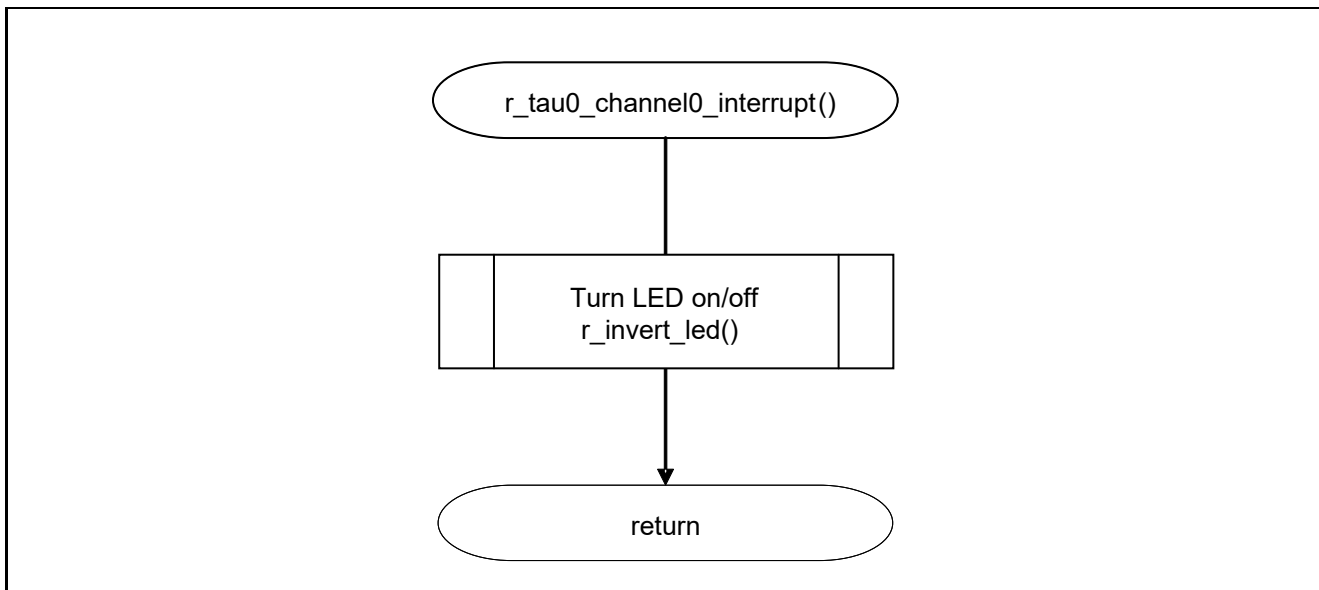


Figure 5.10 INTTM00 Interrupt Processing

5.7.12 LED Turn-On/Off Processing

Figure 5.113 shows the flowchart for LED turn-on/off processing.

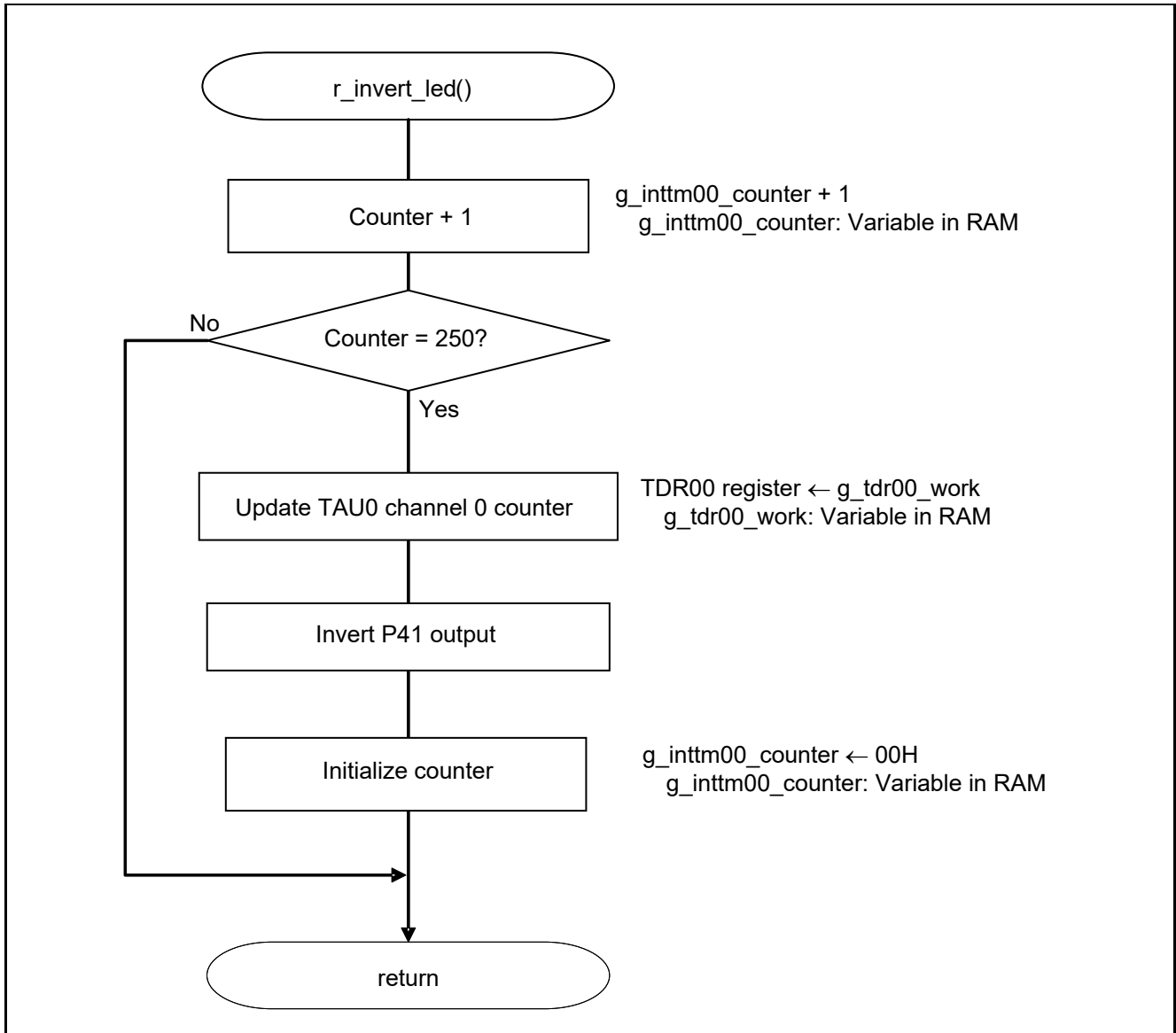


Figure 5.113 Checking Whether 500 ms Have Elapsed

5.7.13 INTP0 Interrupt Processing

Figures 5.14 and 5.15 show the flowchart for INTP0 interrupt processing.

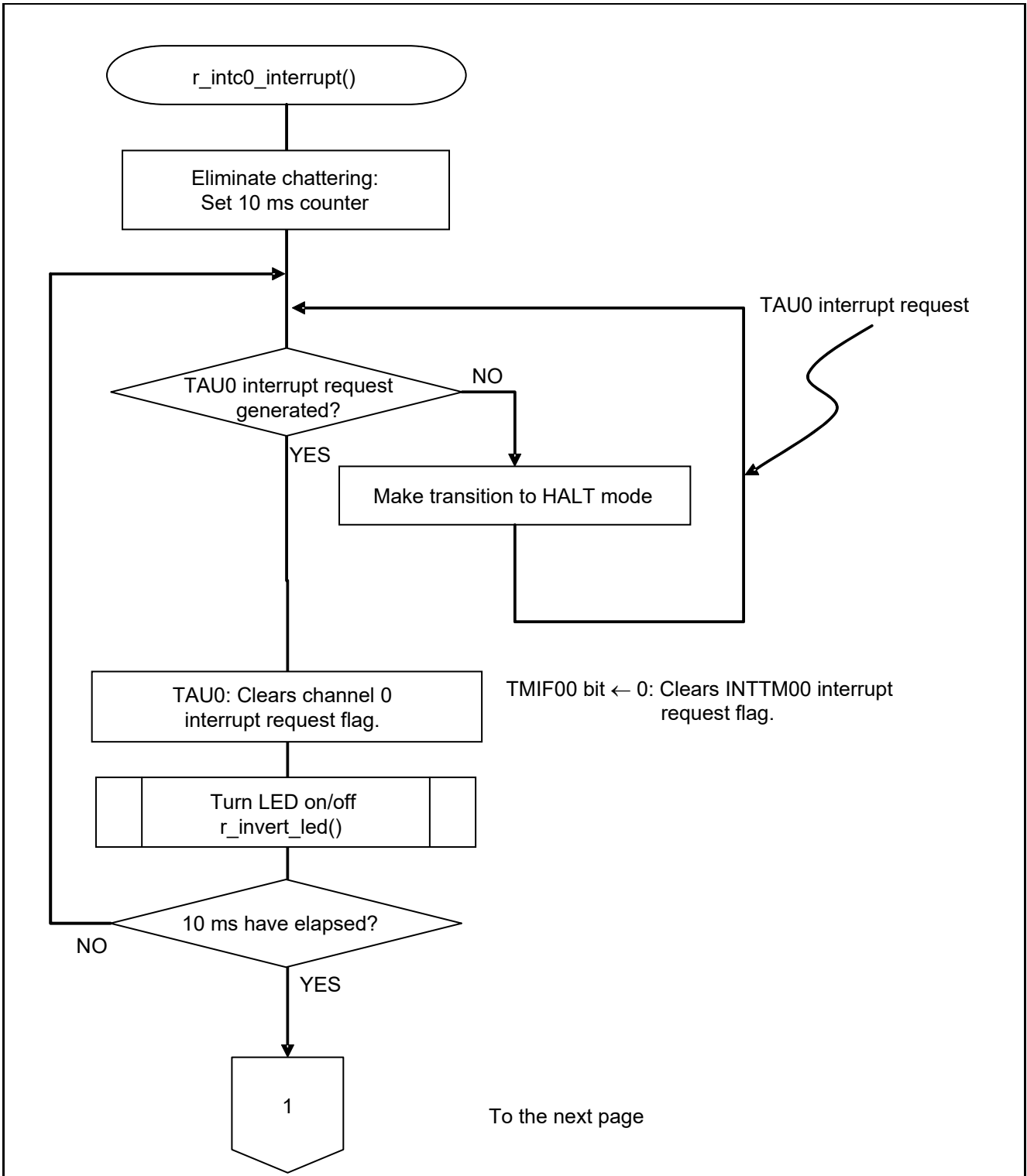


Figure 5.12 INTP0 Interrupt Processing (1/2)

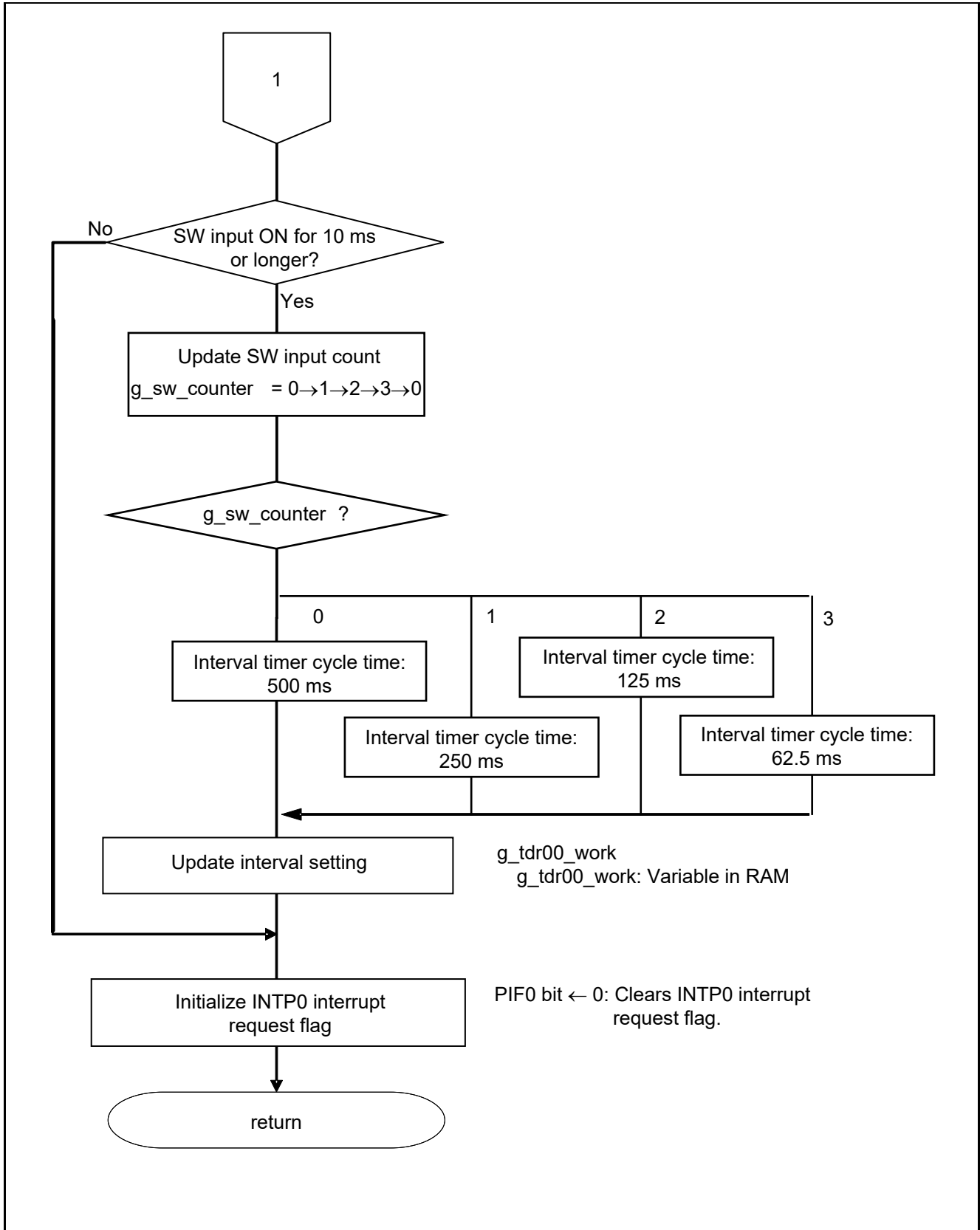


Figure 5.13 INTP0 Interrupt Processing (2/2)

6. Sample Code

The sample code is available on the Renesas Electronics Website.

7. Documents for Reference

User's Manual:

RL78/G1G User's Manual: Hardware (R01UH0499E)

RL78 Family User's Manual: Software (R01US0015E)

The latest version can be downloaded from the Renesas Electronics website.

Technical Updates/Technical News

The latest information can be downloaded from the Renesas Electronics website.

Website and Support

Renesas Electronics Website

<http://www.renesas.com/index.jsp>

Inquiries

<http://www.renesas.com/contact/>

REVISION HISTORY	RL78/G1G Timer Array Unit (Interval Timer) CC-RL
-------------------------	--

Rev.	Date	Description	
		Page	Summary
1.00	June 30, 2017	—	First edition issued

All trademarks and registered trademarks are the property of their respective owners.

General Precautions in the Handling of Microprocessing Unit and Microcontroller Unit Products

The following usage notes are applicable to all Microprocessing unit and Microcontroller unit products from Renesas. For detailed usage notes on the products covered by this document, refer to the relevant sections of the document as well as any technical updates that have been issued for the products.

1. Handling of Unused Pins

Handle unused pins in accordance with the directions given under Handling of Unused Pins in the manual.

¾ The input pins of CMOS products are generally in the high-impedance state. In operation with an unused pin in the open-circuit state, extra electromagnetic noise is induced in the vicinity of LSI, an associated shoot-through current flows internally, and malfunctions occur due to the false recognition of the pin state as an input signal become possible. Unused pins should be handled as described under Handling of Unused Pins in the manual.

2. Processing at Power-on

The state of the product is undefined at the moment when power is supplied.

¾ The states of internal circuits in the LSI are indeterminate and the states of register settings and pins are undefined at the moment when power is supplied.

In a finished product where the reset signal is applied to the external reset pin, the states of pins are not guaranteed from the moment when power is supplied until the reset process is completed. In a similar way, the states of pins in a product that is reset by an on-chip power-on reset function are not guaranteed from the moment when power is supplied until the power reaches the level at which resetting has been specified.

3. Prohibition of Access to Reserved Addresses

Access to reserved addresses is prohibited.

¾ The reserved addresses are provided for the possible future expansion of functions. Do not access these addresses; the correct operation of LSI is not guaranteed if they are accessed.

4. Clock Signals

After applying a reset, only release the reset line after the operating clock signal has become stable. When switching the clock signal during program execution, wait until the target clock signal has stabilized.

¾ When the clock signal is generated with an external resonator (or from an external oscillator) during a reset, ensure that the reset line is only released after full stabilization of the clock signal. Moreover, when switching to a clock signal produced with an external resonator (or by an external oscillator) while program execution is in progress, wait until the target clock signal is stable.

5. Differences between Products

Before changing from one product to another, i.e. to a product with a different part number, confirm that the change will not lead to problems.

¾ The characteristics of Microprocessing unit or Microcontroller unit products in the same group but having a different part number may differ in terms of the internal memory capacity, layout pattern, and other factors, which can affect the ranges of electrical characteristics, such as characteristic values, operating margins, immunity to noise, and amount of radiated noise. When changing to a product with a different part number, implement a system-evaluation test for the given product.

Notice

1. Descriptions of circuits, software and other related information in this document are provided only to illustrate the operation of semiconductor products and application examples. You are fully responsible for the incorporation or any other use of the circuits, software, and information in the design of your product or system. Renesas Electronics disclaims any and all liability for any losses and damages incurred by you or third parties arising from the use of these circuits, software, or information.
2. Renesas Electronics hereby expressly disclaims any warranties against and liability for infringement or any other disputes involving patents, copyrights, or other intellectual property rights of third parties, by or arising from the use of Renesas Electronics products or technical information described in this document, including but not limited to, the product data, drawing, chart, program, algorithm, application examples.
3. No license, express, implied or otherwise, is granted hereby under any patents, copyrights or other intellectual property rights of Renesas Electronics or others.
4. You shall not alter, modify, copy, or otherwise misappropriate any Renesas Electronics product, whether in whole or in part. Renesas Electronics disclaims any and all liability for any losses or damages incurred by you or third parties arising from such alteration, modification, copy or otherwise misappropriation of Renesas Electronics products.
5. Renesas Electronics products are classified according to the following two quality grades: "Standard" and "High Quality". The intended applications for each Renesas Electronics product depends on the product's quality grade, as indicated below.
"Standard": Computers; office equipment; communications equipment; test and measurement equipment; audio and visual equipment; home electronic appliances; machine tools; personal electronic equipment; and industrial robots etc.
"High Quality": Transportation equipment (automobiles, trains, ships, etc.); traffic control (traffic lights); large-scale communication equipment; key financial terminal systems; safety control equipment; etc.
Renesas Electronics products are neither intended nor authorized for use in products or systems that may pose a direct threat to human life or bodily injury (artificial life support devices or systems, surgical implantations etc.), or may cause serious property damages (space and undersea repeaters; nuclear power control systems; aircraft control systems; key plant systems; military equipment; etc.). Renesas Electronics disclaims any and all liability for any damages or losses incurred by you or third parties arising from the use of any Renesas Electronics product for which the product is not intended by Renesas Electronics.
6. When using the Renesas Electronics products, refer to the latest product information (data sheets, user's manuals, application notes, "General Notes for Handling and Using Semiconductor Devices" in the reliability handbook, etc.), and ensure that usage conditions are within the ranges specified by Renesas Electronics with respect to maximum ratings, operating power supply voltage range, heat radiation characteristics, installation, etc. Renesas Electronics disclaims any and all liability for any malfunctions or failure or accident arising out of the use of Renesas Electronics products beyond such specified ranges.
7. Although Renesas Electronics endeavors to improve the quality and reliability of Renesas Electronics products, semiconductor products have specific characteristics such as the occurrence of failure at a certain rate and malfunctions under certain use conditions. Further, Renesas Electronics products are not subject to radiation resistance design. Please ensure to implement safety measures to guard them against the possibility of bodily injury, injury or damage caused by fire, and social damage in the event of failure or malfunction of Renesas Electronics products, such as safety design for hardware and software including but not limited to redundancy, fire control and malfunction prevention, appropriate treatment for aging degradation or any other appropriate measures by your own responsibility as warranty for your products/system. Because the evaluation of microcomputer software alone is very difficult and not practical, please evaluate the safety of the final products or systems manufactured by you.
8. Please contact a Renesas Electronics sales office for details as to environmental matters such as the environmental compatibility of each Renesas Electronics product. Please investigate applicable laws and regulations that regulate the inclusion or use of controlled substances, including without limitation, the EU RoHS Directive carefully and sufficiently and use Renesas Electronics products in compliance with all these applicable laws and regulations. Renesas Electronics disclaims any and all liability for damages or losses occurring as a result of your noncompliance with applicable laws and regulations.
9. Renesas Electronics products and technologies shall not be used for or incorporated into any products or systems whose manufacture, use, or sale is prohibited under any applicable domestic or foreign laws or regulations. You shall not use Renesas Electronics products or technologies for (1) any purpose relating to the development, design, manufacture, use, stockpiling, etc., of weapons of mass destruction, such as nuclear weapons, chemical weapons, or biological weapons, or missiles (including unmanned aerial vehicles (UAVs)) for delivering such weapons, (2) any purpose relating to the development, design, manufacture, or use of conventional weapons, or (3) any other purpose of disturbing international peace and security, and you shall not sell, export, lease, transfer, or release Renesas Electronics products or technologies to any third party whether directly or indirectly with knowledge or reason to know that the third party or any other party will engage in the activities described above. When exporting, selling, transferring, etc., Renesas Electronics products or technologies, you shall comply with any applicable export control laws and regulations promulgated and administered by the governments of the countries asserting jurisdiction over the parties or transactions.
10. Please acknowledge and agree that you shall bear all the losses and damages which are incurred from the misuse or violation of the terms and conditions described in this document, including this notice, and hold Renesas Electronics harmless, if such misuse or violation results from your resale or making Renesas Electronics products available any third party.
11. This document shall not be reprinted, reproduced or duplicated in any form, in whole or in part, without prior written consent of Renesas Electronics.
12. Please contact a Renesas Electronics sales office if you have any questions regarding the information contained in this document or Renesas Electronics products.
(Note 1) "Renesas Electronics" as used in this document means Renesas Electronics Corporation and also includes its majority-owned subsidiaries.
(Note 2) "Renesas Electronics product(s)" means any product developed or manufactured by or for Renesas Electronics.

(Rev.3.0-1 November 2016)



SALES OFFICES

Renesas Electronics Corporation

<http://www.renesas.com>

Refer to "<http://www.renesas.com/>" for the latest and detailed information.

Renesas Electronics America Inc.

2801 Scott Boulevard Santa Clara, CA 95050-2549, U.S.A.
Tel: +1-408-588-6000, Fax: +1-408-588-6130

Renesas Electronics Canada Limited

9251 Yonge Street, Suite 8309 Richmond Hill, Ontario Canada L4C 9T3
Tel: +1-905-237-2004

Renesas Electronics Europe Limited

Dukes Meadow, Millboard Road, Bourne End, Buckinghamshire, SL8 5FH, U.K.
Tel: +44-1628-585-100, Fax: +44-1628-585-900

Renesas Electronics Europe GmbH

Arcadiastrasse 10, 40472 Düsseldorf, Germany
Tel: +49-211-6503-0, Fax: +49-211-6503-1327

Renesas Electronics (China) Co., Ltd.

Room 1709, Quantum Plaza, No.27 ZhiChunLu Haidian District, Beijing 100191, P.R.China
Tel: +86-10-8235-1155, Fax: +86-10-8235-7679

Renesas Electronics (Shanghai) Co., Ltd.

Unit 301, Tower A, Central Towers, 555 Langao Road, Putuo District, Shanghai, P. R. China 200333
Tel: +86-21-2226-0888, Fax: +86-21-2226-0999

Renesas Electronics Hong Kong Limited

Unit 1601-1611, 16/F., Tower 2, Grand Century Place, 193 Prince Edward Road West, Mongkok, Kowloon, Hong Kong
Tel: +852-2265-6688, Fax: +852-2886-9022

Renesas Electronics Taiwan Co., Ltd.

13F, No. 363, Fu Shing North Road, Taipei 10543, Taiwan
Tel: +886-2-8175-9600, Fax: +886-2-8175-9670

Renesas Electronics Singapore Pte. Ltd.

80 Bendemeer Road, Unit #06-02 Hyflux Innovation Centre, Singapore 339949
Tel: +65-6213-0200, Fax: +65-6213-0300

Renesas Electronics Malaysia Sdn.Bhd.

Unit 1207, Block B, Menara Amcorp, Amcorp Trade Centre, No. 18, Jln Persiaran Barat, 46050 Petaling Jaya, Selangor Darul Ehsan, Malaysia
Tel: +60-3-7955-9390, Fax: +60-3-7955-9510

Renesas Electronics India Pvt. Ltd.

No.777C, 100 Feet Road, HAL II Stage, Indiranagar, Bangalore, India
Tel: +91-80-67208700, Fax: +91-80-67208777

Renesas Electronics Korea Co., Ltd.

12F., 234 Teheran-ro, Gangnam-Gu, Seoul, 135-080, Korea
Tel: +82-2-558-3737, Fax: +82-2-558-5141