

RL78/G13

R01AN2834EJ0100

Rev. 1.00

Voltage Detector (Reset Mode) CC-RL

May 28, 2015

Introduction

This application note describes the reset mode of the voltage detector (LVD) on the RL78/G13. When the supply voltage (V_{DD}) becomes lower than the LVD detection voltage (V_{LVD}), the voltage detector generates an internal reset. Using LEDs, the internal reset can be distinguished from a power-on-reset (POR).

Target Device

RL78/G13

When applying the sample program covered in this application note to another microcomputer, modify the program according to the specifications for the target microcomputer and conduct an extensive evaluation of the modified program.

Contents

1. Specifications	3
2. Operation Check Conditions	4
3. Related Application Notes	4
4. Description of the Hardware	5
4.1 Hardware Configuration Example	5
4.2 List of Pins to be Used	5
5. Description of the Software	6
5.1 Operation Outline	6
5.2 List of Option Byte Settings.....	8
5.3 List of Variables	8
5.4 List of Functions.....	8
5.5 Function Specifications	9
5.6 Flowcharts	10
5.6.1 Initialization Function.....	11
5.6.2 System Function.....	12
5.6.3 Setting up the I/O Ports	13
5.6.4 CPU Clock Setup	14
5.6.5 INTPO Initialization	15
5.6.6 Main Processing	16
5.6.7 INTPO Operation Start	17
5.6.8 INTPO Interrupt Processing	18
6. Sample Code	19
7. Documents for Reference	19
Revision Record	20
General Precautions in the Handling of MPU/MCU Products	21

1. Specifications

This application note describes the operation (reset mode) of the voltage detector.

When the supply voltage (V_{DD}) becomes lower than the LVD detection voltage (V_{LVD}), the voltage detector generates an internal reset. The three LEDs permit a visual distinction between this internal reset and a power-on-reset. The indications provided by these LEDs are changed according to the switch input count.

When $V_{DD} < V_{LVD}$, the voltage detector generates an internal reset. Later, when $V_{DD} \geq V_{LVD}$, this reset is ended. At this time, the system restarts from the state it was in when the LEDs provided the last indications.

When $V_{DD} < V_{PDR}$, an internal reset occurs due to a power-on-reset. Later, when $V_{DD} \geq V_{LVD}$, this internal reset is ended and the system restarts while all the LEDs are off.

Table1.1 shows the required peripheral functions and their uses. Figure 1.1 presents an overview of the operation (reset mode) of the voltage detector.

Table1.1 Required Peripheral Functions and Their Uses

Peripheral function	Use
LVD	Supply voltage (V_{DD}) monitoring
P137/INTP0	Switch input
P10 to P12	LED lighting control (for LED1 to LED3)

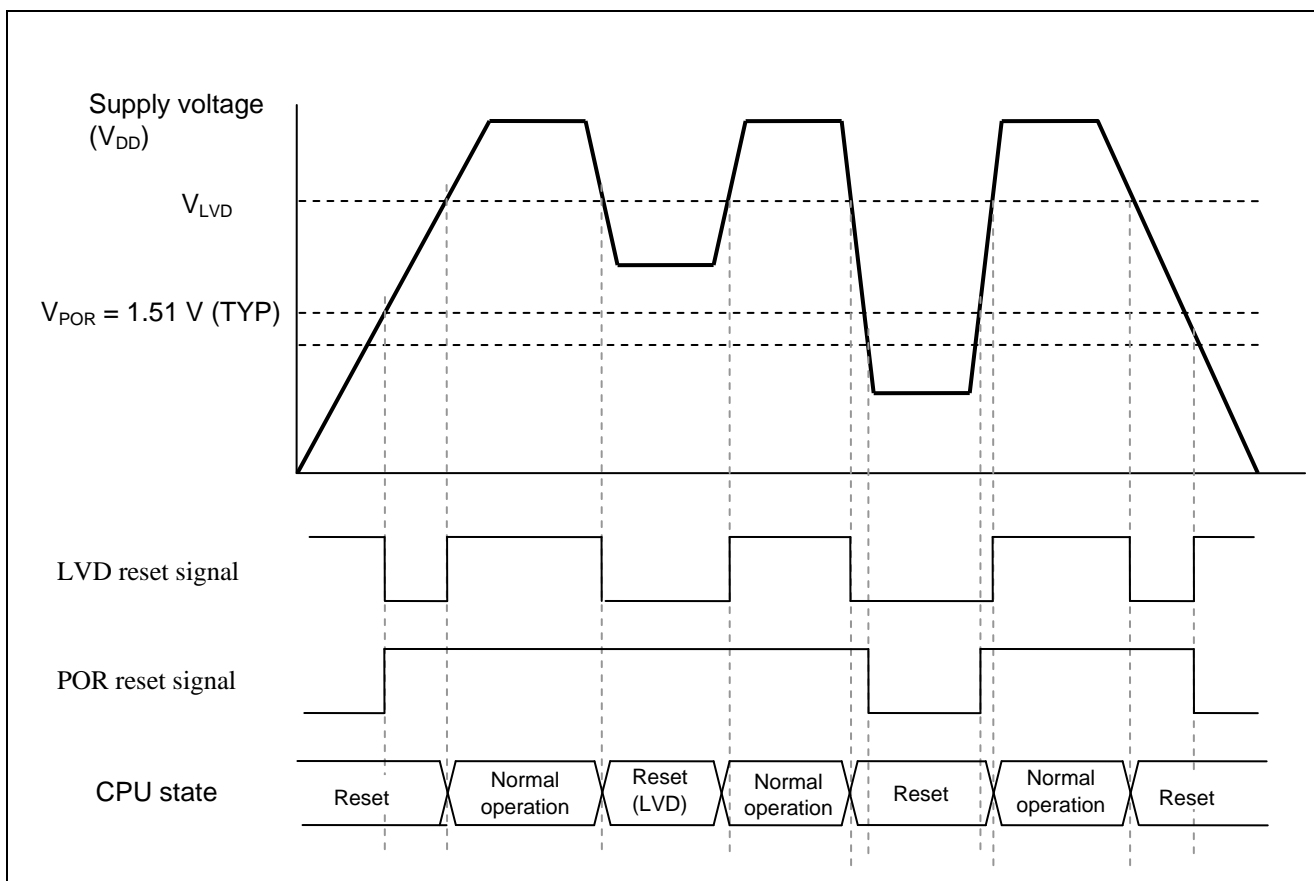


Figure 1.1 Overview of LVD Operation (Reset Mode)

2. Operation Check Conditions

The sample code contained in this application note has been checked under the conditions listed in the table below.

Table 2.1 Operation Check Conditions

Item	Description
Microcontroller used	RL78/G13 (R5F100LEA)
Operating frequency	<ul style="list-style-type: none"> High-speed on-chip oscillator (HOCO) clock: 32 MHz CPU/peripheral hardware clock: 32 MHz
Operating voltage	5.0 V (can run on a voltage range of 2.9 V to 5.5 V.) LVD operation (V_{LVD}): Reset mode <ul style="list-style-type: none"> Rising edge voltage: 2.81 V (2.76 V to 2.87 V) Falling edge voltage: 2.75 V (2.70 V to 2.81V)
Integrated development environment (CS+)	CS+ V3.01.00 from Renesas Electronics Corp.
C compiler (CS+)	CC-RL V1.01.00 from Renesas Electronics Corp.
Integrated development environment (e ² studio)	e ² studio V4.0.0.26 from Renesas Electronics Corp.
C compiler (e ² studio)	CC-RL V1.01.00 from Renesas Electronics Corp.

3. Related Application Notes

The application note related to this application note is listed below for reference.

- RL78/G13 Initialization (R01AN2575E) Application Note

4. Description of the Hardware

4.1 Hardware Configuration Example

Figure 4.1 shows an example of the hardware configuration used for this application note.

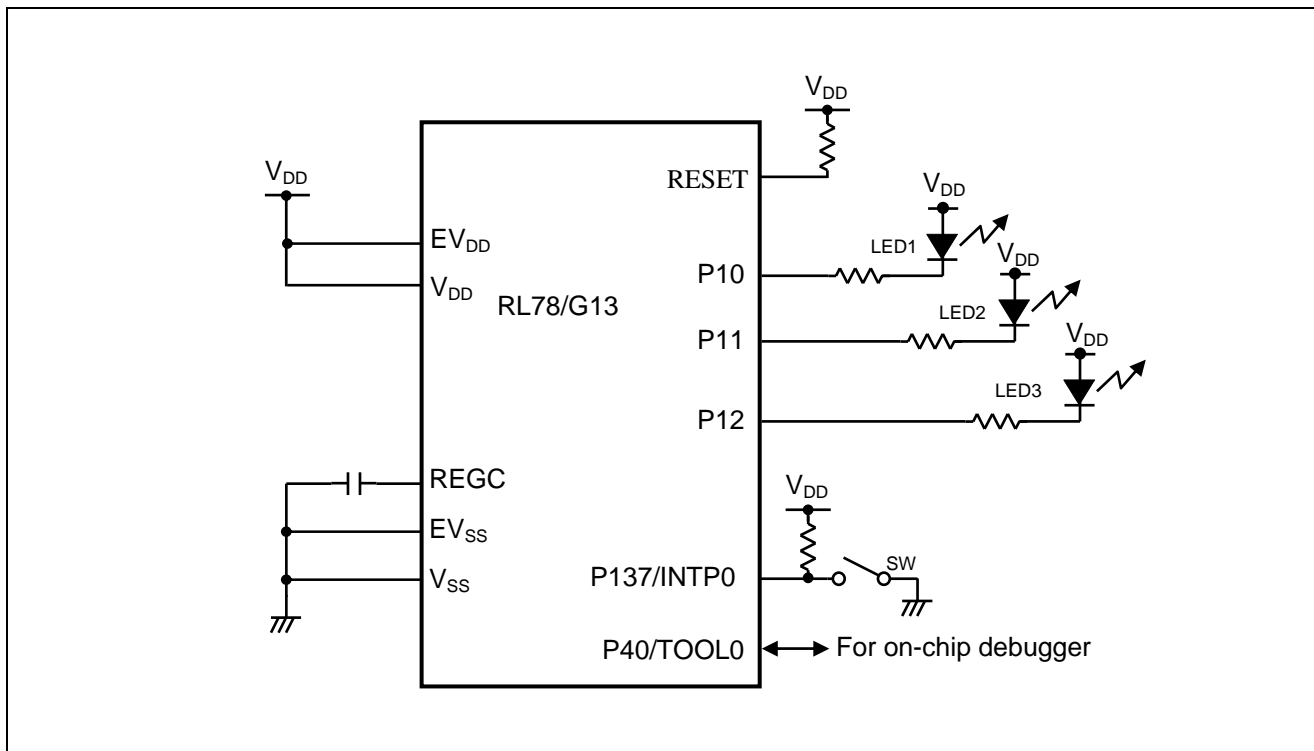


Figure 4.1 Hardware Configuration

- Cautions**
1. The purpose of this circuit is only to provide the connection outline and the circuit is simplified accordingly. When designing and implementing an actual circuit, provide proper pin treatment and make sure that the hardware's electrical specifications are met (connect the input-only ports separately to V_{DD} or V_{SS} via a resistor).
 2. Connect any pins whose name begins with EV_{SS} to V_{SS} and any pins whose name begins with EV_{DD} to V_{DD} , respectively.

4.2 List of Pins to be Used

Table 4.1 lists the pins to be used and their functions.

Table 4.1 Pins to be Used and Their Functions

Pin Name	I/O	Description
P10	Output	LED on (LED1) control port
P11	Output	LED on (LED2) control port
P12	Output	LED on (LED3) control port
P137/INTP0	Input	Switch input port

5. Description of the Software

5.1 Operation Outline

The sample program described in this application note monitors the supply voltage using the voltage detector (reset mode).

When $V_{DD} < V_{LVD}$, the voltage detector generates an internal reset (LVD reset). At this time, various registers are initialized. If, however, V_{DD} is equal to or greater than the power-on-reset detection voltage ($V_{PDR} = 1.50 \text{ V} \pm 0.03 \text{ V}$), the on-chip RAM's state remains unchanged since before the reset generation. Because the on-chip RAM holds the switch input count which was obtained before the reset generation, the system can restart from the state it was in when the LED indications were provided before the reset generation.

The switch input count is initialized when a reset other than the LVD reset occurs.

(1) Initializing the voltage detector

<Conditions for setting>

- When the power is turned on or after the reset is ended, the option byte should be referenced automatically and the voltage detector should be set to reset mode.
- The rising edge detection voltage should be set to 2.81 V. The falling edge detection voltage should be set to 2.75 V.

Caution: When reset mode is selected, the voltage detection level register (LVIS) is write-prohibited. The initial value for the LVIS register is set to 81H (low-voltage detection level: V_{LVD} for reset mode) automatically.

(2) Setting the input and output ports

- LED lighting control (for LED1 to LED3): Configure P10, P11 and P12 as the output ports.
- Switch input: Configure P137/INTP0 for detecting INTP0 falling edges (via an external pull-up resistor)

(3) LED indications depending on the switch input count

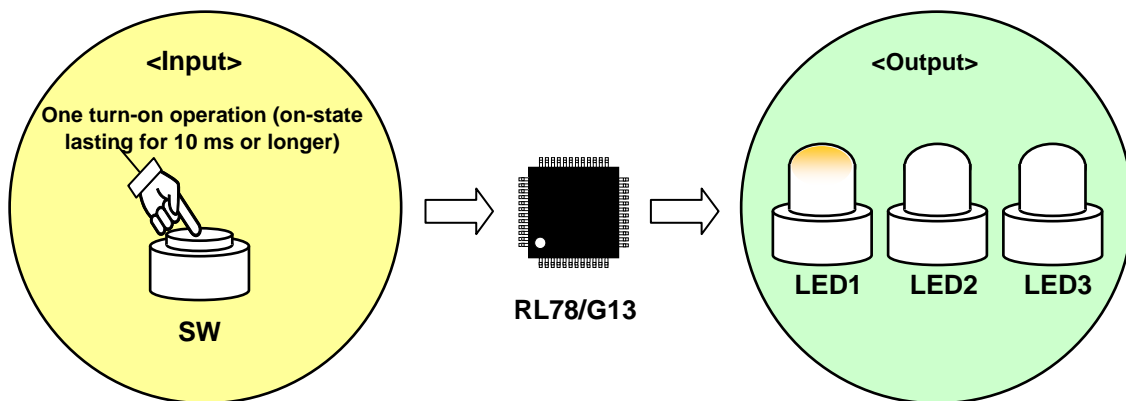
- Interrupt processing is started upon detection of a P137/INTP0 falling edge. Chattering is detected and, if the on state of the input lasts about 10 ms, it is recognized as a switch input and the LED indications are changed. When $V_{DD} < V_{LVD}$, an LVD reset is generated; however the on-chip RAM's state remains unchanged since before the reset generation (see Note).

(4') When $V_{DD} < V_{PDR}$, a POR internal reset occurs, deleting the LED indication data.

Caution: If the standard startup routine is used for programs written in C, data in the on-chip RAM is initialized before the main function is executed. To prevent it from being initialized, a startup routine which has its initialization code commented out is adopted.

Caution: Usage Precautions: For information about the precautions in using the device, refer to RL78/G13 User's Manual: Hardware.

Figure 5.1 presents an overview of the sample code operation.



Switch (SW) input count ^{Note}	LED indications		
	LED1	LED2	LED3
0	OFF	OFF	OFF
1	ON	OFF	OFF
2	OFF	ON	OFF
3	ON	ON	OFF
4	OFF	OFF	ON
5	ON	OFF	ON
6	OFF	ON	ON
7	ON	ON	ON

Note: For the eighth and subsequent operations, the LED indications above are repeated.

Figure 5.1 Overview of Sample Code Operation

5.2 List of Option Byte Settings

Table 5.1 summarizes the settings of the option bytes.

Table 5.1 Option Byte Settings

Address	Value	Description
000C0H/010C0H	01101110B	Disables the watchdog timer. (Stops counting after the release from the reset state.)
000C1H/010C1H	01111111B	LVD reset mode Rising edge voltage: 2.81 V (2.76 V to 2.87 V) Falling edge voltage: 2.75 V (2.70 V to 2.81 V)
000C2H/010C2H	11101000B	HS mode HOCO: 32 MHz
000C3H/010C3H	10000100B	Enables the on-chip debugger.

5.3 List of Variables

Table 5.2 lists the global variables.

Table 5.2 Global Variables

Type	Variable Name	Contents	Function Used
uint8_t	g_ResetFactor	RESF register save area	main() R_CGC_Get_ResetSource()
uint8_t	g_SwCount	SW depress count	main() r_intc0_interrupt()

5.4 List of Functions

Table 5.3 gives a list of functions that are used by this sample program.

Table 5.3 Functions

Function Name	Outline
R_PORT_Create	Initializes the input and output ports.
R_INTC_Create	Initializes the external-interrupt settings.
R_INTC0_Start	Enables INTPO interrupts.
r_intc0_interrupt	Processes INTPO interrupts.

5.5 Function Specifications

This section describes the specifications for the functions that are used in the sample code.

[Function Name] R_PORT_Create

Synopsis	Initializes the input and output ports.
Header	r_cg_port.h
Declaration	void R_PORT_Create(void)
Explanation	<ul style="list-style-type: none"> LED lighting control (for LED 1 to LED3): This function configures P10, P11 and P12 as the output ports.
Arguments	None
Return value	None
Remarks	None

[Function Name] R_INTC_Create

Synopsis	Initializes the external-interrupt settings.
Header	r_cg_intc.h
Declaration	void R_INTC_Create(void)
Explanation	<p>This function initializes the external-interrupt settings.</p> <p>This function clears the interrupt request.</p>
Arguments	None
Return value	None
Remarks	None

[Function Name] R_INTC0_Start

Synopsis	Enables INTP0 interrupts.
Header	r_cg_intc.h
Declaration	void R_INTC0_Start(void)
Explanation	<p>This function clears the interrupt request flag.</p> <p>This function enables INTP0 interrupts and starts taking in the switch input.</p>
Arguments	None
Return value	None
Remarks	None

[Function Name] r_intc0_interrupt

Synopsis	Processes INTP0 interrupts.
Header	r_cg_intc.h
Declaration	static void __near r_intc0_interrupt(void)
Explanation	<p>This function processes the INTP0 interrupt when it occurs.</p> <p>This function waits 10 ms and then scans the P137 (SW input pin).</p> <p>When the switch is depressed, this function causes the LED indication counter to count up.</p>
Arguments	None
Return value	None
Remarks	None

5.6 Flowcharts

Figure 5.2 shows the overall flow of the sample program described in this application note.

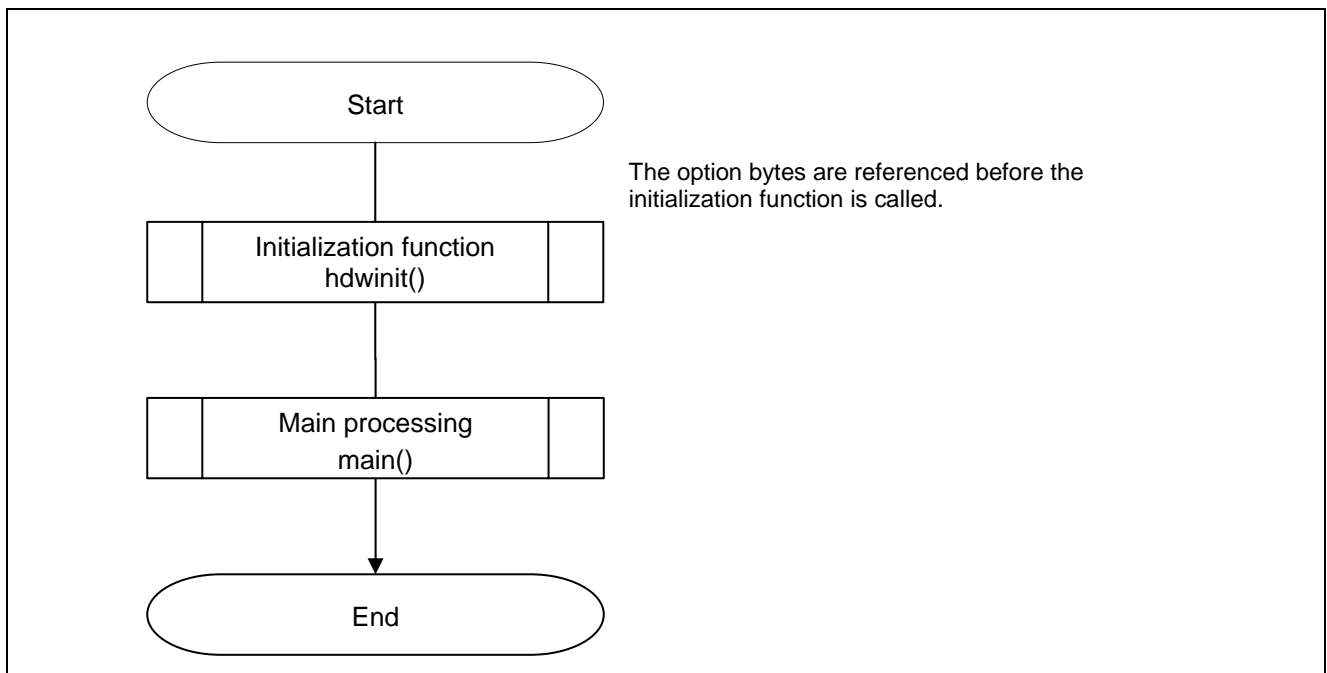


Figure 5.2 Overall Flow

5.6.1 Initialization Function

Figure 5.3 shows the flowchart for the initialization function.

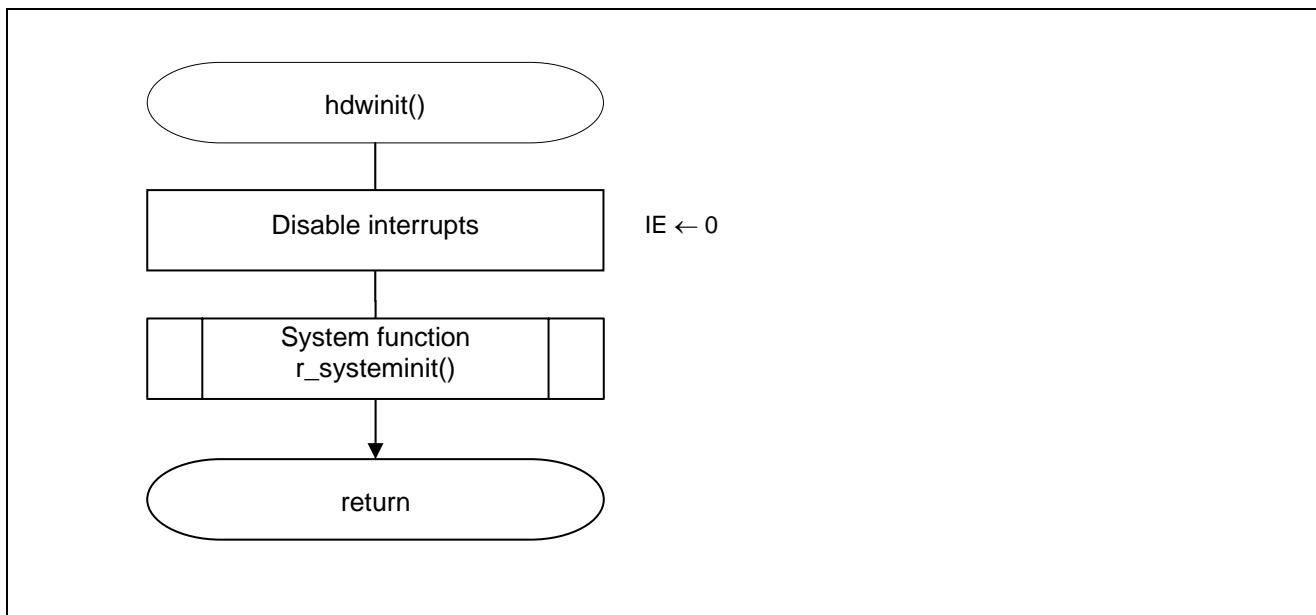


Figure 5.3 Initialization Function

5.6.2 System Function

Figure 5.4 shows the flowchart for the system function.

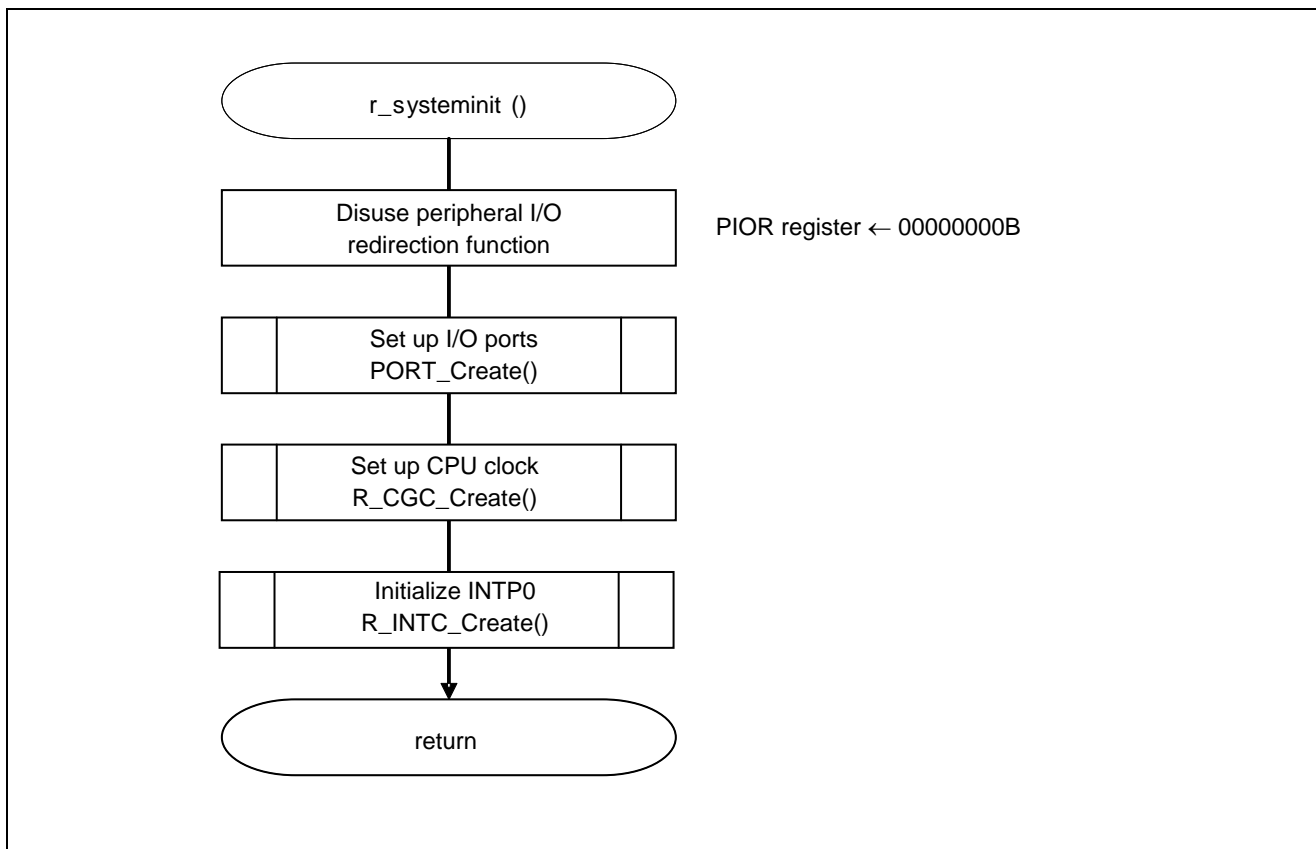


Figure 5.4 System Function

5.6.3 Setting up the I/O Ports

Figure 5.5 shows the flowchart for setting up the I/O ports.

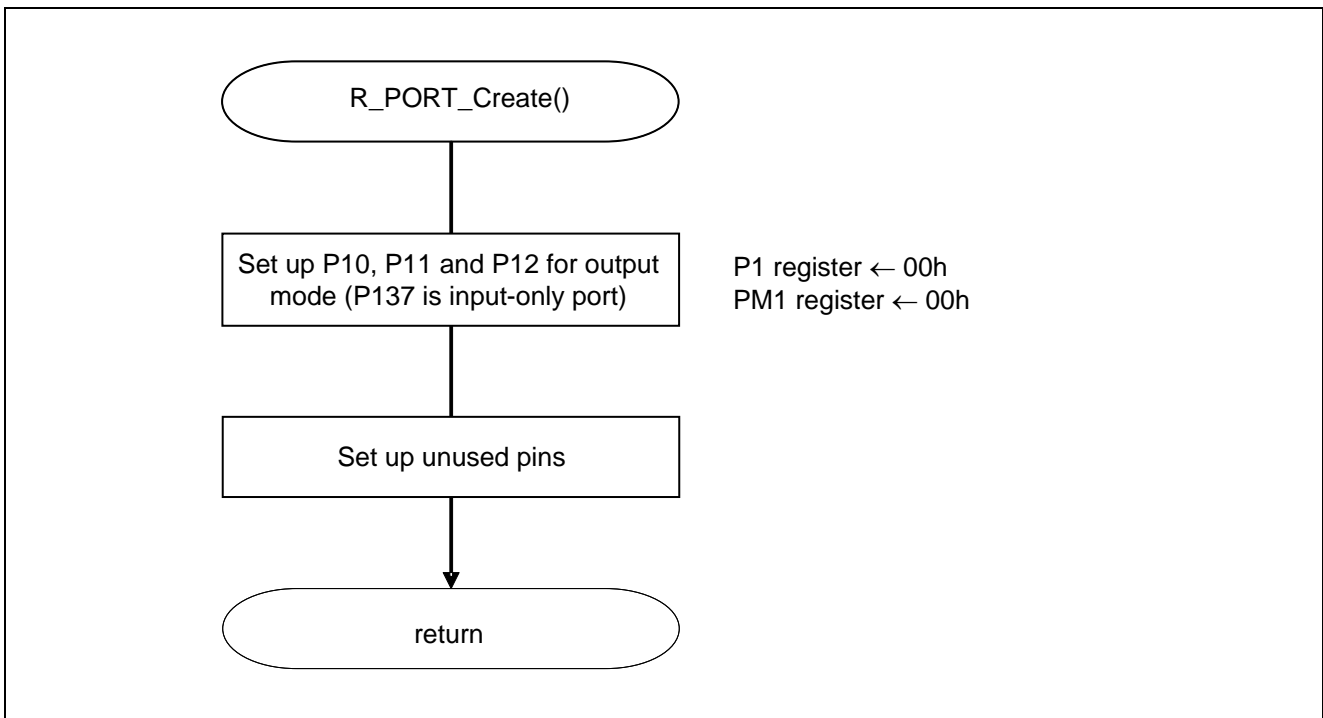


Figure 5.5 I/O Port Setup

Caution: Refer to the section entitled "Flowcharts" in RL78/G13 Initialization Application Note (R01AN2575E) for the configuration of the unused ports.

Caution: Provide proper treatment for unused ports so that their electrical specifications are observed. Connect each of any unused input-only ports to V_{DD} or V_{SS} via a resistor.

5.6.4 CPU Clock Setup

Figure 5.6 shows the flowchart for setting up the CPU clock.

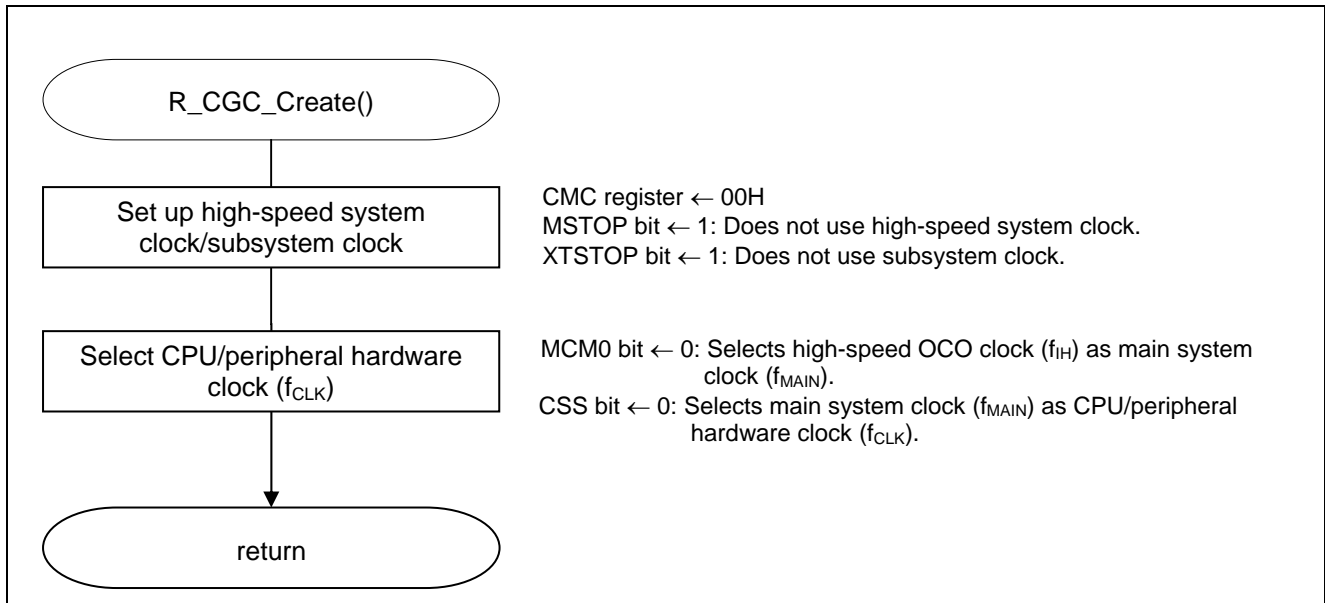


Figure 5.6 CPU Clock Setup

Caution: For details on the procedure for setting up the CPU clock (`R_CGC_Create()`), refer to the section entitled "Flowcharts" in RL78/G13 Initialization Application Note (R01AN2575E).

5.6.5 INTP0 Initialization

Figure 5.7 shows the flowchart for INTP0 initialization.

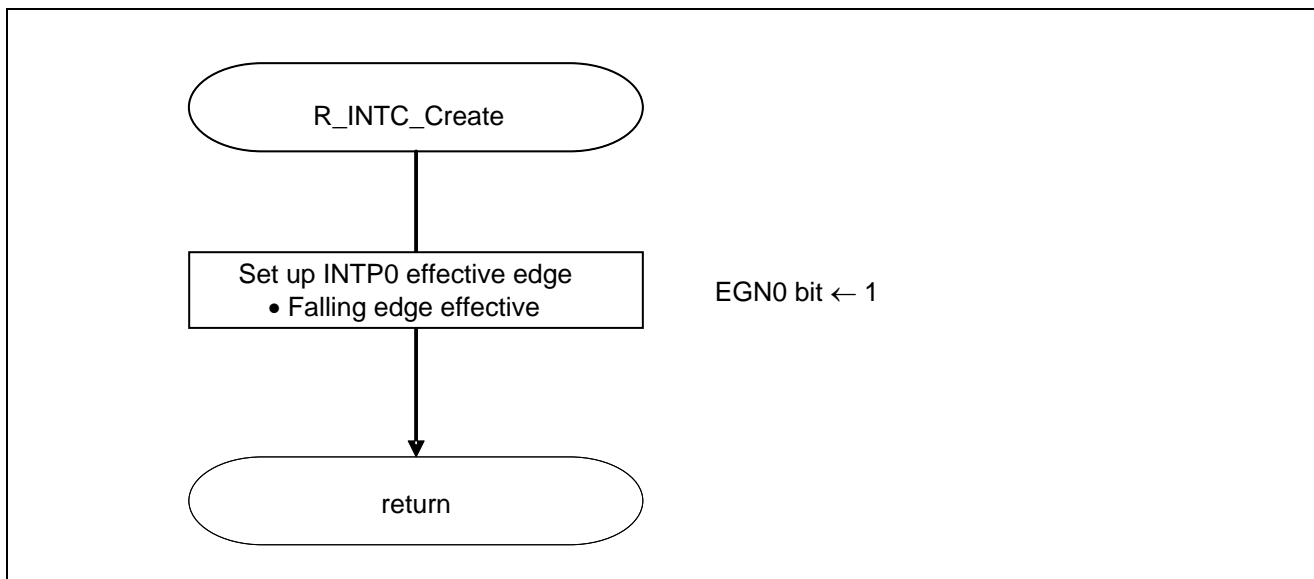


Figure 5.7 INTP0 Initialization

Setup for INTP0 pin edge detection

- External interrupt rising edge enable registers (EGP0, EGP1)
- External interrupt falling edge enable registers (EGN0, EGN1)

These registers are used to set up effective edges for INTP0 to INTP11

Symbol: EGP0

7	6	5	4	3	2	1	0
EGP7	EGP6	EGP5	EGP4	EGP3	EGP2	EGP1	EGP0
x	x	x	x	x	x	x	0

Symbol: EGN0

7	6	5	4	3	2	1	0
EGN7	EGN6	EGN5	EGN4	EGN3	EGN2	EGN1	EGN0
x	x	x	x	x	x	x	1

Bit 0

EGP0	EGN0	INTP0 pin valid edge selection
0	0	Edge detection disabled
0	1	Falling edge
1	0	Rising edge
1	1	Both rising and falling edges

Caution: For detailed information about setting the registers, refer to RL78/G13 User’s Manual: Hardware.

5.6.6 Main Processing

Figure 5.8 shows the flowchart for main processing.

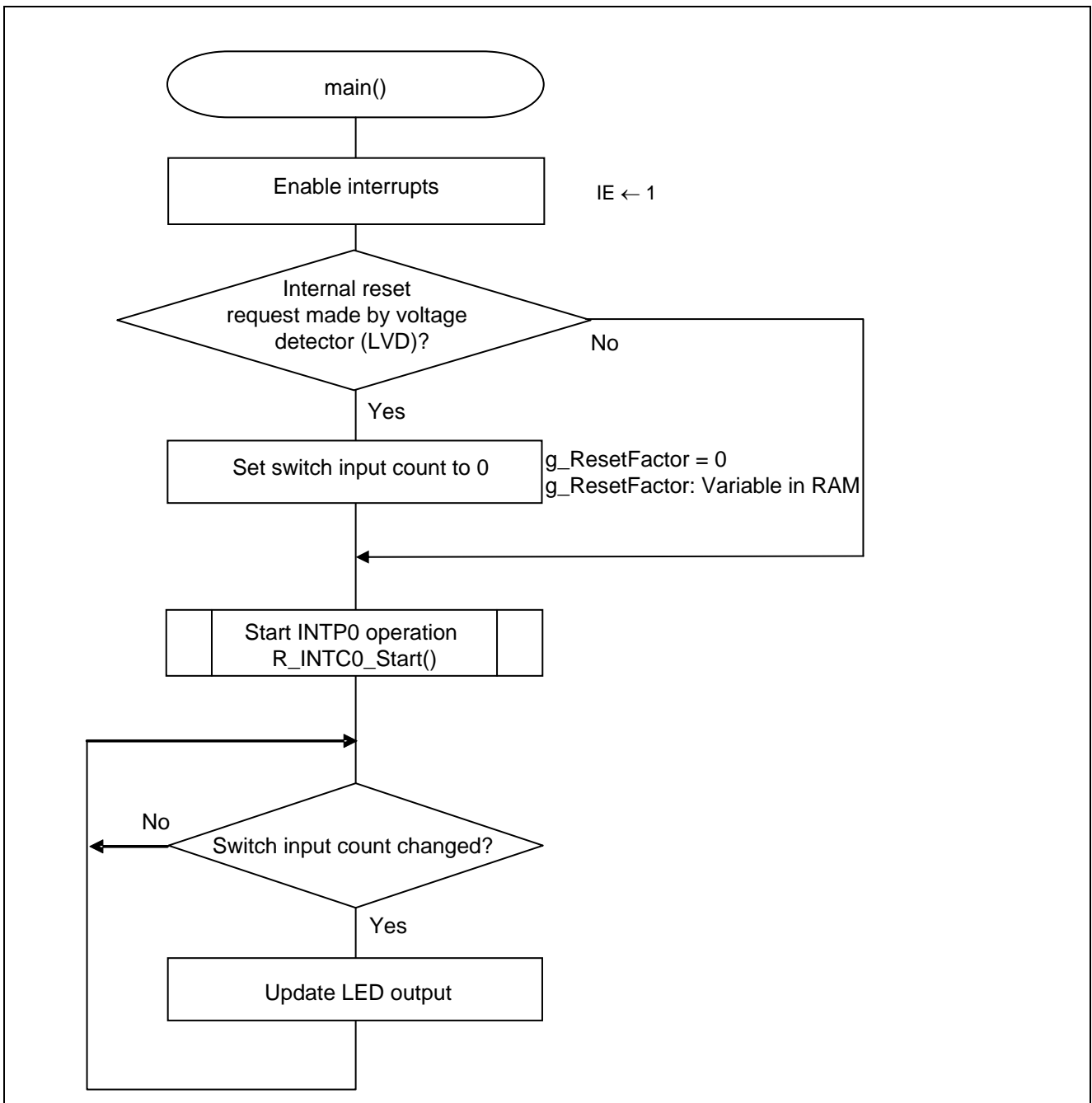


Figure 5.8 Main Processing

5.6.7 INTP0 Operation Start

Figure 5.9 shows the flowchart for starting INTP0 operation.

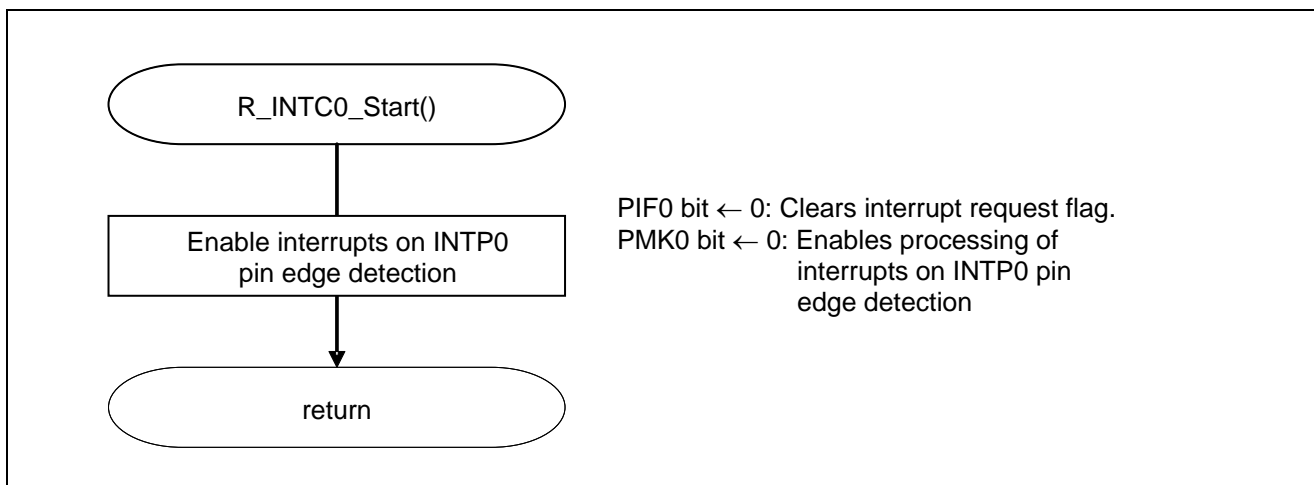


Figure 5.9 INTP0 Operation Start

Setup for INTP0 Interrupts

- Interrupt request flag register (IF0L)
Clears interrupt request flag.
- Interrupt mask flag register (MK0L)
Clears interrupt mask.

Symbol: IF0L

7	6	5	4	3	2	1	0
PIF5	PIF4	PIF3	PIF2	PIF1	PIF0	LVIIIF	WDTIIF
x	x	x	x	x	0	x	x

Bit 2

PIF0	Interrupt request flag
0	No interrupt request signal is generated
1	Interrupt request signal is generated, interrupt request status

Symbol: MK0L

7	6	5	4	3	2	1	0
PMK5	PMK4	PMK3	PMK2	PMK1	PMK0	LVIMK	WDTIMK
x	x	x	x	x	0	x	x

Bit 2

PMK0	Interrupt processing control
0	Interrupt processing enabled
1	Interrupt processing disabled

Caution: For detailed information about setting the registers, see RL78/G13 User’s Manual: Hardware.

5.6.8 INTP0 Interrupt Processing

Figure 5.10 shows the flowchart for INTP0 interrupt processing.

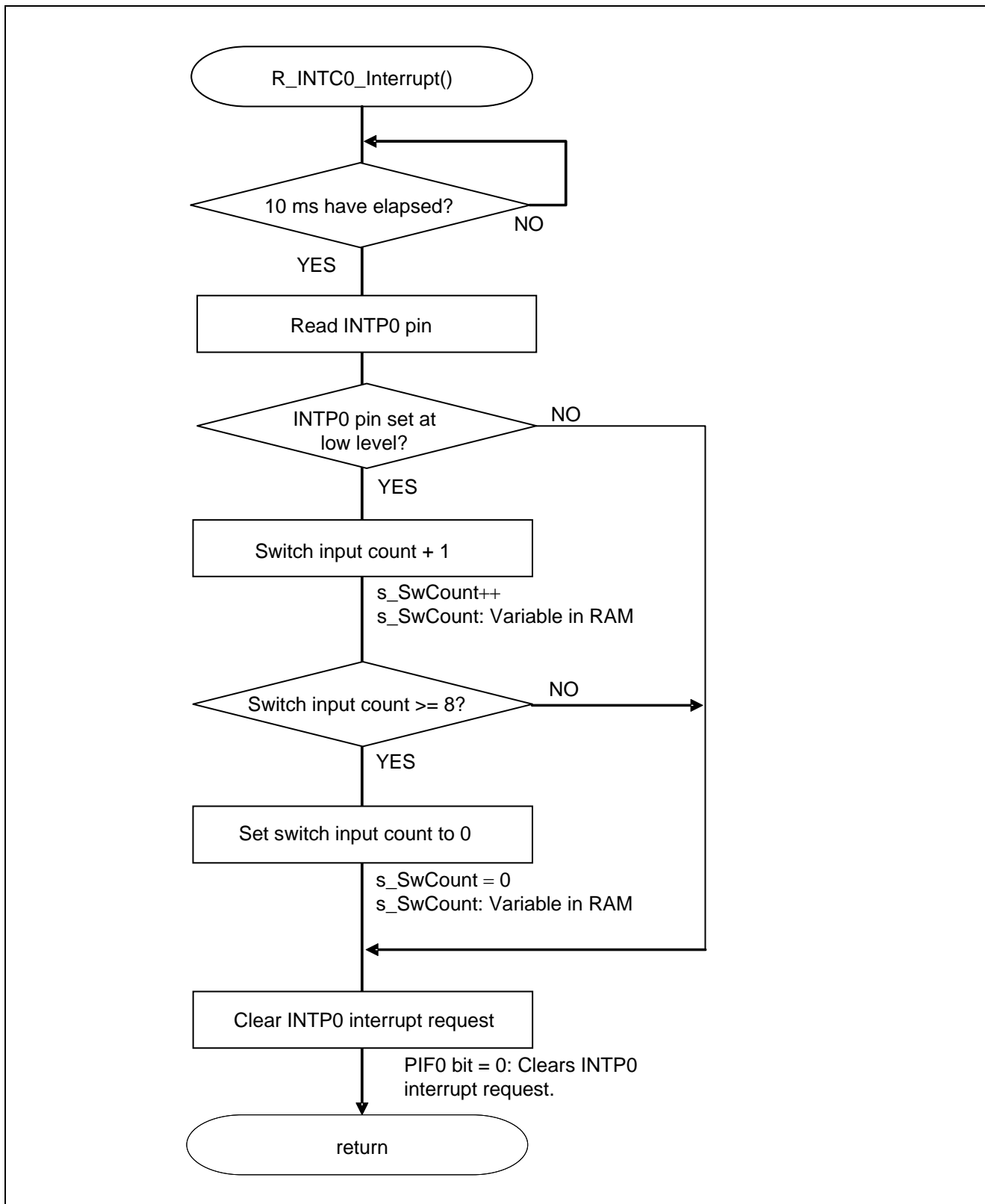


Figure 5.10 INTP0 Interrupt Processing

6. Sample Code

The sample code is available on the Renesas Electronics Website.

7. Documents for Reference

RL78/G13 User's Manual: Hardware Rev.0.07 (R01UH0146EJ0007)

RL78 Family User's Manual: Software Rev.1.00 (R01US0015EJ0100)

(The latest versions of the documents are available on the Renesas Electronics Website.)

Technical Updates/Technical Brochures

(The latest versions of the documents are available on the Renesas Electronics Website.)

Website and Support

Renesas Electronics Website

- <http://www.renesas.com/index.jsp>

Inquiries

- <http://www.renesas.com/contact/>

Revision Record	RL78/G13 Voltage Detector (Reset Mode)
-----------------	--

Rev.	Date	Description	
		Page	Summary
1.00	May 28, 2015	—	First edition issued

All trademarks and registered trademarks are the property of their respective owners.

General Precautions in the Handling of MPU/MCU Products

The following usage notes are applicable to all MPU/MCU products from Renesas. For detailed usage notes on the products covered by this document, refer to the relevant sections of the document as well as any technical updates that have been issued for the products.

1. Handling of Unused Pins

Handle unused pins in accordance with the directions given under Handling of Unused Pins in the manual.

- The input pins of CMOS products are generally in the high-impedance state. In operation with an unused pin in the open-circuit state, extra electromagnetic noise is induced in the vicinity of LSI, an associated shoot-through current flows internally, and malfunctions occur due to the false recognition of the pin state as an input signal become possible. Unused pins should be handled as described under Handling of Unused Pins in the manual.

2. Processing at Power-on

The state of the product is undefined at the moment when power is supplied.

- The states of internal circuits in the LSI are indeterminate and the states of register settings and pins are undefined at the moment when power is supplied.
In a finished product where the reset signal is applied to the external reset pin, the states of pins are not guaranteed from the moment when power is supplied until the reset process is completed. In a similar way, the states of pins in a product that is reset by an on-chip power-on reset function are not guaranteed from the moment when power is supplied until the power reaches the level at which resetting has been specified.

3. Prohibition of Access to Reserved Addresses

Access to reserved addresses is prohibited.

- The reserved addresses are provided for the possible future expansion of functions. Do not access these addresses; the correct operation of LSI is not guaranteed if they are accessed.

4. Clock Signals

After applying a reset, only release the reset line after the operating clock signal has become stable. When switching the clock signal during program execution, wait until the target clock signal has stabilized.

- When the clock signal is generated with an external resonator (or from an external oscillator) during a reset, ensure that the reset line is only released after full stabilization of the clock signal. Moreover, when switching to a clock signal produced with an external resonator (or by an external oscillator) while program execution is in progress, wait until the target clock signal is stable.

5. Differences between Products

Before changing from one product to another, i.e. to a product with a different part number, confirm that the change will not lead to problems.

- The characteristics of an MPU or MCU in the same group but having a different part number may differ in terms of the internal memory capacity, layout pattern, and other factors, which can affect the ranges of electrical characteristics, such as characteristic values, operating margins, immunity to noise, and amount of radiated noise. When changing to a product with a different part number, implement a system-evaluation test for the given product.

Notice

1. Descriptions of circuits, software and other related information in this document are provided only to illustrate the operation of semiconductor products and application examples. You are fully responsible for the incorporation of these circuits, software, and information in the design of your equipment. Renesas Electronics assumes no responsibility for any losses incurred by you or third parties arising from the use of these circuits, software, or information.
2. Renesas Electronics has used reasonable care in preparing the information included in this document, but Renesas Electronics does not warrant that such information is error free. Renesas Electronics assumes no liability whatsoever for any damages incurred by you resulting from errors in or omissions from the information included herein.
3. Renesas Electronics does not assume any liability for infringement of patents, copyrights, or other intellectual property rights of third parties by or arising from the use of Renesas Electronics products or technical information described in this document. No license, express, implied or otherwise, is granted hereby under any patents, copyrights or other intellectual property rights of Renesas Electronics or others.
4. You should not alter, modify, copy, or otherwise misappropriate any Renesas Electronics product, whether in whole or in part. Renesas Electronics assumes no responsibility for any losses incurred by you or third parties arising from such alteration, modification, copy or otherwise misappropriation of Renesas Electronics product.
5. Renesas Electronics products are classified according to the following two quality grades: "Standard" and "High Quality". The recommended applications for each Renesas Electronics product depends on the product's quality grade, as indicated below.
"Standard": Computers; office equipment; communications equipment; test and measurement equipment; audio and visual equipment; home electronic appliances; machine tools; personal electronic equipment; and industrial robots etc.
"High Quality": Transportation equipment (automobiles, trains, ships, etc.); traffic control systems; anti-disaster systems; anti-crime systems; and safety equipment etc.
Renesas Electronics products are neither intended nor authorized for use in products or systems that may pose a direct threat to human life or bodily injury (artificial life support devices or systems, surgical implantations etc.), or may cause serious property damages (nuclear reactor control systems, military equipment etc.). You must check the quality grade of each Renesas Electronics product before using it in a particular application. You may not use any Renesas Electronics product for any application for which it is not intended. Renesas Electronics shall not be in any way liable for any damages or losses incurred by you or third parties arising from the use of any Renesas Electronics product for which the product is not intended by Renesas Electronics.
6. You should use the Renesas Electronics products described in this document within the range specified by Renesas Electronics, especially with respect to the maximum rating, operating supply voltage range, movement power voltage range, heat radiation characteristics, installation and other product characteristics. Renesas Electronics shall have no liability for malfunctions or damages arising out of the use of Renesas Electronics products beyond such specified ranges.
7. Although Renesas Electronics endeavors to improve the quality and reliability of its products, semiconductor products have specific characteristics such as the occurrence of failure at a certain rate and malfunctions under certain use conditions. Further, Renesas Electronics products are not subject to radiation resistance design. Please be sure to implement safety measures to guard them against the possibility of physical injury, and injury or damage caused by fire in the event of the failure of a Renesas Electronics product, such as safety design for hardware and software including but not limited to redundancy, fire control and malfunction prevention, appropriate treatment for aging degradation or any other appropriate measures. Because the evaluation of microcomputer software alone is very difficult, please evaluate the safety of the final products or systems manufactured by you.
8. Please contact a Renesas Electronics sales office for details as to environmental matters such as the environmental compatibility of each Renesas Electronics product. Please use Renesas Electronics products in compliance with all applicable laws and regulations that regulate the inclusion or use of controlled substances, including without limitation, the EU RoHS Directive. Renesas Electronics assumes no liability for damages or losses occurring as a result of your noncompliance with applicable laws and regulations.
9. Renesas Electronics products and technology may not be used for or incorporated into any products or systems whose manufacture, use, or sale is prohibited under any applicable domestic or foreign laws or regulations. You should not use Renesas Electronics products or technology described in this document for any purpose relating to military applications or use by the military, including but not limited to the development of weapons of mass destruction. When exporting the Renesas Electronics products or technology described in this document, you should comply with the applicable export control laws and regulations and follow the procedures required by such laws and regulations.
10. It is the responsibility of the buyer or distributor of Renesas Electronics products, who distributes, disposes of, or otherwise places the product with a third party, to notify such third party in advance of the contents and conditions set forth in this document, Renesas Electronics assumes no responsibility for any losses incurred by you or third parties as a result of unauthorized use of Renesas Electronics products.
11. This document may not be reproduced or duplicated in any form, in whole or in part, without prior written consent of Renesas Electronics.
12. Please contact a Renesas Electronics sales office if you have any questions regarding the information contained in this document or Renesas Electronics products, or if you have any other inquiries.

(Note 1) "Renesas Electronics" as used in this document means Renesas Electronics Corporation and also includes its majority-owned subsidiaries.

(Note 2) "Renesas Electronics product(s)" means any product developed or manufactured by or for Renesas Electronics.



SALES OFFICES

Renesas Electronics Corporation

<http://www.renesas.com>

Refer to "<http://www.renesas.com/>" for the latest and detailed information.

Renesas Electronics America Inc.
2801 Scott Boulevard Santa Clara, CA 95050-2549, U.S.A.
Tel: +1-408-588-6000, Fax: +1-408-588-6130

Renesas Electronics Canada Limited
9251 Yonge Street, Suite 8309 Richmond Hill, Ontario Canada L4C 9T3
Tel: +1-905-237-2004

Renesas Electronics Europe Limited
Dukes Meadow, Millboard Road, Bourne End, Buckinghamshire, SL8 5FH, U.K
Tel: +44-1628-585-100, Fax: +44-1628-585-900

Renesas Electronics Europe GmbH
Arcadiastrasse 10, 40472 Düsseldorf, Germany
Tel: +49-211-6503-0, Fax: +49-211-6503-1327

Renesas Electronics (China) Co., Ltd.
Room 1709, Quantum Plaza, No.27 ZhichunLu Haidian District, Beijing 100191, P.R.China
Tel: +86-10-8235-1155, Fax: +86-10-8235-7679

Renesas Electronics (Shanghai) Co., Ltd.
Unit 301, Tower A, Central Towers, 555 Langao Road, Putuo District, Shanghai, P. R. China 200333
Tel: +86-21-2226-0888, Fax: +86-21-2226-0899

Renesas Electronics Hong Kong Limited
Unit 1601-1611, 16/F., Tower 2, Grand Century Place, 193 Prince Edward Road West, Mongkok, Kowloon, Hong Kong
Tel: +852-2265-6688, Fax: +852-2886-9022

Renesas Electronics Taiwan Co., Ltd.
13F, No. 363, Fu Shing North Road, Taipei 10543, Taiwan
Tel: +886-2-8175-9600, Fax: +886-2-8175-9670

Renesas Electronics Singapore Pte. Ltd.
80 Bendemeer Road, Unit #06-02 Hyflux Innovation Centre, Singapore 339949
Tel: +65-6213-0200, Fax: +65-6213-0300

Renesas Electronics Malaysia Sdn.Bhd.
Unit 1207, Block B, Menara Amcorp, Amcorp Trade Centre, No. 18, Jln Persiaran Barat, 46050 Petaling Jaya, Selangor Darul Ehsan, Malaysia
Tel: +60-3-7955-9390, Fax: +60-3-7955-9510

Renesas Electronics India Pvt. Ltd.
No.777C, 100 Feet Road, HAL II Stage, Indiranagar, Bangalore, India
Tel: +91-80-67208700, Fax: +91-80-67208777

Renesas Electronics Korea Co., Ltd.
12F., 234 Teheran-ro, Gangnam-Gu, Seoul, 135-080, Korea
Tel: +82-2-558-3737, Fax: +82-2-558-5141