

# PLL Loop Filter Design and Fine Tuning

This application note provides instructions for calculating and fine tuning PLL loop filters, assuring the PLL is operating in a stable region, and optimizing PLL output phase noise.

## Contents

<b>1. Introduction</b>	<b>1</b>
<b>2. PLL Loop Filter</b>	<b>2</b>
<b>3. Loop Bandwidth Calculation</b>	<b>3</b>
3.1 Cut-off Frequency (Fc)	3
3.2 Zero Frequency (Fz)	3
3.3 Pole Frequency (Fp)	3
<b>4. Loop Filter Calculation</b>	<b>4</b>
4.1 Second Order Loop Filter	4
4.2 Third Order Loop Filter	5
<b>5. Loop Filter Calculation Examples</b>	<b>5</b>
5.1 Second Order Loop Filter	5
5.2 Third Order Loop Filter	7
<b>6. PLL Loop Filter and Loop Bandwidth Calculation: Examples and Lab Experiments</b>	<b>8</b>
6.1 Lab Experiment Condition	8
6.2 Loop Bandwidth and Phase Noise Fine Tuning	11
6.2.1. Experiment 1 – Loop Bandwidth Set Too High	12
6.2.2. Experiment 2 – Loop Bandwidth Set Too Low	14
6.2.3. Experiment 3 – Optimized Loop Bandwidth	16
<b>7. Revision History</b>	<b>17</b>

## 1. Introduction

This document contains basic PLL loop filter information, as well as loop bandwidth and loop filter calculations. Lab experiment results of different loop bandwidth settings are also provided to demonstrate the effect of the loop bandwidth setting. These results demonstrate that optimized phase noise can be obtained by proper loop bandwidth tuning.

## 2. PLL Loop Filter

A basic PLL block diagram is shown in Figure 1. Board level designers or PLL component users are required to determine the loop filter component values based on the application requirement. Figure 2 and Figure 3 are examples of common passive loop filters: a second order loop filter and a third order loop filter, respectively.

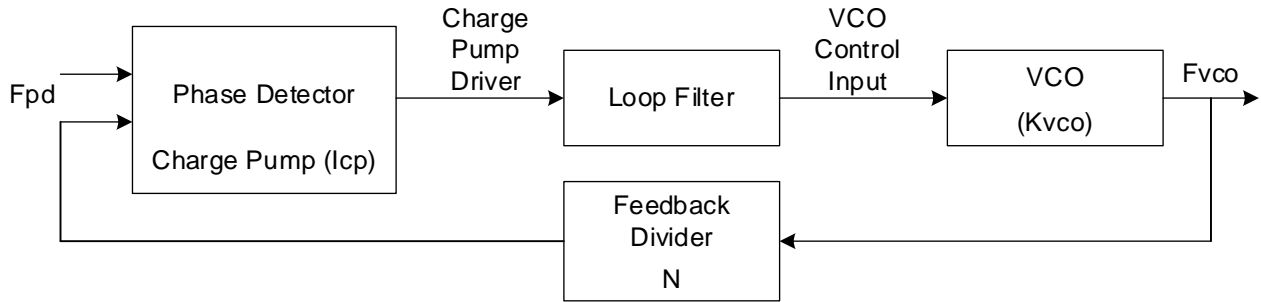


Figure 1. Basic PLL Block Diagram

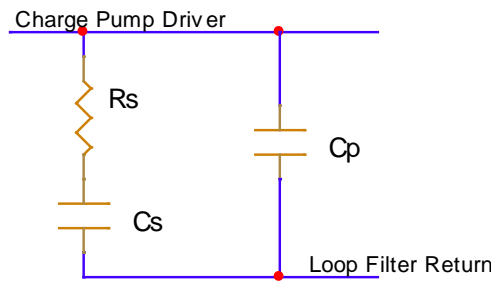


Figure 2. Second Order Loop Filter

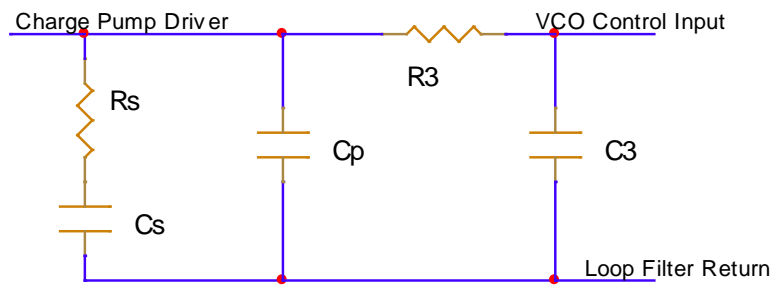


Figure 3. Third Order Loop Filter

### 3. Loop Bandwidth Calculation

The following equations show how each parameter affects the loop bandwidth.

#### 3.1 Cut-off Frequency (Fc)

$$F_c = \frac{R_s \cdot I_{cp} \cdot K_{vco}}{N \cdot 2 \cdot \pi}$$

where

I<sub>cp</sub> is charge pump current.

K<sub>vco</sub> is VCO gain.

N is effective feedback divider.

The loop bandwidth can be adjusted by the parameters in the equation. Increasing R<sub>s</sub>, I<sub>cp</sub> or K<sub>vco</sub> will increase loop bandwidth. Increasing feedback divider will decrease the loop bandwidth. The only loop filter component that can affect loop bandwidth is R<sub>s</sub>. Other loop filter components affect zero frequency and pole frequencies that can affect the PLL stability.

#### 3.2 Zero Frequency (Fz)

$$F_z = \frac{1}{2\pi \cdot R_s \cdot C_s}$$

#### 3.3 Pole Frequency (Fp)

$$F_p = \frac{1}{2\pi \cdot R_s \cdot C_p}$$

For third order loop filter, the 2nd pole frequency (F<sub>p2</sub>) should be approximately 1.5x the first pole frequency (F<sub>p</sub>).

$$F_{p2} \sim \frac{1}{2\pi \cdot R_3 \cdot C_3}$$

$$F_{p2} \sim 3 \cdot F_p$$

Figure 4 shows the approximate frequency region of the loop bandwidth frequency related to the zero frequency and pole frequencies. To keep the PLL operating in a stable region, the loop bandwidth frequency normally falls between zero frequency and pole frequency. Rule of thumb is that loop bandwidth F<sub>c</sub> is approximately 3x or greater than zero frequency F<sub>z</sub>. F<sub>c</sub> is approximately 3x, or greater, below the pole frequency F<sub>p</sub>. For 3rd order loop filter, the second pole frequency F<sub>p2</sub> must be greater than the first pole frequency F<sub>p</sub>.

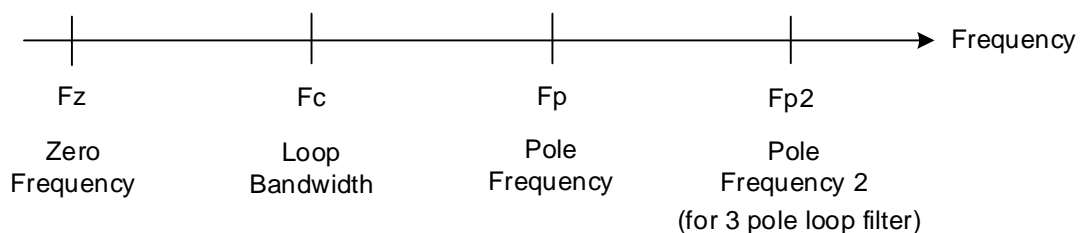


Figure 4. Approximate Region of Zero Frequency, Loop Bandwidth Frequency, and Pole Frequencies

## 4. Loop Filter Calculation

### 4.1 Second Order Loop Filter

Figure 5 shows a typical 2nd order loop filter. A step-by-step calculation to determine  $R_s$ ,  $C_s$ , and  $C_p$  values is described in this section. The required parameters for this part are also provided. A software tool for calculating the loop filter values is also available. Contact Renesas [tech support](#) for more information.

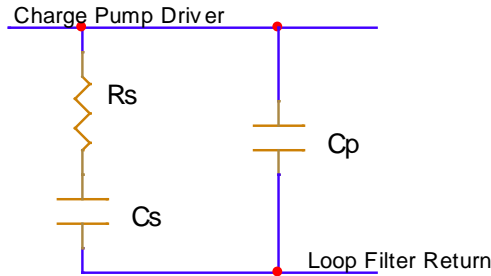


Figure 5. Typical 2nd Order Loop Filter

1. Determine desired loop bandwidth  $f_c$ . The  $f_c$  must satisfy the following condition:

$$\frac{F_{pd}}{f_c} \gg 20$$

where  $F_{pd}$  is phase detector input frequency.

2. Calculate  $R_s$ .

$$R_s = \frac{2 \cdot \pi \cdot f_c \cdot N}{I_{cp} \cdot K_{vco}}$$

where  $N$  is effective feedback divider.

$$N = \frac{F_{vco}}{F_{pd}}$$

$F_{vco}$  is VCO frequency.

$F_{pd}$  is the phase detector input frequency.

3. Calculate  $C_s$ .

$$C_s = \frac{\alpha}{2 \cdot \pi \cdot f_c \cdot R_c}$$

where,

$\alpha$  is ratio between loop bandwidth and the zero frequency,  $\alpha = f_c / f_z$ , recommend  $\alpha$  greater than 3.

$f_z$  is the zero frequency.

4. Calculate  $C_p$ .

$$C_p = \frac{C_s}{\alpha \cdot \beta}$$

where,

$\beta$  is ratio between pole frequency and loop bandwidth,  $\beta = f_p / f_c$ , recommend  $\beta$  greater than 3.

$f_p$  is the pole frequency.

5. Verify maximum Phase Margin, PM.

$$PM = \arctan\left(\frac{b-1}{2*\sqrt{b}}\right)$$

where

$$b = 1 + \frac{C_s}{C_p}$$

PM needs to be greater than 50 degrees for PLL to be stable.

## 4.2 Third Order Loop Filter

This section contains design information for a 3<sup>rd</sup> order loop filter. Figure 6 shows a typical 3<sup>rd</sup> order loop filter.

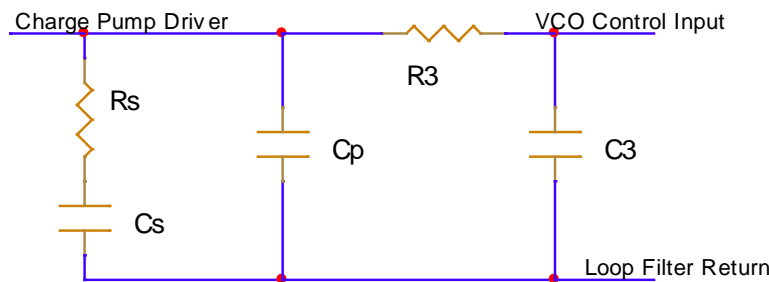


Figure 6. Typical 3rd Order Loop Filter

The  $R_s$ ,  $C_s$ , and  $C_p$  can be the actual standard values chosen in the 2<sup>nd</sup> order loop filter. The following equation helps determine the 3<sup>rd</sup> order loop filter  $R_3$  and  $C_3$ .

Pick an  $R_3$  value (suggested:  $R_3 \sim 1.5 \times R_s$ ).

$$C_3 = \frac{R_s * C_p}{R_3 * \gamma}$$

where,

$\gamma$  is ratio between the 1<sup>st</sup> pole frequency  $f_p$  and the 2<sup>nd</sup> pole frequency  $f_{p2}$ . Suggested:  $\gamma$  greater than 1.5.

The Timing Commander™ software tool can calculate the loop filter component values.

## 5. Loop Filter Calculation Examples

### 5.1 Second Order Loop Filter

This section provides a calculation example for the VCXO PLL loop filter value. In this example, the reference CLK input frequency is 122.88MHz and the VCXO = 122.88MHz. The PLL output is also 122.88MHz. The 8V19N491-24 VCXO phase lock loop block diagram is shown in Figure 7. A 2<sup>nd</sup> order loop filter for VCXO is shown in Figure 8.

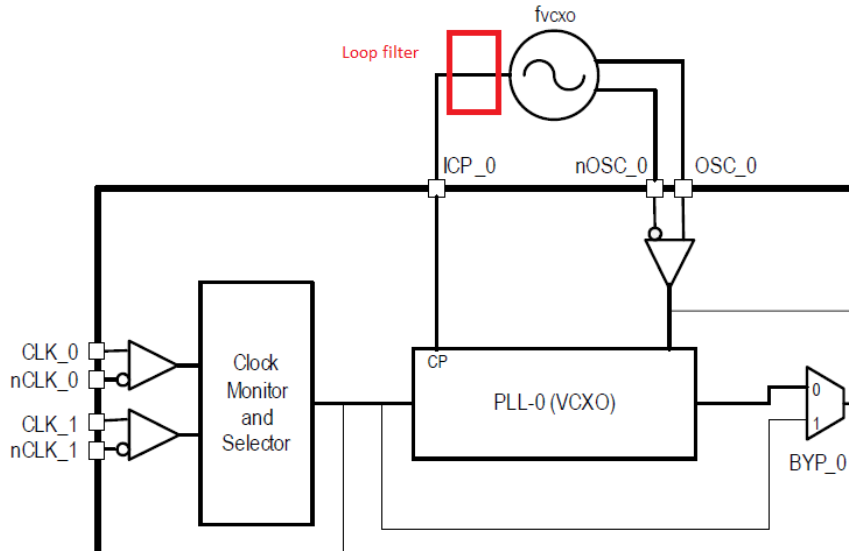


Figure 7. 8V19N491-24 VCXO Phase Lock Loop Block Diagram

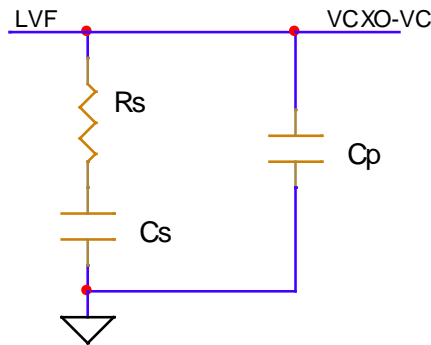


Figure 8. Typical 2nd Order Loop Filter

To calculate loop filter component values for loop bandwidth  $F_c = 40\text{Hz}$  with the reference CLK input frequency equals to  $122.88\text{MHz}$ , set input pre-divider  $P_v = 1024$ . The phase detector input frequency  $F_{pd} = 0.120\text{MHz}$ . This satisfies the conditions of:

$$F_{pd}/F_c \gg 20.$$

The VCXO frequency  $F_{vcxo} = 122.88\text{MHz}$ , the effective feedback divider

$$N = M_v = F_{vcxo} / F_{pd} = 1024$$

- Rs can be calculated from the equation:

$$R_s = \frac{2 * \pi * f_c * N}{I_{cp} * K_{vco}}$$

$$R_s \sim 24\text{k}\Omega$$

$K_{vco}$  VCO gain can be found or derived from the VCXO datasheet. The VCO gain can also be measured from the lab experiment. In this example, we use  $K_{vco} = 9\text{kHz/V}$ .

The 8V19N491-24 charge pump current can be set from  $50\mu\text{A}$  to  $1.6\text{mA}$  through registers. In this example, assume the charge pump current is programmed to  $1.25\text{mA}$ .

- Cs can be calculated from the following equation:

$$C_s = \frac{\alpha}{2 * \pi * f_c * R_s}$$

For  $\alpha = 3$ , Cs is calculated to be 5.22 $\mu$ F. Cs greater than this value can be used to assure that the  $\alpha$  is greater than 3. For example, the actual chosen value can be 10 $\mu$ F from a standard capacitor value.

- Cp can be calculated from the equation:

$$C_p = \frac{C_s}{\alpha * \beta}$$

For  $\beta = 4$ , Cp is calculated to be 145nF. Less than this value can be used for Cp to guarantee that the  $\beta$  is greater than 4 (e.g., actual chosen value Cp can be 47nF).

## 5.2 Third Order Loop Filter

This section describes how to determine a 3rd order loop filter for the 8V19N491-24 VCXO PLL. A typical 3rd order loop filter is shown in Figure 9.

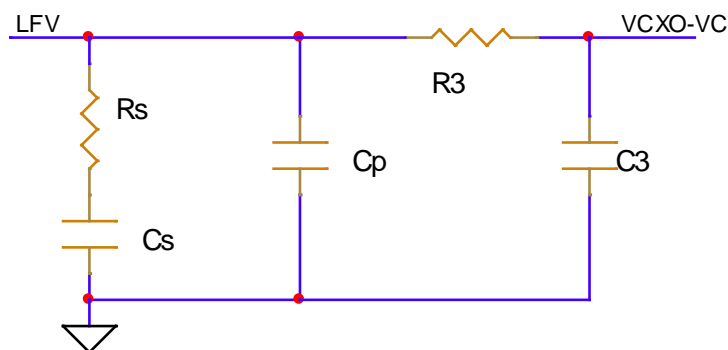


Figure 9. Typical 3rd Order Loop Filter

The Rs, Cs, and Cp are actual chosen standard values from the 2nd order loop filter. In this example, the actual chosen values are Rs = 24kOhm, Cs = 10 $\mu$ F, and Cp = 47nF. The following equation will help determine the 3rd order loop filter R3 and C3.

Pick an R3 value. Suggested: R3 ~ 0.5xRs to ~2.5xRs or greater (R3 = 36kOhm is used in this example).

- C3 can be calculated using the following equation:

$$C_3 = \frac{R_s * C_p}{R_3 * \gamma}$$

Pick  $\gamma = 3$  in this example.

C3 is calculated to be 10.44nF. A smaller standard capacitor value can be used.

Loop filter calculation tools are available using the same concept as the above calculations. The tool can be used for calculating loop component values after target loop filter is set. The calculated value may not be standard component values but can be chosen using the closest available standard values. After the closest standard values are selected, the final standard values can be entered by overwriting the existing default values and checking the phase noise margin to make sure the PLL is operating in a stable region.

The PM (phase margin) must be above 50 degrees for the PLL to be stable. Keeping the phase margin at approximately 65 degrees is recommended.

## 6. PLL Loop Filter and Loop Bandwidth Calculation: Examples and Lab Experiments

### 6.1 Lab Experiment Condition

The same loop filter example will be used for the lab experiment under the conditions of the following components and lab equipment:

Figure 10 shows the tool performs loop calculation as described in this document. Figure 11 shows the loop filter schematic applied in the board used for this experiment.

VCXO PLL of 8V19N491-24, the block diagram is shown in Figure 7. The function of this VCXO PLL is used for cleaning up the REF CLK input phase noise. For simplification, the CLK input frequency of 122.88MHz, VCXO = 122.88MHz and PLL output frequency of 122.88MHz will be used. All the phase noises in the same frequency without scaling the phase noise of each stage is observed.

REF CLK input source used in this example is Tektronix AFG3252. The frequency is set at 122.88MHz sinewave. The phase noise profile is shown in Figure 12. This is high-phase noise source. The effect of VCXO PLL clean up can be clearly observed.

VCXO = 122.88MHz Epson VG3225EFN,  $K_{vco} \sim 9\text{kHz/V}$ . The VCO gain,  $K_{vco}$ , can be estimated from the pull range  $\pm\text{ppm}$  provided in the datasheet. The VCXO gain can also be measured in the lab by sweeping VCXO control voltage and output frequency curve. The VCXO open loop phase noise performance is shown in Figure 13. The overlap VCXO phase noise and REF CLK phase noise comparison is shown in the Figure 14. Both are at 122.88MHz.

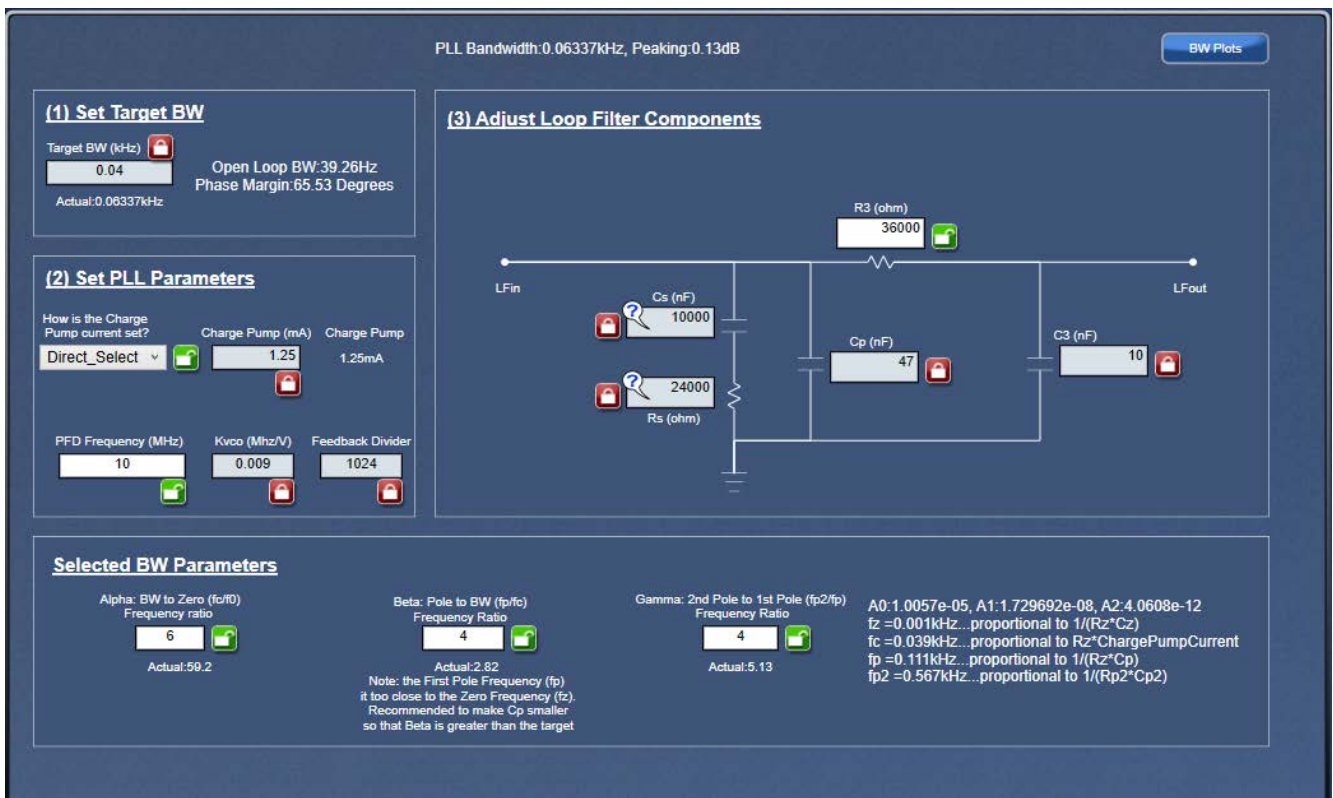


Figure 10. Loop Filter Calculation Tool Example



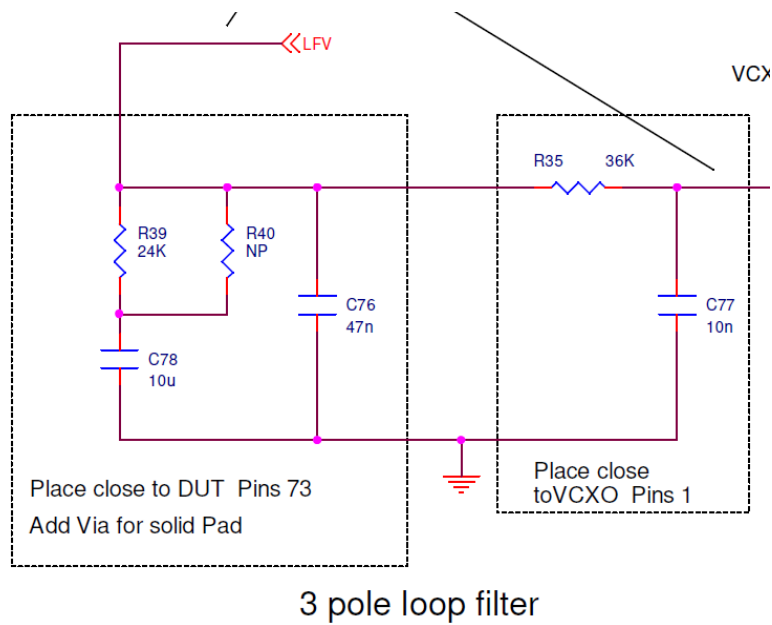


Figure 11. VCXO PLL Loop Filter Values used on the 8V19N491-24 Board

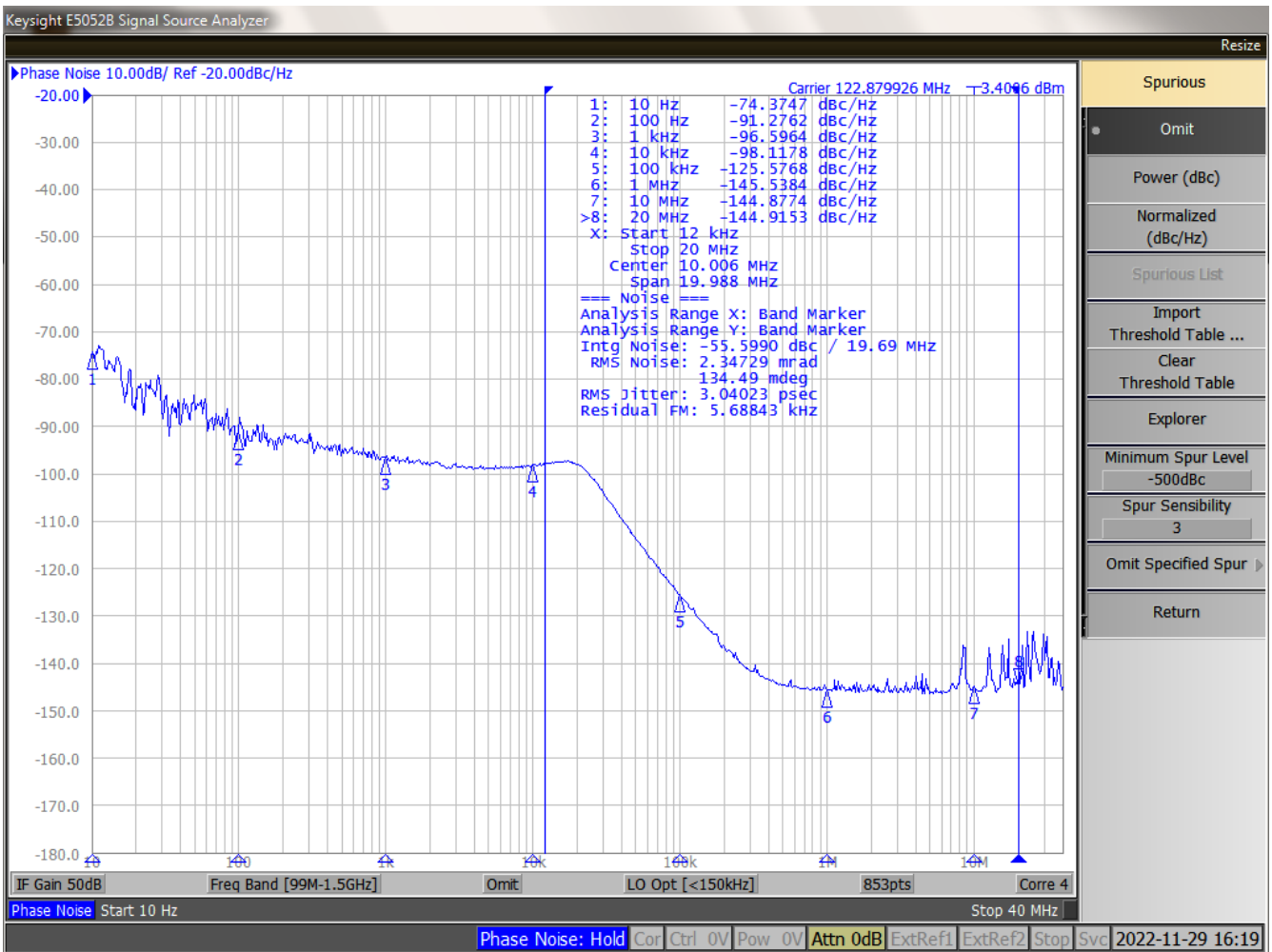


Figure 12. AFG3252=122.88MHz Phase Noise Used as PLL Reference CLK Input Signal Source

# PLL Loop Filter Design and Fine Tuning

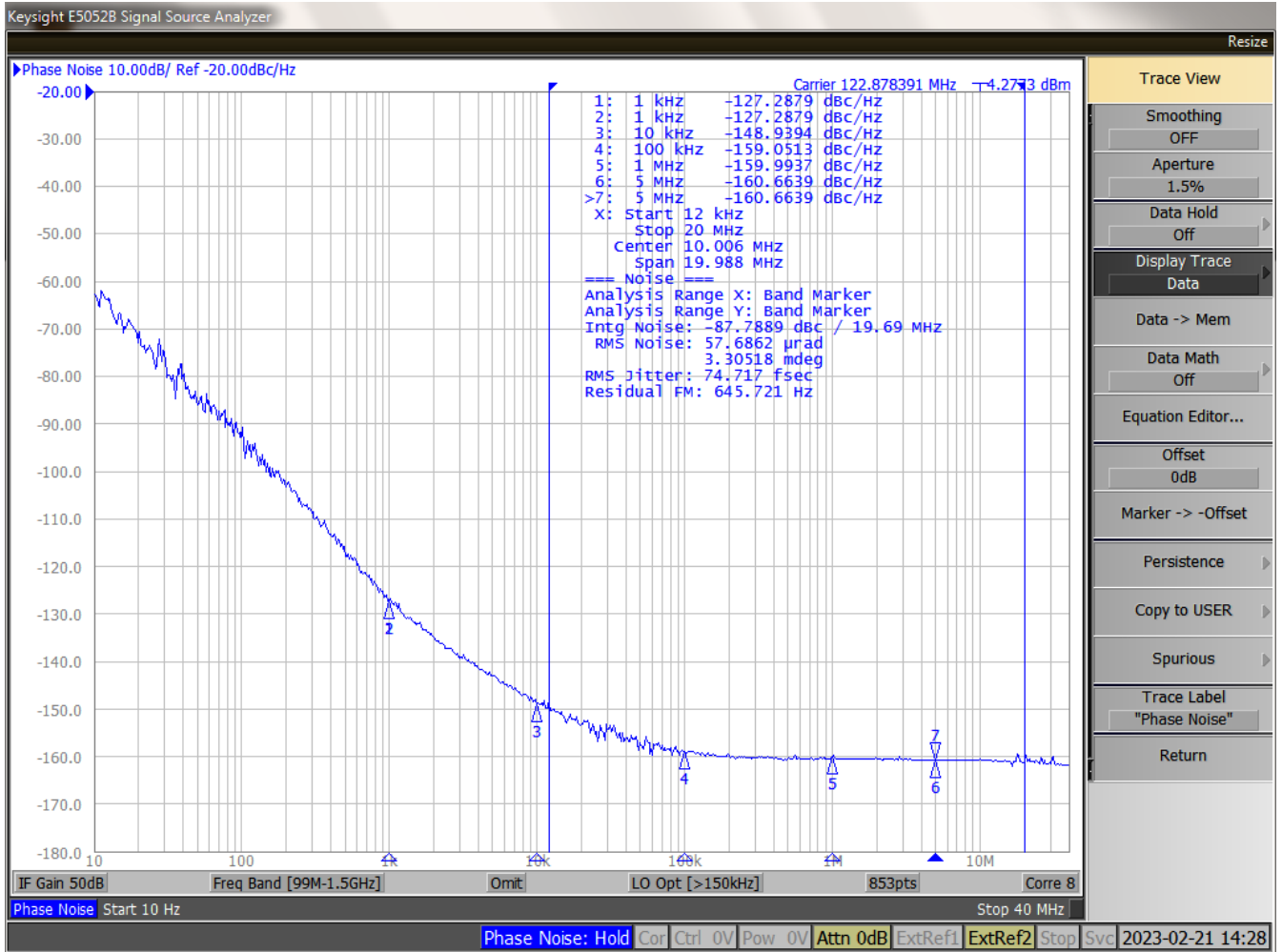


Figure 13. VG3225EFN VCXO Open Loop Phase Noise Performance

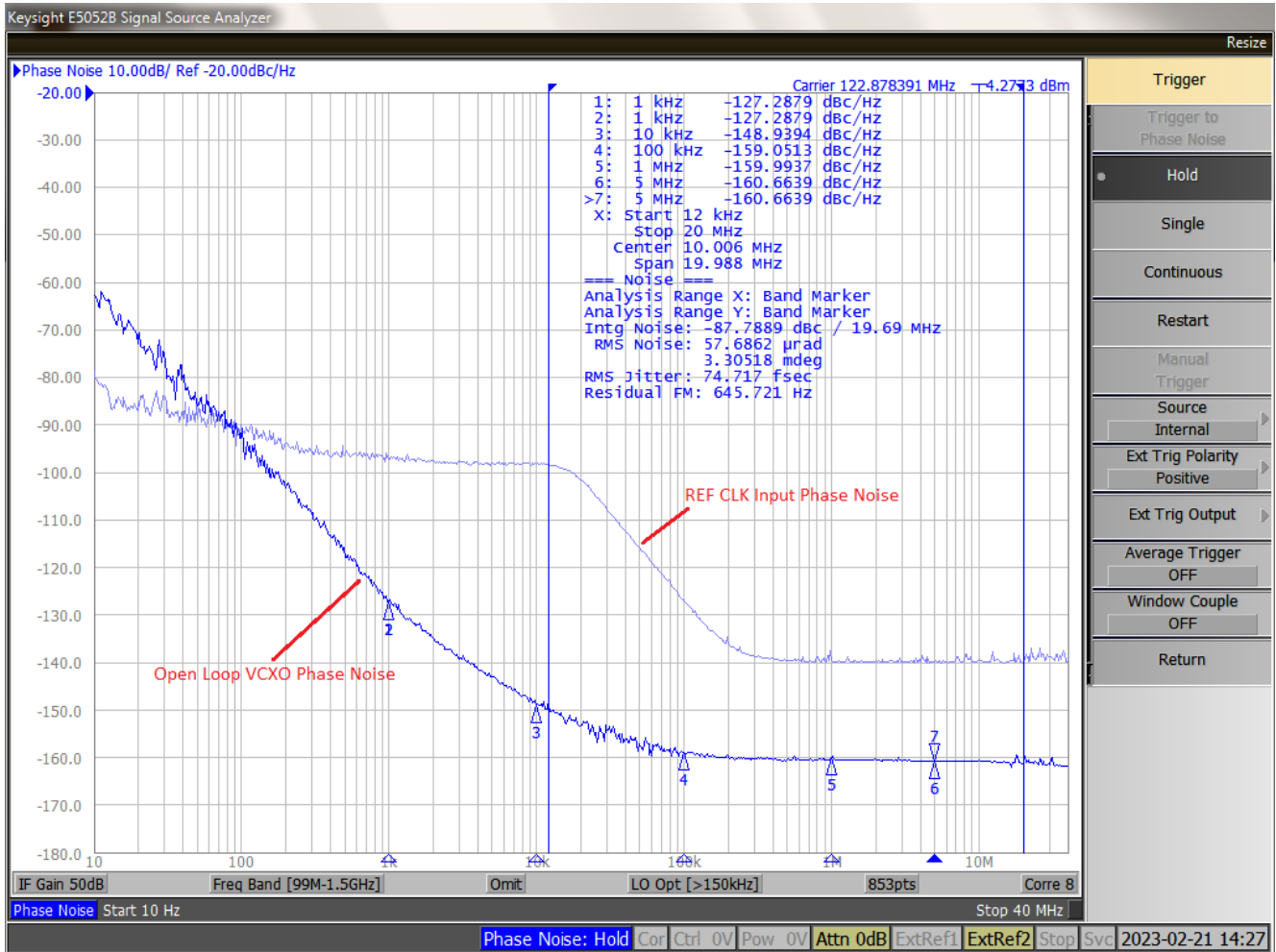


Figure 14. Open Loop VCXO Phase Noise vs AFG3252 REF CLK Input – both at 122.88MHz

## 6.2 Loop Bandwidth and Phase Noise Fine Tuning

Once the loop filter values are determined, the loop bandwidth can be adjusted further by setting charge current and feedback dividers. Proper setting of the charge pump current and feedback divider is required to assure the loop bandwidth operates at the stable region. Slightly adjusting the loop bandwidth may not be an issue, however, setting loop bandwidth too high or too low may cause issue. In the following experiments, we intentionally increase and decrease the loop bandwidth too high or too low to demonstrate the issue that may be encountered if the loop bandwidth is not set properly. Properly set loop bandwidth phase noise plots are also provided to demonstrate the optimized results.

- Experiment 1 – Loop Bandwidth Set Too High
- Experiment 2 – Loop Bandwidth Too Low
- Experiment 3 – Optimized Loop Bandwidth

### 6.2.1. Experiment 1 – Loop Bandwidth Set Too High

This experiment demonstrates the effect of loop bandwidth being set too high. In this experiment, the loop bandwidth is increased by increasing charge pump current and reducing the feedback divider. The results in Figure 15 and Figure 16 show that increasing the loop bandwidth to approximately 133Hz will allow more REF CLK phase noise pass through the PLL. The VCXO performance should have been able to be clean up this region.

Another issue in the example is the phase margin is approximately 26 degrees. This is far below the recommended 50 degrees. Phase margin too low is caused by the loop bandwidth being set to too high and close to the pole frequency  $F_p = 1/(2*\pi*Rs*Cp) = 141Hz$ . This indicates that the PLL is operating in an unstable region and causing peaking at ~200Hz region. To reduce the loop bandwidth, the setting needs to be more than 3 times below the pole frequency.

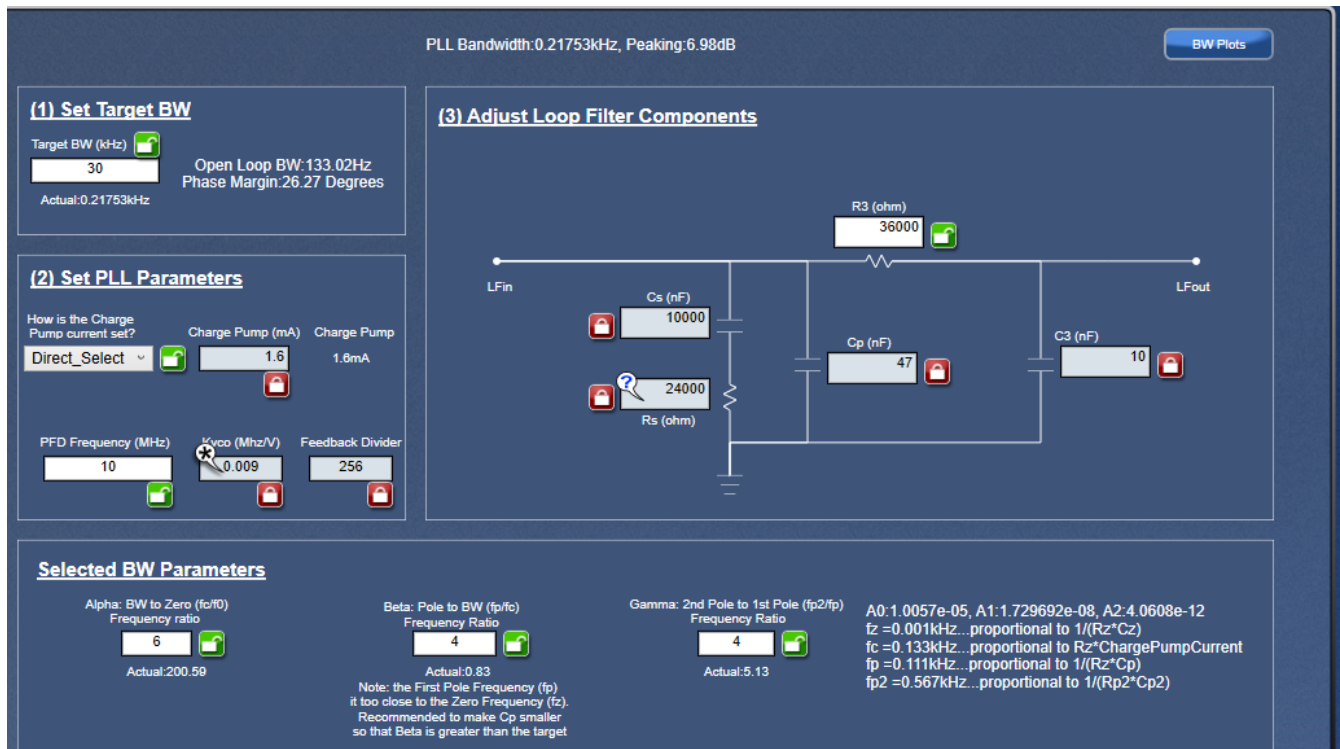


Figure 15. Loop Bandwidth and Phase Margin Result for Increasing Loop Bandwidth

# PLL Loop Filter Design and Fine Tuning

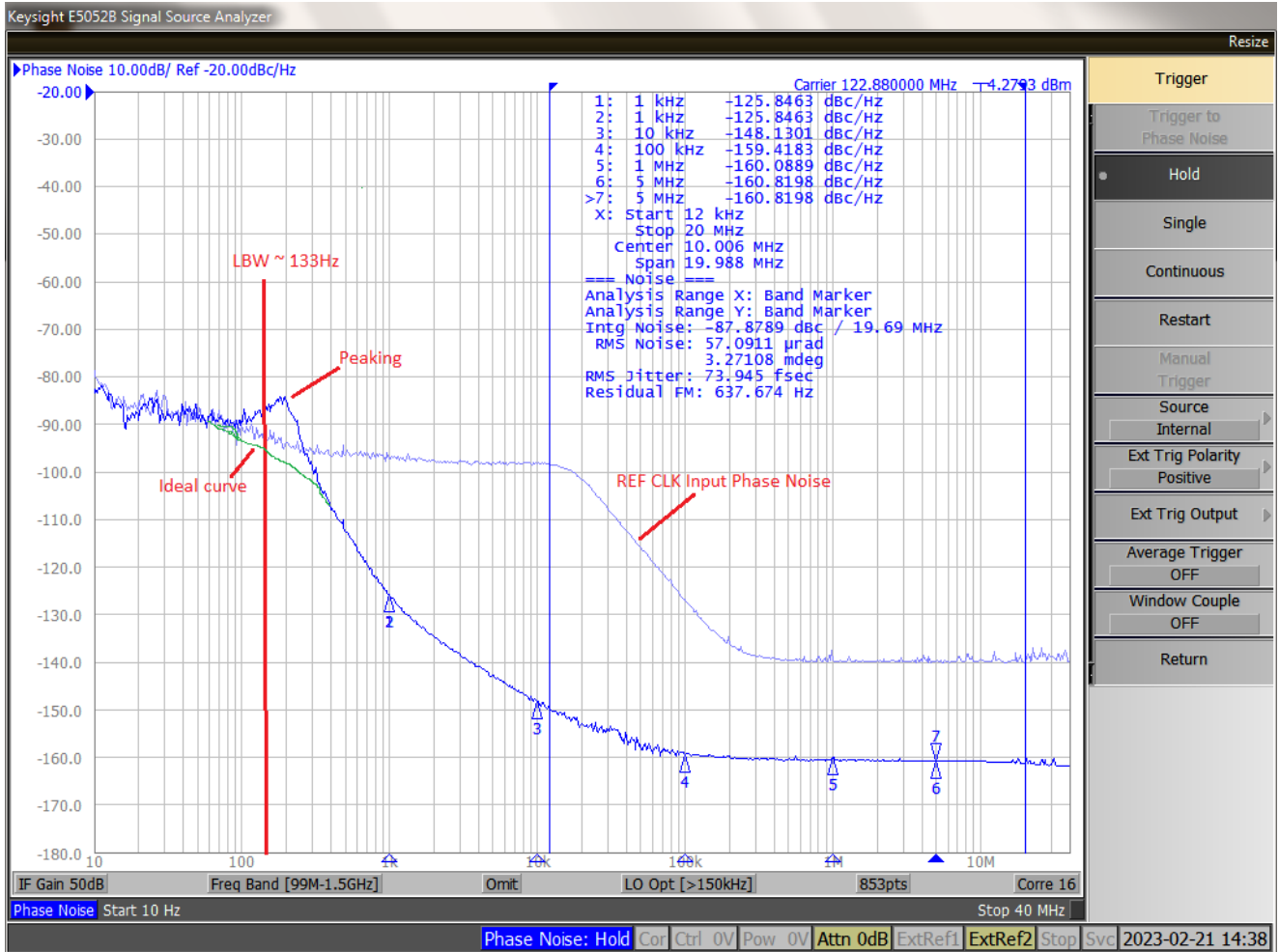


Figure 16. PLL Output Phase Noise for Loop Bandwidth Set Too High

### 6.2.2. Experiment 2 – Loop Bandwidth Set Too Low

This experiment demonstrates the effect of setting the loop bandwidth too low. In this experiment, the loop bandwidth is decreased by decreasing charge pump current. The results of this example in Figure 17 and Figure 18 show that decreasing the loop bandwidth to approximately 7Hz will allow more VCXO phase noise to pass through the PLL. The phase margin is 80 degrees, therefore, a stable PLL is not an issue in this example. In the low frequency region, the VCXO has a lesser performance than the REF CLK phase noise. The PLL output has a lower phase performance at a lower frequency region. The phase noise at the low frequency region can be improved.

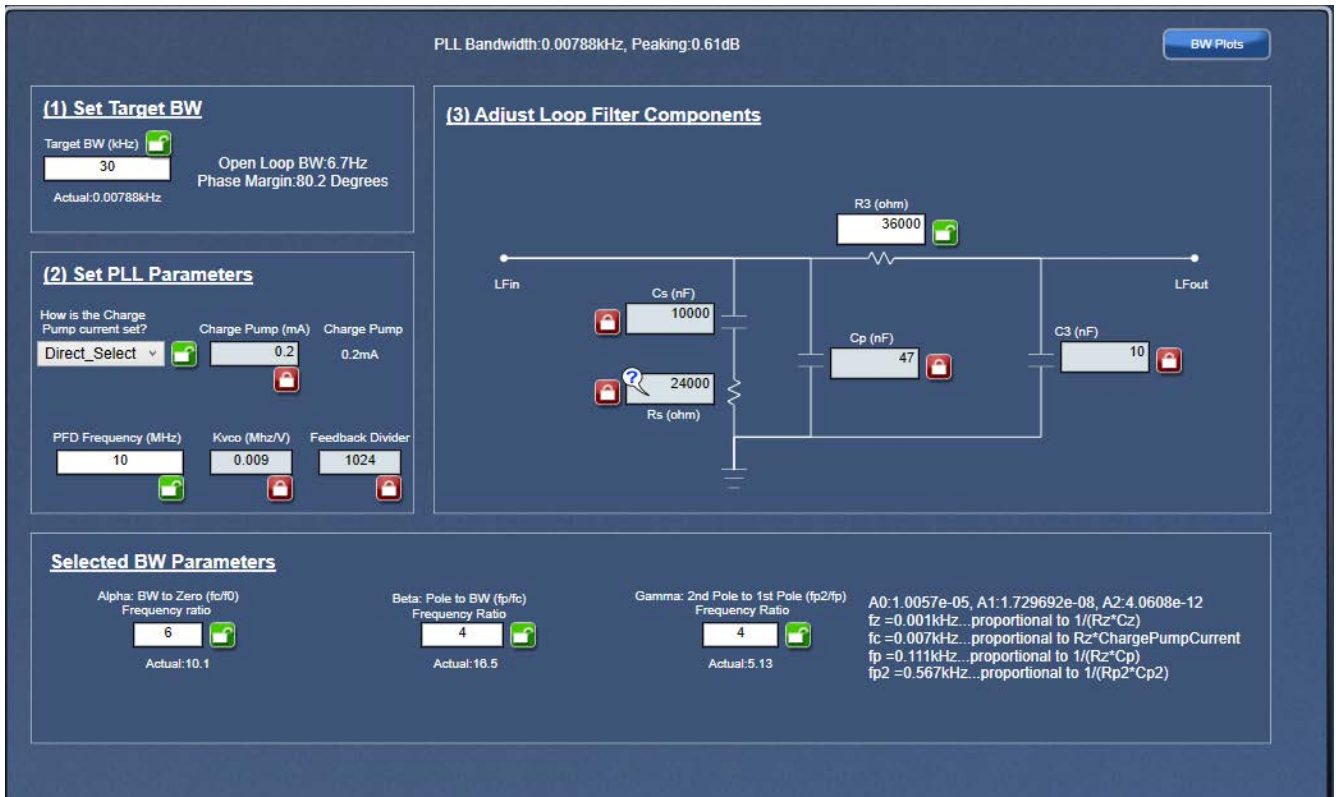


Figure 17. Loop Bandwidth and Phase Margin Result for Setting Loop Bandwidth Too Low

# PLL Loop Filter Design and Fine Tuning

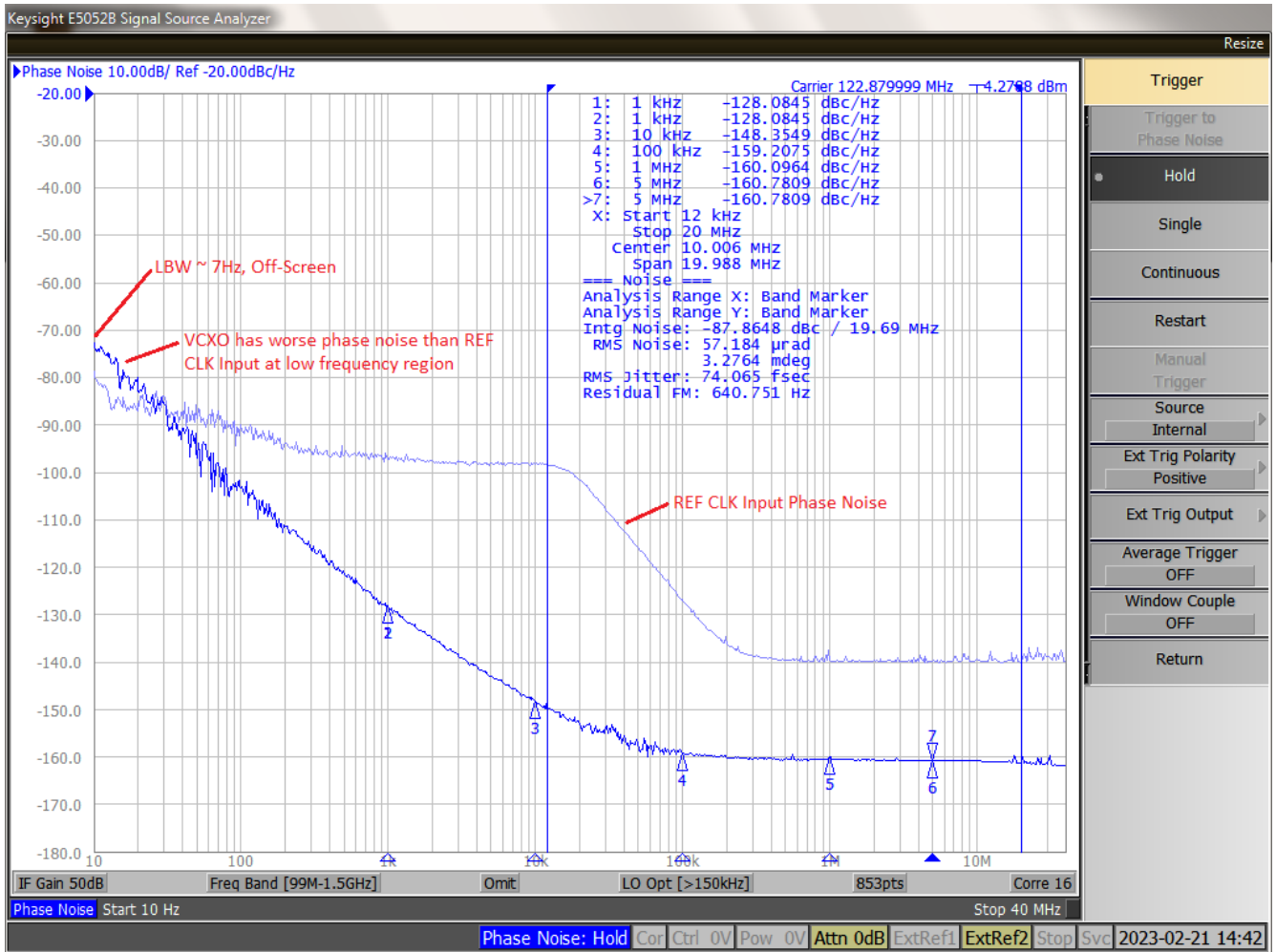


Figure 18. PLL Output Phase Noise for Loop Bandwidth Set Too Low

### 6.2.3. Experiment 3 – Optimized Loop Bandwidth

Figure 19 shows the loop bandwidth is approximately 40Hz, which is the calculated loop filter values. The phase margin is approximately 65 degrees. The phase noise output result in Figure 20 shows the VCXO PLL operating at a stable region and the phase noise cleaned up at the reference clock source.

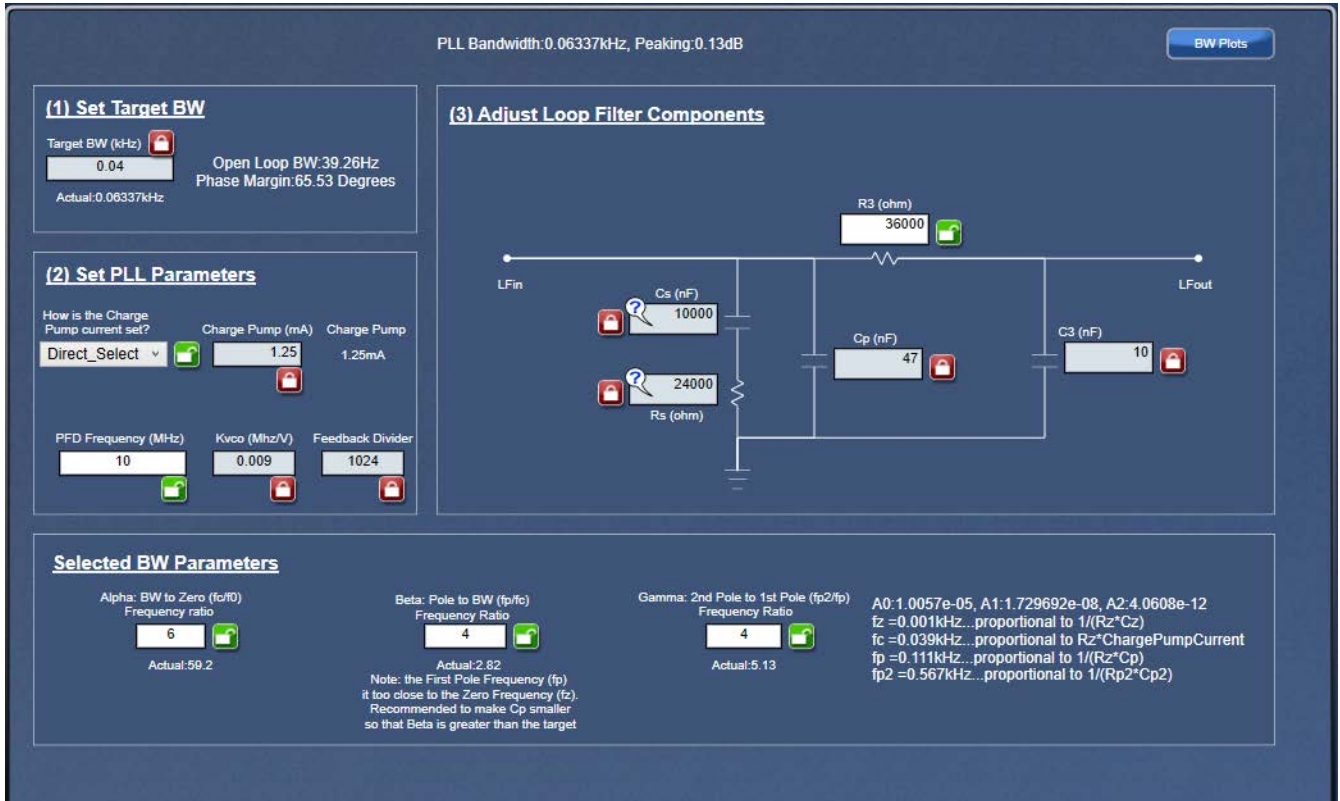


Figure 19. Loop Bandwidth = 40Hz and Phase Margin = 65 degrees



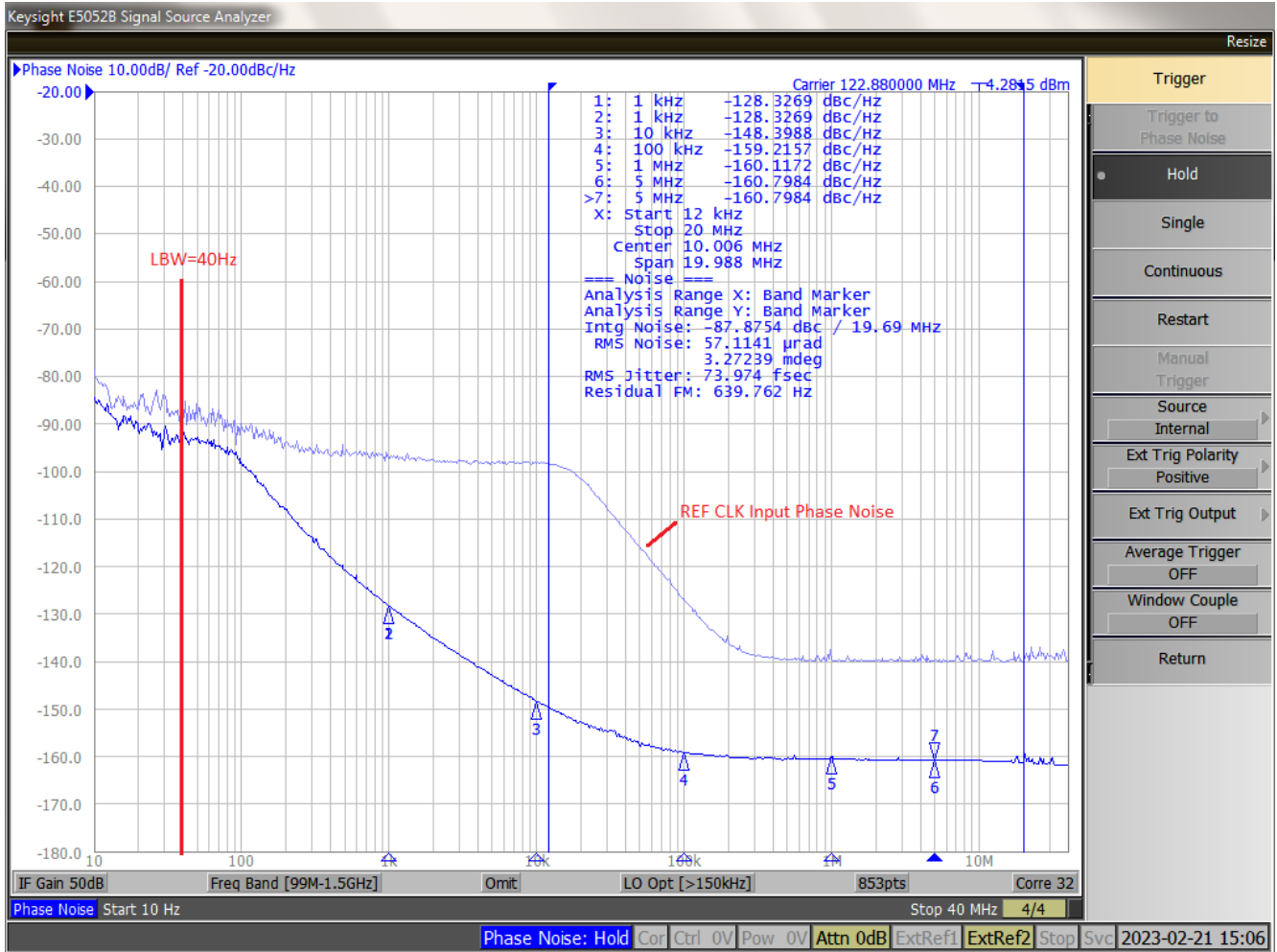


Figure 20. PLL Output Phase Noise with Optimized Loop Bandwidth

## 7. Revision History

Revision	Date	Description
1.00	Feb 28, 2023	Initial release.

## IMPORTANT NOTICE AND DISCLAIMER

RENESAS ELECTRONICS CORPORATION AND ITS SUBSIDIARIES (“RENESAS”) PROVIDES TECHNICAL SPECIFICATIONS AND RELIABILITY DATA (INCLUDING DATASHEETS), DESIGN RESOURCES (INCLUDING REFERENCE DESIGNS), APPLICATION OR OTHER DESIGN ADVICE, WEB TOOLS, SAFETY INFORMATION, AND OTHER RESOURCES “AS IS” AND WITH ALL FAULTS, AND DISCLAIMS ALL WARRANTIES, EXPRESS OR IMPLIED, INCLUDING, WITHOUT LIMITATION, ANY IMPLIED WARRANTIES OF MERCHANTABILITY, FITNESS FOR A PARTICULAR PURPOSE, OR NON-INFRINGEMENT OF THIRD-PARTY INTELLECTUAL PROPERTY RIGHTS.

These resources are intended for developers who are designing with Renesas products. You are solely responsible for (1) selecting the appropriate products for your application, (2) designing, validating, and testing your application, and (3) ensuring your application meets applicable standards, and any other safety, security, or other requirements. These resources are subject to change without notice. Renesas grants you permission to use these resources only to develop an application that uses Renesas products. Other reproduction or use of these resources is strictly prohibited. No license is granted to any other Renesas intellectual property or to any third-party intellectual property. Renesas disclaims responsibility for, and you will fully indemnify Renesas and its representatives against, any claims, damages, costs, losses, or liabilities arising from your use of these resources. Renesas' products are provided only subject to Renesas' Terms and Conditions of Sale or other applicable terms agreed to in writing. No use of any Renesas resources expands or otherwise alters any applicable warranties or warranty disclaimers for these products.

(Disclaimer Rev.1.01 Jan 2024)

### Corporate Headquarters

TOYOSU FORESIA, 3-2-24 Toyosu,  
Koto-ku, Tokyo 135-0061, Japan  
[www.renesas.com](http://www.renesas.com)

### Trademarks

Renesas and the Renesas logo are trademarks of Renesas Electronics Corporation. All trademarks and registered trademarks are the property of their respective owners.

### Contact Information

For further information on a product, technology, the most up-to-date version of a document, or your nearest sales office, please visit [www.renesas.com/contact-us/](http://www.renesas.com/contact-us/).