

# Application Note

## Incremental Encoder from HDD Motor

### AN-CM-221

#### Abstract

*The application note shows how to create incremental encoder from HDD motor using [GreenPAK™](#) IC.*

*This application note comes complete with design files which can be found in the References section.*

---

---



---

**Incremental Encoder from HDD Motor**

## Contents

<b>Abstract</b> .....	<b>1</b>
<b>Contents</b> .....	<b>2</b>
<b>Figures</b> .....	<b>2</b>
<b>1 Terms and Definitions</b> .....	<b>3</b>
<b>2 References</b> .....	<b>3</b>
<b>3 Introduction</b> .....	<b>4</b>
<b>4 Brushless DC Motor Theory</b> .....	<b>4</b>
<b>5 GreenPAK Circuit Design Analysis</b> .....	<b>5</b>
<b>6 Circuit operation</b> .....	<b>6</b>
<b>7 Conclusion</b> .....	<b>7</b>
<b>Revision History</b> .....	<b>8</b>

## Figures

Figure 1: 12 Tooth BLDC Motor .....	4
Figure 2: BLDC Motor Coil Placement .....	5
Figure 3: Design View in GreenPAK Designer.....	5
Figure 4: Encoder Application Circuit .....	6
Figure 5: Increment Operation .....	7
Figure 6: Decrement Operation.....	7

---

---

## Incremental Encoder from HDD Motor

### 1 Terms and Definitions

BLDC Motor	Brushless DC Motor
CNC	Computer Numerical Control
HDD	Hard Drive Stepper
IC	Integrated Circuits

### 2 References

For related documents and software, please visit:

[GreenPAK™ Programmable Mixed-Signal Products | Renesas](#)

Download our free [GreenPAK™ Designer](#) software [1] to open the .gp files [2] and view the proposed circuit design. Use the [GreenPAK](#) development tools [3] to freeze the design into your own customized IC in a matter of minutes. Renesas Electronics provides a complete library of application notes [4] featuring design examples as well as explanations of features and blocks within the IC.

- [1] [GreenPAK Designer Software](#), Software Download and User Guide, Renesas Electronics
- [2] [Incremental Encoder from HDD Motor.gp](#), [GreenPAK Design File](#), Renesas Electronics
- [3] [GreenPAK Development Tools](#), [GreenPAK Development Tools Webpage](#), Renesas Electronics
- [4] [GreenPAK Application Notes](#), [GreenPAK Application Notes Webpage](#), Renesas Electronics
- [5] [SLG46110V](#), Datasheet, Renesas Electronics
- [6] [Encoder from HDD Motor](#), YouTube Video, Renesas Electronics

Author: Volodymyr Batih

## Incremental Encoder from HDD Motor

### 3 Introduction

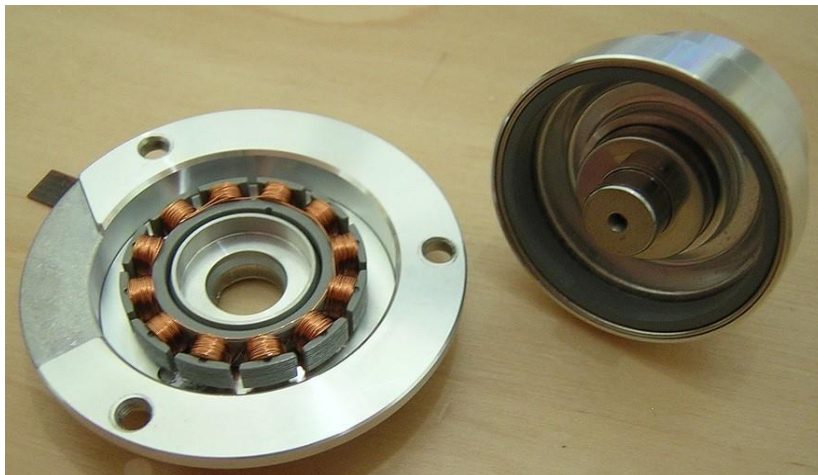
Encoders are widely used to translate rotary or linear motion into a digital signal. They are useful for monitoring or controlling motion parameters such as speed, rate, direction, distance or position. These parameters are necessary for countless applications that translate motion parameters into information like motor feedback, linear measurement, and X-Y positioning. Encoders can be found everywhere from complex computer numerical control (CNC) machines to computer mice. There are several types of rotary encoders. Absolute and relative (incremental) encoders are the two main types. An absolute encoder outputs a value proportional to the current state, whereas an incremental encoder outputs a change in state and its direction.

To create a reliable, almost unbreakable incremental encoder, an HDD motor designed to operate over thousands of turns can be a good solution. All you need is to connect it to a [GreenPAK IC](#).

### 4 Brushless DC Motor Theory

Any BLDC motor has two primary parts: the rotor, the rotating part; and the stator, the stationary part. Important components of the two parts are the stator windings and the rotor magnets.

In an outer rotor design, the windings are located in the core of the motor. The rotor magnets surround the stator windings (see [Figure 1](#)).



**Figure 1: 12 Tooth BLDC Motor**

Standard 3-phase circuits take on two major forms with names that represent the way in which the single-phase networks are connected: a Star-connected network, also known as Y-connected, symbolized by the letter Y; and a Delta connected network, symbolized by  $\Delta$  (delta). In our case we will be looking only at the Star type connection.

Incremental Encoder from HDD Motor

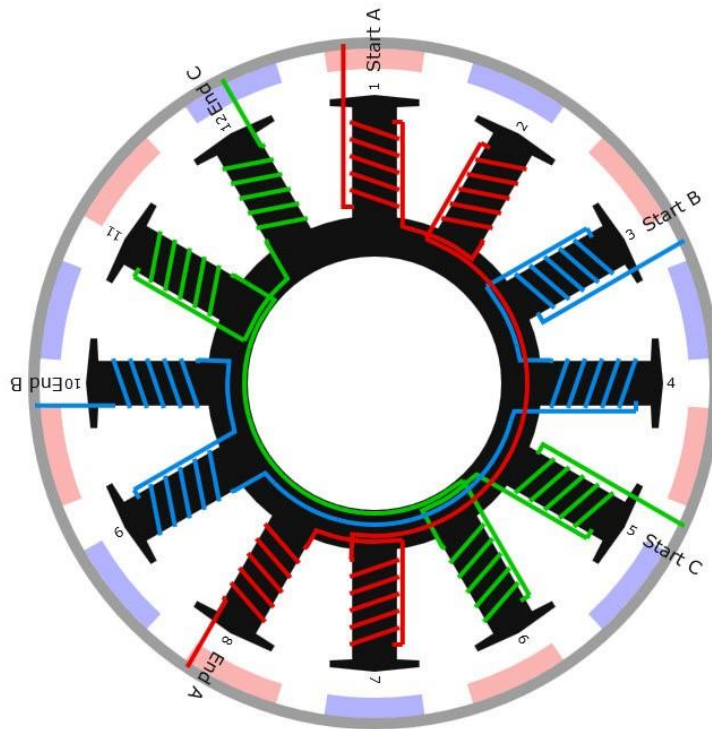


Figure 2: BLDC Motor Coil Placement

### 5 GreenPAK Circuit Design Analysis

Let's start from the left side of the design shown in Figure 3. We have two analog comparators (ACMPs) connected to the appropriate inputs to monitor voltage on the motor coils. Next, we have two delays (DLYs) configured for both edges to filter any possible noise from the inputs. Two DFFs take on the role of signal sequence dependent switches. To understand this better, note that all design operation is based on a signal race between input Pins 6 (IN#2) and 3 (IN#1). For example, if the signal on the input of ACMP1 reaches the threshold before ACMP0, only DFF2 will be ready to switch to a HIGH state. All we need then is to wait for the HIGH signal from ACMP0's output, and vice versa. Thus, we will have pulses on Pin10 (Increment) or Pin12 (Decrement). From that point, we have an operational rotation encoder.

As you can see in Figure 3, PIN9 is named Buzzer. Each time a pulse appears on DFF2 or DFF3, cells PDLY and CNT3 / DLY3 generate a 1 ms pulse for a BPT-14 model piezo sound transducer. This creates a soft clicking sound while the encoder is rotating and helps the user to understand how much the encoder was rotated.

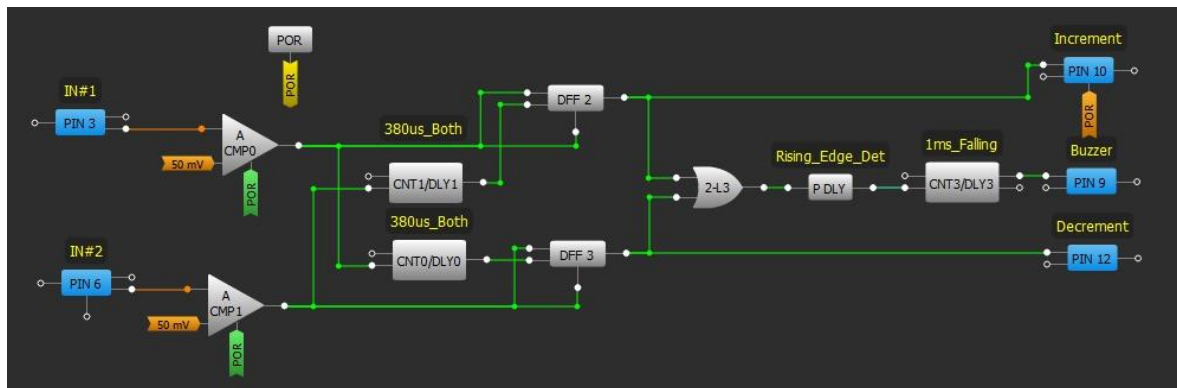


Figure 3: Design View in GreenPAK Designer

## Incremental Encoder from HDD Motor

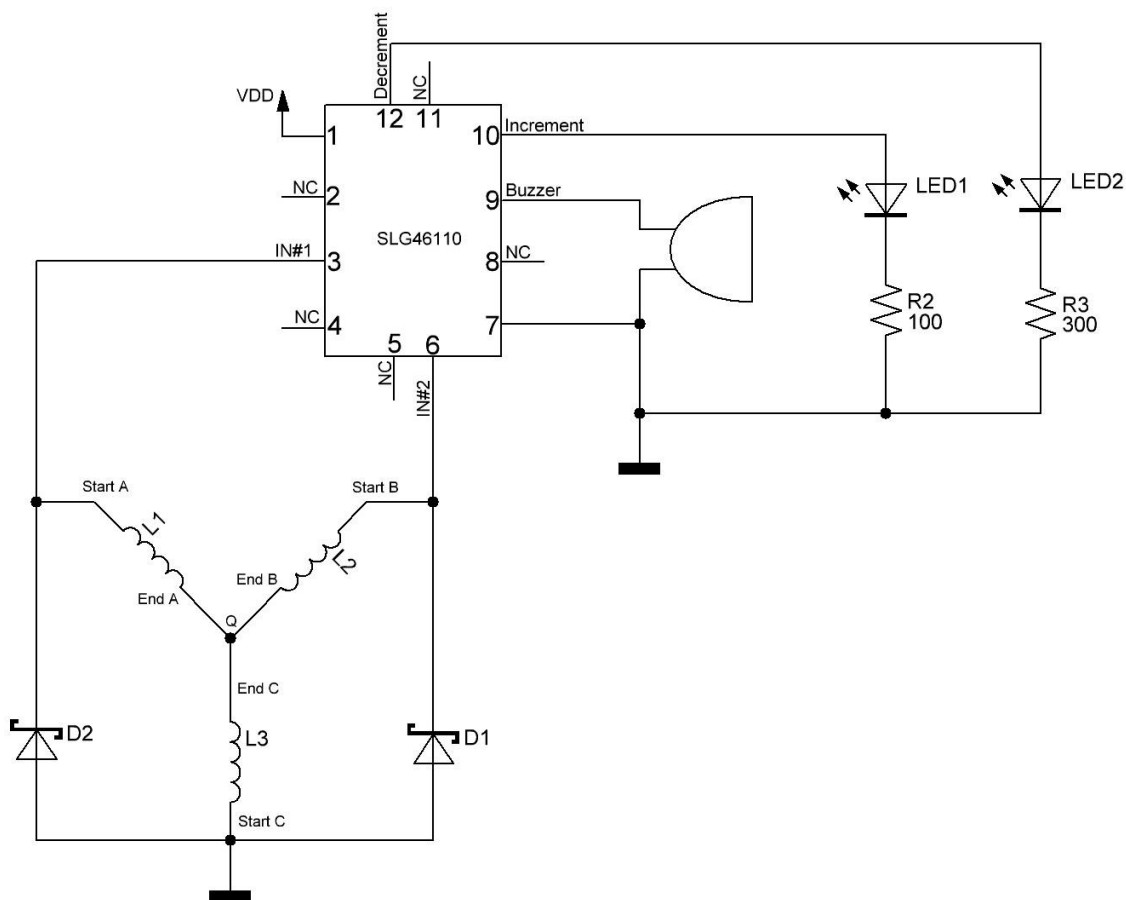


Figure 4: Encoder Application Circuit

## 6 Circuit operation

In Figure 4 you can see the way the coils are connected. We use two Schottky diodes, D1 and D2, to limit negative (relative to GND) voltage phase. To define the Pinout of the HDD motor you can simply measure coil resistance with a multimeter. To properly connect the motor to the GreenPAK IC as shown in Figure 4, we measured the resistance between coils until we found 3 separate coils (1.9  $\Omega$  in our case) and the common point “Q”.

The functionality waveform of a real HDD motor encoder circuit created in GreenPAK Designer is shown in Figure 5 and Figure 6, in which Channel1 (yellow / top line) – PIN3 (IN#1), Channel2 (light blue / 2nd line) – Pin6 (IN#2), Channel3 (magenta / 3rd line) – Pin10 (Increment), Channel4 (blue / bottom line) – Pin12 (Decrement). As can be seen in Figure 5 and Figure 6, we can easily define which output channel to toggle by the sequence of input Pins 3 (IN#1) and 6 (IN#2).

## Incremental Encoder from HDD Motor

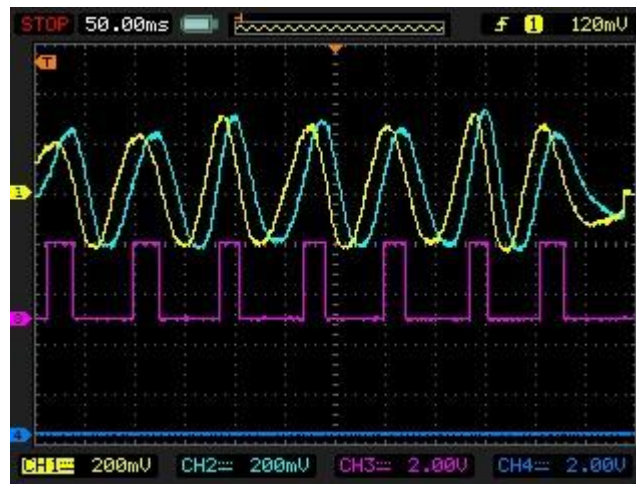


Figure 5: Increment Operation

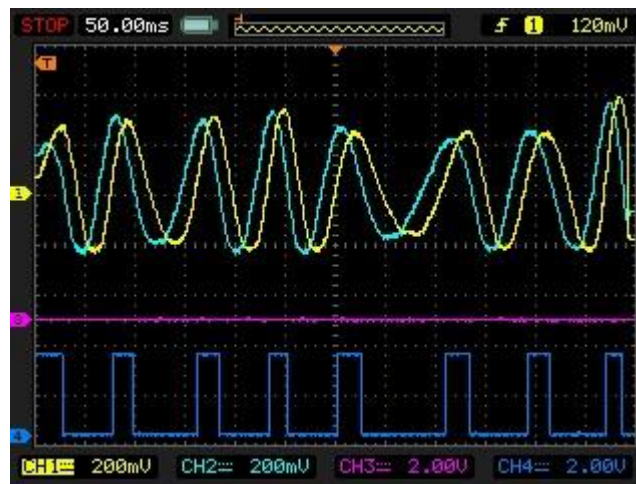


Figure 6: Decrement Operation

## 7 Conclusion

GreenPAK IC's are readily suitable for this application because of their low current consumption, small package size, and flexibility in operation. The benefit of such an encoder is its reliability because of the absence of direct electrical contact. Its operation is very similar to an optical encoder except that the motor will give some threshold in speed of rotation to start detecting a useful signal.

*Note: for proper circuit operation, do not forget to configure the input and output Pins correctly. As shown in the schematic, Pins 3 and 6 inputs are to be configured as Analog input and all outputs as 2x Push Pull with the largest possible current drive mode.*

---

---

**Incremental Encoder from HDD Motor****Revision History**

Revision	Date	Description
1.0	26-Feb-2018	Initial version.



## IMPORTANT NOTICE AND DISCLAIMER

RENESAS ELECTRONICS CORPORATION AND ITS SUBSIDIARIES (“RENESAS”) PROVIDES TECHNICAL SPECIFICATIONS AND RELIABILITY DATA (INCLUDING DATASHEETS), DESIGN RESOURCES (INCLUDING REFERENCE DESIGNS), APPLICATION OR OTHER DESIGN ADVICE, WEB TOOLS, SAFETY INFORMATION, AND OTHER RESOURCES “AS IS” AND WITH ALL FAULTS, AND DISCLAIMS ALL WARRANTIES, EXPRESS OR IMPLIED, INCLUDING, WITHOUT LIMITATION, ANY IMPLIED WARRANTIES OF MERCHANTABILITY, FITNESS FOR A PARTICULAR PURPOSE, OR NON-INFRINGEMENT OF THIRD-PARTY INTELLECTUAL PROPERTY RIGHTS.

These resources are intended for developers who are designing with Renesas products. You are solely responsible for (1) selecting the appropriate products for your application, (2) designing, validating, and testing your application, and (3) ensuring your application meets applicable standards, and any other safety, security, or other requirements. These resources are subject to change without notice. Renesas grants you permission to use these resources only to develop an application that uses Renesas products. Other reproduction or use of these resources is strictly prohibited. No license is granted to any other Renesas intellectual property or to any third-party intellectual property. Renesas disclaims responsibility for, and you will fully indemnify Renesas and its representatives against, any claims, damages, costs, losses, or liabilities arising from your use of these resources. Renesas' products are provided only subject to Renesas' Terms and Conditions of Sale or other applicable terms agreed to in writing. No use of any Renesas resources expands or otherwise alters any applicable warranties or warranty disclaimers for these products.

(Disclaimer Rev.1.01 Jan 2024)

### Corporate Headquarters

TOYOSU FORESIA, 3-2-24 Toyosu,  
Koto-ku, Tokyo 135-0061, Japan  
[www.renesas.com](http://www.renesas.com)

### Trademarks

Renesas and the Renesas logo are trademarks of Renesas Electronics Corporation. All trademarks and registered trademarks are the property of their respective owners.

### Contact Information

For further information on a product, technology, the most up-to-date version of a document, or your nearest sales office, please visit [www.renesas.com/contact-us/](http://www.renesas.com/contact-us/).