

Fixed DC/DC Regulator Output Margining Using a Digitally Controlled Potentiometer

Many applications using a DC/DC regulator are implemented with a resistor divider in the feedback path to set up Vout. However, for some high end applications, the voltage needs to be adjusted in order to optimize the application's performance. A Digitally Controlled Potentiometer (DCP) can be used in both high end and low end applications to provide this flexibility.

The typical Buck DC/DC converter scheme includes a PWM driver, switches, inductor, filter, and feedback divider (Figure 1).

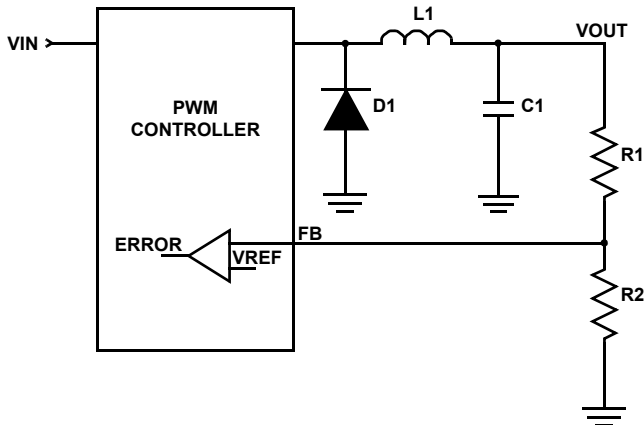


FIGURE 1. TYPICAL BUCK DC/DC CONVERTER

The feedback voltage, FB, from the resistor divider R1 and R2, is a negative input for the error amplifier of the voltage control loop. In addition to the point of load regulation, the feedback divider also sets up the desired output voltage, Vout. In other words, Vout is programmable through an external resistor divider based on Equation 1.

$$V_{out} = V_{ref} \cdot \left(\frac{R1}{R2} + 1 \right) \quad (EQ. 1)$$

where Vref is a reference voltage and a positive input for the error amplifier.

The minimum output voltage can be set as low as Vref, according to Equation 1. The maximum output is also determined by the resistor divider ratio, as well as input voltage and the maximum duty cycle. The reference voltage, Vref, can be obtained from a PWM controller datasheet.

Thus, making the feedback divider adjustable makes the DC/DC regulator also adjustable, as shown in Figure 2.

The adjustable output voltage of the DC/DC regulator can be expressed by Equation 2.

$$V_{out} = V_{ref} \cdot \left(\frac{R1}{R2 + R_w + R_{total} \cdot code / (n - 1)} + 1 \right) \quad (EQ. 2)$$

where R1 and R2 are fixed resistors, Rw is a wiper resistance, Rtotal is the total resistance of the DCP, code is a decimal code of wiper position and n is a total number of wiper taps.

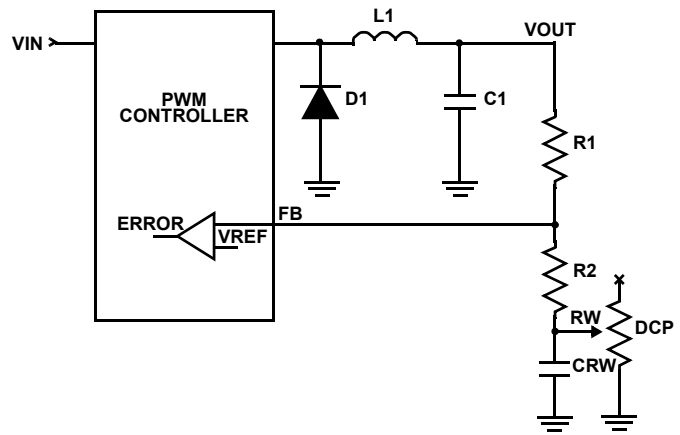


FIGURE 2. ADJUSTABLE POINT OF LOAD DC/DC REGULATOR

The advantages of having the DCP in series with the R2 resistor (rather than in parallel) are easier calculation and bandwidth limitation of the DCP. The DCP terminals have a parasitic capacitance of 10pF to 25pF, which is shown in Figure 2 as Crw. Connecting any of the DCP terminals to the FB node will cause phase shift and may decrease DC/DC regulator performance, such as transient response and stability.

The right DCP should be chosen to meet the application requirements based on knowing the Vout adjusting range and desired resolution. For example, we would like to adjust the Vout output voltage of a DC/DC regulator, built on the ISL85001 PWM controller, in a range from 0.8V to 3.3V.

The DCP total resistance, Rtotal, R1 and R2 resistor values can be derived from Equation 2. For simplicity, it can be overwritten as Equation 3, where the wiper resistance is counted together with the R2 serial resistor. The suggested value of the R2 resistor should be less than or equal to 0.1 * Rtotal in order to have a bigger adjusting range.

$$V_{out} = V_{ref} \cdot \frac{R1 + 0.1R_{total} + R_{total} \cdot code / (n - 1)}{0.1R_{total} + R_{total} \cdot code / (n - 1)} \quad (EQ. 3)$$

The maximum Vout will be at code = 0

$$V_{out(max)} = V_{ref} \cdot \frac{R1 + 0.1R_{total}}{0.1R_{total}} \quad (EQ. 4)$$

and the minimum Vout will be at max code = n - 1

$$V_{out(min)} = V_{ref} \cdot \frac{R1 + 1.1R_{total}}{1.1R_{total}} \quad (EQ. 5)$$

According to the ISL85001 datasheet, the internal Vref = 0.6V and the recommended value for the R1 resistor is from 1kΩ to 10kΩ. Since the number of Rtotal values of the DCPs are

Fixed DC/DC Regulator Output

limited, let's select the $R_{total} = 10k\Omega$ first and then calculate R1 and R2.

$$R1 = 0.1R_{total} \cdot \frac{V_{out(max)} - V_{ref}}{V_{ref}} = 1k\Omega \cdot \frac{3.3V - 0.6V}{0.6V} = 4.5k\Omega$$

$$R2 \leq 1k\Omega \quad (EQ. 6)$$

Thus, the ideal DCP for this example should have an R_{total} resistance of $10k\Omega$ and minimum wiper resistance.

There are some other features that should be taken into account when choosing the appropriate DCP, such as digital interface, non-volatile programmability, R_{total} tolerance and Temperature Coefficient (TCr). Most of the available DCPs on the market have a $\pm 20\%$ R_{total} tolerance from part to part. That means each DC/DC regulator requires calibration and that the calibrated value of the wiper position can be stored in the non-volatile memory.

The perfect solution for DC/DC margining uses a 1% precision DCP, like the ISL22317, which eliminates the necessity of individual calibration and provides 0Ω of wiper resistance and low TCr. The V_{out} curve versus ISL22317W tap position is shown in Figure 3. Since Equation 2 is a hyperbola, the V_{out} resolution per step changes with the tap position, from 50mV per tap at the low end to 2mV per tap at the high end of the DCP settings in our example.

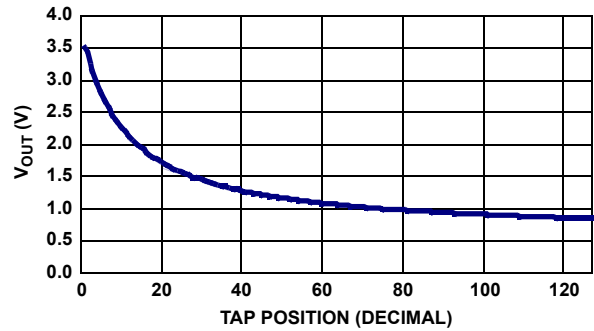


FIGURE 3. THE ISL85001 VOUT vs THE ISL22317W TAP POSITION

Notice

1. Descriptions of circuits, software and other related information in this document are provided only to illustrate the operation of semiconductor products and application examples. You are fully responsible for the incorporation or any other use of the circuits, software, and information in the design of your product or system. Renesas Electronics disclaims any and all liability for any losses and damages incurred by you or third parties arising from the use of these circuits, software, or information.
2. Renesas Electronics hereby expressly disclaims any warranties against and liability for infringement or any other claims involving patents, copyrights, or other intellectual property rights of third parties, by or arising from the use of Renesas Electronics products or technical information described in this document, including but not limited to, the product data, drawings, charts, programs, algorithms, and application examples.
3. No license, express, implied or otherwise, is granted hereby under any patents, copyrights or other intellectual property rights of Renesas Electronics or others.
4. You shall not alter, modify, copy, or reverse engineer any Renesas Electronics product, whether in whole or in part. Renesas Electronics disclaims any and all liability for any losses or damages incurred by you or third parties arising from such alteration, modification, copying or reverse engineering.
5. Renesas Electronics products are classified according to the following two quality grades: "Standard" and "High Quality". The intended applications for each Renesas Electronics product depends on the product's quality grade, as indicated below.
"Standard": Computers; office equipment; communications equipment; test and measurement equipment; audio and visual equipment; home electronic appliances; machine tools; personal electronic equipment; industrial robots; etc.
"High Quality": Transportation equipment (automobiles, trains, ships, etc.); traffic control (traffic lights); large-scale communication equipment; key financial terminal systems; safety control equipment; etc.
Unless expressly designated as a high reliability product or a product for harsh environments in a Renesas Electronics data sheet or other Renesas Electronics document, Renesas Electronics products are not intended or authorized for use in products or systems that may pose a direct threat to human life or bodily injury (artificial life support devices or systems; surgical implantations; etc.), or may cause serious property damage (space system; undersea repeaters; nuclear power control systems; aircraft control systems; key plant systems; military equipment; etc.). Renesas Electronics disclaims any and all liability for any damages or losses incurred by you or any third parties arising from the use of any Renesas Electronics product that is inconsistent with any Renesas Electronics data sheet, user's manual or other Renesas Electronics document.
6. When using Renesas Electronics products, refer to the latest product information (data sheets, user's manuals, application notes, "General Notes for Handling and Using Semiconductor Devices" in the reliability handbook, etc.), and ensure that usage conditions are within the ranges specified by Renesas Electronics with respect to maximum ratings, operating power supply voltage range, heat dissipation characteristics, installation, etc. Renesas Electronics disclaims any and all liability for any malfunctions, failure or accident arising out of the use of Renesas Electronics products outside of such specified ranges.
7. Although Renesas Electronics endeavors to improve the quality and reliability of Renesas Electronics products, semiconductor products have specific characteristics, such as the occurrence of failure at a certain rate and malfunctions under certain use conditions. Unless designated as a high reliability product or a product for harsh environments in a Renesas Electronics data sheet or other Renesas Electronics document, Renesas Electronics products are not subject to radiation resistance design. You are responsible for implementing safety measures to guard against the possibility of bodily injury, injury or damage caused by fire, and/or danger to the public in the event of a failure or malfunction of Renesas Electronics products, such as safety design for hardware and software, including but not limited to redundancy, fire control and malfunction prevention, appropriate treatment for aging degradation or any other appropriate measures. Because the evaluation of microcomputer software alone is very difficult and impractical, you are responsible for evaluating the safety of the final products or systems manufactured by you.
8. Please contact a Renesas Electronics sales office for details as to environmental matters such as the environmental compatibility of each Renesas Electronics product. You are responsible for carefully and sufficiently investigating applicable laws and regulations that regulate the inclusion or use of controlled substances, including without limitation, the EU RoHS Directive, and using Renesas Electronics products in compliance with all these applicable laws and regulations. Renesas Electronics disclaims any and all liability for damages or losses occurring as a result of your noncompliance with applicable laws and regulations.
9. Renesas Electronics products and technologies shall not be used for or incorporated into any products or systems whose manufacture, use, or sale is prohibited under any applicable domestic or foreign laws or regulations. You shall comply with any applicable export control laws and regulations promulgated and administered by the governments of any countries asserting jurisdiction over the parties or transactions.
10. It is the responsibility of the buyer or distributor of Renesas Electronics products, or any other party who distributes, disposes of, or otherwise sells or transfers the product to a third party, to notify such third party in advance of the contents and conditions set forth in this document.
11. This document shall not be reprinted, reproduced or duplicated in any form, in whole or in part, without prior written consent of Renesas Electronics.
12. Please contact a Renesas Electronics sales office if you have any questions regarding the information contained in this document or Renesas Electronics products.
(Note 1) "Renesas Electronics" as used in this document means Renesas Electronics Corporation and also includes its directly or indirectly controlled subsidiaries.
(Note 2) "Renesas Electronics product(s)" means any product developed or manufactured by or for Renesas Electronics.

(Rev.4.0-1 November 2017)



SALES OFFICES

Renesas Electronics Corporation

<http://www.renesas.com>

Refer to "<http://www.renesas.com/>" for the latest and detailed information.

Renesas Electronics America Inc.
1001 Murphy Ranch Road, Milpitas, CA 95035, U.S.A.
Tel: +1-408-432-8888, Fax: +1-408-434-5351

Renesas Electronics Canada Limited
9251 Yonge Street, Suite 8309 Richmond Hill, Ontario Canada L4C 9T3
Tel: +1-905-237-2004

Renesas Electronics Europe Limited
Dukes Meadow, Millboard Road, Bourne End, Buckinghamshire, SL8 5FH, U.K
Tel: +44-1628-651-700, Fax: +44-1628-651-804

Renesas Electronics Europe GmbH
Arcadiastrasse 10, 40472 Düsseldorf, Germany
Tel: +49-211-6503-0, Fax: +49-211-6503-1327

Renesas Electronics (China) Co., Ltd.
Room 1709 Quantum Plaza, No.27 ZhichunLu, Haidian District, Beijing, 100191 P. R. China
Tel: +86-10-8235-1155, Fax: +86-10-8235-7679

Renesas Electronics (Shanghai) Co., Ltd.
Unit 301, Tower A, Central Towers, 555 Langao Road, Putuo District, Shanghai, 200333 P. R. China
Tel: +86-21-2226-0888, Fax: +86-21-2226-0999

Renesas Electronics Hong Kong Limited
Unit 1601-1611, 16/F., Tower 2, Grand Century Place, 193 Prince Edward Road West, Mongkok, Kowloon, Hong Kong
Tel: +852-2265-6688, Fax: +852-2886-9022

Renesas Electronics Taiwan Co., Ltd.
13F, No. 363, Fu Shing North Road, Taipei 10543, Taiwan
Tel: +886-2-8175-9600, Fax: +886-2-8175-9670

Renesas Electronics Singapore Pte. Ltd.
80 Bendemeer Road, Unit #06-02 Hyflux Innovation Centre, Singapore 339949
Tel: +65-6213-0200, Fax: +65-6213-0300

Renesas Electronics Malaysia Sdn.Bhd.
Unit 1207, Block B, Menara Amcorp, Amcorp Trade Centre, No. 18, Jln Persiaran Barat, 46050 Petaling Jaya, Selangor Darul Ehsan, Malaysia
Tel: +60-3-7955-9390, Fax: +60-3-7955-9510

Renesas Electronics India Pvt. Ltd.
No.777C, 100 Feet Road, HAL 2nd Stage, Indiranagar, Bangalore 560 038, India
Tel: +91-80-67208700, Fax: +91-80-67208777

Renesas Electronics Korea Co., Ltd.
17F, KAMCO Yangjae Tower, 262, Gangnam-daero, Gangnam-gu, Seoul, 06265 Korea
Tel: +82-2-558-3737, Fax: +82-2-558-5338