

AN-1180 Air Quality Control System Using GreenPAK™

The aim of this application note is to design and develop an occupancy-based air quality control system using the [GreenPAK SLG46140V](#) programmable mixed-signal ASIC. The system uses Sharp's GP2Y1010AU0F optical dust sensor to detect the presence of airborne particles and a PIR motion sensor to detect occupancy of the space where the system is installed. A red LED is used to indicate that the air in the room is contaminated while a green LED is used to indicate that the air in the room is clean. This automation system helps to cut electricity consumption by activating an air cleaning mechanism only when there are airborne particles and the space is occupied. The occupancy-based air quality control system can be used in offices, homes, and other residential and commercial environments.

Passive Infrared (PIR) Motion Sensor

A passive infrared (PIR) sensor is a small, low power, and easy-to-use sensor that is widely used in gadgets and appliances to detect presence of humans or animals. Motion sensors are common in residential, commercial, and industrial settings to detect if a space is occupied or not.

The PIR motion sensor is based on a pyroelectric sensor which detects levels of infrared radiated by a body. The sensor has a Fresnel lens that condenses light to provide the sensor with a larger detection area. The PIR sensor outputs a digital HIGH when a warm body such as a human or an animal passes within its sensing area.

The sensor has three pins: one pin for power (VCC), one for output (OUT), and a ground pin (GND). It can be supplied with a 3-5V DC input. For this project, a 5V input was applied to the VCC pin of the sensor.



Figure 1. PIR motion sensor

GP2Y1010AU0F Optical Dust Sensor

The GP2Y1010AU0F is an optical dust sensing system that is capable of detecting a wide range of airborne particles including fine dust and smoke particles. This sensor is commonly used in many home and industrial appliances including air purifiers, air monitors, and air conditioners. It comes in a compact package that measures 46.0 × 30.0 × 17.6 mm. In addition, the GP2Y1010AU0F is a low current device that draws a maximum of 20mA.

To detect airborne particles, the GP2Y1010AU0F uses an infrared emitting diode and a phototransistor. These two are arranged diagonally in such a way to allow the device to detect reflected light of airborne particles. This compact sensor is capable of detecting fine airborne particles such as those from cigarette smoke. The internal schematic of the GP2Y1010AU0F is as shown in Figure 2.

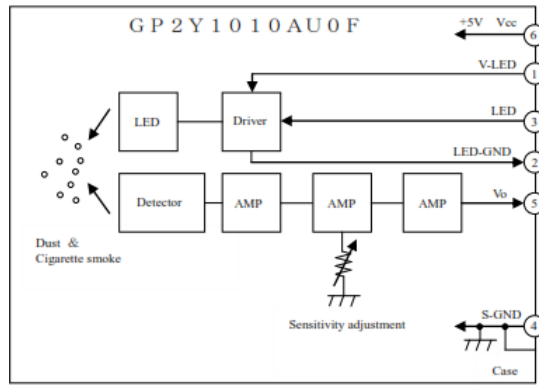


Figure 2. Internal schematic and terminal configuration of the GP2Y1010AU0F

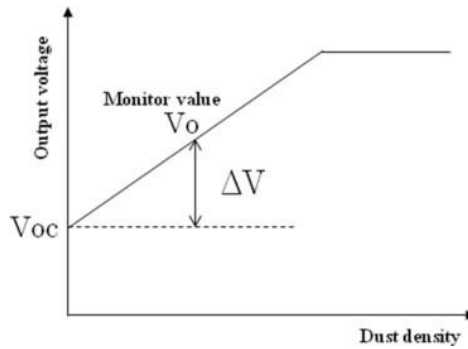


Figure 3. Output voltage versus dust density

The relationship between the output voltage of the GP2Y1010AU0F and the dust density is as shown in Figure 4. This sensor outputs a voltage even when the dust density is 0 mg/m³. This output at no dust conditions (0 mg/m³) is caused by stray light. Therefore, the output of the GP2Y1010AU0F dust sensor (V_o) is a sum of output voltage when there is no dust (V_{oc}) and output voltage proportional to the amount of dust in the room (ΔV). V_{oc} increases with an increase in the amount of dust that is attached within the dust sensor.

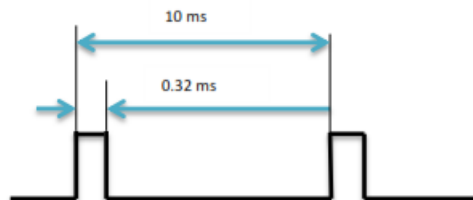


Figure 4a. Output pulse of the GP2Y1010AU0F dust sensor

To obtain accurate results, the input applied to the LED terminal should be as specified by the manufacturer. Failing to provide the specified electro-optical conditions can considerably affect the output. When the specified conditions cannot be met, the recommended conditions can be used. Table 1 shows the specified and recommended conditions while Figure 4a shows the expected output pulse. According to the product datasheet, the specified output value is obtained at 0.28ms. The specified output pulse is as shown in Figure 4b.

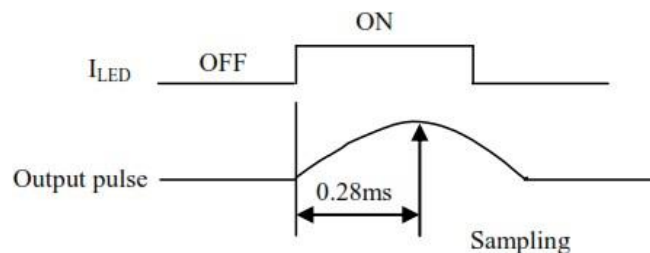


Figure 4b. Specified output pulse

Parameter	Specified condition	Recommended condition
Pulse cycle (T)	10 ms	10±1 ms
Pulse width Pw	0.32 ms	0.32±0.02 ms

Table 1. Specified and recommended output pulse conditions

Description of the GreenPAK design

We used a GreenPAK SLG46140V to implement the occupancy-based air quality control system. Pin 10 was configured as an analog input/output while Pin 3 was configured as a digital input. The analog output from the dust sensor was fed to the SLG46140V through the analog input Pin 10. The digital output from the motion sensor was fed to the GreenPAK IC through digital input Pin 3. Pin 9, Pin 12, Pin 13, and Pin 14 were configured as digital outputs. The digital output from Pin 9 was used to drive the LED of the dust sensor. Pin 12 was connected to a Green LED that turned on when the concentration of dust particles in the room is below the reference value. Pin 13 was connected to a Red LED that turned on when the concentration of dust particles in the room went above the reference value. The output from Pin 14 was used to drive the air purification system (a dc fan was used for this project).

The properties of the input and output pins are as shown in the following figures:

Figure 5. Pin 10 properties

Figure 6. Pin 3 properties

Figure 7. Pin 9 properties

The three internal clock sources of the oscillator block (OSC) were used to provide clock signals to counters and delays. The RC oscillator was used to provide clock signal to the 8-bit CNT1/DLY1 that was configured as a counter. The Ring oscillator was used to provide clock signal to the 8-bit CNT3/DLY3/FSM1 that was configured as a delay. Lastly, the LF oscillator was used to provide clock signal to the 14-bit CNT0/DLY0 and CNT2/DLY2/FSM0 that were configured as delays. The settings of the three internal clock sources are as shown in the following figures:

OSC	
LF OSC	RC OSC RING OSC
LF OSC power mode:	Force power on
LF OSC frequency:	1.743 kHz
LF matrix power down:	Enable
LF clock predivider by:	16
Clock selector:	LF OSC

Figure 8. Low frequency (LF) OSC properties

OSC	
LF OSC	RC OSC RING OSC
RC OSC power mode:	Force power on
RC OSC frequency:	25 kHz
Current source always turn on:	Disable
RC matrix power down:	Disable
RC clock predivider by:	4
'OUT0' second divider by:	1
Clock selector:	RC OSC

Figure 9. RC OSC properties

OSC	
LF OSC	RC OSC RING OSC
Ring OSC power mode:	Force power on
Ring OSC frequency:	27.25 MHz
Ring matrix power down:	Disable
Ring clock predivider by:	16
PWM & ADC clock source:	RC OSC
'OUT1' second divider by:	1

Figure 10. Ring OSC properties

Three Counters/Delays were configured as delays and one as a counter. The 14-bit counters CNT0/DLY0 and CNT2/DLY2/FSM0 were both configured as 60 second falling edge delays. The 8-bit CNT3/DLY3 was set to delay mode to provide a delay time of 100µs. The 8-bit CNT1/DLY1 was set to counter mode with an output period of 9.6ms. This counter was used to provide the pulse specified by the dust sensor’s manufacturer. The properties of the four counters/delays are as shown in the following figures:

W5 Ctrl/14-bit CNT0/DLY0	
Type: CNT/DLY	
Mode: Delay	
Counter data: 6536 (Range: 1 - 16383)	
Delay time (typical): 60.0069 s Formula	
Edge select: Falling	
Counter value control: Reset (counter valu	
DFF bypass enable: None	
Connections	
FSM data: None	
Clock: LF OSC CLK	
Clock source: LF OSC Freq. /16	
Clock frequency: 108.938 Hz	

Figure 11. CNT0/DLY0 properties

8-bit CNT1/DLY1	
Mode: Counter	
Counter data: 14 (Range: 1 - 255)	
Output period (typical): 9.6 ms Formula	
Edge select: Falling	
Counter value control: Reset (counter valu	
DFF bypass enable: None	
Connections	
FSM data: None	
Clock: CLK /4	
Clock source: RC OSC Freq. /4 /4	
Clock frequency: 1.5625 kHz	

Figure 12. CNT1/DLY1 properties

4-bit LUT1/14-bit CNT2/DLY2/FSM0	
Type: CNT/DLY	
Mode: Delay	
Counter data: 6536 (Range: 1 - 16383)	
Delay time (typical): 60.0069 s Formula	
Edge select: Falling	
Counter value control: Reset (counter valu	
FSM data sync with SPI clock: Disable	
Connections	
FSM data: Counter data	
Clock: LF OSC CLK	
Clock source: LF OSC Freq. /16	
Clock frequency: 108.938 Hz	

Figure 13. CNT2/DLY2/FSM0 properties

3-bit LUT7/8-bit CNT3/DLY3/FSM1	
Type: CNT/DLY	
Mode: Delay	
Counter data: 170 (Range: 1 - 255)	
Delay time (typical): 100.404 us Formula	
Edge select: Rising	
Counter value control: Reset (counter valu	
FSM data sync with SPI clock: Disable	
Connections	
FSM data: Counter data	
Clock: Ring OSC CLK	
Clock source: Ring OSC Freq. /16	
Clock frequency: 1.70313 MHz	

Figure 14. CNT3/DLY3/FSM1 properties

The analog output of the dust sensor was fed to the SLG46140V programmable mixed-signal ASIC through digital input Pin 10. This pin was connected to a comparator (A CMPO). The comparator halved the input signal by applying a gain of 0.5 before comparing it with a reference voltage. A reference voltage of 800 mV was used. From the dust sensor’s product datasheet, 1600 mV corresponds to approximately 0.15 mg/m³. The properties of the comparator are as shown in Figure 15.

A CMPO	
Hysteresis:	Disable
Low bandwidth:	Disable
Input 100uA current source:	Disable
IN+ gain:	x0.5
Connections	
IN+ source:	PIN 10
IN- source:	800 mV
Information	
Typical ACMP thresholds	
V_IH (mV)	V_IL (mV)
1600	1600

Figure 15. A CMPO properties

Other components that were used include four LUTs and VDD (PIN 1). The GreenPAK design of the occupancy-based air quality control system is as shown in Figure 16.

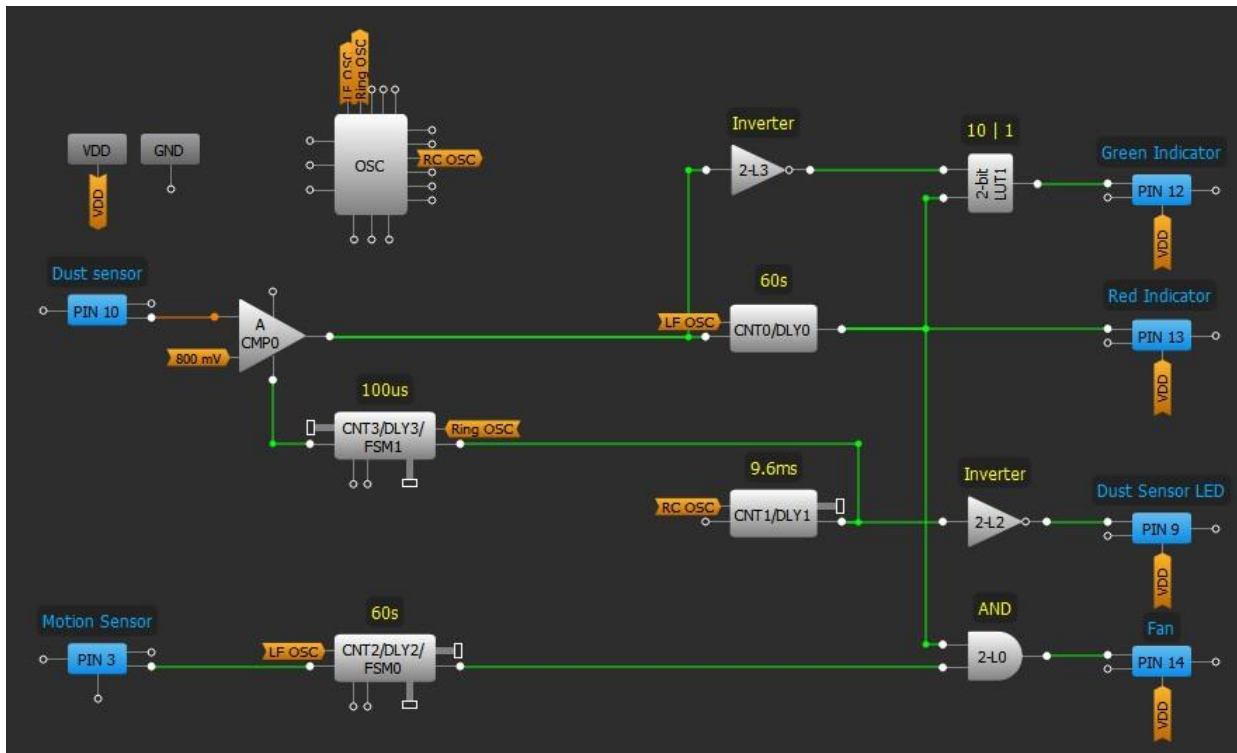


Figure 16. GreenPAK design of the occupancy-based air quality control system

The occupancy-based air quality control system controls the air cleaning mechanism and provides the air quality state of the space where it is installed. The Green LED indicates that the number of airborne particles in the room is below the set value while the Red LED indicates that the number of airborne particles is above the set value. The system activates the air purifier only when the space is occupied and the number of airborne particles is above the reference value. By activating the air purifier only when the two conditions are met, the system helps to save energy and cut electricity bill.

The dust sensor is used to detect the number of airborne particles in the air while the motion sensor is used to detect the occupancy state of the room. The analog comparator (A CMPO) compares the input with the reference value and outputs a HIGH when the value is exceeded. Otherwise, it outputs a LOW. When the comparator outputs a HIGH, it provides a HIGH to Pin 13. This turns on the Red LED. If the comparator outputs a LOW, the inverter (2-L3) provides a HIGH to Pin 12 and this turns on the Green LED. The 100µs rising edge delay provided by CNT3/DLY3/FSM1 and the 9.6ms falling edge delay provided by CNT1/DLY1 limit the amount of time that the analog comparator (A CMPO) is powered. The two delays help to reduce the amount of power consumed

by the comparator. The 60s falling edge delay provided by the CNT0/DLY0 provides a HIGH to the IN1 of the AND gate and Pin 13 (Red LED) for 60 seconds. The 2-bit LUT1 ensures that the two LEDs are not on at the same time.

The 9.6ms falling edge counter CNT1/DLY1 and the inverter (2-L2) provide Pin19 with a LOW for 0.32ms and a HIGH for 9.6ms. This pulse is used to drive the dust sensor and ensures that Pin 10 is HIGH for 0.32ms and LOW for 9.6ms as specified in the manufacturer’s datasheet. The motion sensor outputs a HIGH when it detects movement within its detection range. The 60s falling edge delay provides the AND gate with a HIGH for 60 seconds after a falling edge is detected. The AND gate provides a HIGH to Pin 14 when its two inputs are HIGH. This is an indicator that the space is occupied and the number of airborne contaminants is above the reference value.

The design was tested under different conditions to verify that it was working as expected. With low concentration of airborne particles and no motion, Pin 12 (Green LED) was HIGH. With low concentration of airborne particles and motion within the sensor’s detection range, Pin 12 was HIGH. When a source of smoke was placed near the sensor and no motion within the sensors detection range, Pin 13 (Red LED) was HIGH. With a source of smoke near the dust sensor and motion within the sensors detection range, the Pin 13 (Red LED) was HIGH as well as Pin 14 (Fan).

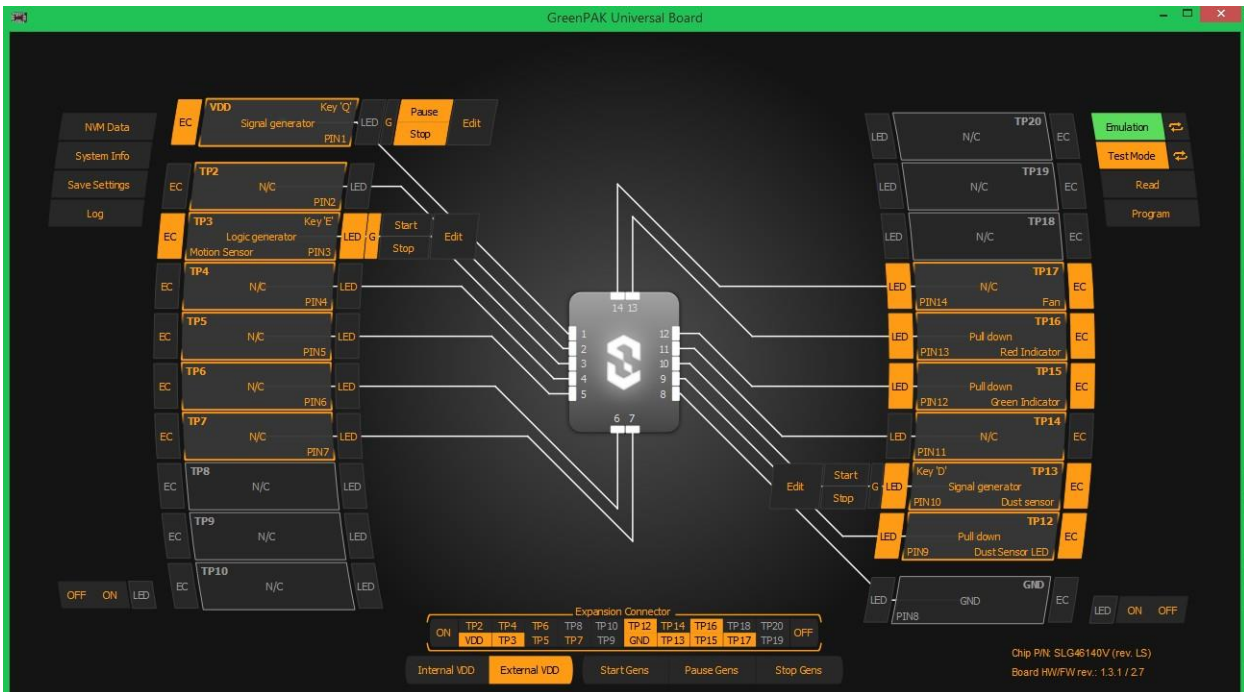


Figure 17. GreenPAK Designer emulation

Description of the Schematic diagram

The schematic diagram of the system is as shown in Figure 17. The SLG46140V, the dust sensor, and the motion sensor were supplied with a 5V DC input. The air cleaning mechanism (a 12V DC fan) was supplied with a 12V DC input. The GP2Y1010AU0F was connected as shown in the schematic diagram. The values of the resistor R1 and capacitor C1 are specified in the dust sensor’s datasheet. The pins of the dust sensor were connected as specified in Figure 2. Its output was connected to Pin 10 of the SLG46140V while the output of the motion sensor was connected to Pin 3.

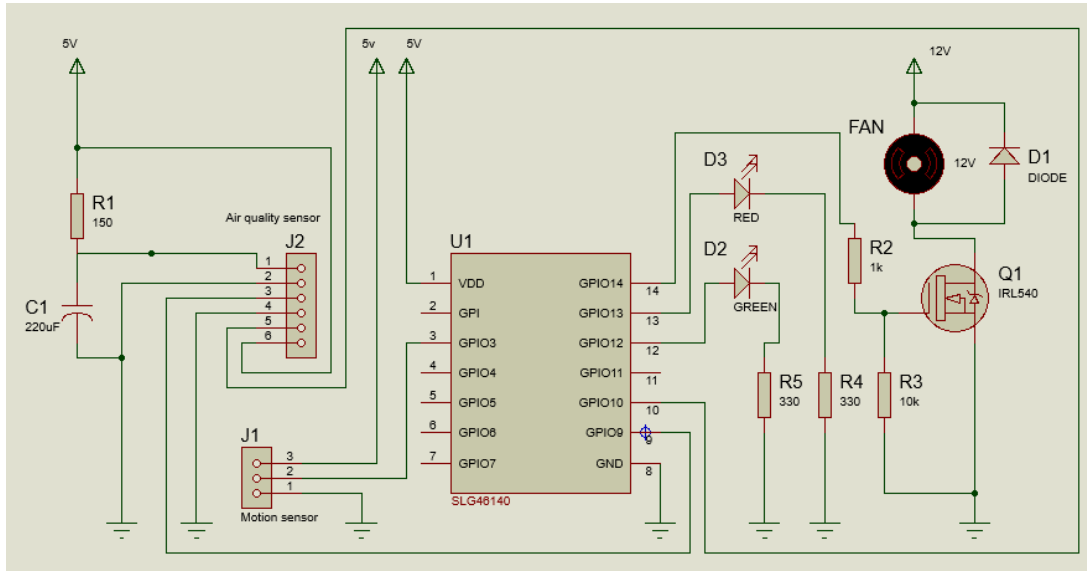


Figure 17. Schematic diagram

The Green and Red LEDs were connected to Pin 12 and Pin 13 of the SLG46140V respectively. Each LED was connected to ground through a 330 ohm resistor. The 5V output provided by the SLG46140V is not enough for a 12V DC fan. A logic-level MOSFET (IRL540) was used to switch the fan on and off from the 5V provided by the GreenPAK IC. The IRL540 is an N-channel MOSFET that offers fast switching and low thermal resistance. The 1N4001 diode was used to eliminate flyback across the DC fan when current is suddenly interrupted.

Applications of the occupancy-based air control system

Air cleaning systems are widely used in residential, commercial, and industrial environments to remove airborne particles from the air. These air purification systems can consume a lot of electricity if they are allowed to run continuously. The occupancy-based air quality control system monitors presence of humans or animals and air quality and activates the air purifier only when the space is occupied and the concentration of airborne particles is above the set value. The system can be used in residential, commercial, and industrial environments to minimize energy wastage.

Extension of the occupancy-based air quality control system

There are many possible extensions that can be done to improve the functionality and performance of this occupancy-based air quality control system. To start with, a fan was used instead of an air purifier. As compared to a fan, an air purifier captures the airborne particles to ensure that the air is clean. Better results can be achieved if an air purifier is used.

The current design does not provide the exact picture of the air quality of the space where the system is installed. Some commercial air quality sensing systems display the concentration of the airborne particles. This design lacks this essential feature and it can be improved by using multiple comparators and adding an LCD or LED display.

Considering that most commercial air quality monitoring systems are not designed to detect presence of humans or animals in the space where they are installed, improvements on this design can make it an unrivalled option. In addition, the SLG46140V is smaller than microcontrollers. This means that this occupancy-based air quality control system is smaller than a microcontroller-based product with same functionality.

Conclusion

In this application note, the SLG46140V programmable mixed-signal ASIC was used to build a basic occupancy-based air quality control system. The GreenPAK IC was used to control the sensors, the air quality indicators, and the air purification system. Using the development hardware and the GreenPAK Designer, an air quality control system with more features can be realized.

IMPORTANT NOTICE AND DISCLAIMER

RENESAS ELECTRONICS CORPORATION AND ITS SUBSIDIARIES (“RENESAS”) PROVIDES TECHNICAL SPECIFICATIONS AND RELIABILITY DATA (INCLUDING DATASHEETS), DESIGN RESOURCES (INCLUDING REFERENCE DESIGNS), APPLICATION OR OTHER DESIGN ADVICE, WEB TOOLS, SAFETY INFORMATION, AND OTHER RESOURCES “AS IS” AND WITH ALL FAULTS, AND DISCLAIMS ALL WARRANTIES, EXPRESS OR IMPLIED, INCLUDING, WITHOUT LIMITATION, ANY IMPLIED WARRANTIES OF MERCHANTABILITY, FITNESS FOR A PARTICULAR PURPOSE, OR NON-INFRINGEMENT OF THIRD-PARTY INTELLECTUAL PROPERTY RIGHTS.

These resources are intended for developers who are designing with Renesas products. You are solely responsible for (1) selecting the appropriate products for your application, (2) designing, validating, and testing your application, and (3) ensuring your application meets applicable standards, and any other safety, security, or other requirements. These resources are subject to change without notice. Renesas grants you permission to use these resources only to develop an application that uses Renesas products. Other reproduction or use of these resources is strictly prohibited. No license is granted to any other Renesas intellectual property or to any third-party intellectual property. Renesas disclaims responsibility for, and you will fully indemnify Renesas and its representatives against, any claims, damages, costs, losses, or liabilities arising from your use of these resources. Renesas' products are provided only subject to Renesas' Terms and Conditions of Sale or other applicable terms agreed to in writing. No use of any Renesas resources expands or otherwise alters any applicable warranties or warranty disclaimers for these products.

(Disclaimer Rev.1.01 Jan 2024)

Corporate Headquarters

TOYOSU FORESIA, 3-2-24 Toyosu,
Koto-ku, Tokyo 135-0061, Japan
www.renesas.com

Trademarks

Renesas and the Renesas logo are trademarks of Renesas Electronics Corporation. All trademarks and registered trademarks are the property of their respective owners.

Contact Information

For further information on a product, technology, the most up-to-date version of a document, or your nearest sales office, please visit www.renesas.com/contact-us/.