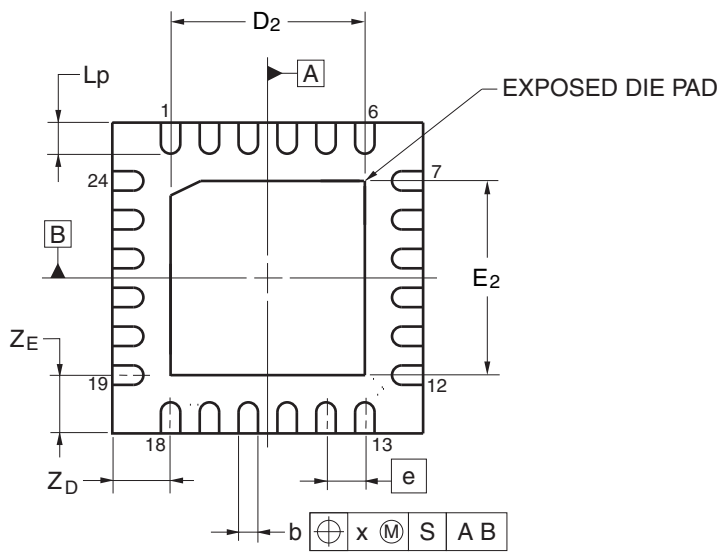
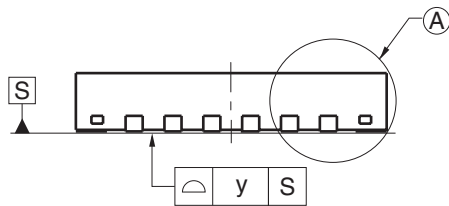
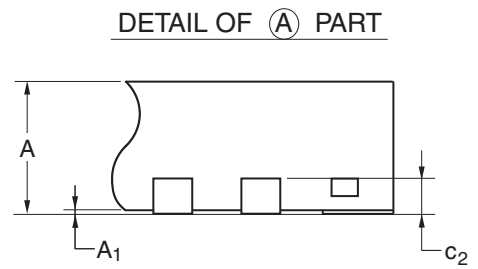
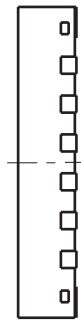
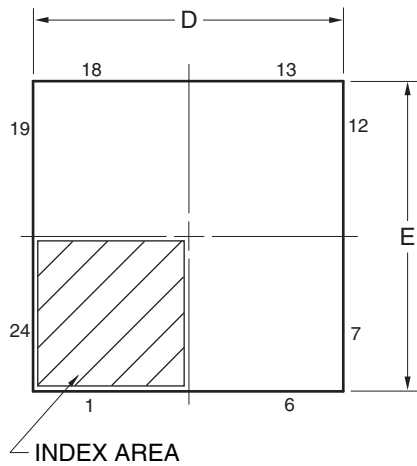
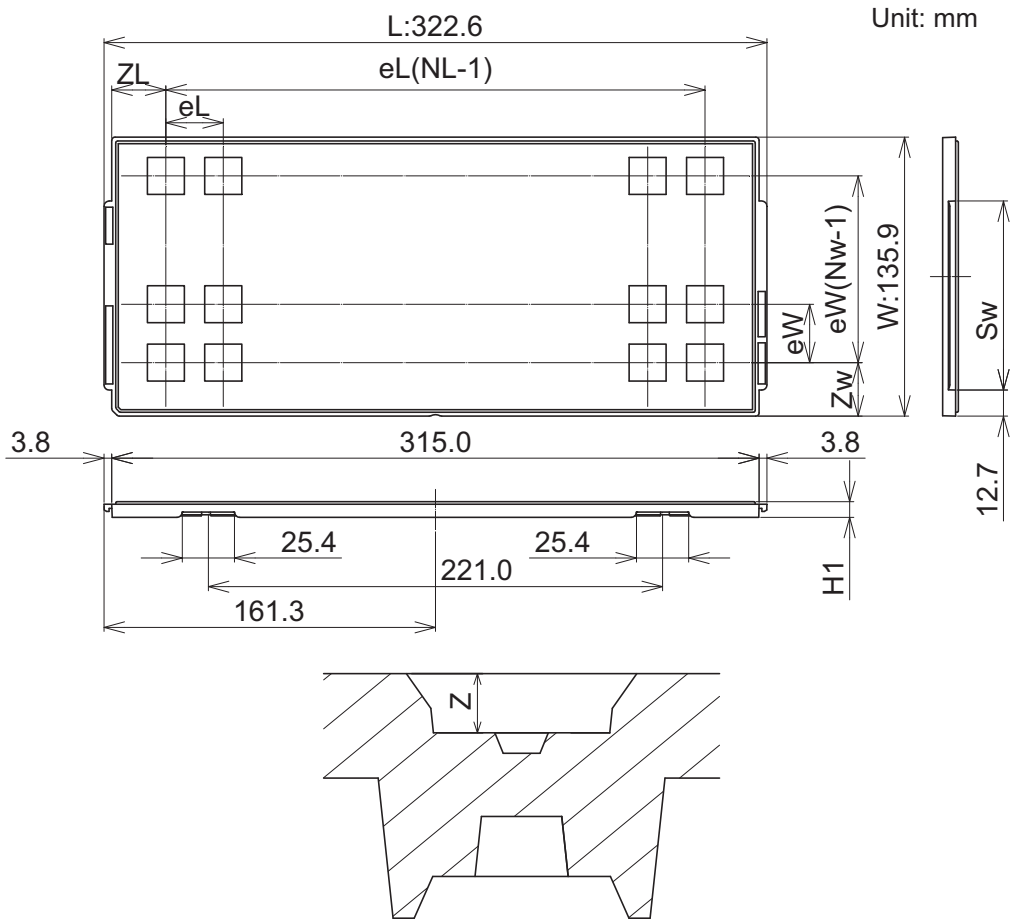


JEITA Package code	RENESAS code	Previous code	MASS(TYP.)[g]
P-HWQFN24-4x4-0.50	PWQN0024KE-A	P24K8-50-CAB-3	0.04

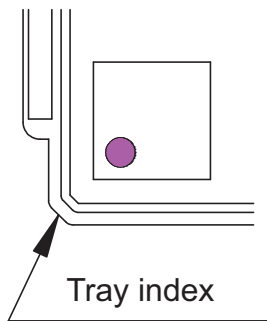


Reference Symbol	Dimension in Millimeters		
	Min	Nom	Max
D	3.95	4.00	4.05
E	3.95	4.00	4.05
A	—	—	0.80
A ₁	0.00	—	—
b	0.18	0.25	0.30
ⓐ	—	0.50	—
L _p	0.30	0.40	0.50
x	—	—	0.05
y	—	—	0.05
Z _D	—	0.75	—
Z _E	—	0.75	—
c ₂	0.15	0.20	0.25
D ₂	—	2.50	—
E ₂	—	2.50	—

Packing Specification
Tray Outline Drawing
QJ-041 Rev.A



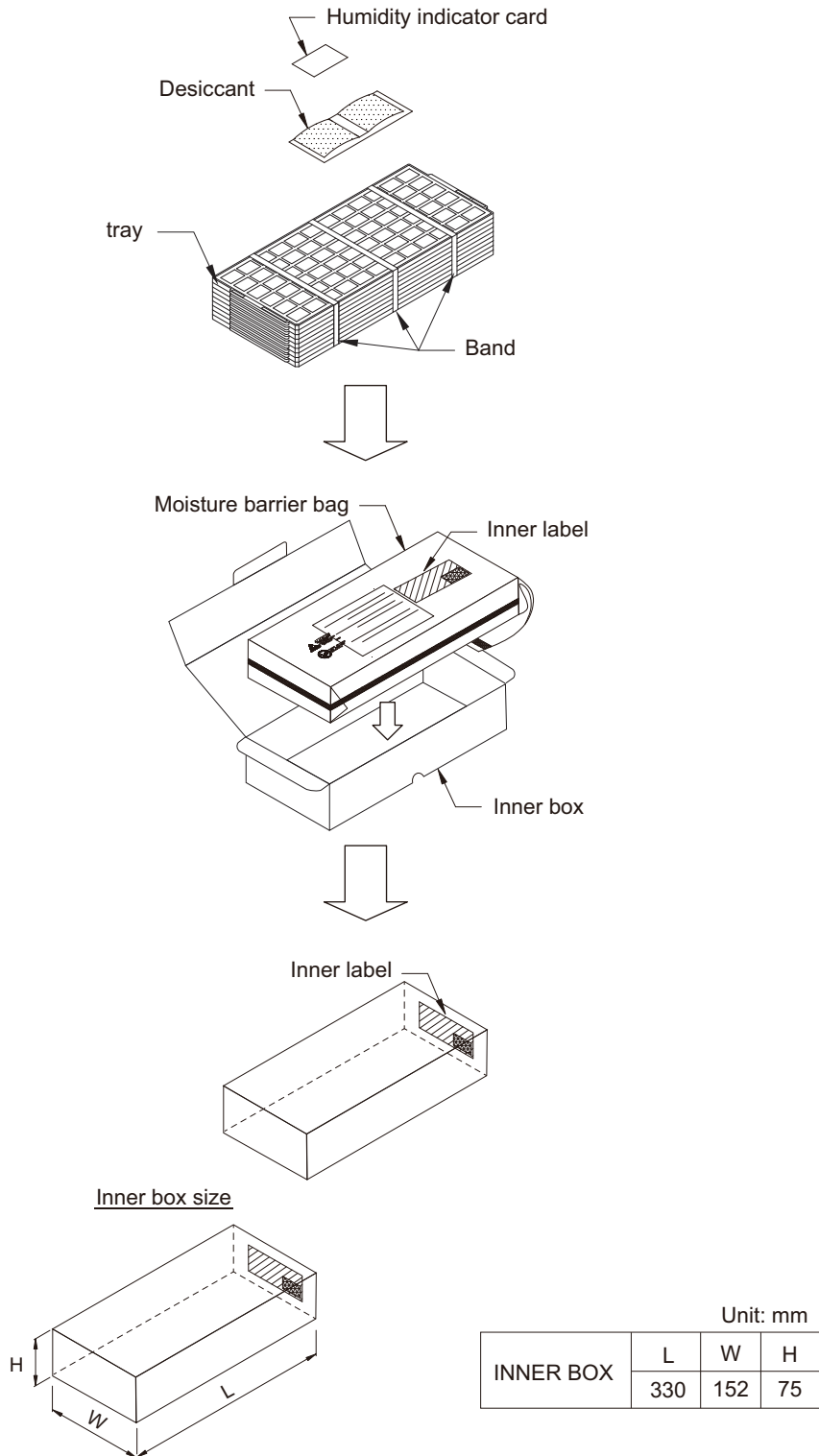
The pin1 is located in the hatching portion.



Tray Code		QJ-041 Rev.A
Position dimension of cells	Z	1.425
	Zw	8.15
	ZL	7.9
	eW	9.2
	eL	8.8
	Sw	92.1
Thickness (mm)	H1	7.62
Number of cells	Nw	14
	NL	35
Maximum storage pcs. IC/Tray		490
Maximum storage pcs. IC/Inner box		3920
Material		Carbon PPE
Heat resistant temperature		135°C MAX
JEDEC or Custom		JEDEC
Surface resistance		Less than $1 \times 10^{11} \Omega/\square$

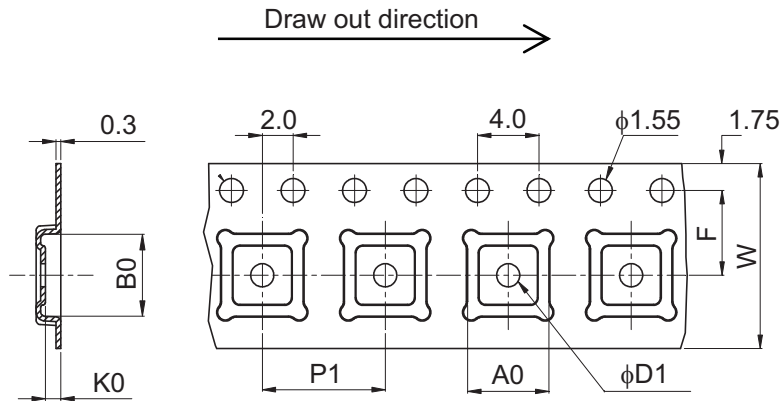
RDK-H-000916

Packing Specification
Tray Packing
(Tray dry pack)



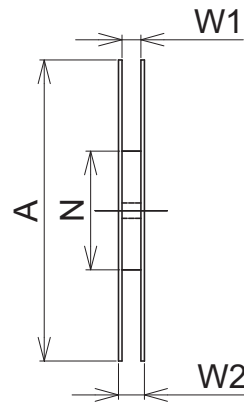
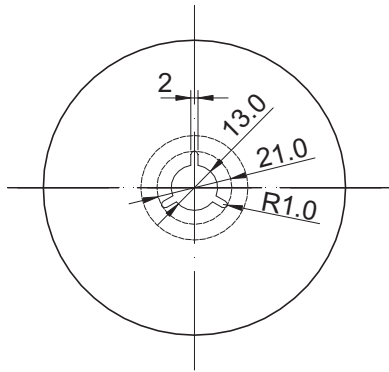
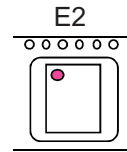
H-000531

Packing Specification
Tape & Reel Outline Drawing
E12 * 08-C2CA



Unit: mm

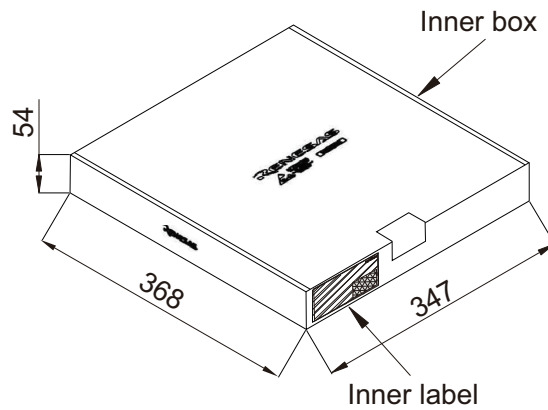
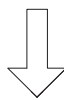
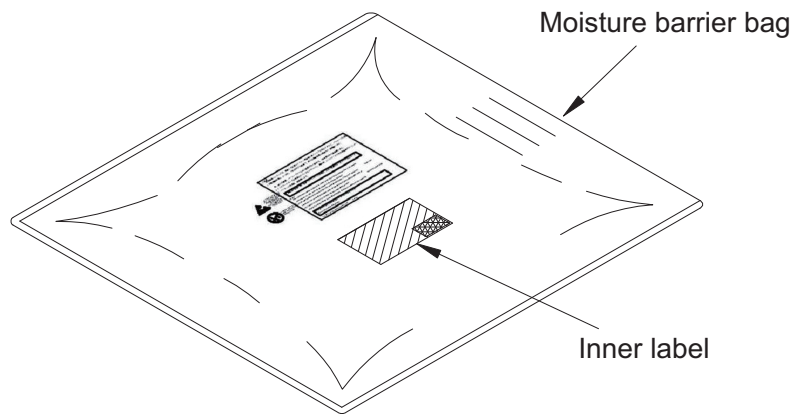
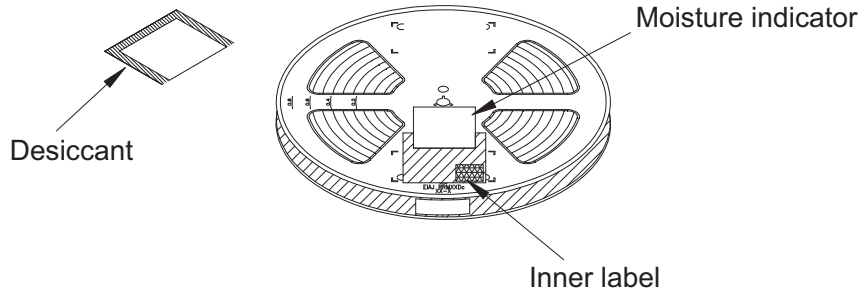
Orientation of packages stored in Embossed Tape is E2 type.
 * The pin1 is located in the hatching portion.



Tape Code		E12 * 08-C2CA
Tape Dimensions (mm)	W	12.0
	P1	8.0
	A0	4.3
	B0	4.3
	K0	1.0
	F	5.5
	D1	1.5
Reel Dimensions (mm)	A	330
	N	100
	W1	13.5
	W2	17.5
Maximum storage Pcs. IC/ Reel		2500
Material		Carbon PS
Surface resistance		Less than $1 \times 10^{11} \Omega/\square$

RDK-H-000938

**Packing Specification
Tape & Reel Packing
(Tape dry pack)**



RDK-H-000152

© 2017 Renesas Electronics Corporation. All rights reserved.