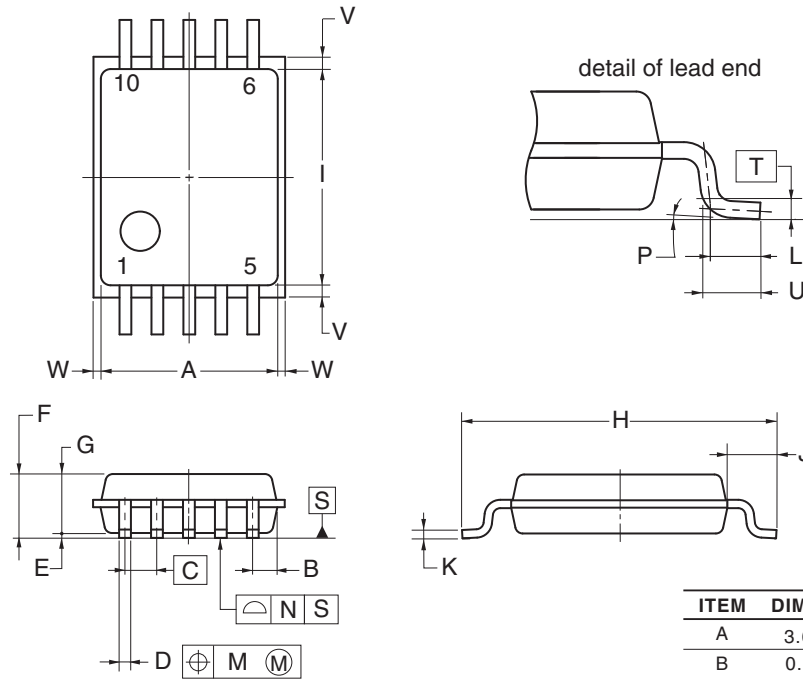


JEITA Package Code	RENESAS Code	Previous Code	MASS (TYP.) [g]
P-LSSOP10-4.4x3.6-0.65	PLSP0010JA-A	P10MA-65-CAC-2	0.05



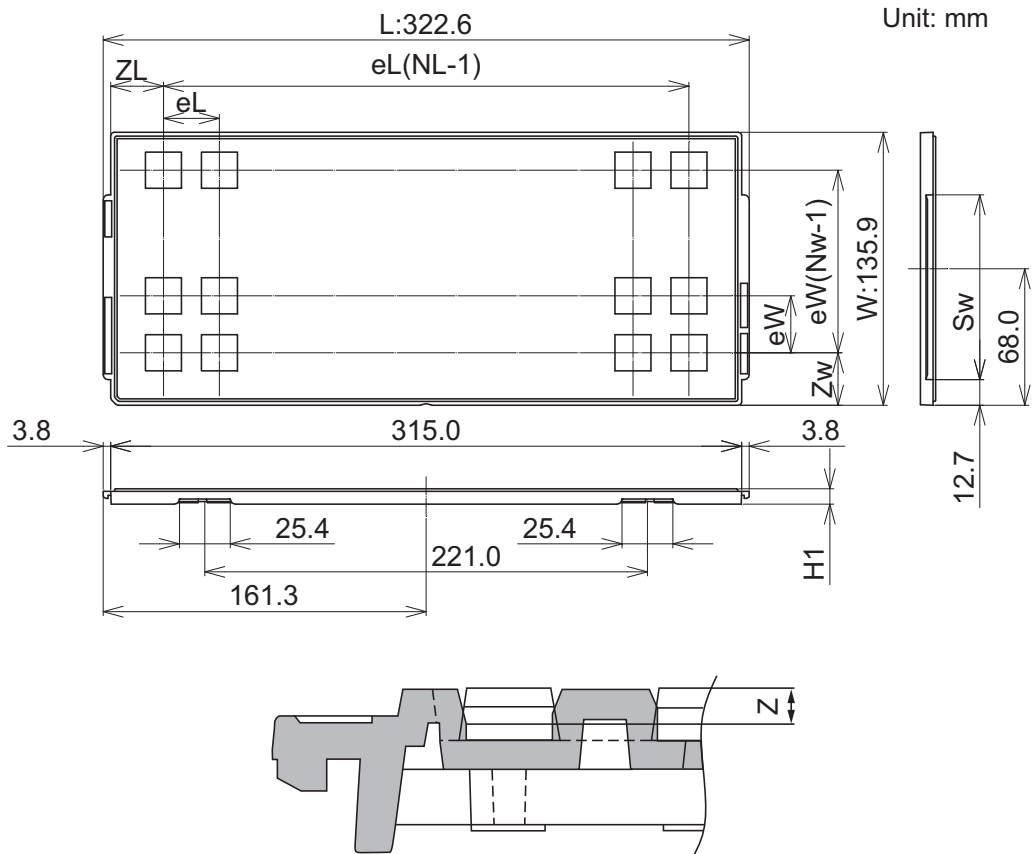
(UNIT:mm)

ITEM	DIMENSIONS
A	3.60±0.10
B	0.50
C	0.65 (T.P.)
D	0.24±0.08
E	0.10±0.05
F	1.45 MAX.
G	1.20±0.10
H	6.40±0.20
I	4.40±0.10
J	1.00±0.20
K	0.17 ^{+0.08} _{-0.07}
L	0.50
M	0.13
N	0.10
P	3° ^{+5°} _{-3°}
T	0.25 (T.P.)
U	0.60±0.15
V	0.25 MAX.
W	0.15 MAX.

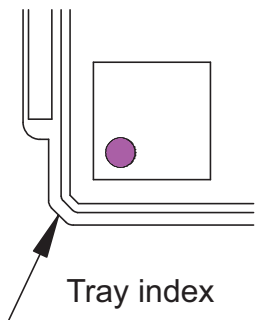
NOTE

Each lead centerline is located within 0.13 mm of its true position (T.P.) at maximum material condition.

Packing Specification
Tray Outline Drawing
SSOP3.6x4.4A



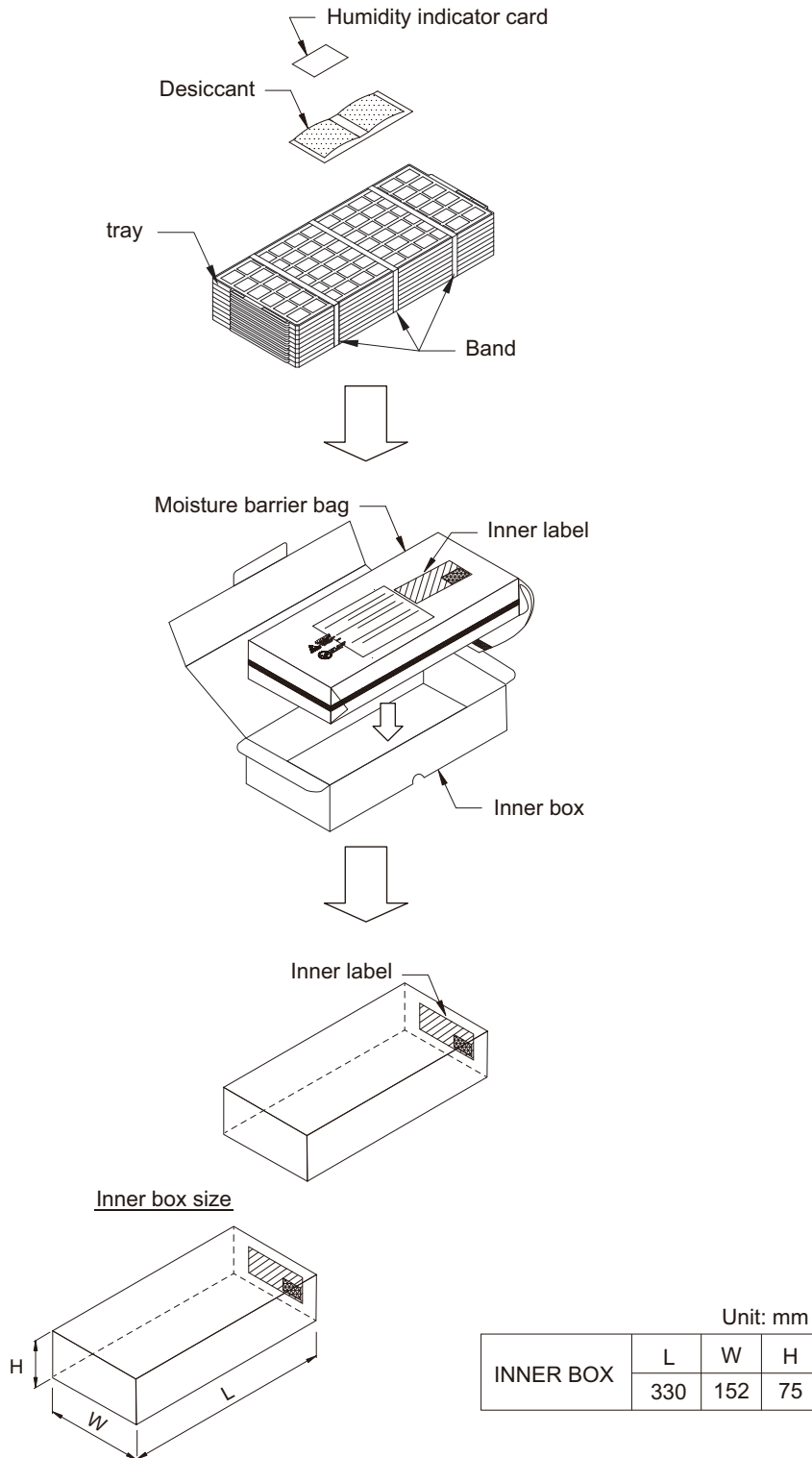
The pin1 is located in the hatching portion.



Tray Code		SSOP3.6x4.4A
Position dimension of cells	Z	1.70
	Zw	7.50
	ZL	7.05
	eW	9.30
	eL	8.85
	Sw	92.1
Thickness (mm)	H1	7.62
Number of cells	Nw	14
	NL	35
Maximum storage pcs. IC/Tray		490
Maximum storage pcs. IC/Inner box		3920
Material		Carbon PPE
Heat resistant temperature		135°C MAX
JEDEC or Custom		JEDEC
Surface resistance		Less than $1 \times 10^{11} \Omega/\square$

RDK-H-000599

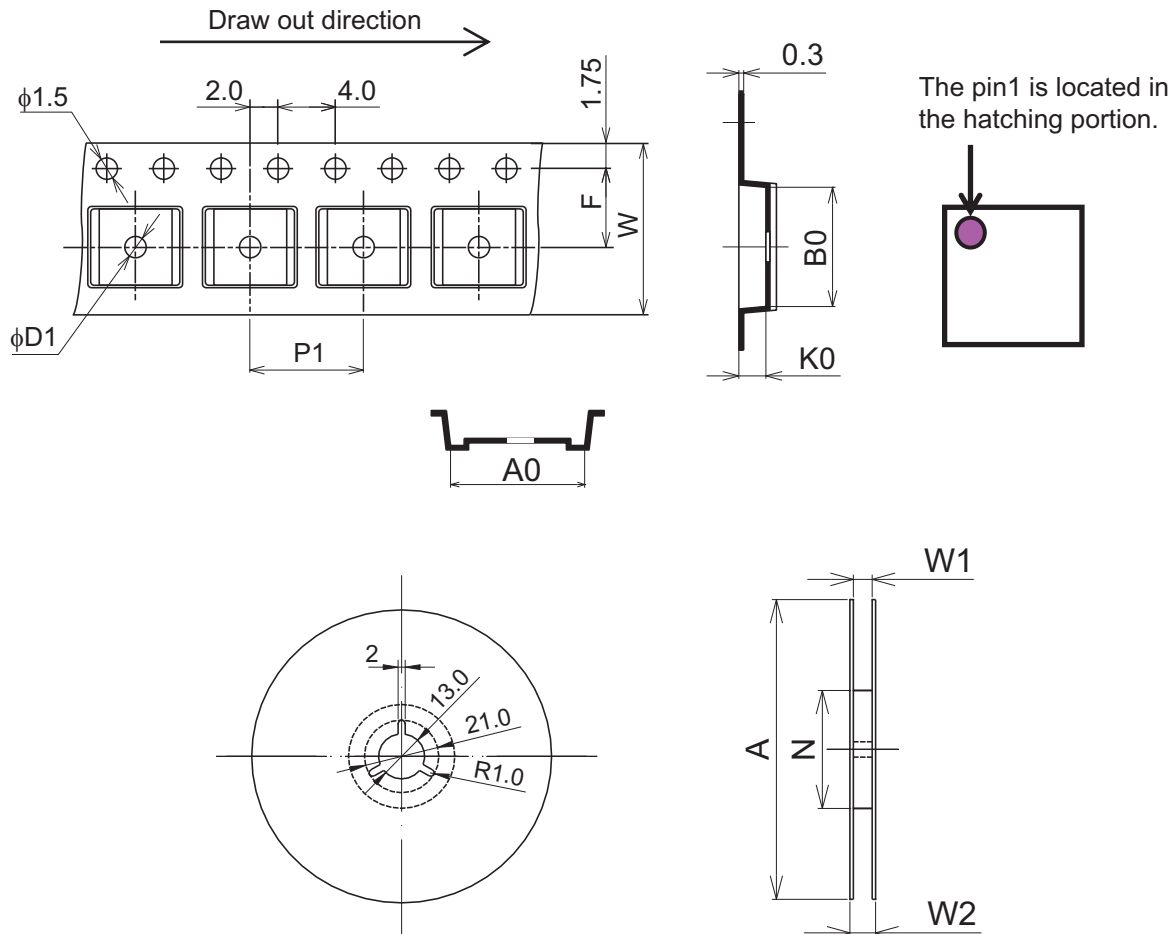
Packing Specification
Tray Packing
(Tray dry pack)



H-000531

Packing Specification
Tape & Reel Outline Drawing
E12 * 08-96CA

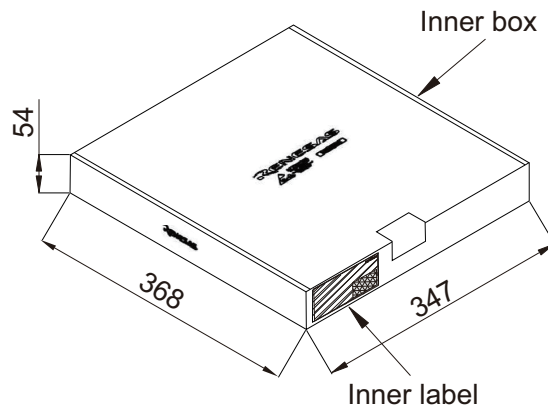
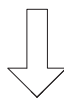
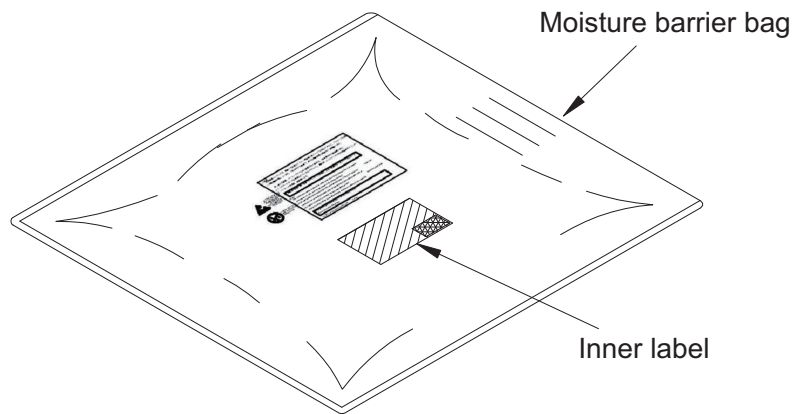
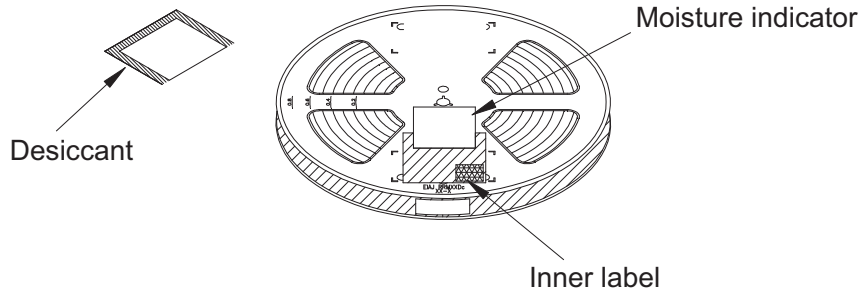
Unit: mm



Tape Code		E12 * 08-96CA
Tape Dimensions (mm)	W	12.0
	P1	8.0
	A0	6.8
	B0	4.2
	K0	1.4
	F	5.5
	D1	1.6
Reel Dimensions (mm)	A	330
	N	100
	W1	13.5
	W2	17.5
Maximum storage No. IC/ Reel		2500
Material		Carbon PS
Surface resistance		Less than $1 \times 10^{11} \Omega/\square$

RDH-H-001661

Packing Specification
Tape & Reel Packing
(Tape dry pack)



RDK-H-000152

© 2017 Renesas Electronics Corporation. All rights reserved.