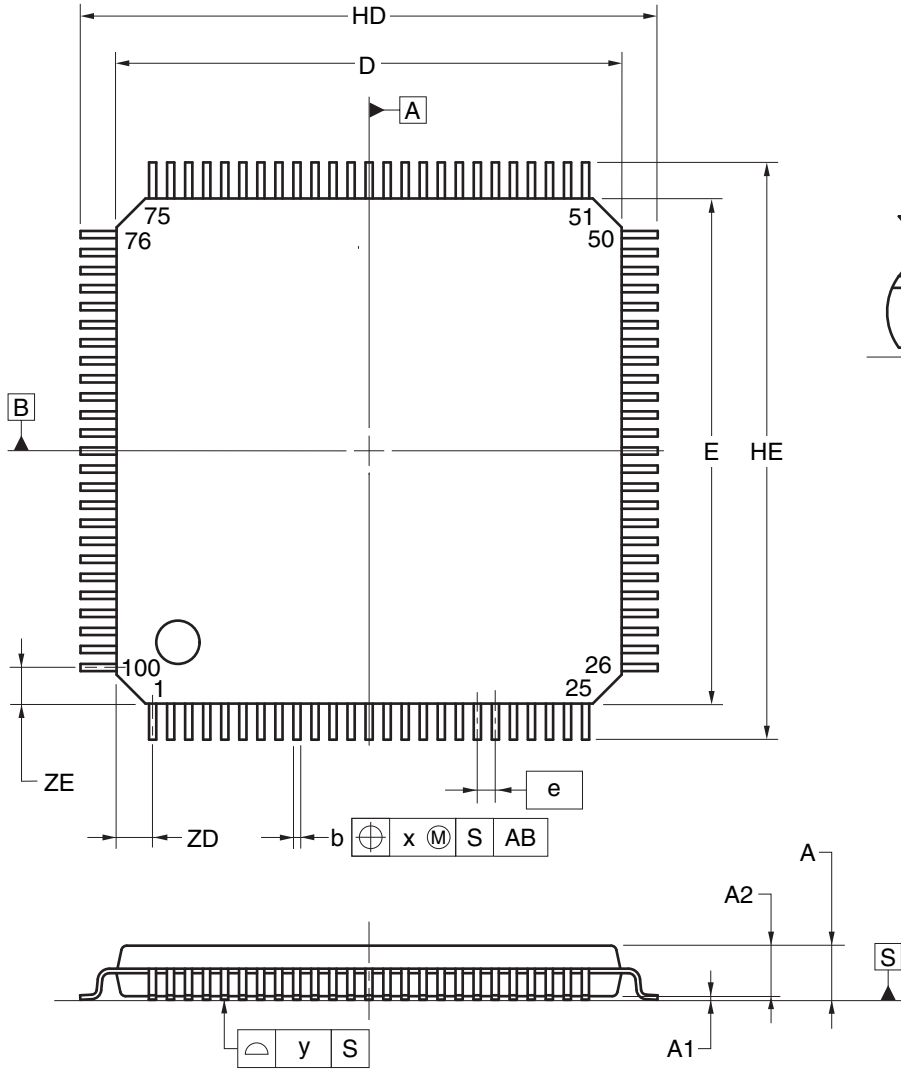
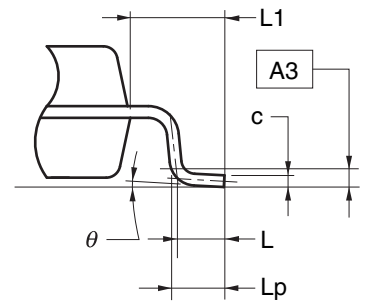


JEITA Package Code	RENESAS Code	Previous Code	MASS (TYP.) [g]
P-LFQFP100-14x14-0.50	PLQP0100KE-A	P100GC-50-GBR-1	0.69



detail of lead end

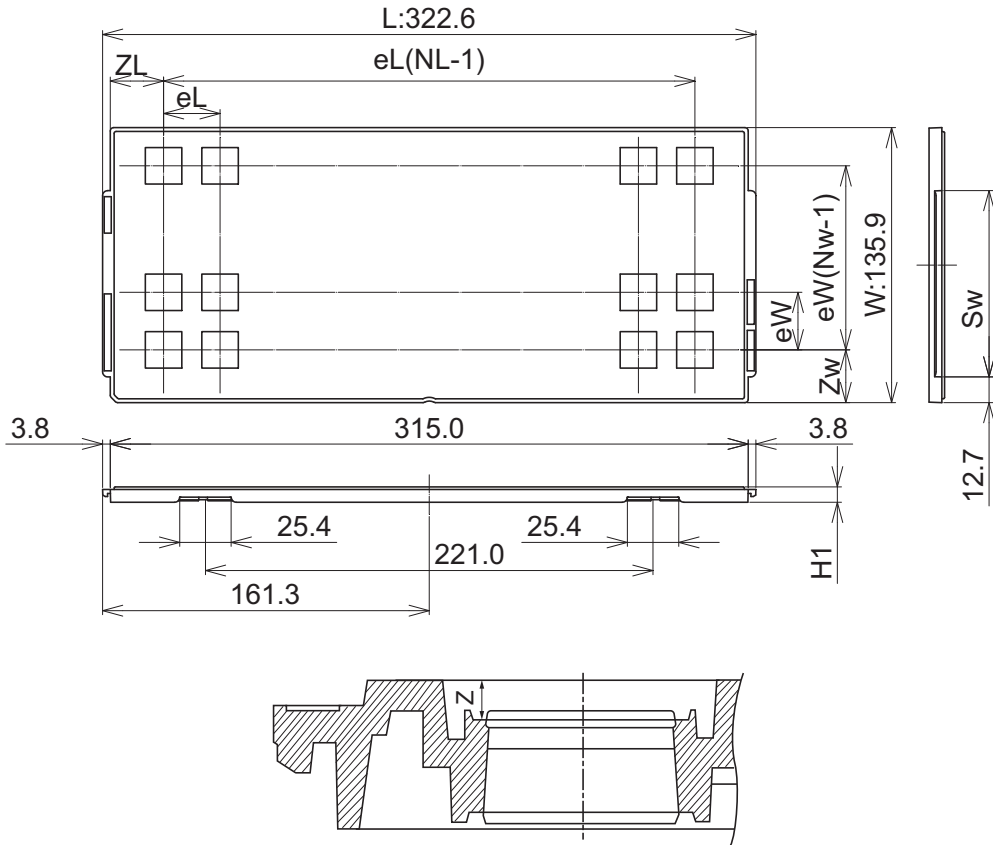


(UNIT:mm)

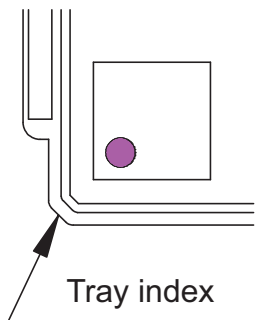
ITEM	DIMENSIONS
D	14.00±0.20
E	14.00±0.20
HD	16.00±0.20
HE	16.00±0.20
A	1.60 MAX.
A1	0.10±0.05
A2	1.40±0.05
A3	0.25
b	0.22±0.05
c	0.145 ^{+0.055} _{-0.045}
L	0.50
Lp	0.60±0.15
L1	1.00±0.20
θ	3° ^{+5°} _{-3°}
e	0.50
x	0.08
y	0.08
ZD	1.00
ZE	1.00

**Packing Specification
Tray Outline Drawing
TQFP14x14x1.4**

Unit: mm



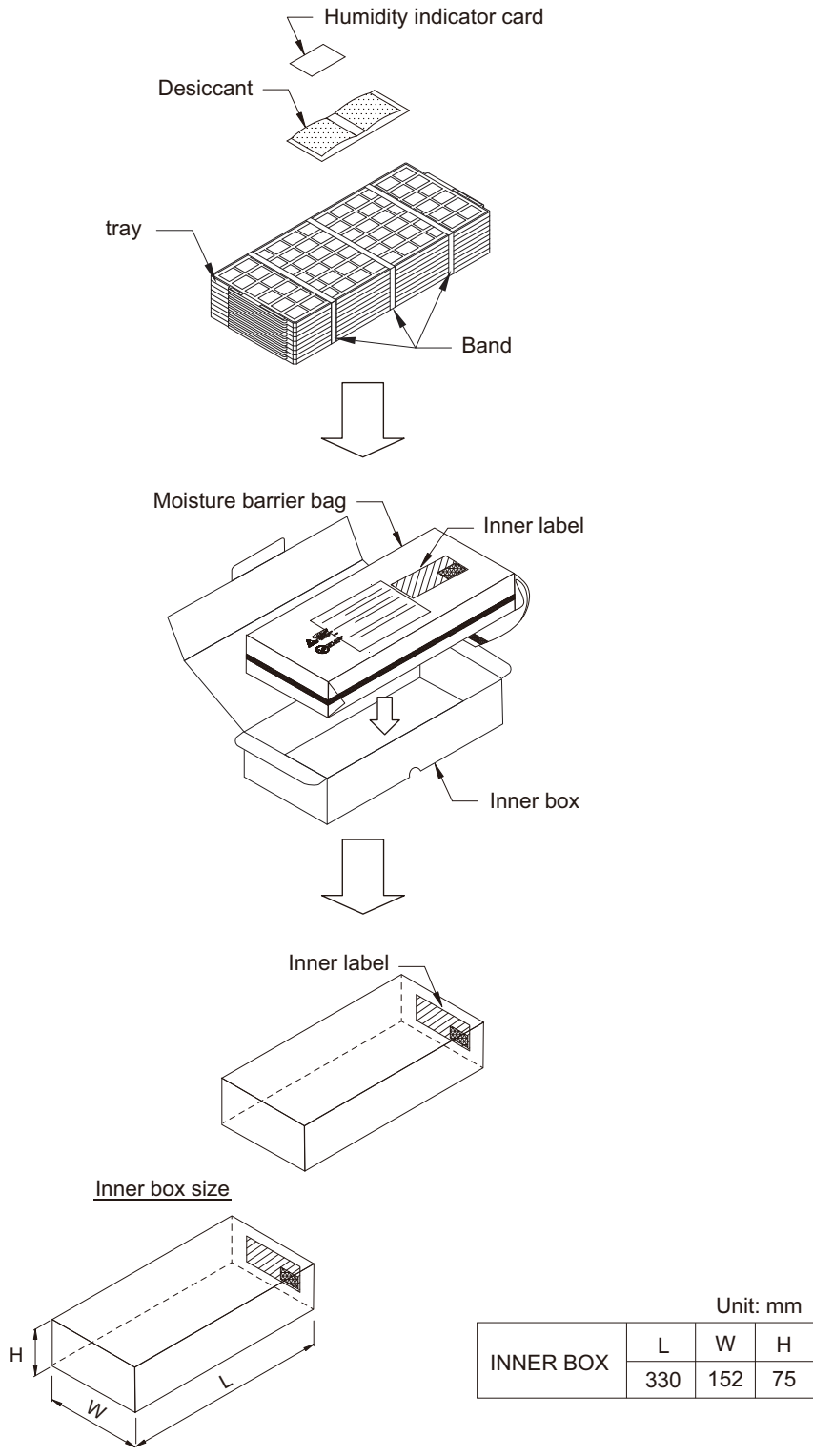
The pin1 is located in the hatching portion.



Tray Code		TQFP14x14x1.4
Position dimension of cells	Z	2.0
	Zw	15.45
	ZL	15.4
	eW	21.0
	eL	20.3
	Sw	92.1
Thickness (mm)	H1	7.62
Number of cells	Nw	6
	NL	15
Maximum storage pcs. IC/Tray		90
Maximum storage pcs. IC/Inner box		720
Material		Carbon PPE
Heat resistant temperature		135°C MAX
JEDEC or Custom		JEDEC
Surface resistance		Less than $1 \times 10^{11} \Omega/\square$

RDK-H-000860

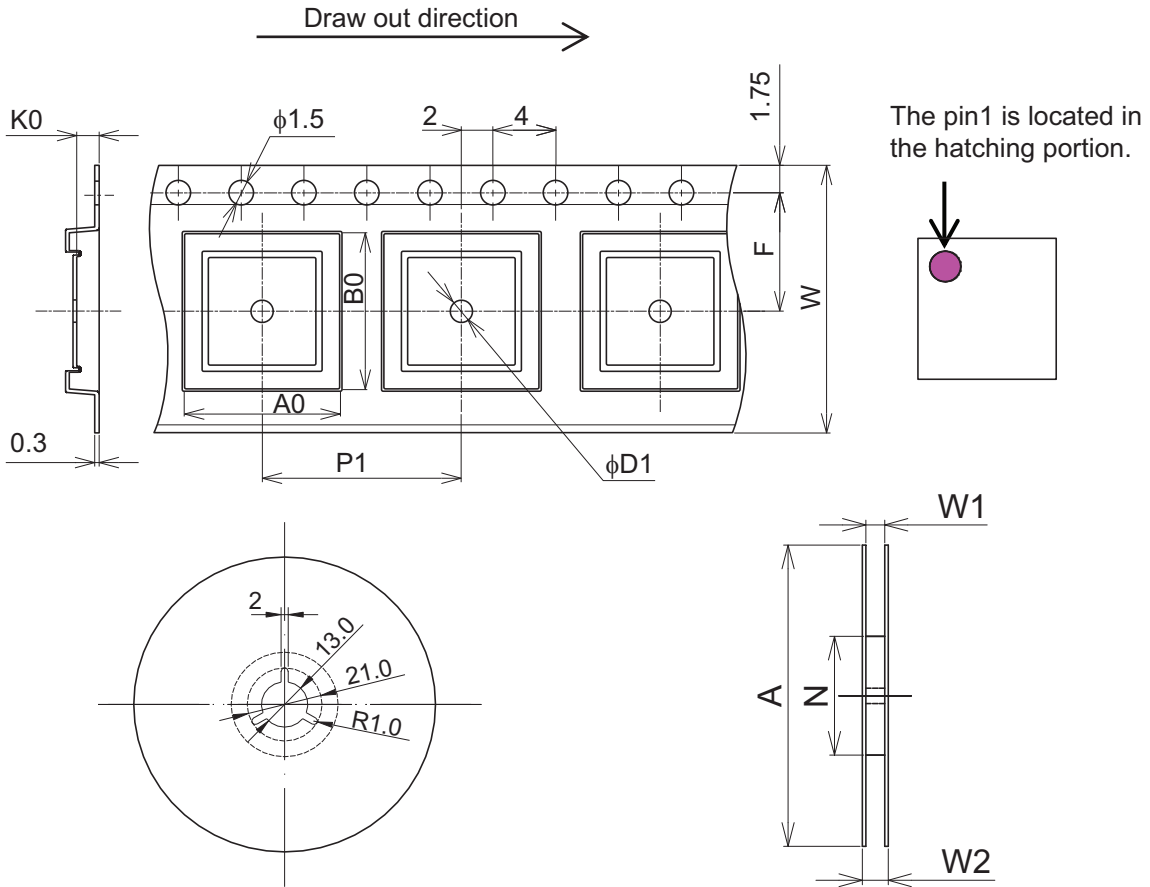
Packing Specification
Tray Packing
(Tray dry pack)



H-000531

Packing Specification
Tape & Reel Outline Drawing
E2424Q14RA

Unit: mm



Tape Code		E2424Q14RA
Tape Dimensions (mm)	W	24.0
	P1	20.0
	A0	16.5
	B0	16.5
	K0	1.4
	F	11.50
	D1	2.0
Reel Dimensions (mm)	A	330
	N	100
	W1	25.4
	W2	29.4
Maximum storage Pcs. IC/ Reel		1000
Material		Carbon PS
Surface resistance		Less than $1 \times 10^{11} \Omega/\square$

H-001575

**Packing Specification
Tape & Reel Packing
(Tape dry pack)**

