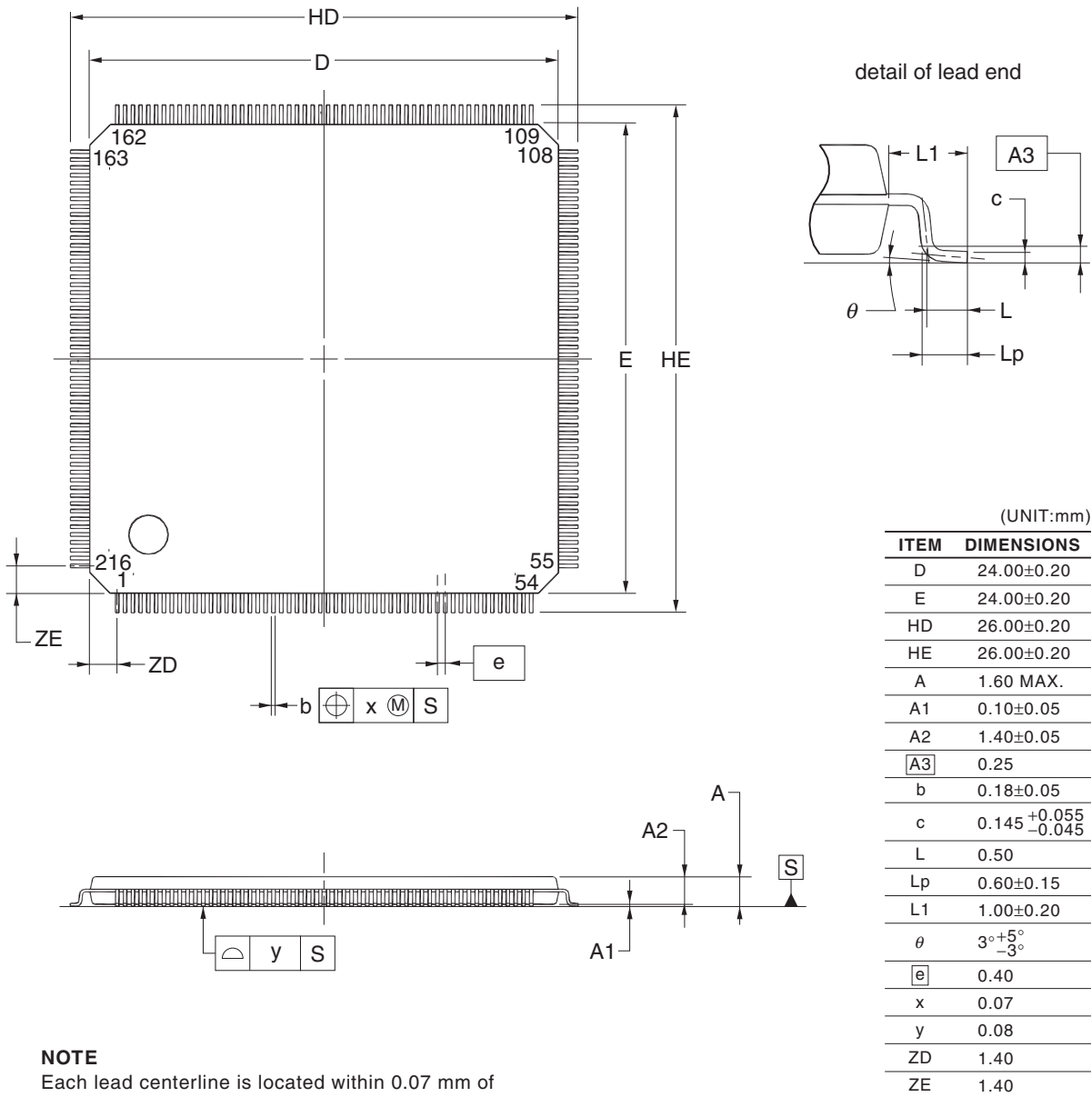


JEITA Package Code	RENESAS Code	Previous Code	MASS (TYP.) [g]
P-LFQFP216-24x24-0.40	PLQP0216LF-A	P216GM-40-GAA-1	1.9



NOTE
Each lead centerline is located within 0.07 mm of its true position at maximum material condition.