

RENESAS TECHNICAL UPDATE

TOYOSU FORESIA, 3-2-24, Toyosu, Koto-ku, Tokyo 135-0061, Japan
Renesas Electronics Corporation

Product Category	MPU/MCU	Document No.	TN-RA*-A0018A/E	Rev.	1.00
Title	RA6M1 Group, Note on the number of ADC channels.		Information Category	Technical Notification	
Applicable Product	RA6M1 Group	Lot No.	Reference Document	RA6M1 Group User's Manual Hardware Rev.1.00	
		All			

The descriptions about the number of ADC channels were changed.

1. Overview

1.1 Page 59

Before

Table 1.9 Analog

Feature	Functional description
12-bit A/D Converter (ADC12)	Up to two successive approximation 12-bit A/D Converters (ADC12) are provided. In unit 0, up to 11 analog input channels are selectable. In unit 1, up to eight analog input channels, the temperature sensor output, and an internal reference voltage are selectable for conversion. The A/D conversion accuracy is selectable from 12-bit, 10-bit, and 8-bit conversion, making it possible to optimize the tradeoff between speed and resolution in generating a digital value. See section 42, 12-Bit A/D Converter (ADC12) .

After

Table 1.9 Analog

Feature	Functional description
12-bit A/D Converter (ADC12)	Two units of successive approximation 12-bit A/D Converter (ADC12) are provided. Analog input channels are selectable up to 11 in unit 0 and up to 8 in unit 1. Each 2 analog inputs of unit 0 and 1 are assigned to same port (AN005/AN105, AN006/AN106), up to 17 ports are available as analog input. The temperature sensor output and an internal reference voltage are selectable for conversion of each unit 0 and 1. The A/D conversion accuracy is selectable from 12-bit, 10-bit, and 8-bit conversion, making it possible to optimize the tradeoff between speed and resolution in generating a digital value. See section 42, 12-Bit A/D Converter (ADC12) .

1.2 Page 62

Before

Table 1.14 Functional comparison

Function		Part numbers			
		R7FA6M1AD2CLJ	R7FA6M1AD3CFP	R7FA6M1AD3CFM	R7FA6M1AD3CNB
Analog	ADC12	19		10	

After

Table 1.14 Functional comparison

Function		Part numbers			
		R7FA6M1AD2CLJ	R7FA6M1AD3CFP	R7FA6M1AD3CFM	R7FA6M1AD3CNB
Analog	ADC12	Unit0: 11 Unit1: 8 Shared channel pin: 2*		Unit0: 7 Unit1: 3 Shared channel pin: 2*	
	3ch-S/H	Unit0: 1(3ch) Unit1: 1(3ch)		Unit0: 1(3ch)	
	PGA	Unit0: 3 Unit1: 3		Unit0: 3	

Note. Some input channels of the ADC units are sharing same port pin.

1.3 Page 66

Before

Table 1.15 Pin functions (4 of 4)

Function	Signal	I/O	Description
ADC12	AN000 to AN003, AN005 to AN007, AN016 to AN018, AN020	Input	Input pins for the analog signals to be processed by the ADC12
	AN100 to AN102, AN105 to AN107, AN116, AN117	Input	

After

Table 1.15 Pin functions (4 of 4)

Function	Signal	I/O	Description
ADC12	AN000 to AN003, AN005 to AN007, AN016 to AN018, AN020	Input	Input pins for the analog signals to be processed by the ADC12 AN005 & AN105 and AN006 & AN106 are assigned to same port pin
	AN100 to AN102, AN105 to AN107, AN116, AN117	Input	

2. 12-Bit A/D Converter (ADC12)

2.1 Page 1285

Before

42. 12-Bit A/D Converter (ADC12)

42.1 Overview

The MCU provides two 12-bit successive approximation A/D converter (ADC12) units. In unit 0, up to 11 analog input channels are selectable. In unit 1, up to eight analog input channels, temperature sensor output, and internal reference voltage are selectable for conversion. The A/D conversion accuracy is selectable from 12-, 10-, and 8-bit conversion, making it possible to optimize the trade-off between speed and resolution in generating a digital value.

ADC12 features include:

- 11 channels (unit 0), 8 channels (unit 1)

After

42. 12-Bit A/D Converter (ADC12)

42.1 Overview

The MCU provides two 12-bit successive approximation A/D converter (ADC12) units. Analog input channels are selectable up to 11 in unit 0 and up to 8 in unit 1. Each 2 analog inputs of unit 0 and 1 are assigned to same port (AN005/AN105, AN006/AN106), up to 17 ports are available as analog input. The temperature sensor output and an internal reference voltage are selectable for conversion of each unit 0 and 1. The A/D conversion accuracy is selectable from 12-, 10-, and 8-bit conversion, making it possible to optimize the trade-off between speed and resolution in generating a digital value.

ADC12 features include:

- 11 channels (unit 0), 8 channels (unit 1), Total usable 17 channels

2.2 Page 1285

Before

Table 42.1 ADC12 specifications (1 of 3)

Parameter	Specifications
Number of units	Two units, 0 and 1
Input channels	<ul style="list-style-type: none"> • Unit 0: Up to 11 channels • Unit 1: Up to 8 channels.

After

Table 42.1 ADC12 specifications (1 of 3)

Parameter	Specifications
Number of units	Two units, 0 and 1
Input channels	<ul style="list-style-type: none"> • Unit 0: Up to 11 channels • Unit 1: Up to 8 channels. (2 channels share same port pin)

2.3 Page 1287

Before

Table 42.2 ADC12 functions

Parameter			Unit 0 (ADC120)	Unit 1 (ADC121)
Analog input channel			AN000 to AN003, AN005 to AN007, AN016 to AN018, AN020 Internal reference voltage Temperature sensor output	AN100 to AN102, AN105 to AN107, AN116, AN117 Internal reference voltage Temperature sensor output
Conditions for A/D	Software	Software trigger	Enabled	Enabled

After

Table 42.2 ADC12 functions

Parameter			Unit 0 (ADC120)	Unit 1 (ADC121)
Analog input channel *3			AN000 to AN003, AN005 to AN007, AN016 to AN018, AN020 Internal reference voltage Temperature sensor output	AN100 to AN102, AN105 to AN107, AN116, AN117 Internal reference voltage Temperature sensor output
Conditions for A/D	Software	Software trigger	Enabled	Enabled

Note 3. AN005 & AN105 and AN006 & AN106 are assigned to same port pin.

2.4 Page 1288

Before

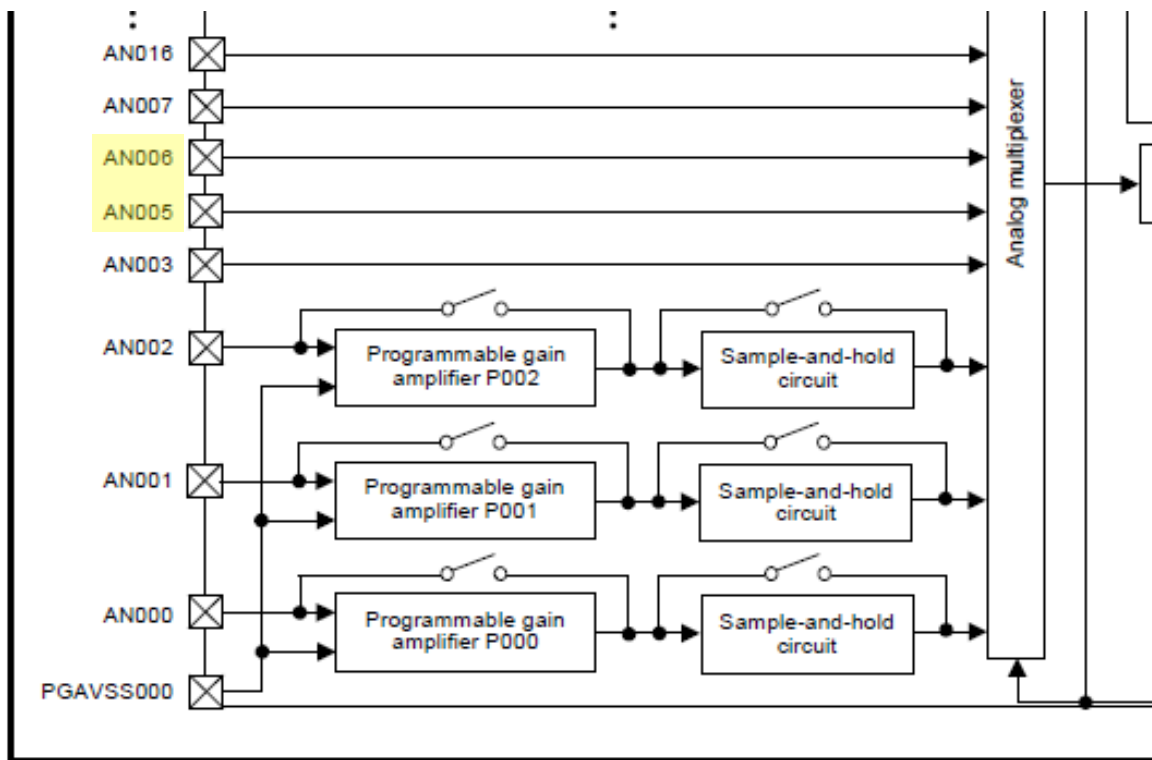


Figure 42.1 ADC12 unit 0 block diagram

After

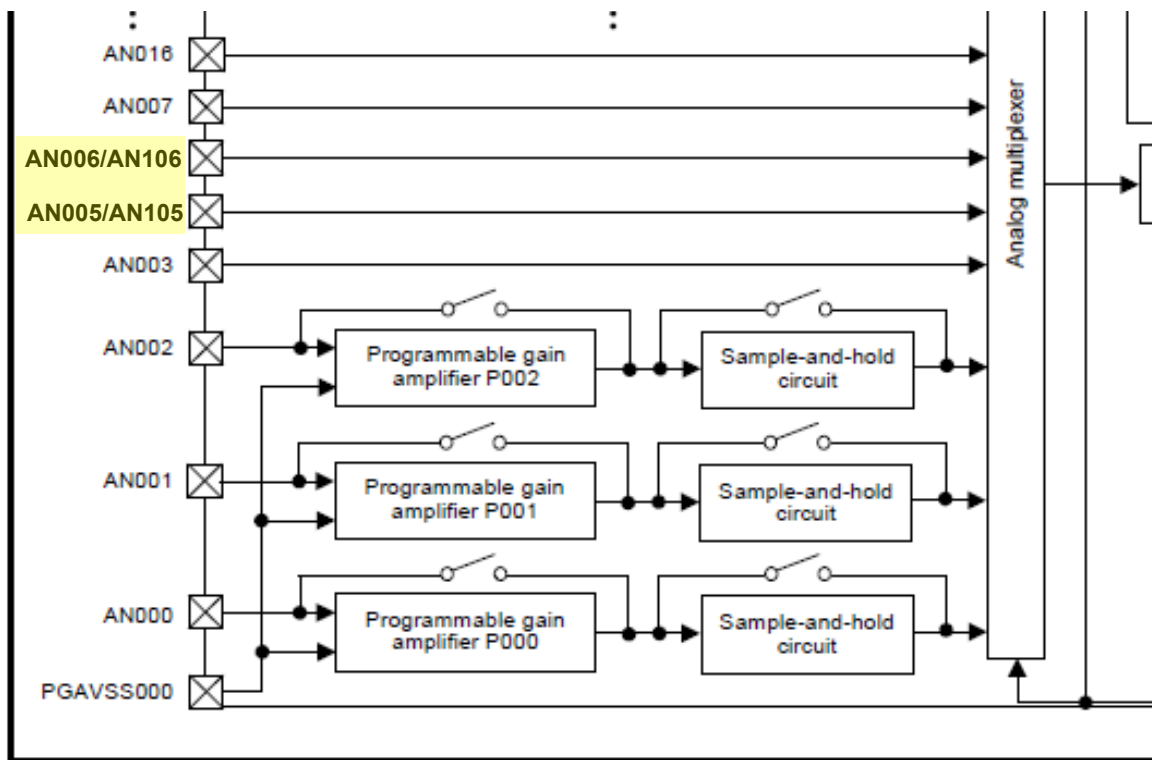


Figure 42.1 ADC12 unit 0 block diagram

2.5 Page 1289

Before

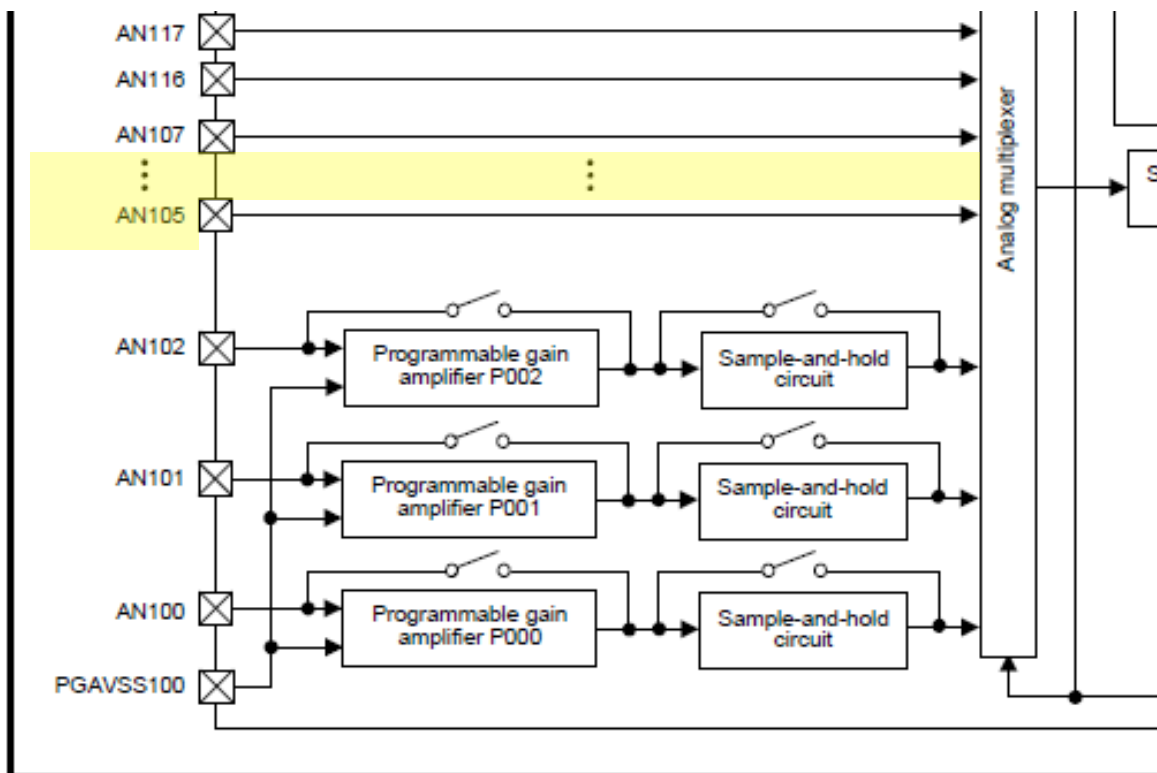


Figure 42.2 ADC12 unit 1 block diagram

After

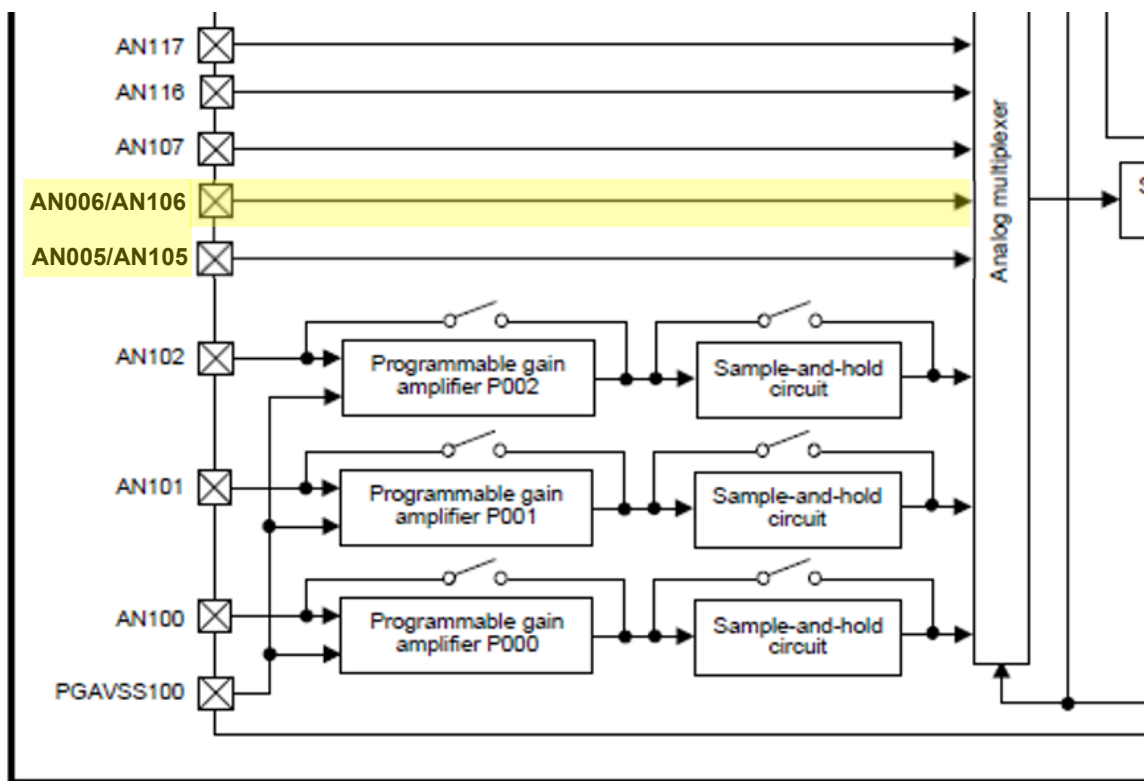


Figure 42.2 ADC12 unit 1 block diagram

2.6 Page 1289

Before

Table 42.3 ADC12 I/O pins

Unit	Pin name	I/O	Function
Unit 0	AVCC0	Input	Analog block power supply pin
	AVSS0	Input	Analog block power supply ground pin
	VREFH0	Input	Reference power supply pin
	VREFL0	Input	Reference power supply ground pin
	AN000 to AN003, AN005 to AN007, AN016 to AN018, AN020	Input	Analog input pins 0 to 3, 5 to 7, 16 to 18, and 20
	ADTRG0	Input	External trigger input pin for starting A/D conversion, active low
	PGAVSS000	Input	Differential input pin
Unit 1	AVCC0	Input	Analog block power supply pin
	AVSS0	Input	Analog block power supply ground pin
	VREFH	Input	Reference power supply pin for ADC12 unit 1 and DAC
	VRELF	Input	Reference power supply ground pin for ADC12 unit 1 and DAC
	AN100 to AN102, AN105 to AN107, AN116, AN117	Input	Analog input pins 0 to 2, 5 to 7, 16, and 17
	ADTRG1	Input	External trigger input pin for starting A/D conversion, active low
	PGAVSS100	Input	Differential input pin

After

Table 42.3 ADC12 I/O pins

Unit	Pin name	I/O	Function
Unit 0	AVCC0	Input	Analog block power supply pin
	AVSS0	Input	Analog block power supply ground pin
	VREFH0	Input	Reference power supply pin
	VREFL0	Input	Reference power supply ground pin
	AN000 to AN003, AN005 to AN007,*1 AN016 to AN018, AN020	Input	Analog input pins 0 to 3, 5 to 7, 16 to 18, and 20
	ADTRG0	Input	External trigger input pin for starting A/D conversion, active low
	PGAVSS000	Input	Differential input pin
Unit 1	AVCC0	Input	Analog block power supply pin
	AVSS0	Input	Analog block power supply ground pin
	VREFH	Input	Reference power supply pin for ADC12 unit 1 and DAC
	VRELF	Input	Reference power supply ground pin for ADC12 unit 1 and DAC
	AN100 to AN102, AN105 to AN107,*1 AN116, AN117	Input	Analog input pins 0 to 2, 5 to 7, 16, and 17
	ADTRG1	Input	External trigger input pin for starting A/D conversion, active low
	PGAVSS100	Input	Differential input pin

Note 1. AN005 & AN105 and AN006 & AN106 are assigned to same port pin.