

RENESAS TECHNICAL UPDATE

TOYOSU FORESIA, 3-2-24, Toyosu, Koto-ku, Tokyo 135-0061, Japan
Renesas Electronics Corporation

Product Category	MPU/MCU		Document No.	TN-RA*-A0003A/E	Rev.	1.00
Title	Errata for User's Manual: Hardware for SCE7		Information Category	Technical Notification		
Applicable Product	RA6M1 Group RA6M2 Group RA6M3 Group	Lot No.	Reference Document	RA6M1 Group User's Manual Hardware Rev.1.00 RA6M2 Group User's Manual Hardware Rev.1.00 RA6M3 Group User's Manual Hardware Rev.1.00		
		All				

SCE7 is used in user mode and privileged mode. Therefore, the following descriptions should be deleted.

- In Table 41.1 SCE7 specifications, Privileged mode: The privileged mode signal is connected to the access management circuit and is used to limit control of the SCE7 module to privileged mode only.
- In Figure 41.1, Privileged mode signal.

An example is shown below.

RA6M1 Group

41. Secure Cryptographic Engine (SCE7)

Table 41.1 SCE7 specifications (2 of 2)

Parameter	Specifications
Unique ID	<ul style="list-style-type: none"> • An ID unique to the MCU (unique ID) is accessible from the access management circuit through the dedicated bus • Combining the unique ID with the key generation information prevents illicit copying of data to another MCU.
Privileged mode	The privileged mode signal is connected to the access management circuit and is used to limit control of the SCE7 module to privileged mode only.
Low power consumption	Setting of the module-stop state is possible

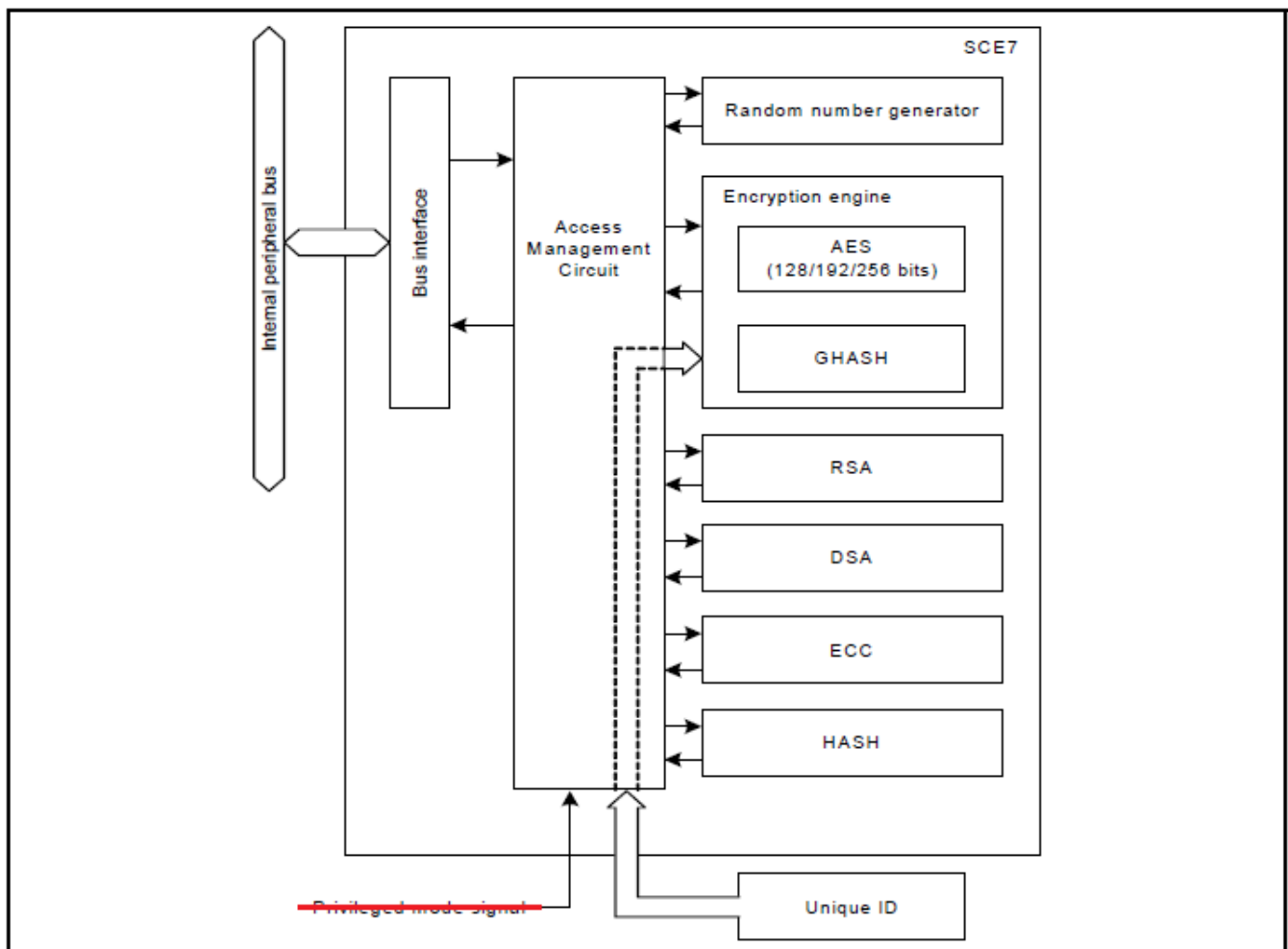


Figure 41.1 SCE7 block diagram