

RENESAS TECHNICAL UPDATE

1753, Shimonumabe, Nakahara-ku, Kawasaki-shi, Kanagawa 211-8668 Japan
Renesas Electronics Corporation

| | | | | | | |
|--------------------|---|----------|----------------------|---|------|------|
| Product Category | MPU/MCU | | Document No. | TN-RL*-A041A/E | Rev. | 1.00 |
| Title | Correction for Incorrect Description Notice RL78/G14 Descriptions in the Hardware User's Manual Rev. 3.10 Changed | | Information Category | Technical Notification | | |
| Applicable Product | RL78/G14 R5F104xxx | Lot No. | Reference Document | RL78/G14 User's Manual: Hardware Rev.3.10 R01UH0186EJ0310 (Sep. 2014) | | |
| | | All lots | | | | |

This document describes misstatements found in the RL78/G14 User's Manual: Hardware Rev.3.10 (R01UH0186EJ0310).

Corrections

| Applicable Item | Applicable Page | Contents |
|--|--|--------------------------------|
| 1.2 Ordering Information Deletion of R5F104JK and R5F104JL from 52-pin | Page 8 | Content change |
| 1.3.7 52-pin products deletion of note2. | Page 19 | Content change |
| 1.6 Outline of Functions Deletion of 52-pin information | Pages 48 to 50 | Content change |
| 2.1.15 52-pin (Code Flash Memory 96 KB to 512 KB) Deletion of ROM 384KB and 512KB information | Page 84 | Content change |
| Deletion of R5F104JK and R5F104JL information | Pages 131, 132, 136, 137, 138, 143, 148, 193, 958, 981, 1086, 1134 and 1304 | Content change |
| 6.3.3 Timer mode register mn Figure 6 - 12 the count clock selection | Page 303 | Incorrect descriptions revised |
| 17.3.12 Serial output register m (SOM) Figure 17 - 19 Reset value of serial output register m (SOM) | Page 708 | Incorrect descriptions revised |
| 19.5.3 DTC Pending Instruction | Page 982 | Incorrect descriptions revised |
| 21.4.4 Interrupt servicing during division instruction | Page 1021 | Specifications added |
| 21.4.5 Interrupt request hold | Page 1022 | Incorrect descriptions revised |
| 33.2 Operation List | Page 1153 | Specifications added |

Document Improvement

The above corrections will be made for the next revision of the User's Manual: Hardware.

Corrections in the User's Manual: Hardware

| No. | Corrections and Applicable Items | | | Pages in this document for corrections |
|-----|--|---------|---|--|
| | Document No. | English | R01UH0186EJ0310 | |
| 1 | 1.2 Ordering Information Deletion of R5F104JK and R5F104JL from 52-pin | | Page 8 | p.3 |
| 2 | 1.3.7 52-pin products deletion of note2. | | Page 19 | p.4 |
| 3 | 1.6 Outline of Functions Deletion of 52-pin information | | Pages 48-50 | p.5-7 |
| 4 | 2.1.15 52-pin (Code Flash Memory 96 KB to 512 KB) Deletion of ROM 384KB and 512KB information | | Page 84 | p.8 |
| 5 | Deletion of R5F104JK and R5F104JL information | | Pages 131, 132, 136, 137, 138, 143, 148, 193, 958, 981, 1086, 1134 and 1304 | p.9-14 |
| 6 | 6.3.3 Timer mode register mn Figure 6 - 12 the count clock selection | | Page 303 | p.15 |
| 7 | 17.3.12 Serial output register m (SOM) Figure 17 - 19 Reset value of serial output register m (SOM) | | Page 708 | p.16 |
| 8 | 19.5.3 DTC Pending Instruction | | Page 981 | p.17 |
| 9 | 21.4.4 Interrupt servicing during division instruction | | Page 1021 | p.18 |
| 10 | 21.4.5 Interrupt request hold | | Page 1022 | p.19 |
| 11 | 33.2 Operation List | | Page 1153 | p.20 |

Incorrect: Bold with underline; Correct: Gray hatched

Revision History

RL78/G14 User's Manual: Hardware Rev.3.10 Correction for Incorrect Description Notice

| Document Number | Date | Description |
|-----------------|--------------|---|
| TN-RL*-A041A/E | Dec. 3, 2014 | First edition issued No.1 to 11 in corrections (This notice) |

1. 1.2 Ordering Information
Deletion of R5F104JK and R5F104JL from 52-pin (page 8)

Incorrect:

| Pin count | Package | Fields of Application <small>Note 1</small> | Ordering Part Number |
|-----------|--|--|--|
| (Omitted) | | | |
| 52 pins | 52-pin plastic LQFP (10 × 10 mm, 0.65 mm pitch) | A | R5F104JCAFA#V0, R5F104JDAFA#V0, R5F104JEAFA#V0, R5F104JFAFA#V0, R5F104JGAFV0, R5F104JHAFV0, R5F104JJAFV0 R5F104JCAFA#X0, R5F104JDAFA#X0, R5F104JEAFA#X0, R5F104JFAFA#X0, R5F104JGAFV0, R5F104JHAFV0, R5F104JJAFV0 R5F104JKAFV0 ^{Note2} , R5F104JLAFV0 ^{Note2} R5F104JKAFV0 ^{Note2} , R5F104JLAFV0 ^{Note2} |
| | | D | R5F104JCDFA#V0, R5F104JDDFA#V0, R5F104JEDFA#V0, R5F104JFDFA#V0, R5F104JGDFV0, R5F104JHDFV0, R5F104JJDFV0 R5F104JCDFA#X0, R5F104JDDFA#X0, R5F104JEDFA#X0, R5F104JFDFA#X0, R5F104JGDFV0, R5F104JHDFV0, R5F104JJDFV0 |
| | | G | R5F104JCGFA#V0, R5F104JDGFA#V0, R5F104JEGFA#V0, R5F104JFGFA#V0, R5F104JGGFA#V0, R5F104JHGFA#V0, R5F104JJGFA#V0 R5F104JCGFA#X0, R5F104JDGFA#X0, R5F104JEGFA#X0, R5F104JFGFA#X0, R5F104JGGFA#X0, R5F104JHGFA#X0, R5F104JJGFA#X0 R5F104JKGFA#30 ^{Note2} , R5F104JLGFA#30 ^{Note2} R5F104JKGFA#50 ^{Note2} , R5F104JLGFA#50 ^{Note2} |

(Omitted)

Correct:

| Pin count | Package | Fields of Application <small>Note 1</small> | Ordering Part Number |
|-----------|--|--|--|
| (Omitted) | | | |
| 52 pins | 52-pin plastic LQFP (10 × 10 mm, 0.65 mm pitch) | A | R5F104JCAFA#V0, R5F104JDAFA#V0, R5F104JEAFA#V0, R5F104JFAFA#V0, R5F104JGAFV0, R5F104JHAFV0, R5F104JJAFV0 R5F104JCAFA#X0, R5F104JDAFA#X0, R5F104JEAFA#X0, R5F104JFAFA#X0, R5F104JGAFV0, R5F104JHAFV0, R5F104JJAFV0 |
| | | D | R5F104JCDFA#V0, R5F104JDDFA#V0, R5F104JEDFA#V0, R5F104JFDFA#V0, R5F104JGDFV0, R5F104JHDFV0, R5F104JJDFV0 R5F104JCDFA#X0, R5F104JDDFA#X0, R5F104JEDFA#X0, R5F104JFDFA#X0, R5F104JGDFV0, R5F104JHDFV0, R5F104JJDFV0 |
| | | G | R5F104JCGFA#V0, R5F104JDGFA#V0, R5F104JEGFA#V0, R5F104JFGFA#V0, R5F104JGGFA#V0, R5F104JHGFA#V0, R5F104JJGFA#V0 R5F104JCGFA#X0, R5F104JDGFA#X0, R5F104JEGFA#X0, R5F104JFGFA#X0, R5F104JGGFA#X0, R5F104JHGFA#X0, R5F104JJGFA#X0 |

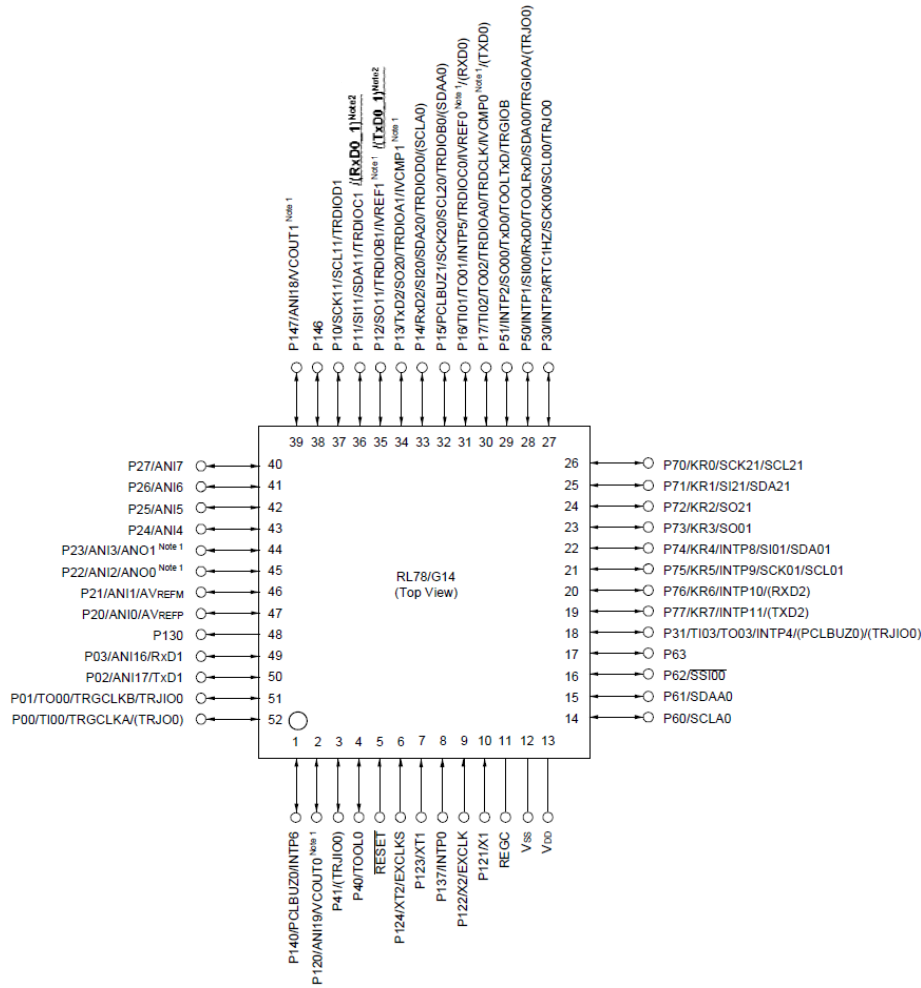
(Omitted)

2. 1.3.7 52-pin products deletion of note2. (page 19)

Incorrect:

1.3.7 52-pin products

- 52-pin plastic LQFP (10 × 10 mm, 0.65 mm pitch)



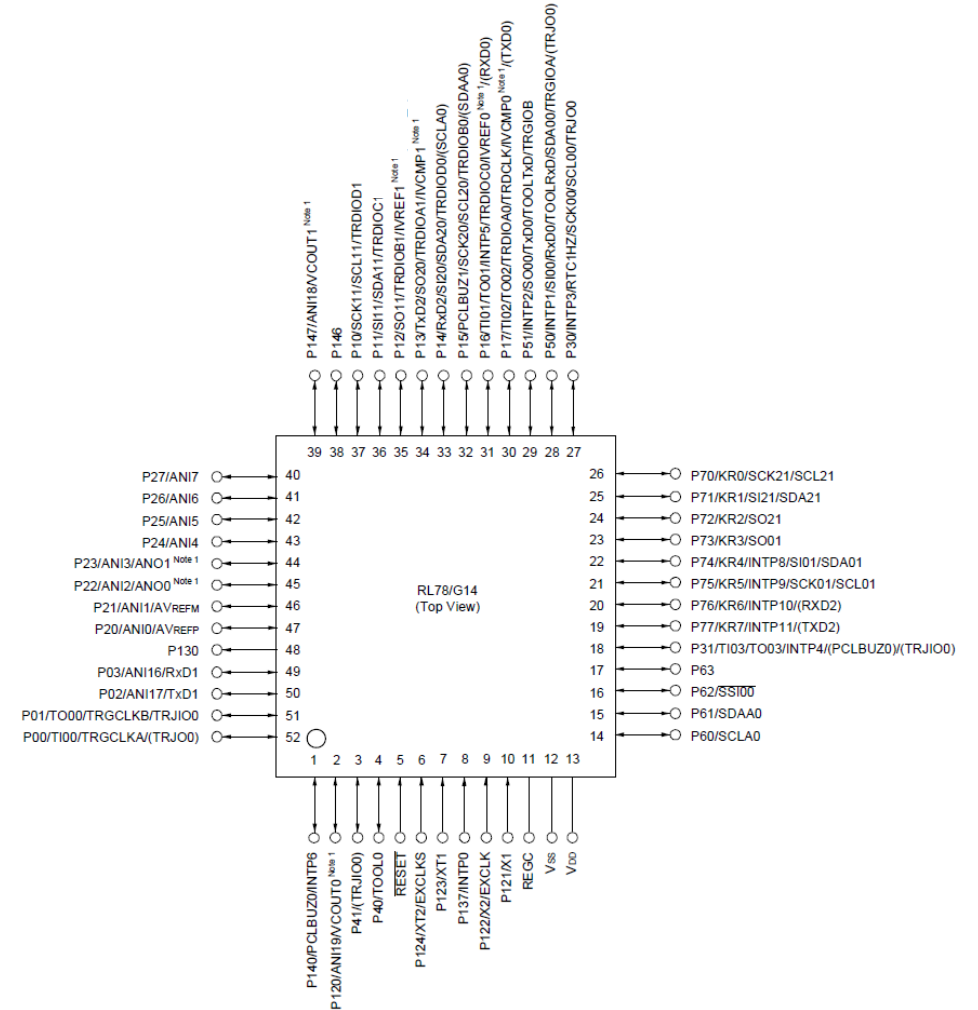
Note 1. Mounted on the 96 KB or more code flash memory products.

~~Note 2. Mounted on the 384 KB or more code flash memory products.~~

Correct:

1.3.7 52-pin products

- 52-pin plastic LQFP (10 × 10 mm, 0.65 mm pitch)



Note 1. Mounted on the 96 KB or more code flash memory products.

3. 1.6 Outline of Functions
Deletion of 52-pin information (Pages 48 to 50)

Incorrect:

[48-pin, ~~52-pin~~, 64-pin products (code flash memory 384 KB to ~~512 KB~~)
 Caution This outline describes the functions at the time when Peripheral I/O redirection register 0, 1(PIOR0, 1) are set to 00H.

(1/2)

| Item | 48-pin | 52-pin | 64-pin |
|------------------------|--|---|--------------------------|
| | R5F104Gx (x = K, L) | R5F104Jx (x = K, L) | R5F104Lx (x = K, L) |
| Code flash memory (KB) | 384 to 512 | 384 to 512 | 384 to 512 |
| Data flash memory (KB) | 8 | 8 | 8 |
| RAM (KB) | 32 to 48 ^{Note} | 32 to 48 ^{Note} | 32 to 48 ^{Note} |
| Address space | 1 MB | | |
| (Omitted) | | | |
| I/O port | Total | 44 | 48 58 |
| | CMOS I/O | 34 | 38 48 |
| | CMOS input | 5 | 5 5 |
| | CMOS output | 1 | 1 1 |
| | N-ch open-drain I/O (6 V tolerance) | 4 | 4 4 |
| Timer | 16-bit timer | 8 channels (TAU: 4 channels, Timer RJ: 1 channel, Timer RD: 2 channels, Timer RG: 1 channel) | |
| | Watchdog timer | 1 channel | |
| | Real-time clock(RTC) | 1 channel | |
| | 12-bit interval timer | 1 channel | |
| | Timer output | Timer outputs: 14 channels PWM outputs: 9 channels | |
| | RTC output | 1 • 1 Hz (subsystem clock: f _{SUB} = 32.768 kHz) | |

(Note is listed on the next page.)

Correct:

[48-pin, 64-pin products (code flash memory 384 KB to 256 KB)]
 Caution This outline describes the functions at the time when Peripheral I/O redirection register 0, 1(PIOR0, 1) are set to 00H.

(1/2)

| Item | 48-pin | 64-pin | |
|------------------------|--|---|----|
| | R5F104Gx (x = K, L) | R5F104Lx (x = K, L) | |
| Code flash memory (KB) | 384 to 512 | 384 to 512 | |
| Data flash memory (KB) | 8 | 8 | |
| RAM (KB) | 32 to 48 ^{Note} | 32 to 48 ^{Note} | |
| Address space | 1 MB | | |
| (Omitted) | | | |
| I/O port | Total | 44 | 58 |
| | CMOS I/O | 34 | 48 |
| | CMOS input | 5 | 5 |
| | CMOS output | 1 | 1 |
| | N-ch open-drain I/O (6 V tolerance) | 4 | 4 |
| Timer | 16-bit timer | 8 channels (TAU: 4 channels, Timer RJ: 1 channel, Timer RD: 2 channels, Timer RG: 1 channel) | |
| | Watchdog timer | 1 channel | |
| | Real-time clock(RTC) | 1 channel | |
| | 12-bit interval timer | 1 channel | |
| | Timer output | Timer outputs: 14 channels PWM outputs: 9 channels | |
| | RTC output | 1 • 1 Hz (subsystem clock: f _{SUB} = 32.768 kHz) | |

(Note is listed on the next page.)

Incorrect:

Note The flash library uses RAM in self-programming and rewriting of the data flash memory. The target products and start address of the RAM areas used by the flash library are shown below.

~~R5F104xL (x = G, J, L, M, P):~~ Start address F3F00H

For the RAM areas used by the flash library, see Self RAM list of Flash Self-Programming Library for RL78 Family (R20UT2944).

Correct:

Note The flash library uses RAM in self-programming and rewriting of the data flash memory. The target products and start address of the RAM areas used by the flash library are shown below.

R5F104xL (x = G, L, M, P): Start address F3F00H

For the RAM areas used by the flash library, see Self RAM list of Flash Self-Programming Library for RL78 Family (R20UT2944).

Incorrect:

(2/2)

| Item | 48-pin | 52-pin | 64-pin |
|-----------------------------------|---|--|------------------------|
| | R5F104Gx (x = K, L) | R5F104Jx (x = K, L) | R5F104Lx (x = K, L) |
| Clock output/buzzer output | 2 | 2 | 2 |
| | <ul style="list-style-type: none"> • 2.44 kHz, 4.88 kHz, 9.76 kHz, 1.25 MHz, 2.5 MHz, 5 MHz, 10 MHz (Main system clock: fMAIN = 20 MHz operation) • 256 Hz, 512 Hz, 1.024 kHz, 2.048 kHz, 4.096 kHz, 8.192 kHz, 16.384 kHz, 32.768 kHz (Subsystem clock: fSUB = 32.768 kHz operation) | | |
| 8/10-bit resolution A/D converter | 10 channels | 12 channels | 12 channels |
| D/A converter | 2 channels | | |
| Comparator | 2 channels | | |
| Serial interface | [48-pin, 52-pin products] • CSI: 2 channels/UART (UART supporting LIN-bus): 1 channel/simplified I2C: 2 channels • CSI: 1 channel/UART: 1 channel/simplified I2C: 1 channel • CSI: 2 channels/UART: 1 channel/simplified I2C: 2 channels [64-pin products] • CSI: 2 channels/UART (UART supporting LIN-bus): 1 channel/simplified I2C: 2 channels • CSI: 2 channels/UART: 1 channel/simplified I2C: 2 channels • CSI: 2 channels/UART: 1 channel/simplified I2C: 2 channels | | |
| | I ² C bus | 1 channel | 1 channel |
| Data transfer controller (DTC) | 32 sources | | 33 sources |
| Event link controller (ELC) | Event input: 22 Event trigger output: 9 | | |
| Vectored interrupt sources | Internal | 24 | 24 |
| | External | 10 | 12 |
| Key interrupt | 6 | | 8 |
| Reset | <ul style="list-style-type: none"> • Reset by RESET pin • Internal reset by watchdog timer • Internal reset by power-on-reset • Internal reset by voltage detector • Internal reset by illegal instruction execution Note • Internal reset by RAM parity error • Internal reset by illegal-memory access | | |
| Power-on-reset circuit | <ul style="list-style-type: none"> • Power-on-reset: 1.51 ±0.03 V • Power-down-reset: 1.50 ±0.03 V | | |
| Voltage detector | 1.63 V to 4.06 V (14 stages) | | |
| On-chip debug function | Provided | | |
| Power supply voltage | VDD = 1.6 to 5.5 V | | |
| Operating ambient temperature | TA = -40 to +85°C (A: Consumer applications, D: Industrial applications), TA = -40 to +105°C (G: Industrial applications) | | |

(Omitted)

Correct:

(2/2)

| Item | 48-pin | 64-pin |
|-----------------------------------|--|------------------------|
| | R5F104Gx (x = K, L) | R5F104Lx (x = K, L) |
| Clock output/buzzer output | 2 | 2 |
| | <ul style="list-style-type: none"> • 2.44 kHz, 4.88 kHz, 9.76 kHz, 1.25 MHz, 2.5 MHz, 5 MHz, 10 MHz (Main system clock: fMAIN = 20 MHz operation) • 256 Hz, 512 Hz, 1.024 kHz, 2.048 kHz, 4.096 kHz, 8.192 kHz, 16.384 kHz, 32.768 kHz (Subsystem clock: fSUB = 32.768 kHz operation) | |
| 8/10-bit resolution A/D converter | 10 channels | 12 channels |
| D/A converter | 2 channels | |
| Comparator | 2 channels | |
| Serial interface | [48-pin products] • CSI: 2 channels/UART (UART supporting LIN-bus): 1 channel/simplified I2C: 2 channels • CSI: 1 channel/UART: 1 channel/simplified I2C: 1 channel • CSI: 2 channels/UART: 1 channel/simplified I2C: 2 channels [64-pin products] • CSI: 2 channels/UART (UART supporting LIN-bus): 1 channel/simplified I2C: 2 channels • CSI: 2 channels/UART: 1 channel/simplified I2C: 2 channels • CSI: 2 channels/UART: 1 channel/simplified I2C: 2 channels | |
| | I ² C bus | 1 channel |
| Data transfer controller (DTC) | 32 sources | |
| Event link controller (ELC) | Event input: 22 Event trigger output: 9 | |
| Vectored interrupt sources | Internal | 24 |
| | External | 10 |
| Key interrupt | 6 | |
| Reset | <ul style="list-style-type: none"> • Reset by RESET pin • Internal reset by watchdog timer • Internal reset by power-on-reset • Internal reset by voltage detector • Internal reset by illegal instruction execution Note • Internal reset by RAM parity error • Internal reset by illegal-memory access | |
| Power-on-reset circuit | <ul style="list-style-type: none"> • Power-on-reset: 1.51 ±0.03 V • Power-down-reset: 1.50 ±0.03 V | |
| Voltage detector | 1.63 V to 4.06 V (14 stages) | |
| On-chip debug function | Provided | |
| Power supply voltage | VDD = 1.6 to 5.5 V | |
| Operating ambient temperature | TA = -40 to +85°C (A: Consumer applications, D: Industrial applications), TA = -40 to +105°C (G: Industrial applications) | |

(Omitted)

4. 2.1.15 52-pin (Code Flash Memory 96 KB to 512 KB)
Deletion of ROM 384KB and 512KB information (Page 84)

Incorrect:

2.1.15 52-pin (Code Flash Memory 96 KB to **512 KB**)

(1/2)

| Function Name | Pin Type | I/O | After Reset Release | Alternate Function | Function |
|---------------|----------|-----|---------------------|--|--|
| (Omitted) | | | | | |
| P10 | 8-1-8 | I/O | Input port | SCK11/SCL11/TRDIOD1 | Port 1. 8-bit I/O port. Input/output can be specified in 1-bit units. (Omitted) |
| P11 | 7-1-8 | | | SI11/SDA11/TRDIOC1/ (RxD0_1) ^{Note3} | |
| P12 | 7-6-6 | | | SO11/TRDIQB1/IVREF1/ (INTP5)/(TxD0_1) ^{Note3} | |
| (Omitted) | | | | | |

Note 1. Each pin can be specified as either digital or analog by setting port mode control register x (PMCx) (Can be specified in 1-bit units).

Note 2. Each pin can be specified as either digital or analog by setting the A/D port configuration register (ADPC).

Note 3. Mounted on the 384 KB or more code flash memory products.

Remark Functions in parentheses in the above figure can be assigned via settings in the peripheral I/O redirection registers 0, 1(PIOR0, 1).

Correct:

2.1.15 52-pin (Code Flash Memory 96 KB to **256 KB**)

(1/2)

| Function Name | Pin Type | I/O | After Reset Release | Alternate Function | Function |
|---------------|----------|-----|---------------------|---------------------------------|--|
| (Omitted) | | | | | |
| P10 | 8-1-8 | I/O | Input port | SCK11/SCL11/TRDIOD1 | Port 1. 8-bit I/O port. Input/output can be specified in 1-bit units. (Omitted) |
| P11 | 7-1-8 | | | SI11/SDA11/TRDIOC1 | |
| P12 | 7-6-6 | | | SO11/TRDIQB1/IVREF1/ (INTP5) | |
| (Omitted) | | | | | |

Note 1. Each pin can be specified as either digital or analog by setting port mode control register x (PMCx) (Can be specified in 1-bit units).

Note 2. Each pin can be specified as either digital or analog by setting the A/D port configuration register (ADPC).

Remark Functions in parentheses in the above figure can be assigned via settings in the peripheral I/O redirection registers 0, 1(PIOR0, 1).

5. Deletion of R5F104JK and R5F104JL information
(the corresponding page is indicated below.)

3.1 Memory Space (Page 131)

Incorrect:

Figure 3 - 9 Memory Map (~~R5F104xK (x = G, J, L, M, P)~~)

3.1 Memory Space (Page 132)

Incorrect:

Figure 3 - 10 Memory Map (~~R5F104xL (x = G, J, L, M, P)~~)

Remark of Correspondence Between Address Values and Block Numbers in Flash Memory (Page 136)

Incorrect:

Table 3 - 3 Correspondence Between Address Values and Block Numbers in Flash Memory (3/4)

(Omitted)

Remark ~~R5F104xK (x = G, J, L, M, P)~~: Block numbers 00H to 17FH

Remark of Correspondence Between Address Values and Block Numbers in Flash Memory (Page 137)

Incorrect:

Table 3 - 4 Correspondence Between Address Values and Block Numbers in Flash Memory (4/4)

(Omitted)

Remark ~~R5F104xL (x = G, J, L, M, P)~~: Block numbers 00H to 1FFH

3.1 Memory Space (Page 131)

Correct:

Figure 3 - 9 Memory Map (R5F104xK (x = G, L, M, P))

3.1 Memory Space (Page 132)

Correct:

Figure 3 - 10 Memory Map (R5F104xL (x = G, L, M, P))

Remark of Correspondence Between Address Values and Block Numbers in Flash Memory (Page 136)

Correct:

Table 3 - 3 Correspondence Between Address Values and Block Numbers in Flash Memory (3/4)

(Omitted)

Remark R5F104xK (x = G, L, M, P): Block numbers 00H to 17FH

Remark of Correspondence Between Address Values and Block Numbers in Flash Memory (Page 137)

Correct:

Table 3 - 4 Correspondence Between Address Values and Block Numbers in Flash Memory (4/4)

(Omitted)

Remark R5F104xL (x = G, L, M, P): Block numbers 00H to 1FFH

3.1.1 Internal program memory space (page 138)

Incorrect:

Table 3 - 5 Internal ROM Capacity

| Part Number | Internal ROM | |
|---|--------------|---|
| | Structure | Capacity |
| R5F104xA (x = A to C, E to G) | Flash memory | 16384 × 8bits(00000H to 03FFFFH) |
| R5F104xC (x = A to C, E to G, J, L) | | 32768 × 8bits(00000H to 07FFFFH) |
| R5F104xD (x = A to C, E to G, J, L) | | 49152 × 8bits(00000H to 0BFFFFH) |
| R5F104xE (x = A to C, E to G, J, L) | | 65536 × 8bits(00000H to 0FFFFH) |
| R5F104xF (x = A to C, E to G, J, L, M, P) | | 98304 × 8bits(00000H to 17FFFFH) |
| R5F104xG (x = A to C, E to G, J, L, M, P) | | 131072 × 8bits(00000H to 1FFFFH) |
| R5F104xH (x = E to G, J, L, M, P) | | 196608 × 8bits(00000H to 2FFFFH) |
| R5F104xJ (x = F, G, J, L, M, P) | | 262144 × 8bits(00000H to 3FFFFH) |
| R5F104xK (x = G, J, L, M, P) | | 393216 × 8bits(00000H to 5FFFFH) |
| R5F104xL (x = G, J, L, M, P) | | 524288 × 8bits(00000H to 7FFFFH) |

(Omitted)

3.1.3 Internal data memory space (page 143)

Incorrect:

Table 3 - 8 Internal RAM Capacity

| Part Number | Internal RAM |
|---|--|
| R5F104xA (x = A to C, E to G) | 2560 × 8bits(FF500H to FFEFFH) |
| R5F104xC (x = A to C, E to G, J, L) | 4096 × 8bits(FEF00H to FFEFFH) |
| R5F104xD (x = A to C, E to G, J, L) | 5632 × 8bits(FE900H to FFEFFH) |
| R5F104xE (x = A to C, E to G, J, L) | |
| R5F104xF (x = A to C, E to G, J, L, M, P) | 12288 × 8bits(FCF00H to FFEFFH) |
| R5F104xG (x = A to C, E to G, J, L, M, P) | 16384 × 8bits(FBF00H to FFEFFH) |
| R5F104xH (x = E to G, J, L, M, P) | 20480 × 8bits(FAF00H to FFEFFH) |
| R5F104xJ (x = F, G, J, L, M, P) | 24576 × 8bits(F9F00H to FFEFFH) |
| R5F104xK (x = G, J, L, M, P) | 32768 × 8bits(F7F00H to FFEFFH) |
| R5F104xL (x = G, J, L, M, P) | 49152 × 8bits(F3F00H to FFEFFH) |

(Omitted)

3.1.1 Internal program memory space (page 138)

Correct:

Table 3 - 5 Internal ROM Capacity

| Part Number | Internal ROM | |
|---|--------------|----------------------------------|
| | Structure | Capacity |
| R5F104xA (x = A to C, E to G) | Flash memory | 16384 × 8bits(00000H to 03FFFFH) |
| R5F104xC (x = A to C, E to G, J, L) | | 32768 × 8bits(00000H to 07FFFFH) |
| R5F104xD (x = A to C, E to G, J, L) | | 49152 × 8bits(00000H to 0BFFFFH) |
| R5F104xE (x = A to C, E to G, J, L) | | 65536 × 8bits(00000H to 0FFFFH) |
| R5F104xF (x = A to C, E to G, J, L, M, P) | | 98304 × 8bits(00000H to 17FFFFH) |
| R5F104xG (x = A to C, E to G, J, L, M, P) | | 131072 × 8bits(00000H to 1FFFFH) |
| R5F104xH (x = E to G, J, L, M, P) | | 196608 × 8bits(00000H to 2FFFFH) |
| R5F104xJ (x = F, G, J, L, M, P) | | 262144 × 8bits(00000H to 3FFFFH) |
| R5F104xK (x = G, L, M, P) | | 393216 × 8bits(00000H to 5FFFFH) |
| R5F104xL (x = G, L, M, P) | | 524288 × 8bits(00000H to 7FFFFH) |

(Omitted)

3.1.3 Internal data memory space (page 143)

Correct:

Table 3 - 8 Internal RAM Capacity

| Part Number | Internal RAM |
|---|---------------------------------|
| R5F104xA (x = A to C, E to G) | 2560 × 8bits(FF500H to FFEFFH) |
| R5F104xC (x = A to C, E to G, J, L) | 4096 × 8bits(FEF00H to FFEFFH) |
| R5F104xD (x = A to C, E to G, J, L) | 5632 × 8bits(FE900H to FFEFFH) |
| R5F104xE (x = A to C, E to G, J, L) | |
| R5F104xF (x = A to C, E to G, J, L, M, P) | 12288 × 8bits(FCF00H to FFEFFH) |
| R5F104xG (x = A to C, E to G, J, L, M, P) | 16384 × 8bits(FBF00H to FFEFFH) |
| R5F104xH (x = E to G, J, L, M, P) | 20480 × 8bits(FAF00H to FFEFFH) |
| R5F104xJ (x = F, G, J, L, M, P) | 24576 × 8bits(F9F00H to FFEFFH) |
| R5F104xK (x = G, L, M, P) | 32768 × 8bits(F7F00H to FFEFFH) |
| R5F104xL (x = G, L, M, P) | 49152 × 8bits(F3F00H to FFEFFH) |

(Omitted)

3.2.1 Control registers (page 148)

Incorrect:

(Omitted)

Caution 4. The flash library uses RAM in self-programming and rewriting of the data flash memory. The target products and start address of the RAM areas used by the flash library are shown below.

R5F104xD (x = A to C, E to G, J, L): Start address FE900H

R5F104xE (x = A to C, E to G, J, L): Start address FE900H

R5F104xJ (x = F, G, J, L, M, P): Start address F9F00H

~~R5F104xL (x = G, J, L, M, P): Start address F3F00H~~

For the RAM areas used by the flash library, see Self RAM list of Flash Self-Programming Library for RL78 Family (R20UT2944).

Caution 5. The internal RAM area in the following products cannot be used as stack memory when using the on-chip debugging trace function.

R5F104xJ (x = A to C, E to G, J, L): FA300H to FA6FFH

~~R5F104xL (x = G, J, L, M, P): F4300H to F46FFH~~

4.3 Registers Controlling Port Function (page 193)

Incorrect:

(Omitted)

Note 1. 30-pin and 32-pin products only.

Note 2. R5F104xF (x = A to C, E to G, J, L, M, P), R5F104xG (x = A to C, E to G, J, L, M, P), R5F104xH (x = E to G, J, L, M, P), R5F104xJ (x = F, G, J, L, M, P), ~~R5F104xK (x = G, J, L, M, P), R5F104xL (x = G, J, L, M, P)~~ only.

3.2.1 Control registers (page 148)

Correct:

(Omitted)

Caution 4. The flash library uses RAM in self-programming and rewriting of the data flash memory. The target products and start address of the RAM areas used by the flash library are shown below.

R5F104xD (x = A to C, E to G, J, L): Start address FE900H

R5F104xE (x = A to C, E to G, J, L): Start address FE900H

R5F104xJ (x = F, G, J, L, M, P): Start address F9F00H

R5F104xL (x = G, L, M, P): Start address F3F00H

For the RAM areas used by the flash library, see Self RAM list of Flash Self-Programming Library for RL78 Family (R20UT2944).

Caution 5. The internal RAM area in the following products cannot be used as stack memory when using the on-chip debugging trace function.

R5F104xJ (x = A to C, E to G, J, L): FA300H to FA6FFH

R5F104xL (x = G, L, M, P): F4300H to F46FFH

4.3 Registers Controlling Port Function (page 193)

Correct:

(Omitted)

Note 1. 30-pin and 32-pin products only.

Note 2. R5F104xF (x = A to C, E to G, J, L, M, P), R5F104xG (x = A to C, E to G, J, L, M, P), R5F104xH (x = E to G, J, L, M, P), R5F104xJ (x = F, G, J, L, M, P), R5F104xK (x = G, L, M, P), R5F104xL (x = G, L, M, P) only.

19.3.1 Allocation of DTC Control Data Area and DTC Vector Table Area (Page 958)

Incorrect:

(Omitted)

Caution 3. The internal RAM area in the following products cannot be used as the DTC control data area or DTC vector table area when using the self-programming and data-flash functions.

R5F104xD (x = A to C, E to G, J, L): FE900H to FED09H
 R5F104xE (x = A to C, E to G, J, L): FE900H to FED09H
 R5F104xJ (x = A to C, E to G, J, L): F9F00H to FA309H
R5F104xL (x = G, J, L, M, P): F3F00H to F4309H

Caution 4. The internal RAM area in the following products cannot be used as the DTC control data area or DTC vector table area when using the on-chip debugging trace function.

R5F104xJ (x = A to C, E to G, J, L): FA300H to FA6FFH
R5F104xL (x = G, J, L, M, P): F4300H to F46FFH

19.5.2 Allocation of DTC Control Data Area and DTC Vector Table Area (Page 981)

Incorrect:

(Omitted)

• The internal RAM area in the following products cannot be used as the DTC control data area or DTC vector table area when using the self-programming and data-flash functions.

R5F104xD (x = A to C, E to G, J, L): FE900H to FED09H
 R5F104xE (x = A to C, E to G, J, L): FE900H to FED09H
 R5F104xJ (x = A to C, E to G, J, L): F9F00H to FA309H
R5F104xL (x = G, J, L, M, P): F3F00H to F4309H

• The internal RAM area in the following products cannot be used as the DTC control data area or DTC vector table area when using the on-chip debugging trace function.

R5F104xJ (x = A to C, E to G, J, L): FA300H to FA6FFH
R5F104xL (x = G, J, L, M, P): F4300H to F46FFH

• Initialize the DTRLD register to 00H even in normal mode when parity error resets are enabled (RPERDIS = 0) using the RAM parity error detection function.

19.3.1 Allocation of DTC Control Data Area and DTC Vector Table Area (Page 958)

Correct:

(Omitted)

Caution 3. The internal RAM area in the following products cannot be used as the DTC control data area or DTC vector table area when using the self-programming and data-flash functions.

R5F104xD (x = A to C, E to G, J, L): FE900H to FED09H
 R5F104xE (x = A to C, E to G, J, L): FE900H to FED09H
 R5F104xJ (x = A to C, E to G, J, L): F9F00H to FA309H
R5F104xL (x = G, L, M, P): F3F00H to F4309H

Caution 4. The internal RAM area in the following products cannot be used as the DTC control data area or DTC vector table area when using the on-chip debugging trace function.

R5F104xJ (x = A to C, E to G, J, L): FA300H to FA6FFH
R5F104xL (x = G, L, M, P): F4300H to F46FFH

19.5.2 Allocation of DTC Control Data Area and DTC Vector Table Area (Page 981)

Correct:

(Omitted)

• The internal RAM area in the following products cannot be used as the DTC control data area or DTC vector table area when using the self-programming and data-flash functions.

R5F104xD (x = A to C, E to G, J, L): FE900H to FED09H
 R5F104xE (x = A to C, E to G, J, L): FE900H to FED09H
 R5F104xJ (x = A to C, E to G, J, L): F9F00H to FA309H
R5F104xL (x = G, L, M, P): F3F00H to F4309H

• The internal RAM area in the following products cannot be used as the DTC control data area or DTC vector table area when using the on-chip debugging trace function.

R5F104xJ (x = A to C, E to G, J, L): FA300H to FA6FFH
R5F104xL (x = G, L, M, P): F4300H to F46FFH

• Initialize the DTRLD register to 00H even in normal mode when parity error resets are enabled (RPERDIS = 0) using the RAM parity error detection function.

27.3.6 Invalid memory access detection function (Page 1086)

Incorrect:

(Omitted)

Note The code flash memory, RAM, and lowest detection address of each product are as follows.

| Products | Code Flash Memory (00000H to xxxxxH) | RAM (zzzzzH to FFEFFH) | Lowest Detection Address (yyyyyH) when Reading/Fetching (Executing) Instructions |
|---------------------------------------|---|--|--|
| R5F104xA(x=A to C, E to G) | 16384 × 8 bits (00000H to 03FFFFH) | 2560 × 8 bit (FF500H to FFEFFH) | 10000H |
| R5F104xC(x=A to C,E to G,J,L) | 32768 × 8 bits (00000H to 07FFFFH) | 4096 × 8 bit (FEF00H to FFEFFH) | 10000H |
| R5F104xD(x=A to C,E to G,J,L) | 49152 × 8 bits (00000H to 0BFFFFH) | 5632 × 8 bit (FE900H to FFEFFH) | 10000H |
| R5F104xE(x=A to C,E to G,J,L) | 65536 × 8 bits (00000H to 0FFFFH) | 5632 × 8 bit (FE900H to FFEFFH) | 10000H |
| R5F104xF (x=A to C,E to G,J,L,M,P) | 98304 × 8 bits (00000H to 17FFFFH) | 12288 × 8 bit (FCF00H to FFEFFH) | 20000H |
| R5F104xG (x=A to C,E to G,J,L,M,P) | 131072 × 8 bits (00000H to 1FFFFH) | 16384 × 8 bit (FBF00H to FFEFFH) | 20000H |
| R5F104xH(x=E to G,J,L,M,P) | 196608 × 8 bits (00000H to 2FFFFH) | 20480 × 8 bit (FAF00H to FFEFFH) | 30000H |
| R5F104xJ(x=F,G,J,L,M,P) | 262144 × 8 bits (00000H to 3FFFFH) | 24576 × 8 bit (F9F00H to FFEFFH) | 40000H |
| R5F104xK(x=G,J,L,M,P) | 393216 × 8 bits (00000H to 5FFFFH) | 32768 × 8 bit (F7F00H to FFEFFH) | 60000H |
| R5F104xL(x=G,J,L,M,P) | 524688 × 8 bits (00000H to 7FFFFH) | 49152 × 8 bit (F3F00H to FFEFFH) | 80000H |

27.3.6 Invalid memory access detection function (Page 1086)

Correct:

(Omitted)

Note The code flash memory, RAM, and lowest detection address of each product are as follows.

| Products | Code Flash Memory (00000H to xxxxxH) | RAM (zzzzzH to FFEFFH) | Lowest Detection Address (yyyyyH) when Reading/Fetching (Executing) Instructions |
|---------------------------------------|---|--------------------------------------|--|
| R5F104xA(x=A to C, E to G) | 16384 × 8 bits (00000H to 03FFFFH) | 2560 × 8 bits (FF500H to FFEFFH) | 10000H |
| R5F104xC(x=A to C,E to G,J,L) | 32768 × 8 bits (00000H to 07FFFFH) | 4096 × 8 bits (FEF00H to FFEFFH) | 10000H |
| R5F104xD(x=A to C,E to G,J,L) | 49152 × 8 bits (00000H to 0BFFFFH) | 5632 × 8 bits (FE900H to FFEFFH) | 10000H |
| R5F104xE(x=A to C,E to G,J,L) | 65536 × 8 bits (00000H to 0FFFFH) | 5632 × 8 bits (FE900H to FFEFFH) | 10000H |
| R5F104xF (x=A to C,E to G,J,L,M,P) | 98304 × 8 bits (00000H to 17FFFFH) | 12288 × 8 bits (FCF00H to FFEFFH) | 20000H |
| R5F104xG (x=A to C,E to G,J,L,M,P) | 131072 × 8 bits (00000H to 1FFFFH) | 16384 × 8 bits (FBF00H to FFEFFH) | 20000H |
| R5F104xH(x=E to G,J,L,M,P) | 196608 × 8 bits (00000H to 2FFFFH) | 20480 × 8 bits (FAF00H to FFEFFH) | 30000H |
| R5F104xJ(x=F,G,J,L,M,P) | 262144 × 8 bits (00000H to 3FFFFH) | 24576 × 8 bits (F9F00H to FFEFFH) | 40000H |
| R5F104xK(x=G,L,M,P) | 393216 × 8 bits (00000H to 5FFFFH) | 32768 × 8 bits (F7F00H to FFEFFH) | 60000H |
| R5F104xL(x=G,L,M,P) | 524688 × 8 bits (00000H to 7FFFFH) | 49152 × 8 bits (F3F00H to FFEFFH) | 80000H |

31.3 Securing of User Resources (Page 1134)

Incorrect:

(Omitted)

Note 1. Address differs depending on products as follows.

| Products (code flash memory capacity) | Address of Note 1. |
|---|--------------------|
| R5F104xA (x = A to C, E to G) | 03FFFFH |
| R5F104xC (x = A to C, E to G, J, L) | 07FFFFH |
| R5F104xD (x = A to C, E to G, J, L) | 0BFFFFH |
| R5F104xE (x = A to C, E to G, J, L) | 0FFFFH |
| R5F104xF (x = A to C, E to G, J, L, M, P) | 17FFFFH |
| R5F104xG (x = A to C, E to G, J, L, M, P) | 1FFFFH |
| R5F104xH (x = E to G, J, L, M, P) | 2FFFFH |
| R5F104xJ (x = F, G, J, L, M, P) | 3FFFFH |
| R5F104xK (x = G, J, L, M, P) | 5FFFFH |
| R5F104xL (x = G, J, L, M, P) | 7FFFFH |

(Omitted)

36.7 52-pin products (Page 1304)

Incorrect:

R5F104JCAFA, R5F104JDAFA, R5F104JEAFA, R5F104JFAFA, R5F104JGAFA,
 R5F104JHAFA, R5F104JJFAFA
 R5F104JCDAFA, R5F104JDDFA, R5F104JEDFA, R5F104JFDFA, R5F104JGDFA,
 R5F104JHDAFA, R5F104JJDAFA
 R5F104JCGFA, R5F104JDGFA, R5F104JEGFA, R5F104JFGFA, R5F104JGGFA,
 R5F104JHGFA, R5F104JJGFA
~~R5F104JGKFA, R5F104JLFA~~
~~R5F104JLFA, R5F104JLFA~~

(Omitted)

31.3 Securing of User Resources (Page 1134)

Correct:

(Omitted)

Note 1. Address differs depending on products as follows.

| Products (code flash memory capacity) | Address of Note 1. |
|---|--------------------|
| R5F104xA (x = A to C, E to G) | 03FFFFH |
| R5F104xC (x = A to C, E to G, J, L) | 07FFFFH |
| R5F104xD (x = A to C, E to G, J, L) | 0BFFFFH |
| R5F104xE (x = A to C, E to G, J, L) | 0FFFFH |
| R5F104xF (x = A to C, E to G, J, L, M, P) | 17FFFFH |
| R5F104xG (x = A to C, E to G, J, L, M, P) | 1FFFFH |
| R5F104xH (x = E to G, J, L, M, P) | 2FFFFH |
| R5F104xJ (x = F, G, J, L, M, P) | 3FFFFH |
| R5F104xK (x = G, L, M, P) | 5FFFFH |
| R5F104xL (x = G, L, M, P) | 7FFFFH |

(Omitted)

36.7 52-pin products (Page 1304)

Correct:

R5F104JCAFA, R5F104JDAFA, R5F104JEAFA, R5F104JFAFA, R5F104JGAFA,
 R5F104JHAFA, R5F104JJFAFA
 R5F104JCDAFA, R5F104JDDFA, R5F104JEDFA, R5F104JFDFA, R5F104JGDFA,
 R5F104JHDAFA, R5F104JJDAFA
 R5F104JCGFA, R5F104JDGFA, R5F104JEGFA, R5F104JFGFA, R5F104JGGFA,
 R5F104JHGFA, R5F104JJGFA

(Omitted)

6. **6.3.3 Timer mode register mn (TMRmn)**
Figure 6 - 12 the count clock selection (Page 303)

Incorrect:

Figure 6 - 12 Format of Timer mode register mn (TMRmn) (1/4)

Address: F0190H, F0191H (TMR00) to F0196H, F0197H (TMR03), After reset: 0000H R/W
 F01D0H, F01D1H (TMR10) to F01D6H, F01D7H (TMR13)

| | | | | | | | | | | | | | | | | |
|----------------|------------|------------|----|-----------|--------------|------------|------------|------------|------------|------------|---|---|-----------|-----------|-----------|-----------|
| Symbol | 15 | 14 | 13 | 12 | 11 | 10 | 9 | 8 | 7 | 6 | 5 | 4 | 3 | 2 | 1 | 0 |
| TMRmn (n=2) | CKS mn1 | CKS mn0 | 0 | CCS mn | MAS TERmn | STS mn2 | STS mn1 | STS mn0 | CIS mn1 | CIS mn0 | 0 | 0 | MD mn3 | MD mn2 | MD mn1 | MD mn0 |

(Omitted)

| | |
|--|---|
| CCS mn | Selection of count clock (f_{TCLK}) of channel n |
| 0 | Operation clock (f_{MCK}) specified by the CKSmn0 and CKSmn1 bits |
| 1 | Valid edge of input signal input from the TImn pin |
| Count clock (f_{TCLK}) is used for the counter, output controller, and interrupt controller. | |

(Omitted)

Correct:

Figure 6 - 12 Format of Timer mode register mn (TMRmn) (1/4)

Address: F0190H, F0191H (TMR00) to F0196H, F0197H (TMR03), After reset: 0000H R/W
 F01D0H, F01D1H (TMR10) to F01D6H, F01D7H (TMR13)

| | | | | | | | | | | | | | | | | |
|----------------|------------|------------|----|-----------|--------------|------------|------------|------------|------------|------------|---|---|-----------|-----------|-----------|-----------|
| Symbol | 15 | 14 | 13 | 12 | 11 | 10 | 9 | 8 | 7 | 6 | 5 | 4 | 3 | 2 | 1 | 0 |
| TMRmn (n=2) | CKS mn1 | CKS mn0 | 0 | CCS mn | MAS TERmn | STS mn2 | STS mn1 | STS mn0 | CIS mn1 | CIS mn0 | 0 | 0 | MD mn3 | MD mn2 | MD mn1 | MD mn0 |

(Omitted)

| | |
|--|--|
| CCS mn | Selection of count clock (f_{TCLK}) of channel n |
| 0 | Operation clock (f_{MCK}) specified by the CKSmn0 and CKSmn1 bits |
| 1 | Valid edge of input signal input from the TImn pin When using unit 0: In channel 0, Valid edge of input signal selected by TIS0 In channel 1, Valid edge of input signal selected by TIS0 In channel 3, Valid edge of input signal selected by ISC |
| Count clock (f_{TCLK}) is used for the counter, output controller, and interrupt controller. | |

(Omitted)

7. 17.3.12 Serial output register m (SOm)

Figure 17 - 19 Reset value of serial output register m (SOm) (Page 708)

Incorrect:

Figure 17 - 19 Format of Serial output register m (SOm)

Address: F0128H, F0129H After reset: 0F0FH R/W

| | | | | | | | | | | | | | | | | |
|--------|----|----|----|----|-----------|-----------|-----------|-----------|---|---|---|---|----------|----------|----------|----------|
| Symbol | 15 | 14 | 13 | 12 | 11 | 10 | 9 | 8 | 7 | 6 | 5 | 4 | 3 | 2 | 1 | 0 |
| SO0 | 0 | 0 | 0 | 0 | CKO 03 | CKO 02 | CKO 01 | CKO 00 | 0 | 0 | 0 | 0 | SO 03 | SO 02 | SO 01 | SO 00 |

Address: F0168H, F0169H After reset: 0F0FH ^{Note} R/W

| | | | | | | | | | | | | | | | | |
|--------|----|----|----|----|-----------|-----------|-----------|-----------|---|---|---|---|----------|----------|----------|----------|
| Symbol | 15 | 14 | 13 | 12 | 11 | 10 | 9 | 8 | 7 | 6 | 5 | 4 | 3 | 2 | 1 | 0 |
| SO1 | 0 | 0 | 0 | 0 | CKO 13 | CKO 12 | CKO 11 | CKO 10 | 0 | 0 | 0 | 0 | SO 13 | SO 12 | SO 11 | SO 10 |

(Omitted)

Note The register value becomes **3030H** after a reset for the 30 to 64-pin products.

(Omitted)

Correct:

Figure 17 - 19 Format of Serial output register m (SOm)

Address: F0128H, F0129H After reset: 0F0FH R/W

| | | | | | | | | | | | | | | | | |
|--------|----|----|----|----|-----------|-----------|-----------|-----------|---|---|---|---|----------|----------|----------|----------|
| Symbol | 15 | 14 | 13 | 12 | 11 | 10 | 9 | 8 | 7 | 6 | 5 | 4 | 3 | 2 | 1 | 0 |
| SO0 | 0 | 0 | 0 | 0 | CKO 03 | CKO 02 | CKO 01 | CKO 00 | 0 | 0 | 0 | 0 | SO 03 | SO 02 | SO 01 | SO 00 |

Address: F0168H, F0169H After reset: 0F0FH ^{Note} R/W

| | | | | | | | | | | | | | | | | |
|--------|----|----|----|----|-----------|-----------|-----------|-----------|---|---|---|---|----------|----------|----------|----------|
| Symbol | 15 | 14 | 13 | 12 | 11 | 10 | 9 | 8 | 7 | 6 | 5 | 4 | 3 | 2 | 1 | 0 |
| SO1 | 0 | 0 | 0 | 0 | CKO 13 | CKO 12 | CKO 11 | CKO 10 | 0 | 0 | 0 | 0 | SO 13 | SO 12 | SO 11 | SO 10 |

(Omitted)

Note The register value becomes **0303H** after a reset for the 30 to 64-pin products.

(Omitted)

8. 19.5.3 DTC Pending Instruction (Page 982)

Incorrect:

(Omitted)

Even if a DTC transfer request is generated, DTC transfer is held pending immediately after the following instructions. Also, the DTC is not activated between PREFIX instruction code and the instruction immediately after that code.

- Call/return instruction
- Unconditional branch instruction
- Conditional branch instruction
- Read access instruction for code flash memory
- Bit manipulation instructions for IFxx, MKxx, PRxx, and PSW, and an 8-bit manipulation instruction that has the ES register as operand
- Instruction for accessing the data flash memory

Caution 1. When a DTC transfer request is acknowledged, all interrupt requests are held pending until DTC transfer is completed.

Caution 2. While the DTC is held pending by the DTC pending instruction, all interrupt requests are held pending.

Correct:

(Omitted)

Even if a DTC transfer request is generated, DTC transfer is held pending immediately after the following instructions. Also, the DTC is not activated between PREFIX instruction code and the instruction immediately after that code.

- Call/return instruction
- Unconditional branch instruction
- Conditional branch instruction
- Read access instruction for code flash memory
- Bit manipulation instructions for IFxx, MKxx, PRxx, and PSW, and an 8-bit manipulation instruction that has the ES register as operand
- Instruction for accessing the data flash memory
- Instruction of Multiply, Divide, Multiply & Accumulate (excluding MULU)

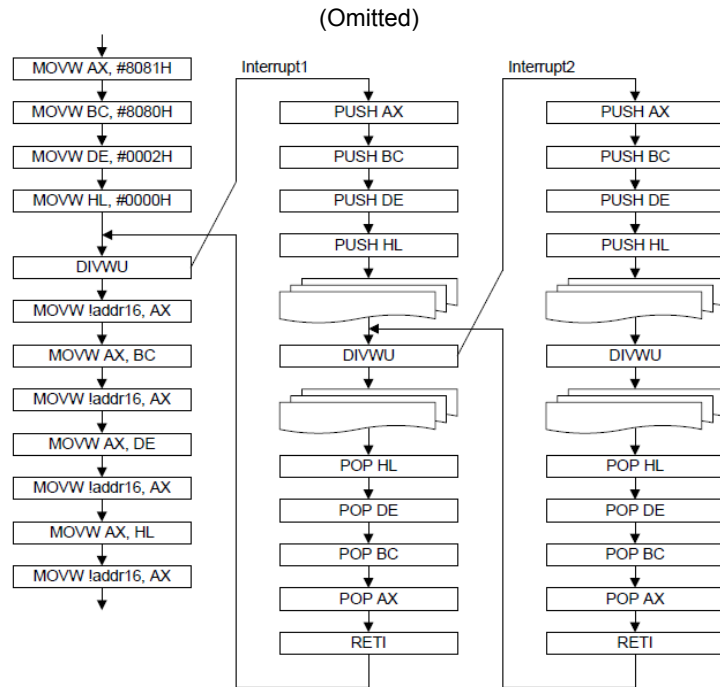
Caution 1. When a DTC transfer request is acknowledged, all interrupt requests are held pending until DTC transfer is completed.

Caution 2. While the DTC is held pending by the DTC pending instruction, all interrupt requests are held pending.

9. 21.4.4 Interrupt servicing during division instruction (Page 1021)

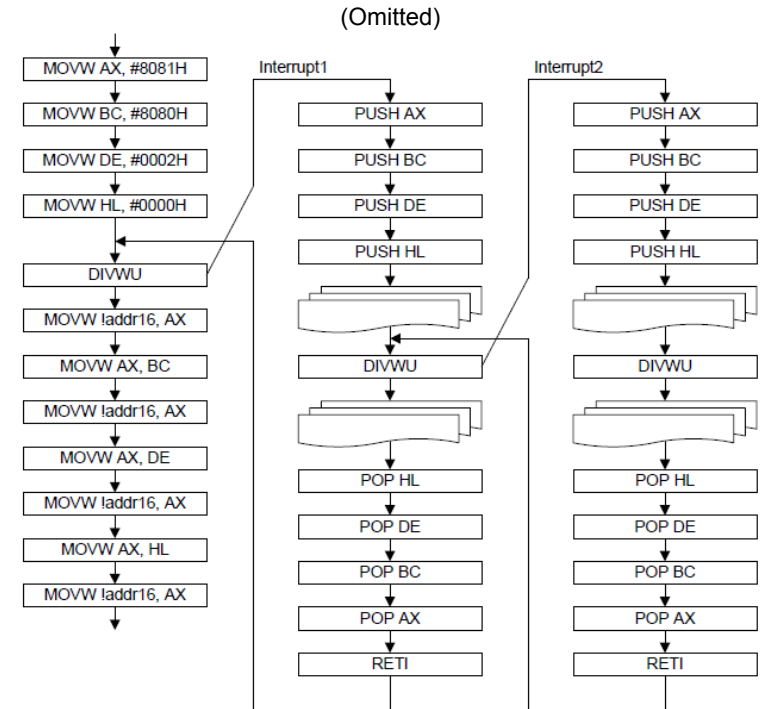
Incorrect:

The RL78/G14 handles interrupts during the DIVHU/DIVWU instruction in order to enhance the interrupt response when a division instruction is executed.



Correct:

The RL78/G14 handles interrupts during the DIVHU/DIVWU instruction in order to enhance the interrupt response when a division instruction is executed.



Caution Disable interrupts when executing the DIVHU or DIVWU instruction in an interrupt servicing routine.

Alternatively, unless they are executed in the RAM area, note that execution of a DIVHU or DIVWU instruction is possible even with interrupts enabled as long as a NOP instruction is added immediately after the DIVHU or DIVWU instruction in the assembly language source code. The following compilers automatically add a NOP instruction immediately after any DIVHU or DIVWU instruction output during the build process.

- V. 1.71 and later versions of the CA78K0R (Renesas Electronics compiler), for both C and assembly language source code
- Service pack 1.40.6 and later versions of the EWRL78 (IAR compiler), for C language source code
- GNURL78 (KPIT compiler), for C language source code

10. 21.4.5 Interrupt request hold (Page 1022)

Incorrect:

There are instructions where, even if an interrupt request is issued while the instructions are being executed, interrupt request acknowledgment is held pending until the end of execution of the next instruction. These instructions (interrupt request hold instructions) are listed below.

- MOV PSW, #byte
- MOV PSW, A
- MOV1 PSW. bit, CY
- SET1 PSW. bit
- CLR1 PSW. bit
- RETB
- RETI
- POP PSW
- BTCLR PSW. bit, \$addr20
- EI
- DI
- SKC
- SKNC
- SKZ
- SKNZ
- SKH
- SKNH
- Write instructions for the IF0L, IF0H, IF1L, IF1H, IF2L, IF2H, MK0L, MK0H, MK1L, MK1H, MK2L, MK2H, PR00L, PR00H, PR01L, PR01H, PR02L, PR02H, PR10L, PR10H, PR11L, PR11H, PR12L, and PR12H registers

Correct:

There are instructions where, even if an interrupt request is issued while the instructions are being executed, interrupt request acknowledgment is held pending until the end of execution of the next instruction. These instructions (interrupt request hold instructions) are listed below.

- MOV PSW, #byte
- MOV PSW, A
- MOV1 PSW. bit, CY
- SET1 PSW. bit
- CLR1 PSW. bit
- RETB
- RETI
- POP PSW
- BTCLR PSW. bit, \$addr20
- EI
- DI
- SKC
- SKNC
- SKZ
- SKNZ
- SKH
- SKNH
- MULHU
- MULH
- MACHU
- MACH
- Write instructions for the IF0L, IF0H, IF1L, IF1H, IF2L, IF2H, MK0L, MK0H, MK1L, MK1H, MK2L, MK2H, PR00L, PR00H, PR01L, PR01H, PR02L, PR02H, PR10L, PR10H, PR11L, PR11H, PR12L, and PR12H registers

11. 33.2 Operation List (Page 1153)

Incorrect:

Table 33 - 16 Operation List (12/18)

(Omitted)

Note 1. Number of CPU clocks (f_{CLK}) when the internal RAM area, SFR area, or extended SFR area is accessed, or when no data is accessed.

Note 2. Number of CPU clocks (f_{CLK}) when the code flash memory is accessed, or when the data flash memory is accessed by an 8-bit instruction.

Remark 1. Number of clock is when program exists in the internal ROM (flash memory) area. If fetching the instruction from the internal RAM area, the number becomes double number plus 3 clocks at a maximum.

Remark 2. MACR indicates the multiplication and accumulation register (MACRH, MACRL).

Correct:

Table 33 - 16 Operation List (12/18)

(Omitted)

Note 1. Number of CPU clocks (f_{CLK}) when the internal RAM area, SFR area, or extended SFR area is accessed, or when no data is accessed.

Note 2. Number of CPU clocks (f_{CLK}) when the code flash memory is accessed, or when the data flash memory is accessed by an 8-bit instruction.

Remark 1. Number of clock is when program exists in the internal ROM (flash memory) area. If fetching the instruction from the internal RAM area, the number becomes double number plus 3 clocks at a maximum.

Remark 2. MACR indicates the multiplication and accumulation register (MACRH, MACRL).

Caution Disable interrupts when executing the DIVHU or DIVWU instruction in an interrupt servicing routine.

Alternatively, unless they are executed in the RAM area, note that execution of a DIVHU or DIVWU instruction is possible even with interrupts enabled as long as a NOP instruction is added immediately after the DIVHU or DIVWU instruction in the assembly language source code. The following compilers automatically add a NOP instruction immediately after any DIVHU or DIVWU instruction output during the build process.

- V. 1.71 and later versions of the CA78K0R (Renesas Electronics compiler), for both C and assembly language source code
- Service pack 1.40.6 and later versions of the EWRL78 (IAR compiler), for C language source code
- GNURL78 (KPIT compiler), for C language source code