

RA9460

Wireless Power Transmitter Analog Front End IC

The RA9460 is a highly-integrated magnetic induction wireless transmitter power stage that supports over 15W of power delivery to a Qi Power Receiver (PRx), and can deliver more than 60W of power with proprietary PRx solutions. The RA9460 works seamlessly with the Renesas RA2E1 MCU family. Precision input current sensing, internal QFOD detection, and bi-directional communication provide for a secure and safe wireless charging experience.

The RA9460 includes an efficient finite state machine for configuration, execution of high-bandwidth tasks (such as Auto-ZVS and QFOD), and uses an external MCU for command and control of the RA9460's wireless power transfer. The device includes advanced wireless power circuitry such as wide input voltage range operation, high voltage coil MUX control, a phase demodulation signal generator, and auto zeroing input current monitoring. These signals are processed in the RA9460 and then sent to the host MCU's ADC for FOD, ASK Demodulation, and other tasks related to a wireless power transfer.

In addition, the RA9460 incorporates a USB BCS 1.2 PHY that supports many proprietary Travel Adapter Control Methodologies, and an I<sup>2</sup>C interface to read or send data, information, and fault conditions to the host MCU. This standard device is compliant to the WPC-1.3 specification.

The RA9460 is available in a space-saving 32-VFQFPN 4 x 4 package.

Features

- Power stage for Qi power transmitters
  - WPC 1.3 compliant EPP 15 W charging
  - Proprietary high-speed charging of > 60W
  - Uses external MCU for command and control
  - Recommended for use with Renesas MCU
- Qi compliant bi-directional communication
  - FSK modulation and ASK demodulation
- VIN range of 4.5V to 30V
- Two integrated half-bridge MOSFET drivers
- 4x high-voltage coil MUX control outputs
- Multiple PWM inputs for duty and phase shift operation
- ZVS optimizing MOSFET drivers for low EMI operation
- Precision input current sensing amplifier
- Current and Phase ASK demodulation outputs
- Integrated Q-FOD circuitry
  - For improved Foreign Object Detection
- System efficiency > 90% with select Renesas PRx ICs
- I<sup>2</sup>C Interface for connection Supervisor MCU
- GPIOs for temperature monitoring and system Control
- DP/DM for USB BCS 1.2+ proprietary extensions
- 3.3V LDO output for MCU power
- 5V GPIOs for TTL compatibility
- Package: 4 x 4-32-VFQFPN

Applications

- WPC compliant wireless charging base stations
  - Charging mats or pads
  - Docking cradles
  - Generic consumer electronics
- Custom/proprietary wireless charging base stations
  - Drone/automation equipment
  - Hermitical sealed equipment and tools

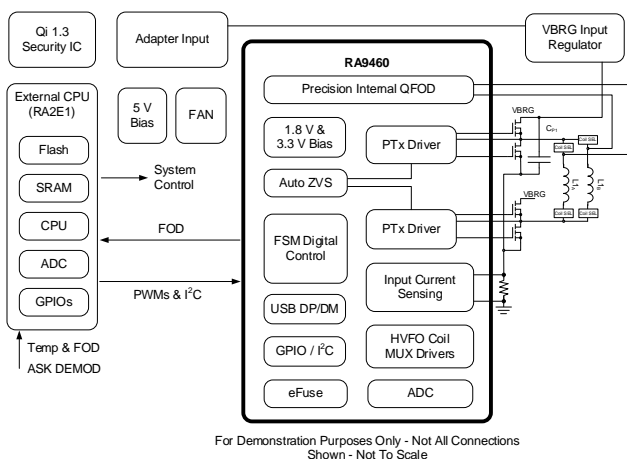


Figure 1. Simplified Application Circuit

## IMPORTANT NOTICE AND DISCLAIMER

RENESAS ELECTRONICS CORPORATION AND ITS SUBSIDIARIES (“RENESAS”) PROVIDES TECHNICAL SPECIFICATIONS AND RELIABILITY DATA (INCLUDING DATASHEETS), DESIGN RESOURCES (INCLUDING REFERENCE DESIGNS), APPLICATION OR OTHER DESIGN ADVICE, WEB TOOLS, SAFETY INFORMATION, AND OTHER RESOURCES “AS IS” AND WITH ALL FAULTS, AND DISCLAIMS ALL WARRANTIES, EXPRESS OR IMPLIED, INCLUDING, WITHOUT LIMITATION, ANY IMPLIED WARRANTIES OF MERCHANTABILITY, FITNESS FOR A PARTICULAR PURPOSE, OR NON-INFRINGEMENT OF THIRD-PARTY INTELLECTUAL PROPERTY RIGHTS.

These resources are intended for developers who are designing with Renesas products. You are solely responsible for (1) selecting the appropriate products for your application, (2) designing, validating, and testing your application, and (3) ensuring your application meets applicable standards, and any other safety, security, or other requirements. These resources are subject to change without notice. Renesas grants you permission to use these resources only to develop an application that uses Renesas products. Other reproduction or use of these resources is strictly prohibited. No license is granted to any other Renesas intellectual property or to any third-party intellectual property. Renesas disclaims responsibility for, and you will fully indemnify Renesas and its representatives against, any claims, damages, costs, losses, or liabilities arising from your use of these resources. Renesas' products are provided only subject to Renesas' Terms and Conditions of Sale or other applicable terms agreed to in writing. No use of any Renesas resources expands or otherwise alters any applicable warranties or warranty disclaimers for these products.

(Disclaimer Rev.1.01 Jan 2024)

### Corporate Headquarters

TOYOSU FORESIA, 3-2-24 Toyosu,  
Koto-ku, Tokyo 135-0061, Japan  
[www.renesas.com](http://www.renesas.com)

### Trademarks

Renesas and the Renesas logo are trademarks of Renesas Electronics Corporation. All trademarks and registered trademarks are the property of their respective owners.

### Contact Information

For further information on a product, technology, the most up-to-date version of a document, or your nearest sales office, please visit [www.renesas.com/contact-us/](http://www.renesas.com/contact-us/).