

P9418

60W Wireless Power Receiver with WattShare™ TRx Mode

The P9418 is a highly-integrated single-chip wireless power transmitter/receiver IC (TRx). The device configures to transmit or receive an AC power signal through magnetic induction.

As a wireless power transmitter, the P9418 features an on-chip full/half-bridge inverter, a pulse-width modulation (PWM) generator, a modulator/demodulator for communication, and a microcontroller to produce an AC power signal to drive an external L-C tank. As a receiver, the device receives an AC power signal from a wireless transmitter and converts it to a rectified output voltage, which can power devices or supply the charger input in mobile applications. For optimized power delivery, the P9418 integrates a high-efficiency Synchronous Full Bridge Rectifier and control circuitry that modulates the load to send message packets to the Transmitter (Tx).

The P9418 features multiple-time programmable (MTP) non-volatile memory to easily update control firmware and device functions.

Also, the device includes over-temperature and voltage protection. Fault conditions associated with power transfer are managed by an industry-leading 32-bit ARM® Cortex®-M0 processor that offers a high level of programmability while consuming extremely low standby power. The processor also controls GPIOs to indicate operating and fault modes.

The P9418 is available in an ultra-small 70-WLCSP package.

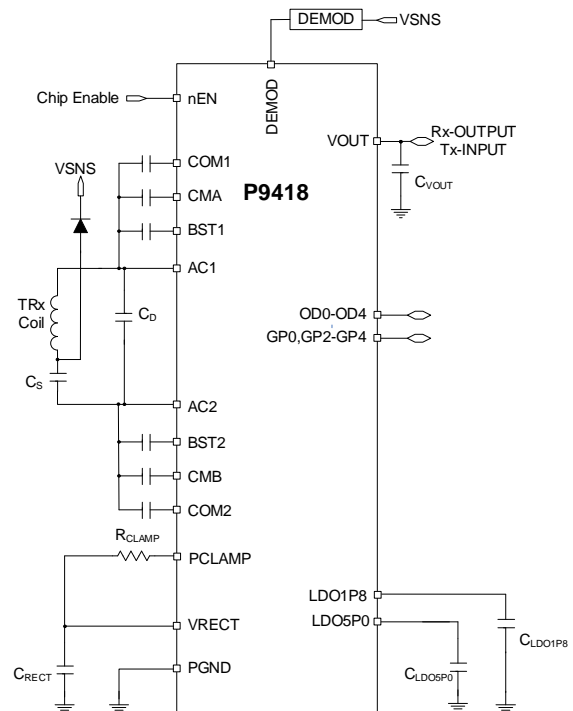
Applications

- Wireless power solution for mobile applications

Features

- Single-chip WPC medium power wireless solution
- 24kB Multiple-time programmable (MTP) non-volatile memory for expanded feature support
- WPC 1.2.4 compliant and WPC 1.3+ compatible
- Delivers up to 60W as a receiver
- WattShare™ TRx mode with up to 10W Tx capability
- Embedded 32-bit ARM® Cortex®-M0 processor
- Reliable overvoltage clamping
- Proprietary Rx-to-Tx modulation/demodulation for two-way communication
- High-performance LDO
- Tx-to-Rx (backchannel) communication
- Supports proprietary mode magnetic induction wireless power solutions
- Supports I²C 400kHz standard interface and GPIOs
- Package: 7 × 10-ball array, 2.82 × 4.22 × 0.50 mm, 70-WLCSP with 0.40mm ball pitch

Typical Application Diagram



IMPORTANT NOTICE AND DISCLAIMER

RENESAS ELECTRONICS CORPORATION AND ITS SUBSIDIARIES (“RENESAS”) PROVIDES TECHNICAL SPECIFICATIONS AND RELIABILITY DATA (INCLUDING DATASHEETS), DESIGN RESOURCES (INCLUDING REFERENCE DESIGNS), APPLICATION OR OTHER DESIGN ADVICE, WEB TOOLS, SAFETY INFORMATION, AND OTHER RESOURCES “AS IS” AND WITH ALL FAULTS, AND DISCLAIMS ALL WARRANTIES, EXPRESS OR IMPLIED, INCLUDING, WITHOUT LIMITATION, ANY IMPLIED WARRANTIES OF MERCHANTABILITY, FITNESS FOR A PARTICULAR PURPOSE, OR NON-INFRINGEMENT OF THIRD PARTY INTELLECTUAL PROPERTY RIGHTS.

These resources are intended for developers skilled in the art designing with Renesas products. You are solely responsible for (1) selecting the appropriate products for your application, (2) designing, validating, and testing your application, and (3) ensuring your application meets applicable standards, and any other safety, security, or other requirements. These resources are subject to change without notice. Renesas grants you permission to use these resources only for development of an application that uses Renesas products. Other reproduction or use of these resources is strictly prohibited. No license is granted to any other Renesas intellectual property or to any third party intellectual property. Renesas disclaims responsibility for, and you will fully indemnify Renesas and its representatives against, any claims, damages, costs, losses, or liabilities arising out of your use of these resources. Renesas' products are provided only subject to Renesas' Terms and Conditions of Sale or other applicable terms agreed to in writing. No use of any Renesas resources expands or otherwise alters any applicable warranties or warranty disclaimers for these products.

(Disclaimer Rev.1.0 Mar 2020)

Corporate Headquarters

TOYOSU FORESIA, 3-2-24 Toyosu,
Koto-ku, Tokyo 135-0061, Japan
www.renesas.com

Contact Information

For further information on a product, technology, the most up-to-date version of a document, or your nearest sales office, please visit:
www.renesas.com/contact/

Trademarks

Renesas and the Renesas logo are trademarks of Renesas Electronics Corporation. All trademarks and registered trademarks are the property of their respective owners.